

US00D969799S

(12) **United States Design Patent**
Lin et al.

(10) **Patent No.:** **US D969,799 S**

(45) **Date of Patent:** **** Nov. 15, 2022**

(54) **NOTEBOOK COMPUTER HAVING
MULTIPLE DISPLAYS AND DUAL
SPEAKERS**

Primary Examiner — Kathleen L Jones
Assistant Examiner — Cole Sanders Holman
(74) *Attorney, Agent, or Firm* — JCIPRNET

(71) Applicant: **Acer Incorporated**, New Taipei (TW)

(72) Inventors: **Cheng-Han Lin**, New Taipei (TW);
Pao-Ching Huang, New Taipei (TW);
Hung-Chi Chen, New Taipei (TW)

(73) Assignee: **Acer Incorporated**, New Taipei (TW)

(**) Term: **15 Years**

(21) Appl. No.: **29/763,959**

(22) Filed: **Dec. 28, 2020**

(30) **Foreign Application Priority Data**

Jul. 10, 2020 (TW) 109303762

(51) **LOC (13) Cl.** **14-02**

(52) **U.S. Cl.**
USPC **D14/316; D14/327; D14/373**

(58) **Field of Classification Search**
USPC D14/315–327, 331, 333, 334, 335,
D14/338–340, 371, 388, 390, 391, 392,
(Continued)

(56) **References Cited**

U.S. PATENT DOCUMENTS

D734,318 S * 7/2015 Lee D14/315
D895,609 S * 9/2020 Berry D14/315
(Continued)

OTHER PUBLICATIONS

Razer Project Valerie. Razer, slashgear.com (online) 19 pages.
Posted Jan. 5, 2017. [Retrieved Jun. 23, 2022] <https://www.slashgear.com/razer-project-valerie-hands-on-3-screen-gaming-concept-05470383> (Year: 2017).*

(Continued)

(57) **CLAIM**

The ornamental design for a notebook computer having multiple displays and dual speakers, as shown and described.

DESCRIPTION

FIG. 1 is a perspective view of a notebook computer having multiple displays and dual speakers showing our new design;

FIG. 2 is another perspective view thereof;

FIG. 3 is another perspective view thereof;

FIG. 4 is another perspective view thereof;

FIG. 5 is a front view thereof;

FIG. 6 is a rear view thereof;

FIG. 7 is a left side view thereof;

FIG. 8 is a right side view thereof;

FIG. 9 is a top view thereof;

FIG. 10 is a bottom view thereof;

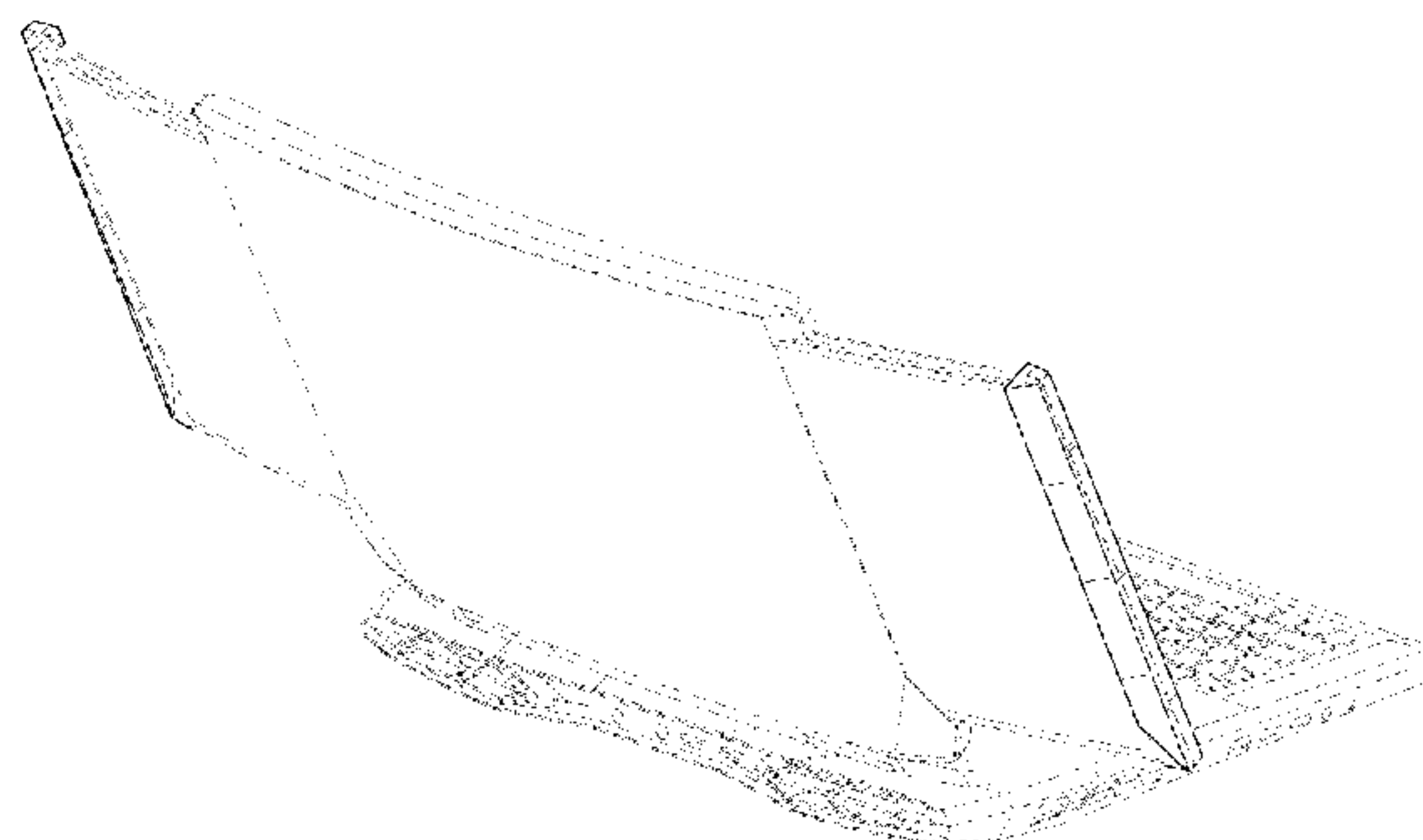
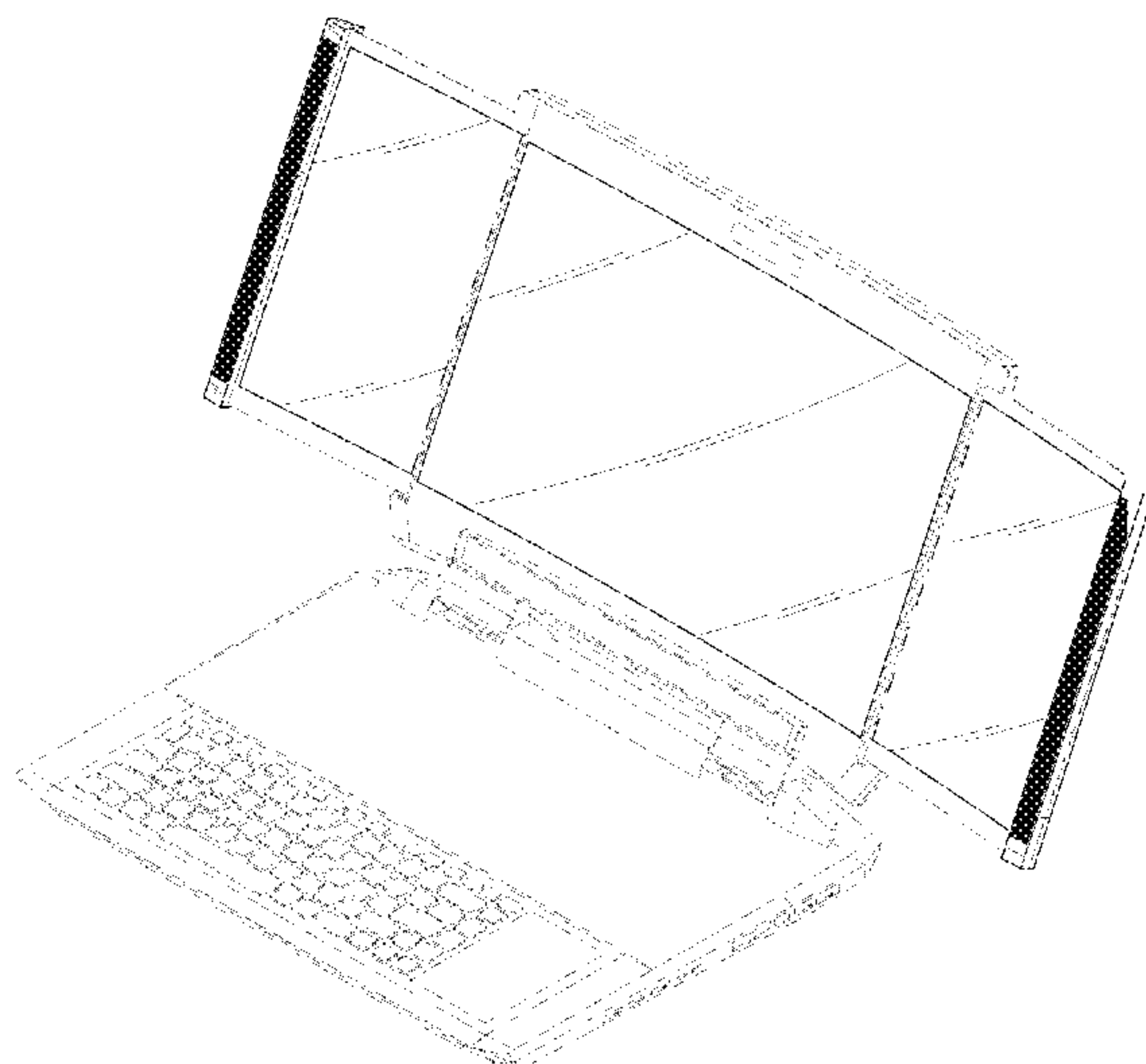
FIG. 11 is a perspective view thereof showing the notebook computer in a closed status;

FIG. 12 is an enlarged view of the portion, labeled '12' of FIG. 5; and,

FIG. 13 is an enlarged view of the portion, labeled '13' of FIG. 5.

The broken lines illustrate portions of the notebook computer having multiple displays and dual speakers that form no part of the claimed design. The dot-dash broken lines define the bounds of the claimed design and form no part thereof. The dot-dot-dash lines illustrate portions of the notebook computer having multiple displays and dual speakers that are enlarged for clarity of illustration and form no part of the claimed design.

1 Claim, 12 Drawing Sheets



(58) **Field of Classification Search**

USPC D14/394, 396, 399, 432, 433, 454, 455,
D14/471, 203.1, 203.7, 341, 356, 488,
D14/239, 125, 126, 129, 135, 374, 380,
D14/448, 306, 336, 373; D18/1, 4.3, 4.5,
D18/7, 11, 12, 12.2, 12.3
CPC G06F 1/16; G06F 1/1601; G06F 1/1605;
G06F 1/1607; G06F 1/1613; G06F
1/1616; G06F 1/1618; G06F 1/162; G06F
1/1622; G06F 1/1624; G06F 1/1626;
G06F 1/1628; G06F 1/1633; G06F
1/1637; G06F 1/1641; G06F 1/1643;
G06F 1/1647; G06F 1/1649; G06F 1/165;
G06F 1/1652; G06F 1/1654; G06F
1/1656; G06F 1/1662; G06F 1/1664;
G06F 1/1666; G06F 1/1667; G06F
1/1669; G06F 1/1671; G06F 1/1675;
G06F 1/1681; G06F 1/1686; G06F
1/1688; G06F 1/169; G06F 1/1692; G06F
1/181; H05K 5/0017; H05K 5/03; H05K
5/0052; H05K 5/0069; H05K 5/0217;
H05K 5/0239; H05K 5/0249; H05K
5/0247; H05K 5/003; H04B 1/3888;
H04M 1/0202; H04M 1/021; H04M
1/0212; H04M 1/0279; H04M 1/0281;

H04M 1/0283

See application file for complete search history.

(56)

References Cited

U.S. PATENT DOCUMENTS

10,817,020 B1 * 10/2020 DeMaio G06F 3/1423
D923,617 S * 6/2021 Wu D14/315
11,055,053 B2 * 7/2021 Mori G06F 3/1454
D948,501 S * 4/2022 Lin D14/327
2005/0232451 A1 * 10/2005 Peng H04R 5/02
381/388
2006/0082518 A1 * 4/2006 Ram G06F 1/1635
345/1.1
2011/0298690 A1 * 12/2011 Reilly G06F 1/1649
345/1.1
2022/0019263 A1 * 1/2022 Sun G06F 1/1616
2022/0129038 A1 * 4/2022 Chen G06F 1/1601
2022/0147098 A1 * 5/2022 Stewart G06F 1/165

OTHER PUBLICATIONS

Asus Seriously Unusual Laptop. Asus, core77.com (online) 11
pages. Posted Nov. 10, 2010. [Retrieved Jun. 23, 2022] <https://www.core77.com/posts/17822/asus-seriously-unusual-laptop-design-is-for-someone-with-a-big-ass-lap-17822> (Year: 2010).*

* cited by examiner

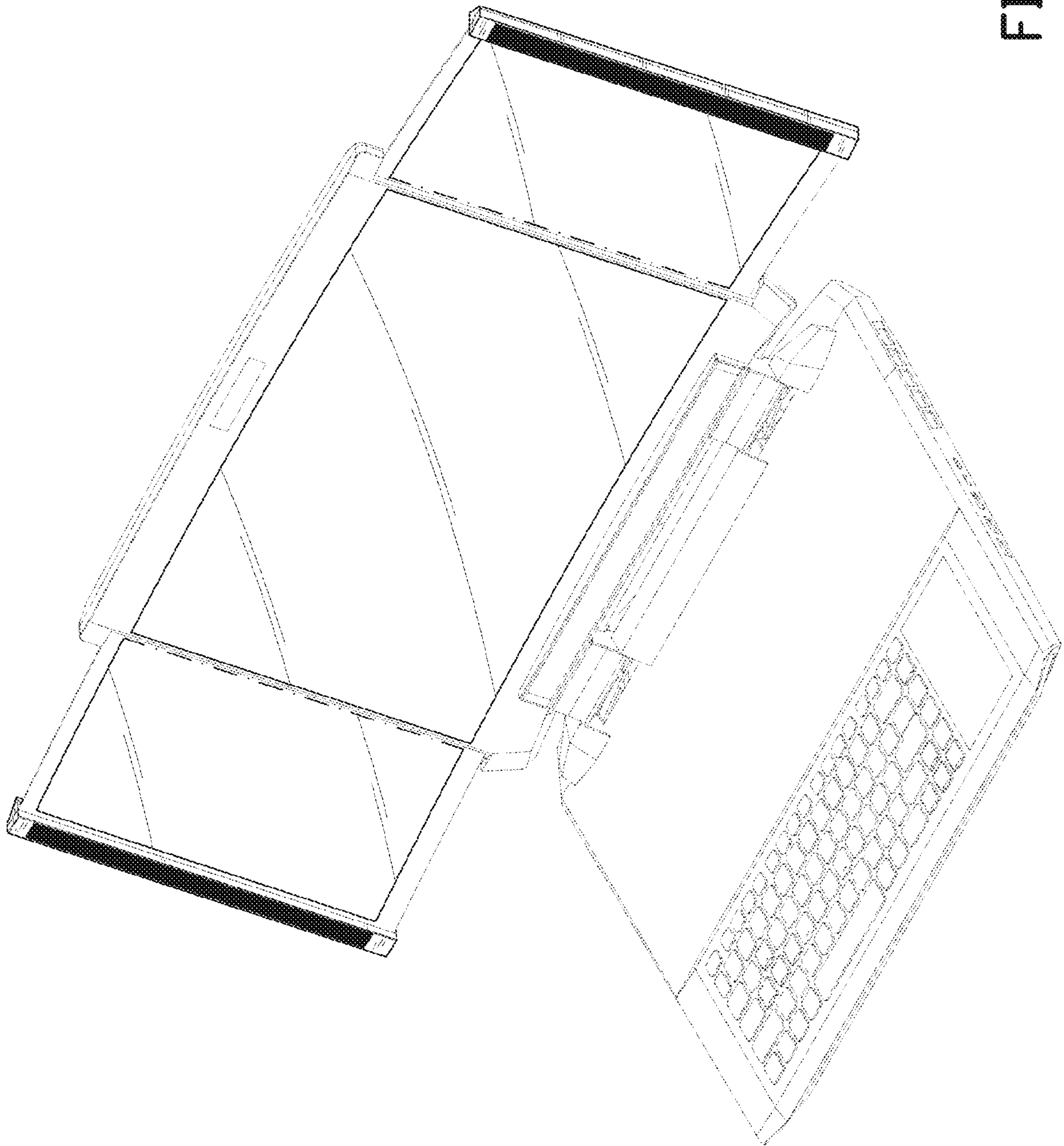


FIG. 1

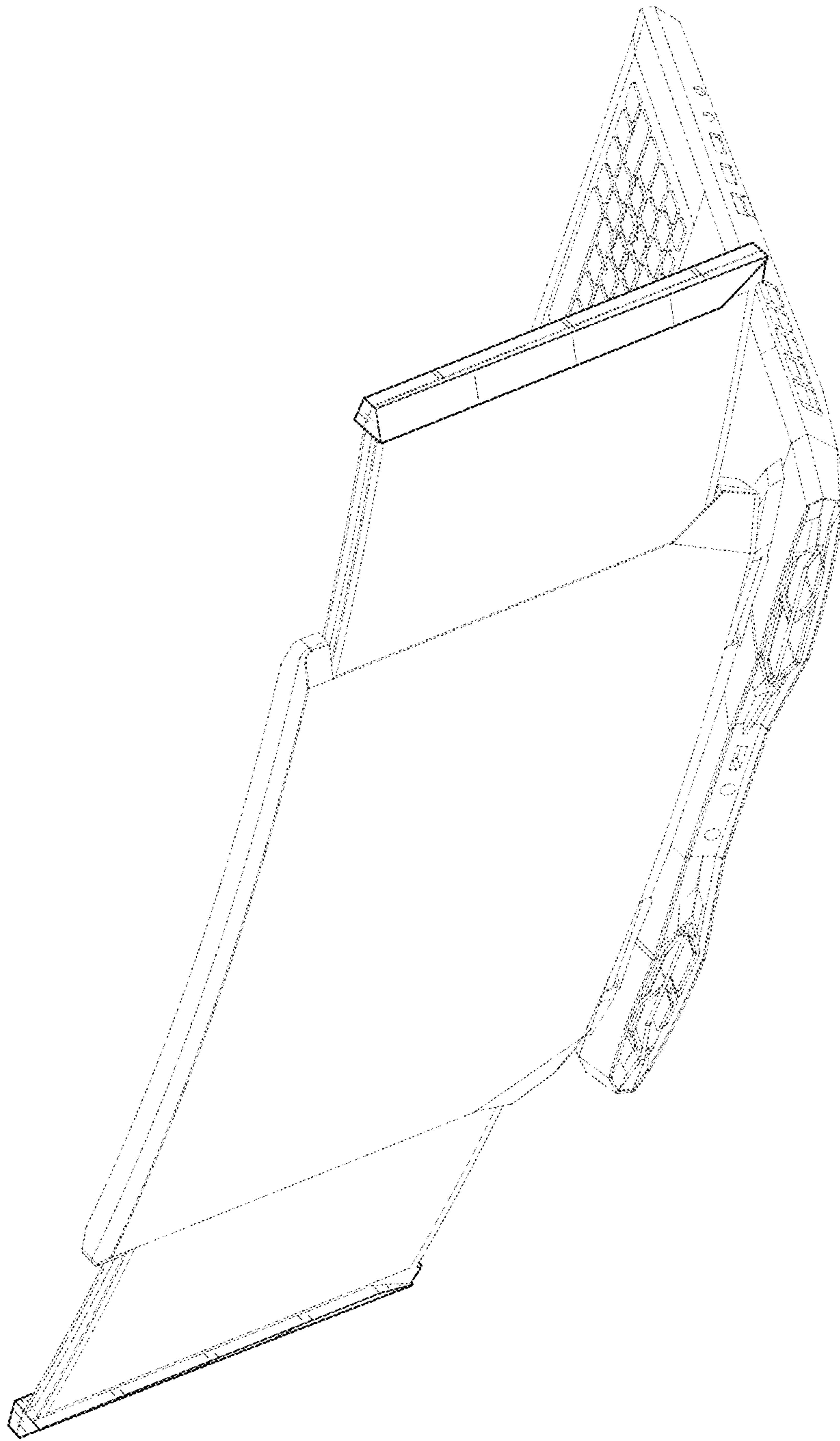


FIG. 2

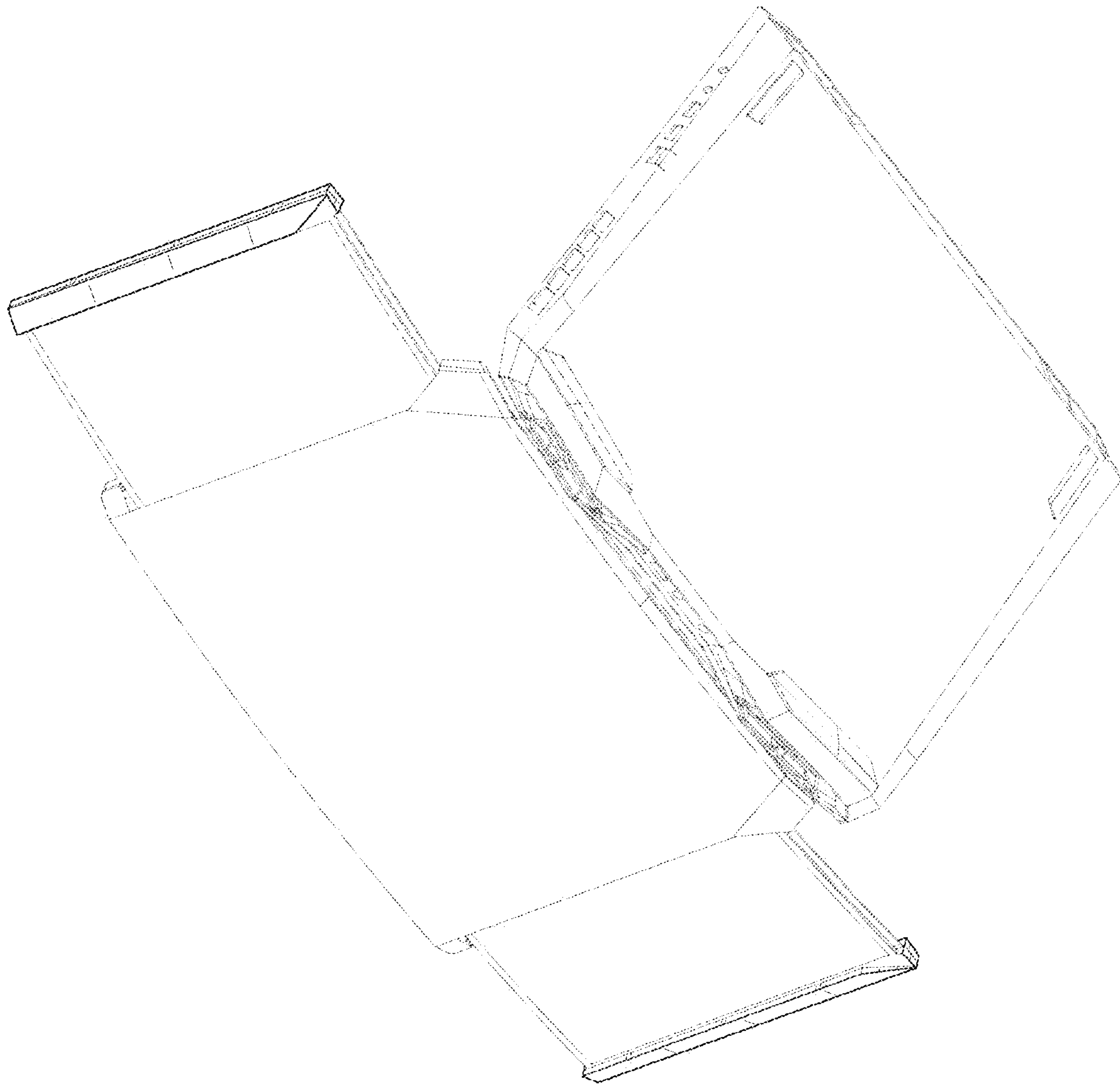


FIG. 3

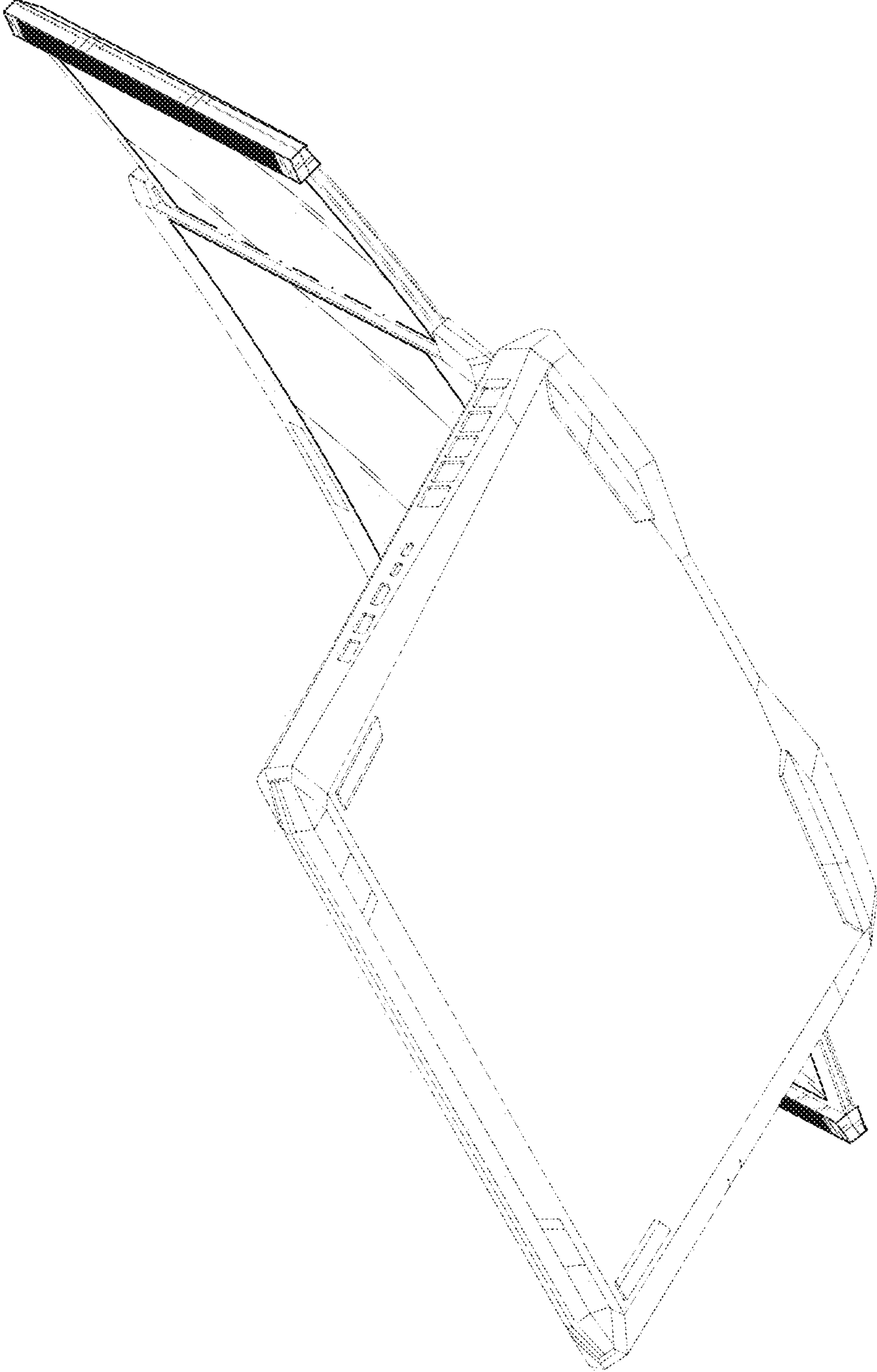


FIG. 4

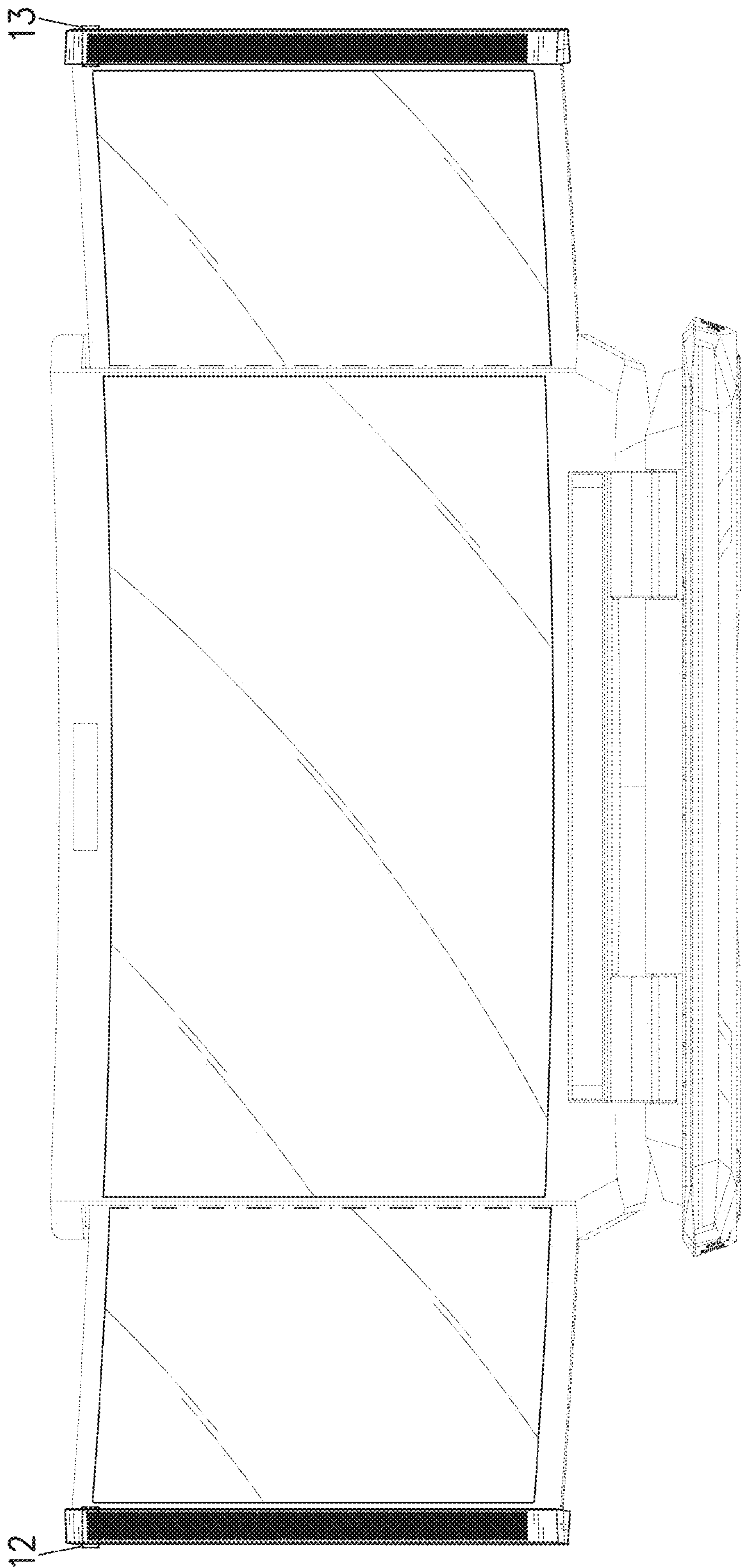


FIG. 5

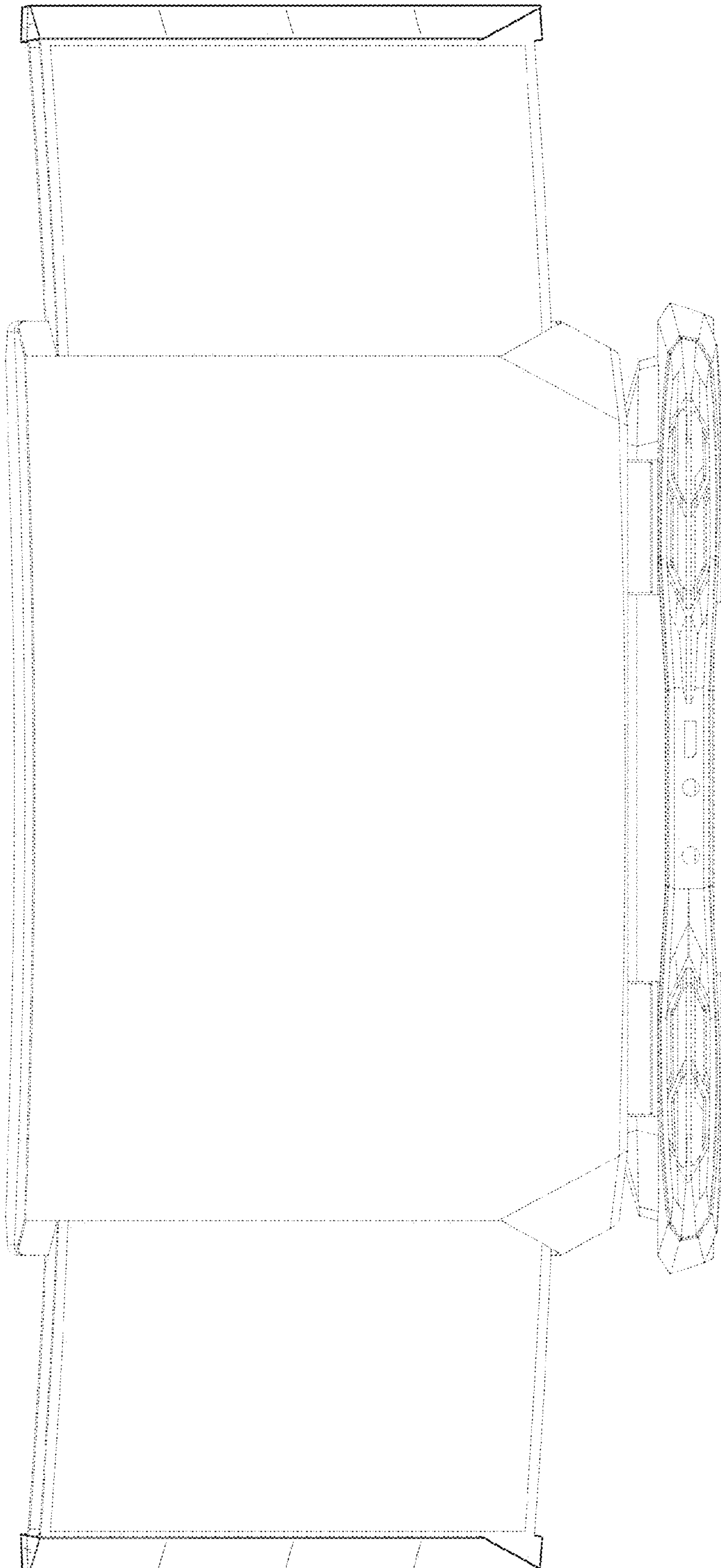


FIG. 6

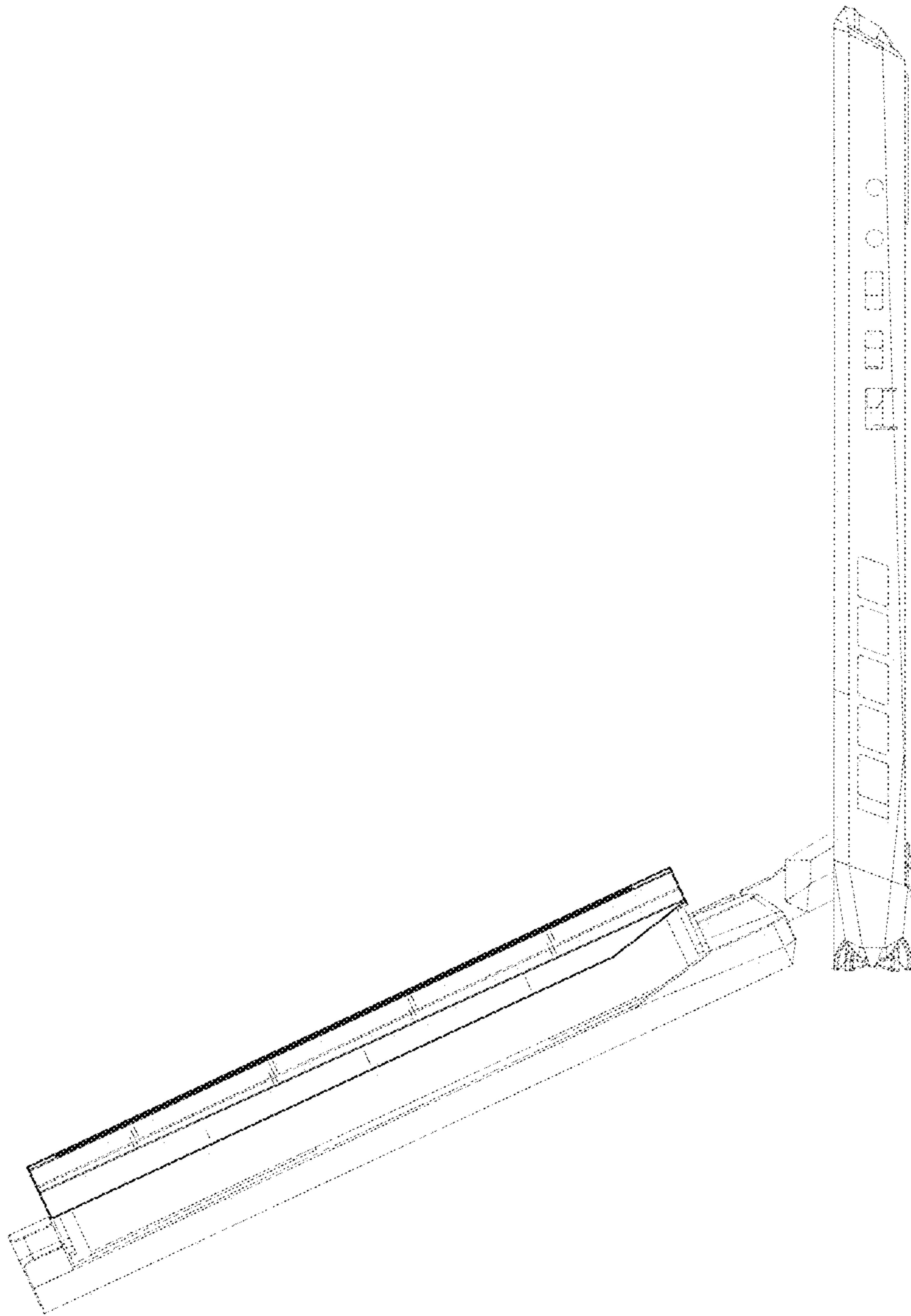


FIG. 7

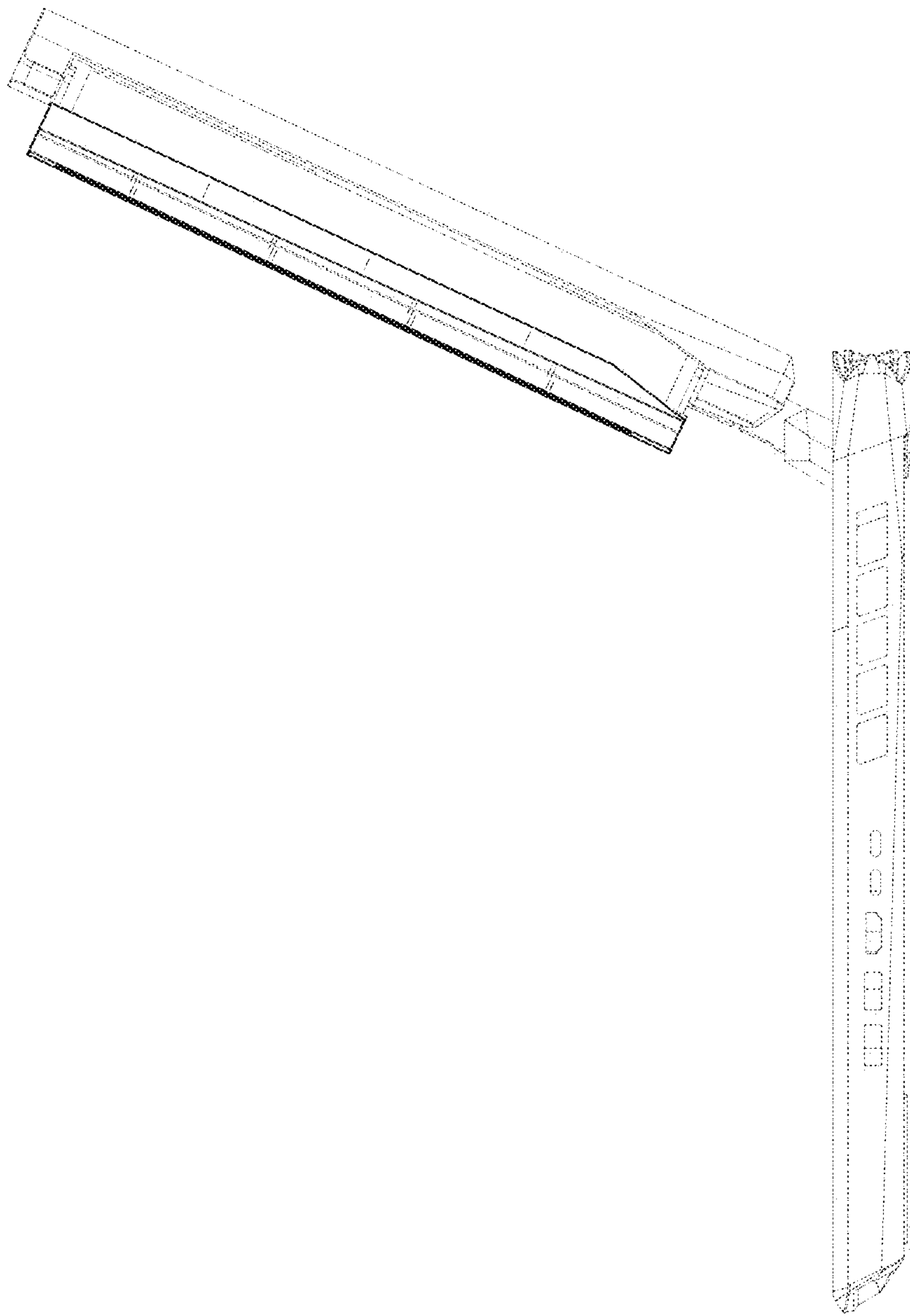


FIG. 8

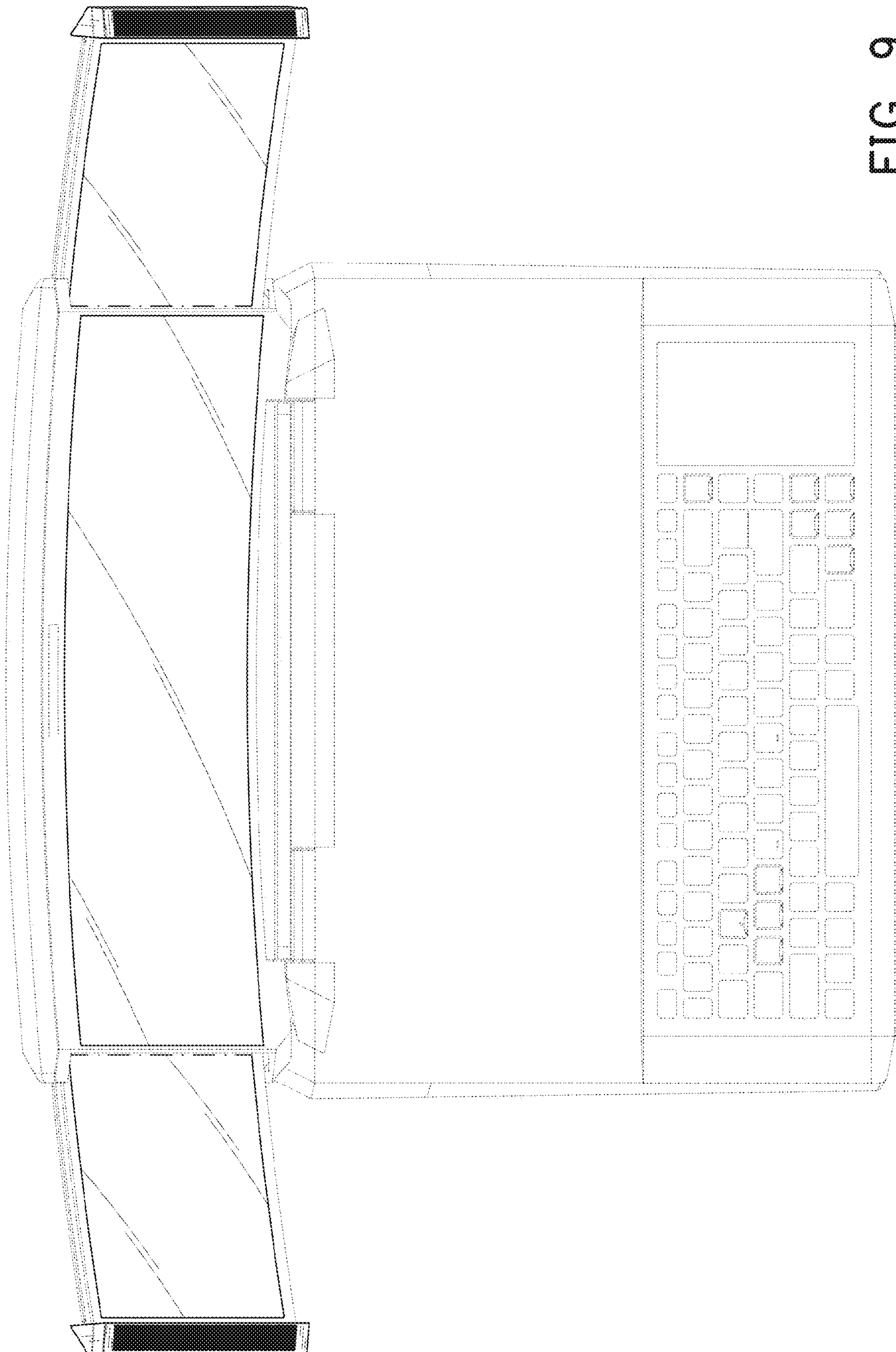


FIG. 9

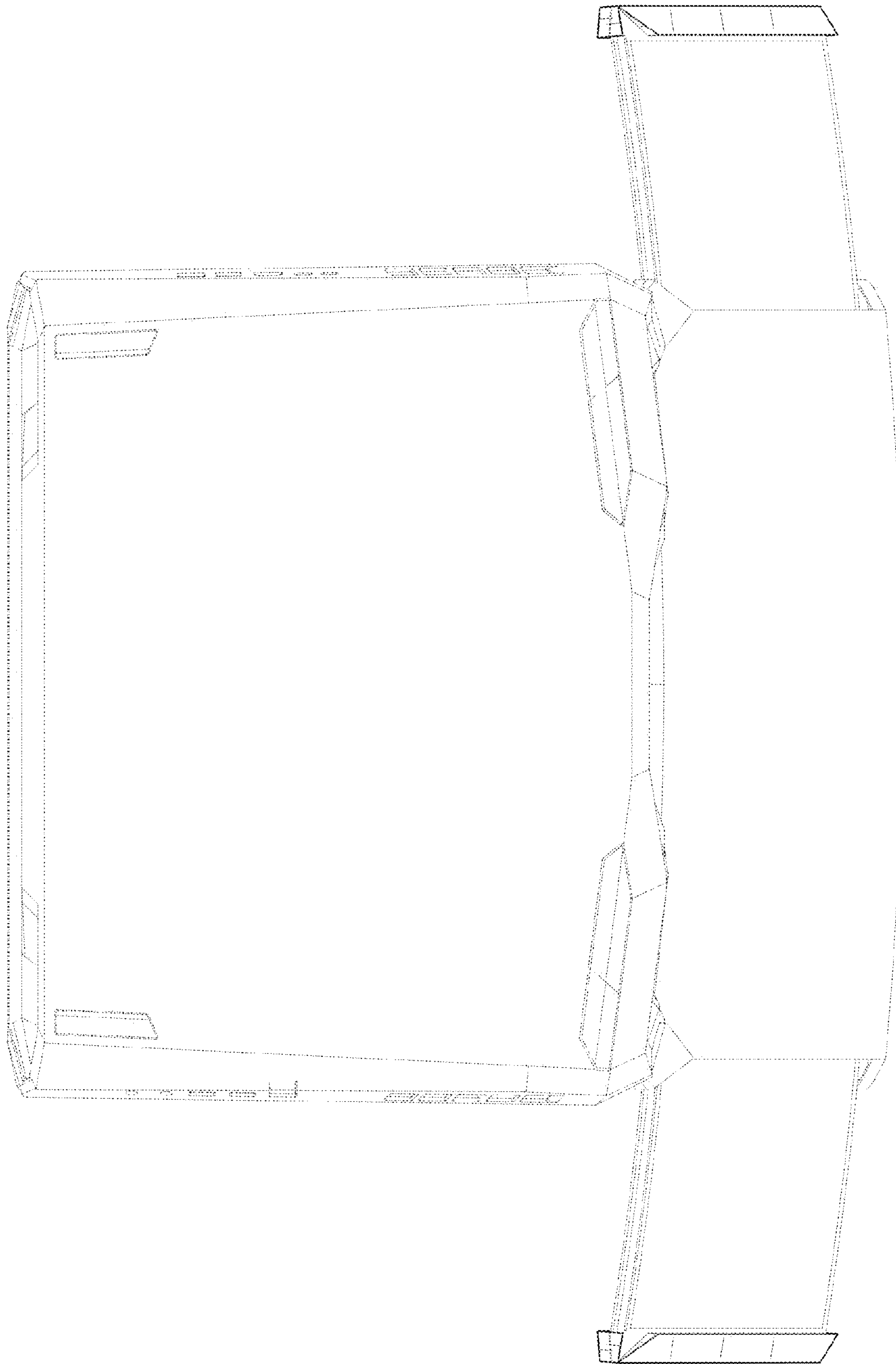


FIG. 10

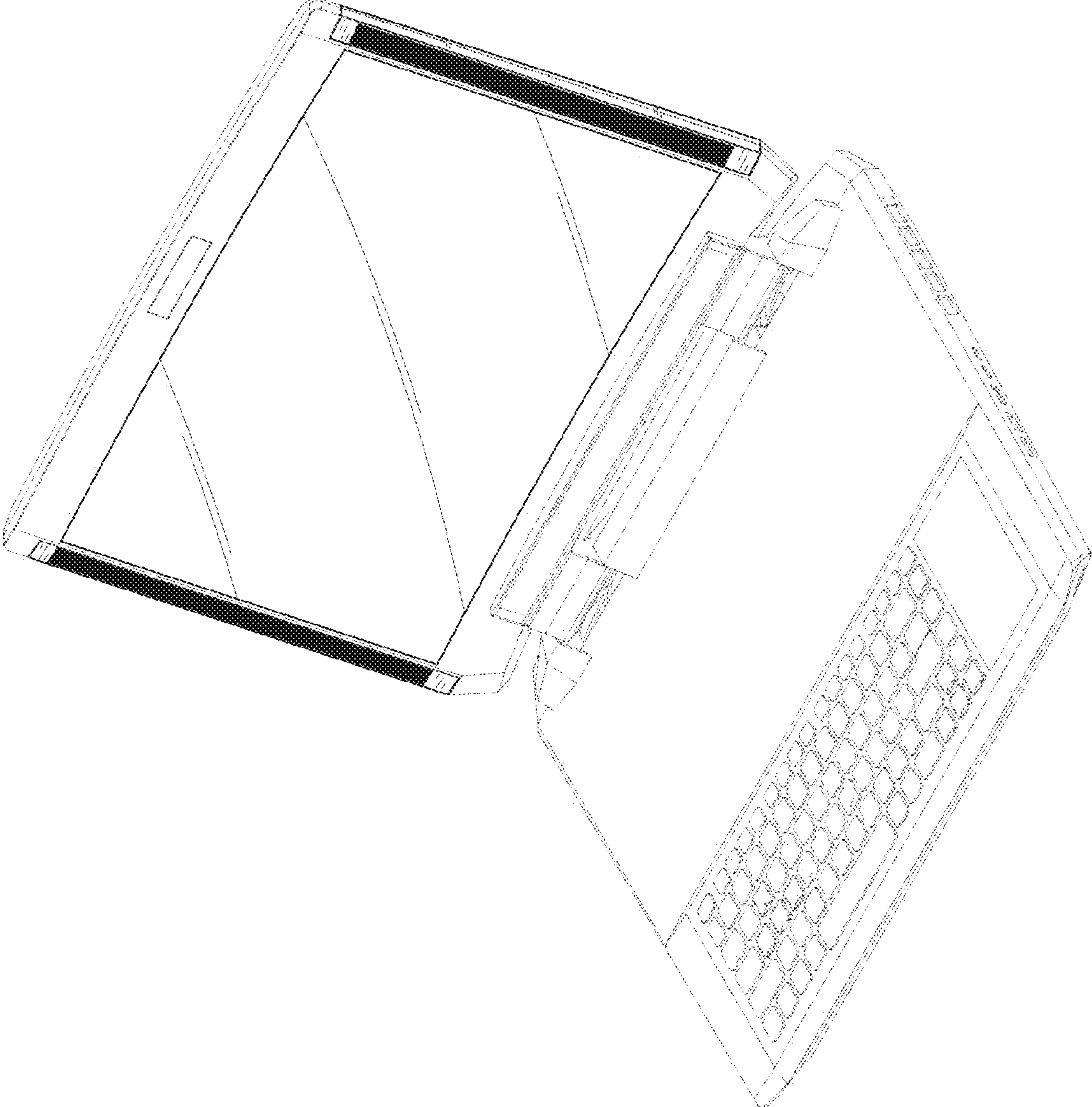


FIG. 11

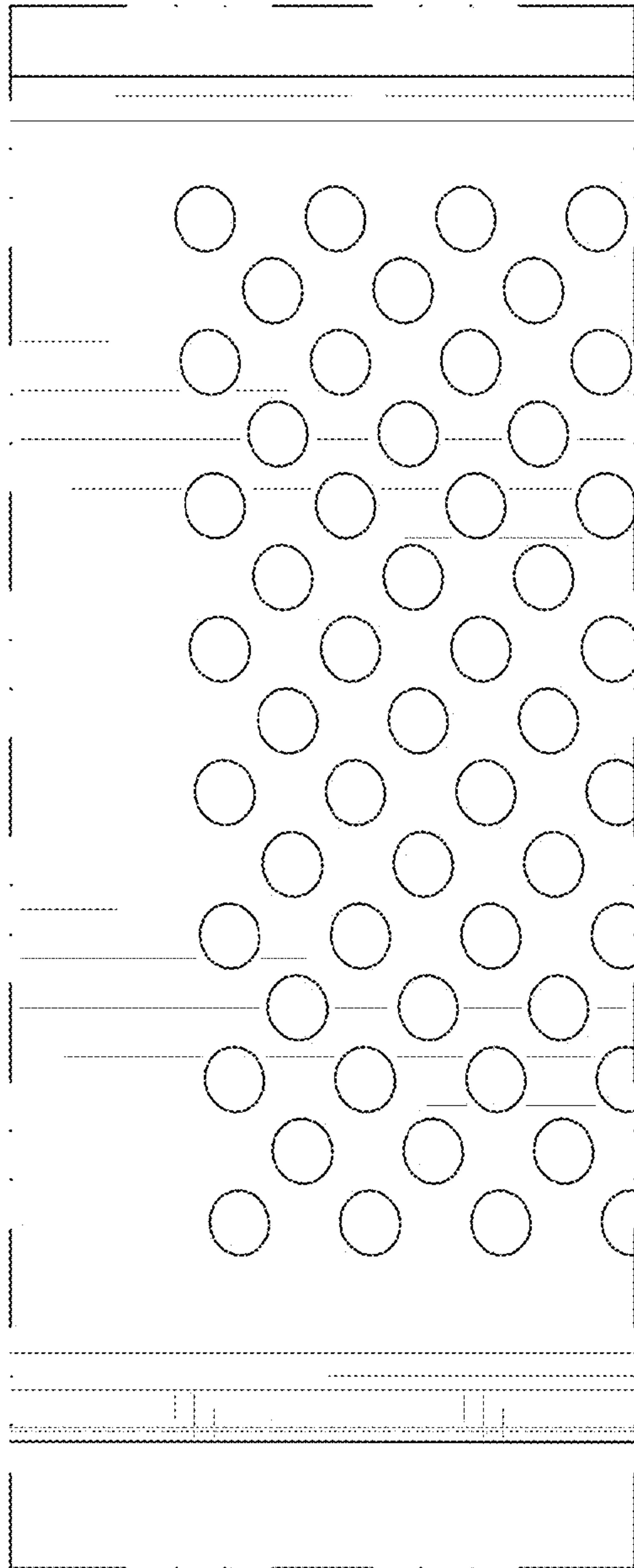


FIG. 12

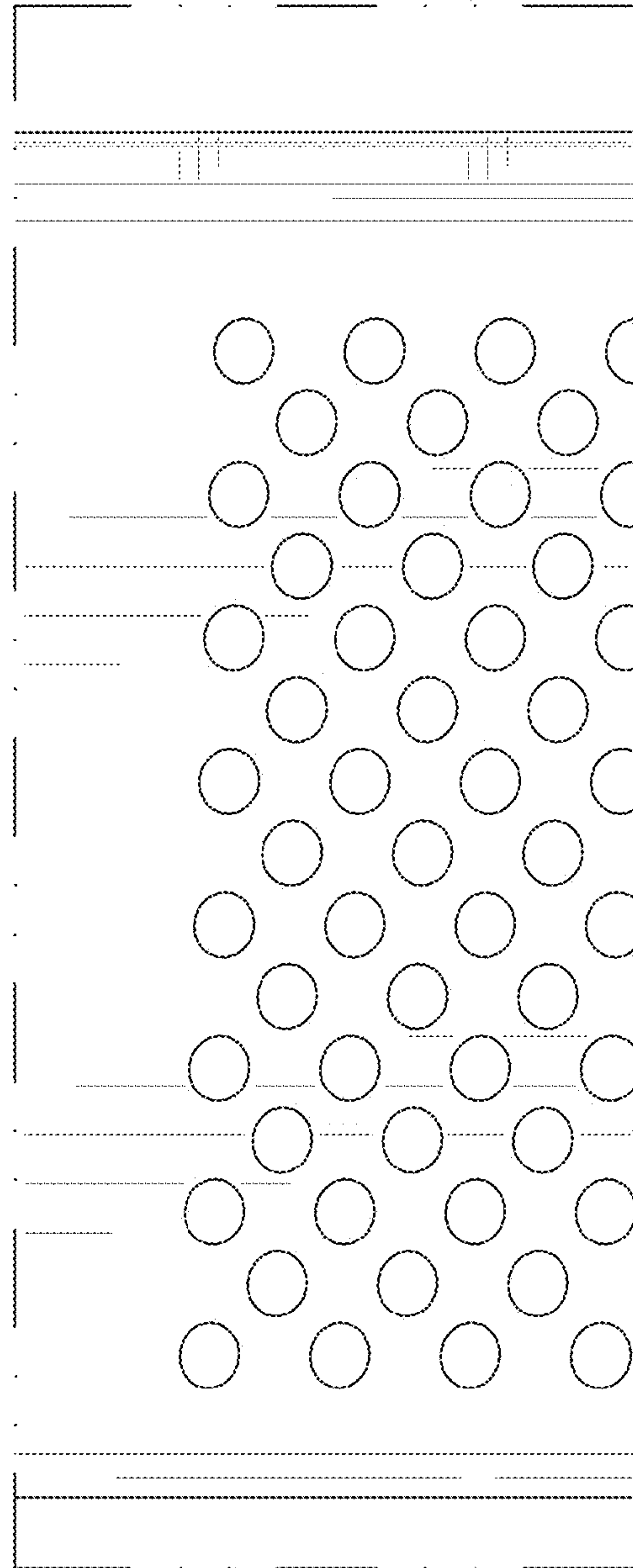


FIG. 13