



US00D969797S

(12) **United States Design Patent**  
**Lee et al.**

(10) **Patent No.:** **US D969,797 S**  
(45) **Date of Patent:** **\*\* Nov. 15, 2022**

(54) **NOTEBOOK**

- (71) Applicant: **SAMSUNG ELECTRONICS CO., LTD.**, Suwon-si (KR)
- (72) Inventors: **Dongseok Lee**, Suwon-si (KR); **Iksang Kim**, Suwon-si (KR)
- (73) Assignee: **SAMSUNG ELECTRONICS CO., LTD.**, Gyeonggi-Do (KR)
- (\*\*) Term: **15 Years**
- (21) Appl. No.: **29/680,813**
- (22) Filed: **Feb. 20, 2019**
- (51) **LOC (13) Cl.** ..... **14-02**
- (52) **U.S. Cl.**  
USPC ..... **D14/315**
- (58) **Field of Classification Search**  
USPC ..... D14/315, 323, 341, 371, 376, 432-433, D14/439; D8/306, 321, 323, 325, 329  
CPC ..... B41J 5/00; B41J 5/10; B41J 5/12; E05D 3/00; E05D 3/02; E05D 3/04; G06F 1/1616; G06F 1/1692  
See application file for complete search history.

(56) **References Cited**

**U.S. PATENT DOCUMENTS**

D349,278 S	*	8/1994	Wetrin	.....	D14/325
D578,525 S	*	10/2008	Yoon	.....	D14/319
D586,343 S	*	2/2009	Lee	.....	D14/315
D600,688 S	*	9/2009	Andre	.....	D14/327
D604,290 S	*	11/2009	Andre	.....	D14/315
D604,293 S	*	11/2009	Andre	.....	D14/315

(Continued)

**FOREIGN PATENT DOCUMENTS**

CN	301734370	*	11/2011
CN	302594262	*	10/2013

(Continued)

**OTHER PUBLICATIONS**

Notebook 9 Pro Laptop, Samsung, youtube.com, published by GadgetGeeks on Feb. 16, 2021 © GadgetGeeks/Samsung, online, site visited Apr. 13, 2022. Available at URL: <https://www.youtube.com/watch?v=gzmGSQMd7Jw> (Year: 2021).\*

(Continued)

*Primary Examiner* — Holly E Thurman  
*Assistant Examiner* — Altaira J Swangin

(74) *Attorney, Agent, or Firm* — Cantor Colburn LLP

(57) **CLAIM**

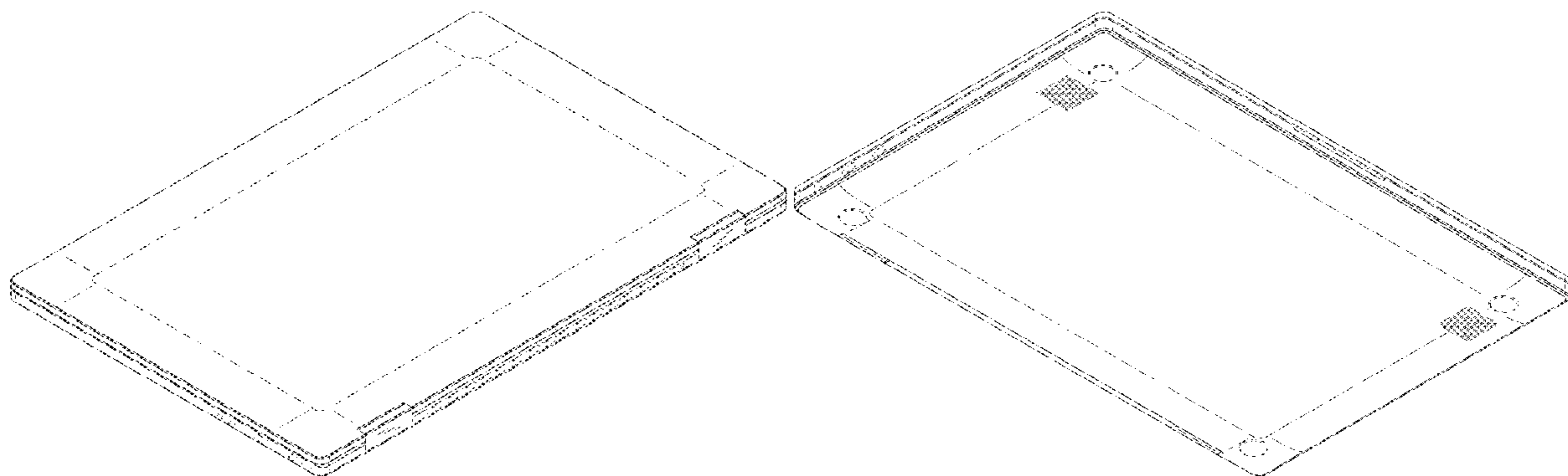
The ornamental design for a notebook, as shown and described.

**DESCRIPTION**

FIG. 1 is a top perspective view of a notebook, showing our new design;  
 FIG. 2 is a front view thereof;  
 FIG. 3 is a rear view thereof;  
 FIG. 4 is a left-side view thereof;  
 FIG. 5 is a right-side view thereof;  
 FIG. 6 is a top view thereof;  
 FIG. 7 is a bottom view thereof;  
 FIG. 8 is a bottom perspective view thereof;  
 FIG. 9 is an enlarged view of the encircled portion 9 in FIG. 2;  
 FIG. 10 is an enlarged view of the encircled portion 10 in FIG. 2;  
 FIG. 11 is an enlarged view of the encircled portion 11 in FIG. 4; and,  
 FIG. 12 is an enlarged view of the encircled portion 12 in FIG. 4.

The broken lines shown in the drawings depict portions of the notebook that form no part of the claimed design. The dot-dash broken lines in the drawings encircle portions of the claimed design that are illustrated in enlargements and form no part of the claimed design.

**1 Claim, 5 Drawing Sheets**



(56)

References Cited

U.S. PATENT DOCUMENTS

D606,988 S 12/2009 Andre et al.  
D616,881 S \* 6/2010 Andre ..... D14/318  
D624,911 S \* 10/2010 Lee ..... D14/315  
D652,416 S \* 1/2012 Park ..... D14/315  
D664,535 S \* 7/2012 Lee ..... D14/315  
D674,399 S \* 1/2013 Welch ..... D14/455  
D676,041 S \* 2/2013 McManigal ..... D14/315  
D678,269 S \* 3/2013 Lyles ..... D14/315  
D682,828 S \* 5/2013 Kim ..... D14/327  
D703,202 S \* 4/2014 Jung ..... D14/327  
D706,757 S \* 6/2014 Lee ..... D14/315  
D714,285 S \* 9/2014 Sohn ..... D14/315  
D716,793 S \* 11/2014 Lee ..... D14/315  
D717,788 S \* 11/2014 Yun ..... D14/315  
D717,790 S \* 11/2014 Kim ..... D14/315  
D719,148 S \* 12/2014 Kim ..... D14/315  
D719,562 S \* 12/2014 Kim ..... D14/315  
D719,563 S \* 12/2014 Lee ..... D14/315  
D720,741 S \* 1/2015 Leonard ..... D14/315  
D743,390 S \* 11/2015 Lyles ..... D14/315  
D752,034 S 3/2016 Rivera et al.  
D756,350 S \* 5/2016 Sun ..... D14/315  
D756,351 S \* 5/2016 Sun ..... D14/315  
D758,360 S \* 6/2016 Lyles ..... D14/315  
D762,638 S \* 8/2016 Chang ..... D14/315  
D770,442 S \* 11/2016 Tu ..... D14/315  
D775,623 S 1/2017 Akana et al.  
D781,281 S \* 3/2017 Lyles ..... D14/315  
D781,282 S \* 3/2017 Hsu ..... D14/315  
D791,120 S \* 7/2017 Leonard ..... D14/316  
D802,584 S \* 11/2017 Kong ..... D14/315  
D807,342 S \* 1/2018 Chang ..... D14/315  
D808,951 S \* 1/2018 Jung ..... D14/316  
D813,859 S \* 3/2018 Oakley ..... D14/315  
D813,860 S \* 3/2018 Doczy ..... D14/315  
D813,861 S \* 3/2018 Goh ..... D14/315  
D814,475 S \* 4/2018 Jung ..... D14/439  
D820,827 S \* 6/2018 Seoc ..... D14/315  
D826,923 S \* 8/2018 Lee ..... D14/315  
D829,710 S \* 10/2018 Seoc ..... D14/315  
D835,095 S \* 12/2018 Goh ..... D14/315  
D890,167 S \* 7/2020 Moon ..... D14/315  
D891,423 S \* 7/2020 Seoc ..... D14/327

D894,178 S \* 8/2020 Dieterle ..... D14/315  
D901,485 S \* 11/2020 Ding ..... D14/327  
D904,395 S \* 12/2020 Reed ..... D14/315  
D912,661 S \* 3/2021 Goh ..... D14/315  
D915,396 S \* 4/2021 Sheu ..... D14/327  
D916,075 S \* 4/2021 Jung ..... D14/315  
D916,076 S \* 4/2021 Seoc ..... D14/315  
D917,456 S \* 4/2021 Hsieh ..... D14/315  
D917,461 S \* 4/2021 DiLoreto ..... D14/327  
D928,143 S \* 8/2021 Yeom ..... D14/315  
D928,775 S \* 8/2021 Yeom ..... D14/315  
D931,274 S \* 9/2021 Hwang ..... D14/315  
D942,444 S \* 2/2022 Chieh ..... D14/316  
D953,321 S \* 5/2022 Hsu ..... D14/315

FOREIGN PATENT DOCUMENTS

CN 304386515 \* 12/2017  
CN 304834673 \* 9/2018  
CN 304861143 \* 10/2018  
CN 304887441 \* 11/2018  
CN 304992598 \* 1/2019  
CN 305010105 \* 1/2019  
EM 002221101-0001 5/2013  
KR 300931104.0000 \* 11/2017  
KR 300955727.0000 \* 5/2018

OTHER PUBLICATIONS

2-in-1 15.6" Touch Screen Laptop, Asus, bestbuy.com, author unlisted, published on Nov. 9, 2017 per wayback machine © 2022 Best Buy, online, site visited Jun. 9, 2022. Available at URL: <https://www.bestbuy.com/site/asus-2-in-1-15-6-touch-screen-laptop-intel-core-i5-12gb-memory-1tb-hard-drive...-sandblasted-aluminum-silver-with-chrome-hinge/6077501.p?skuId=6077501> (Year: 2017).\*  
Galaxy Book Flex2 5G, Samsung, samsungmobile.com, author and date not listed © 2022 Samsung, online, site visited Jun. 16, 2022. Available at URL: [https://www.samsungmobilepress.com/media-assets/galaxy\\_book\\_flex2\\_5g/](https://www.samsungmobilepress.com/media-assets/galaxy_book_flex2_5g/) (Year: 2022).\*  
MacBook Pro (Retina, 15-inch, Mid 2015)—Technical Specifications, [online]. pp. 1-5 [retrieved on May 13, 2019]. Retrieved from the Internet: <URL: [https://support.apple.com/kb/SP719?viewlocale=en\\_US&locale=ko\\_KR](https://support.apple.com/kb/SP719?viewlocale=en_US&locale=ko_KR).

\* cited by examiner

FIG.1

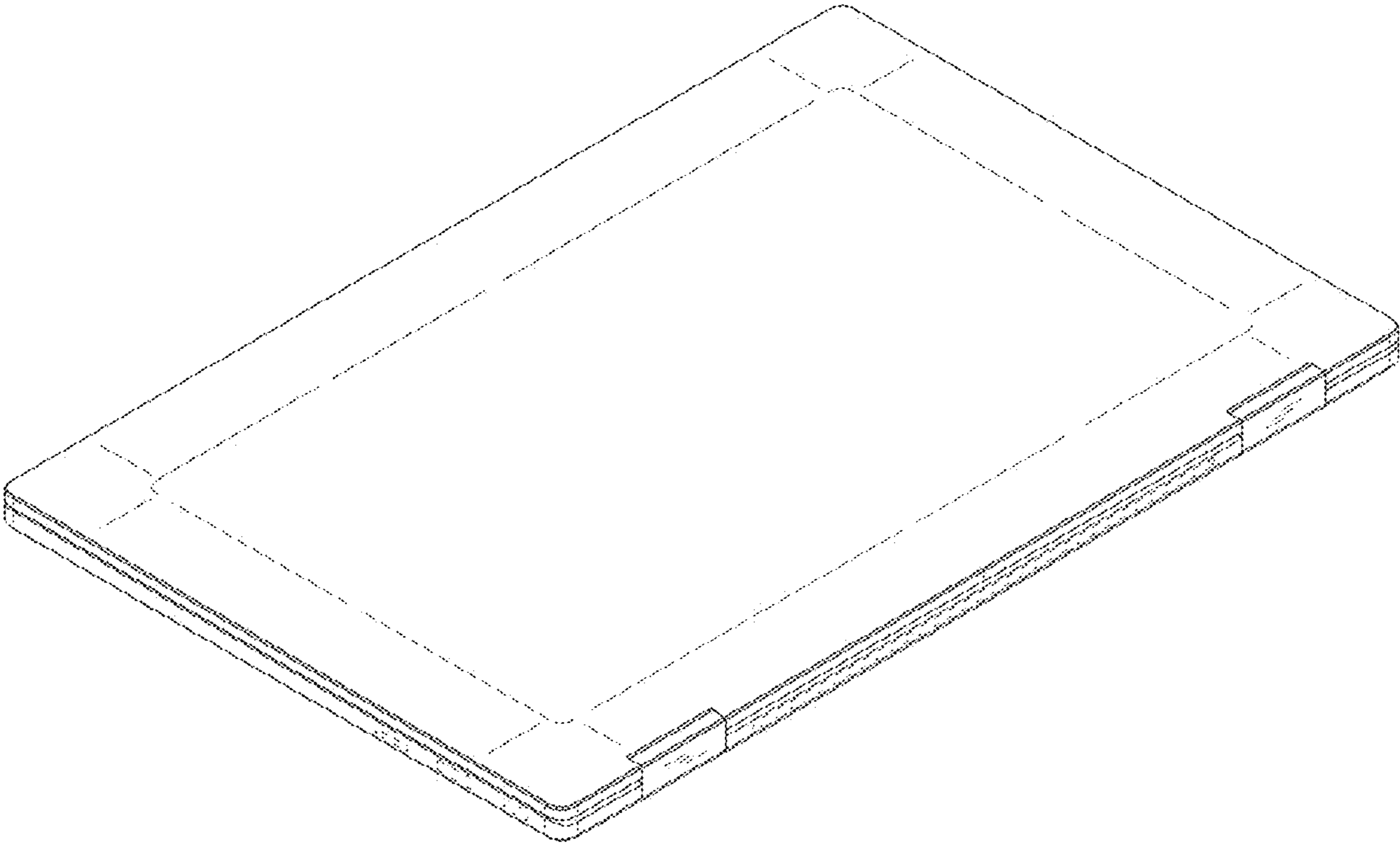


FIG.2

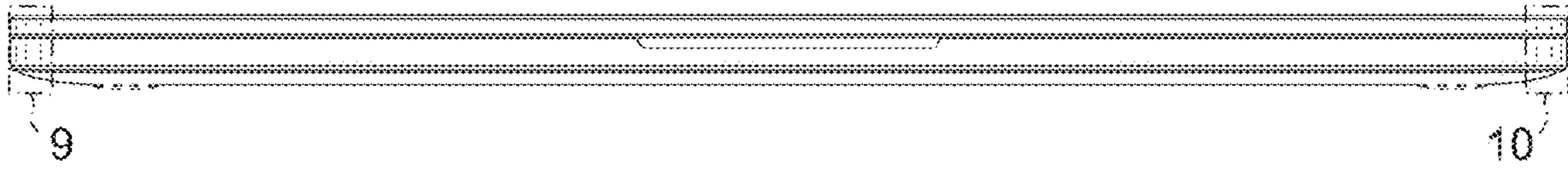


FIG.3

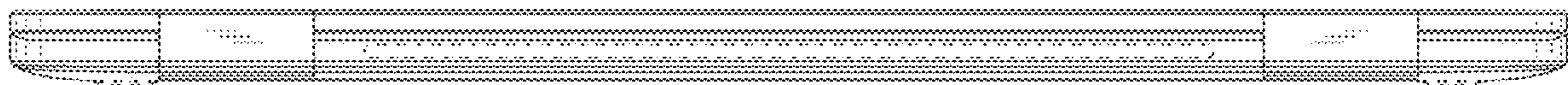


FIG.4

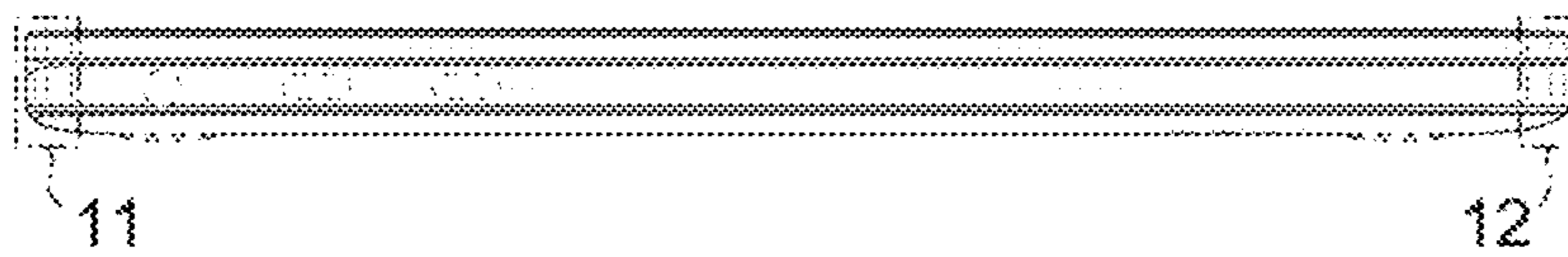


FIG.5

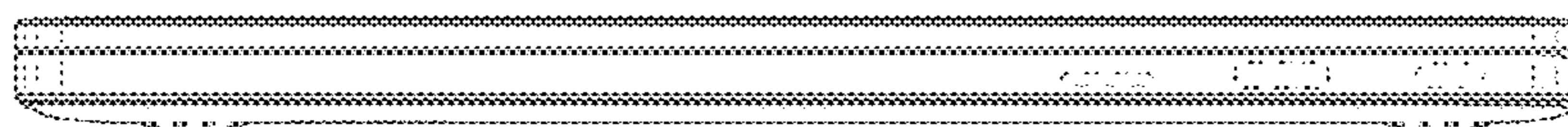


FIG.6



FIG.7



FIG.8

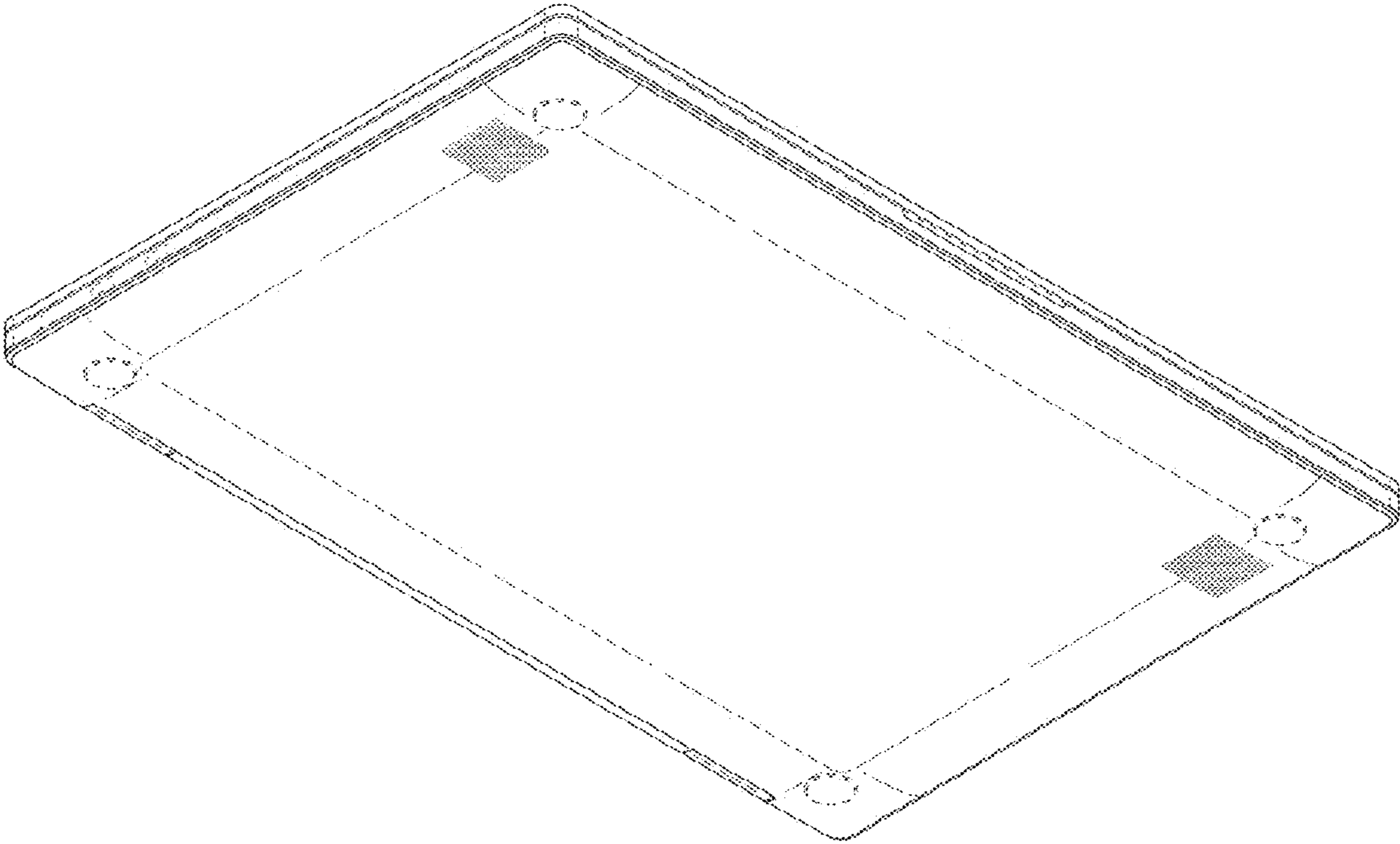


FIG.9

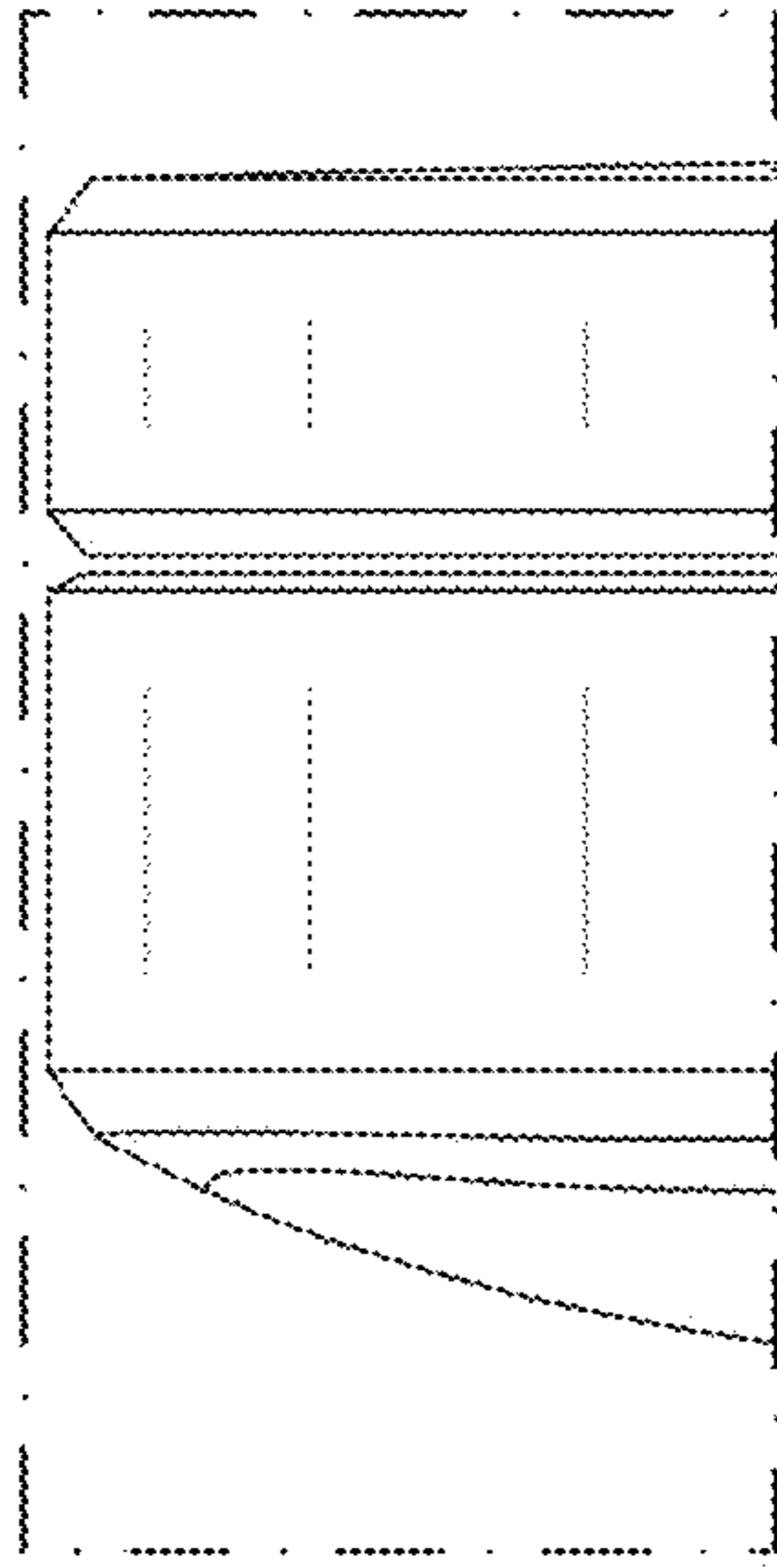


FIG.10

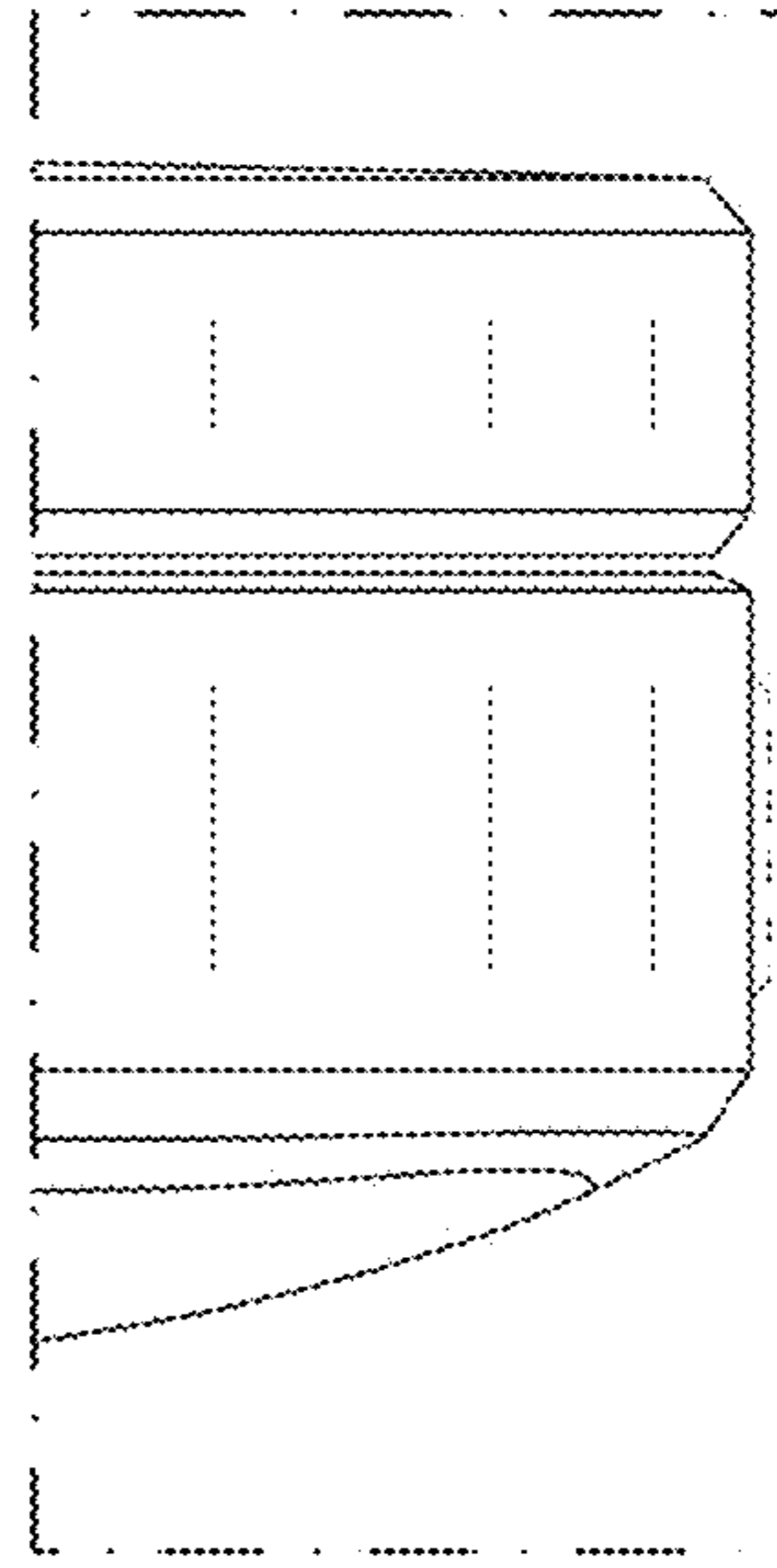


FIG.11

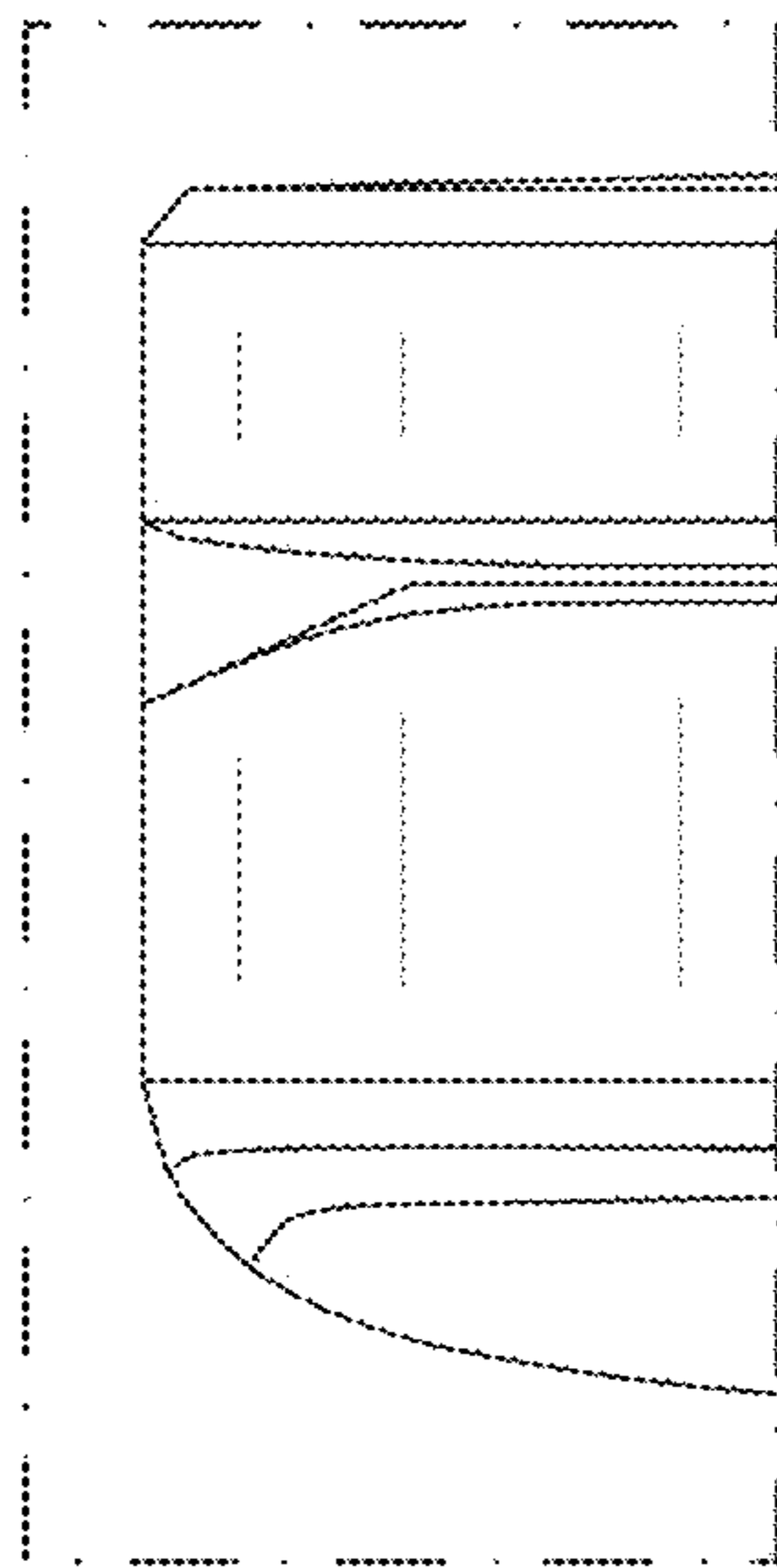


FIG.12

