



US00D969795S

(12) **United States Design Patent**  
**Fiore, IV**

(10) **Patent No.:** **US D969,795 S**

(45) **Date of Patent:** **\*\* Nov. 15, 2022**

(54) **AUTO STEREO MOUNTING DEVICE**

(71) Applicant: **Metra Electronics Corporation**, Holly Hill, FL (US)

(72) Inventor: **Anthony Fiore, IV**, Holly Hill, FL (US)

(73) Assignee: **Metra Electronics Corporation**, Holly Hill, FL (US)

(\*\*) Term: **15 Years**

(21) Appl. No.: **29/744,939**

(22) Filed: **Aug. 2, 2020**

(51) **LOC (13) Cl.** ..... **14-01**

(52) **U.S. Cl.**  
USPC ..... **D14/258**

(58) **Field of Classification Search**  
USPC ..... D14/257, 258, 341, 356, 388, 399, 432, D14/439, 440, 441, 450, 507, 511, 133, D14/157, 188, 194, 203.3, 217, 219, 251; D12/415, 416, 422, 190, 192, 193, 195, D12/223; D8/349, 353, 380  
CPC ..... B60R 11/02; B60K 37/04; B60K 37/06; B60K 35/00; H04B 1/08; H04B 1/082  
See application file for complete search history.

(56) **References Cited**

**U.S. PATENT DOCUMENTS**

D802,579 S \* 11/2017 Wellard ..... D14/258  
D881,183 S \* 4/2020 Fiore, IV ..... D14/258  
D894,169 S \* 8/2020 Quilling, II ..... D14/258

D898,732 S \* 10/2020 Quilling, II ..... D14/258  
2016/0200263 A1\* 7/2016 An ..... B60K 37/04  
296/70  
2018/0236873 A1\* 8/2018 Nguyen ..... B60K 37/02

**OTHER PUBLICATIONS**

Metra Dodge Dakota. Metra, amazon.com (online) 5 pages. Posted Dec. 8, 2021. [Retrieved Jun. 30, 2022] <https://a.co/d/hdFzrYH> (Year: 2021).\*

Scosche ST2430B. Scosche, amazon.com (online) 9 pages. Posted Aug. 15, 2008. [Retrieved Jun. 30, 2022] <https://a.co/d/futAbls> (Year: 2008).\*

\* cited by examiner

*Primary Examiner* — Kathleen L Jones

*Assistant Examiner* — Cole Sanders Holman

(74) *Attorney, Agent, or Firm* — J. Wiley Horton

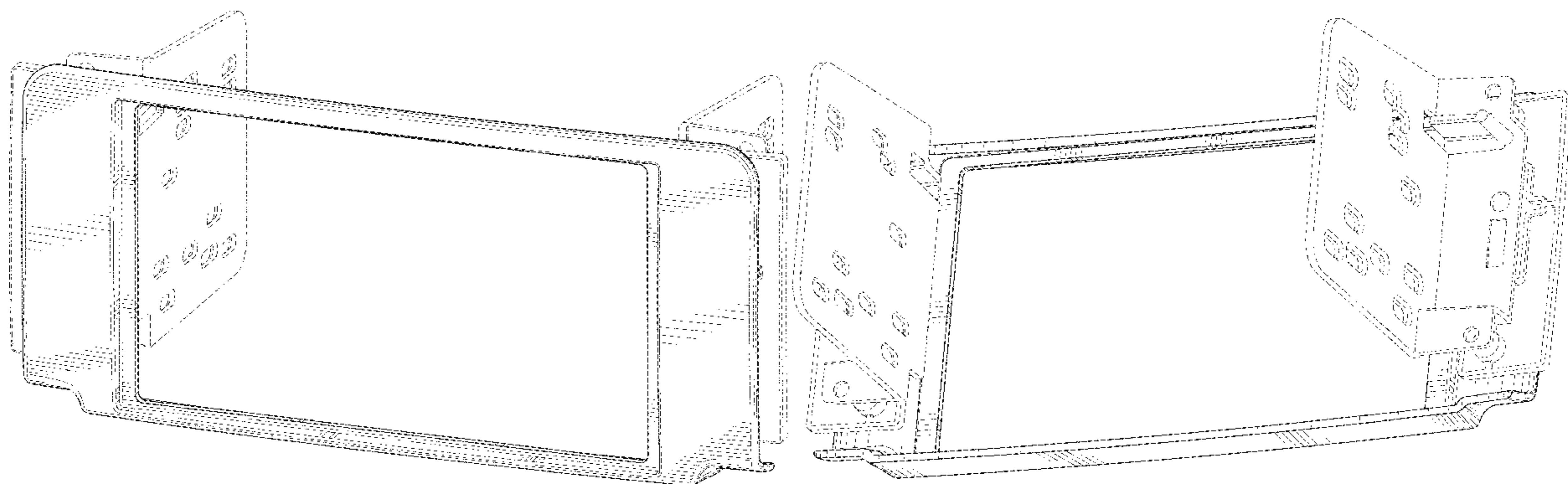
(57) **CLAIM**

The ornamental design for an “auto stereo mounting device”, as shown and described.

**DESCRIPTION**

FIG. 1 is a perspective view of an auto stereo mounting device, showing my design;  
FIG. 2 is a rear perspective view of FIG. 1;  
FIG. 3 is a front elevation view of FIG. 1;  
FIG. 4 is a rear elevation view of FIG. 1;  
FIG. 5 is a left side elevation view of FIG. 1;  
FIG. 6 is a right side elevation view of FIG. 1;  
FIG. 7 is a top plan view of FIG. 1; and,  
FIG. 8 is a bottom plan view of FIG. 1.  
The broken lines shown in all views illustrate mounting features which form no part of the claimed design.

**1 Claim, 8 Drawing Sheets**



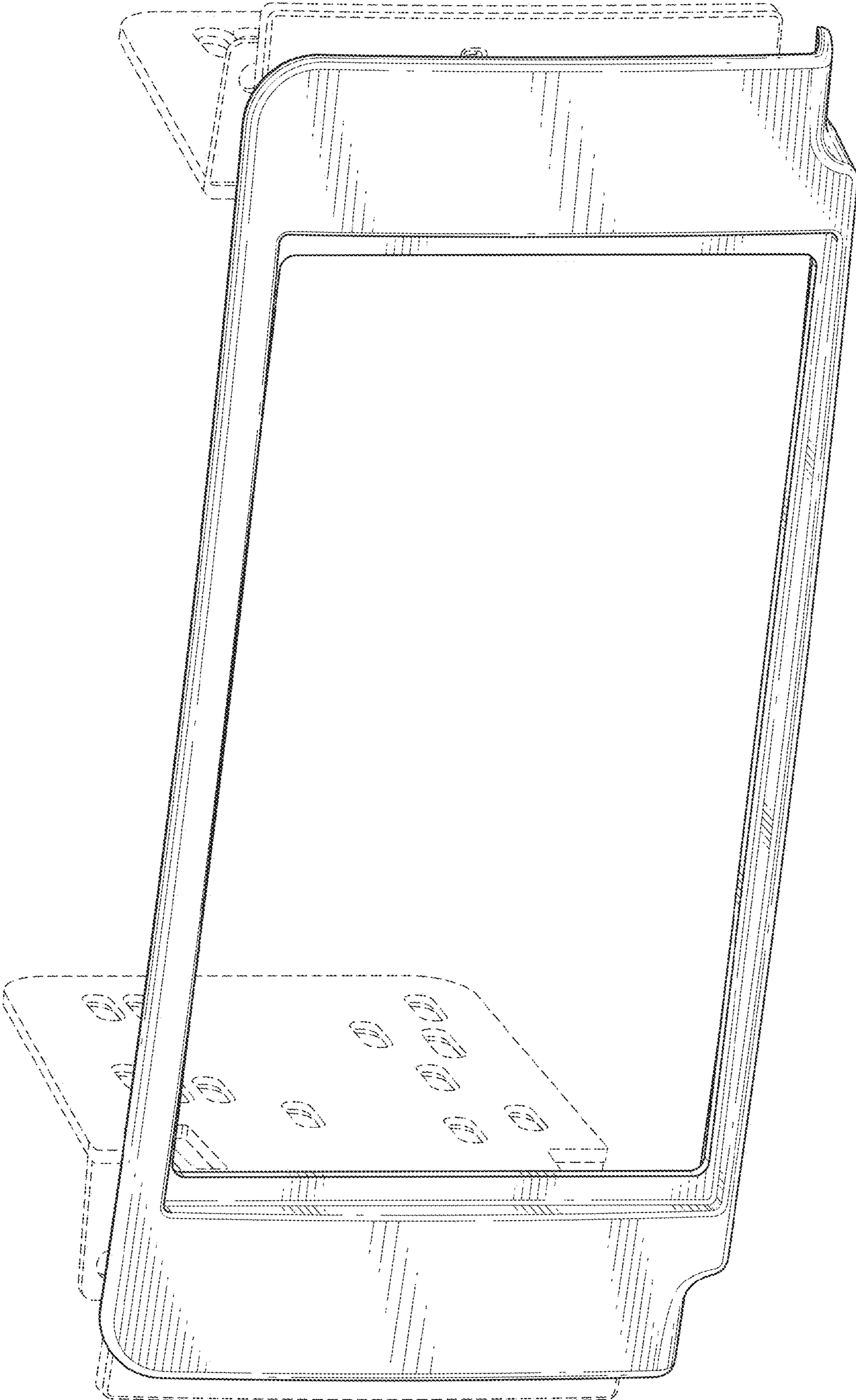


FIG. 1

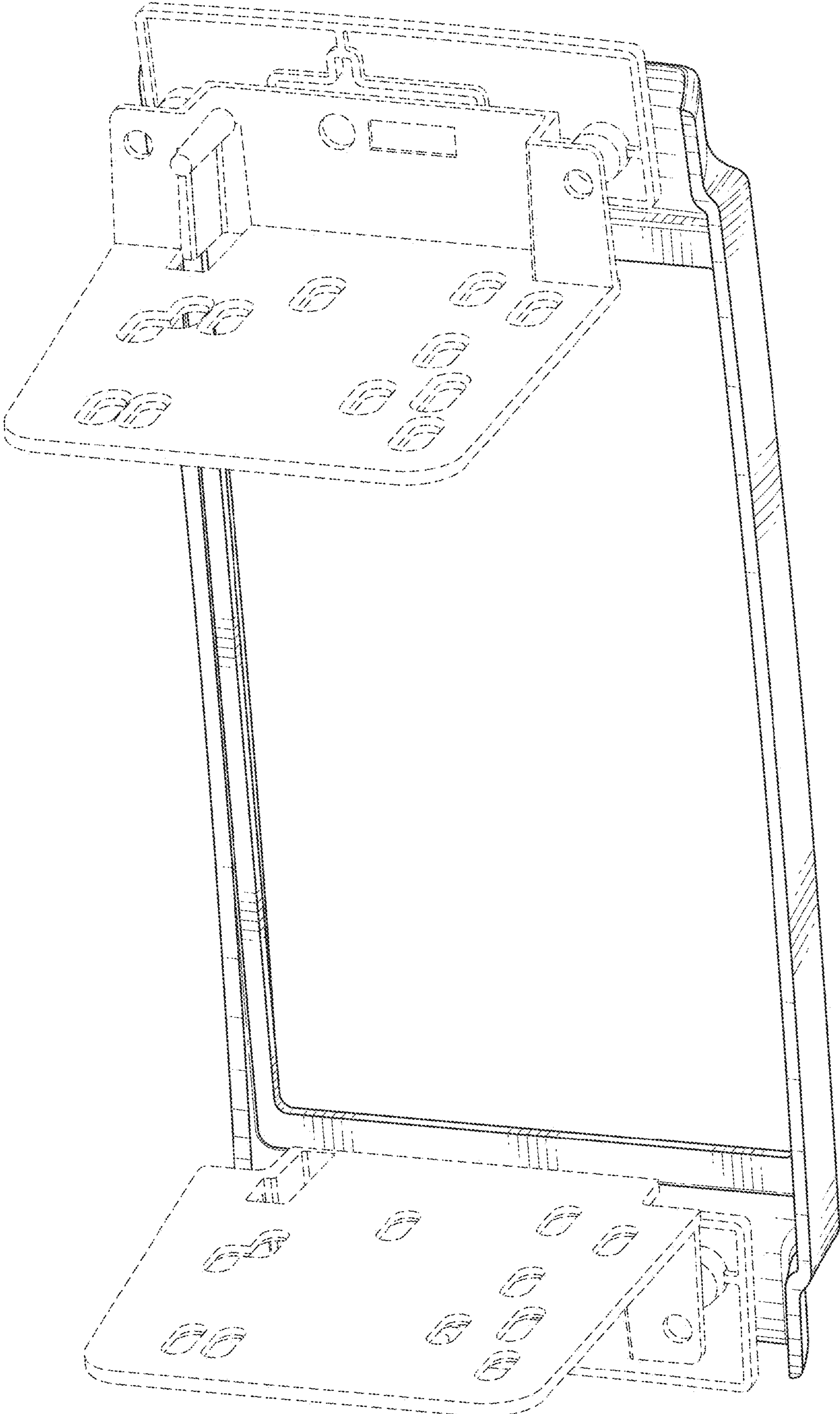


FIG. 2



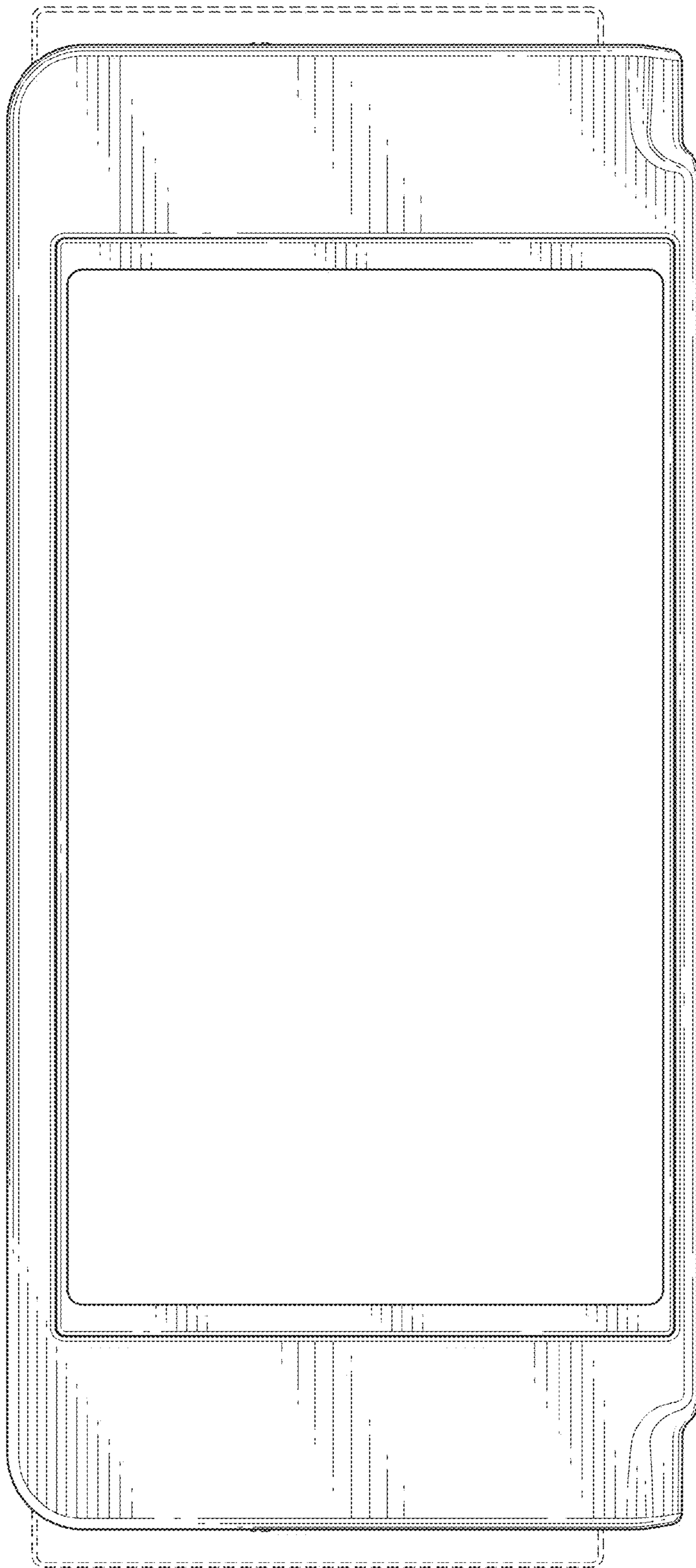


FIG. 3

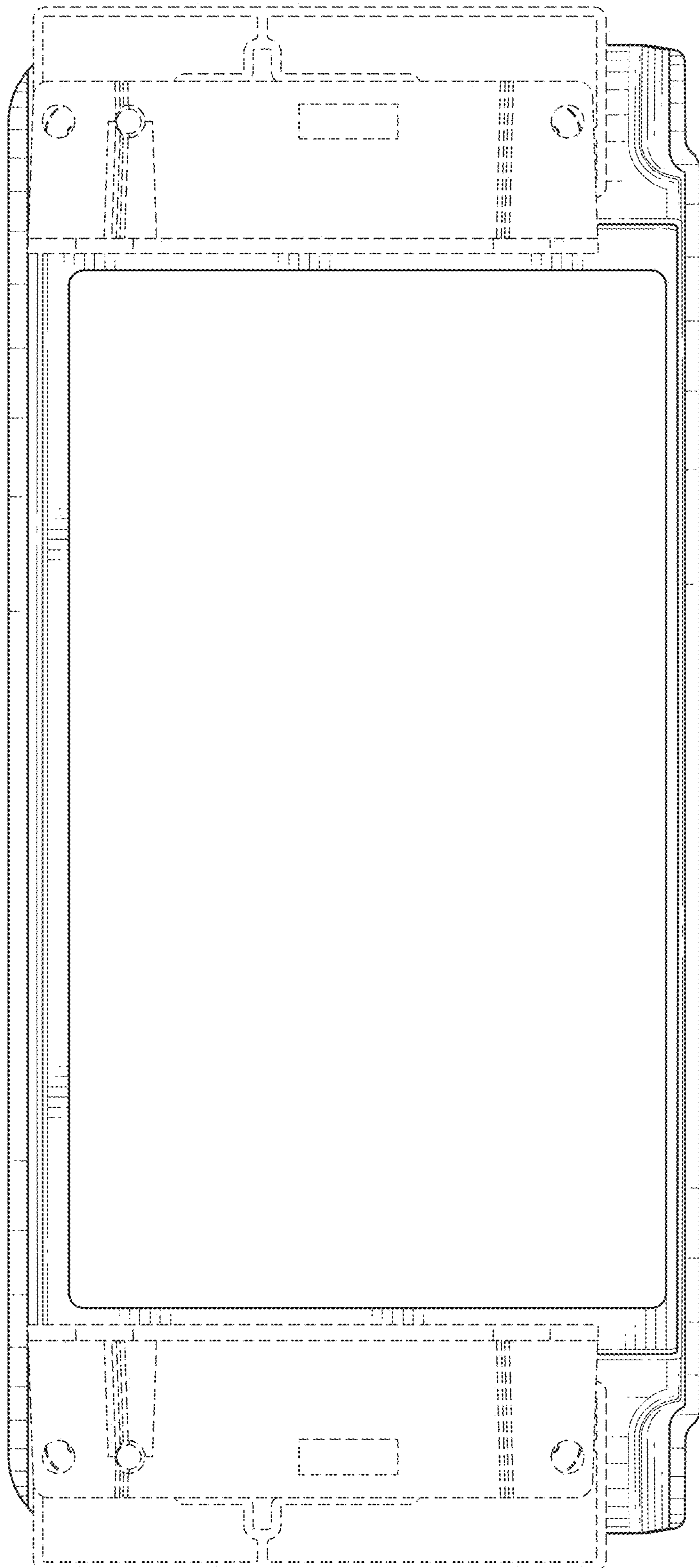


FIG. 4

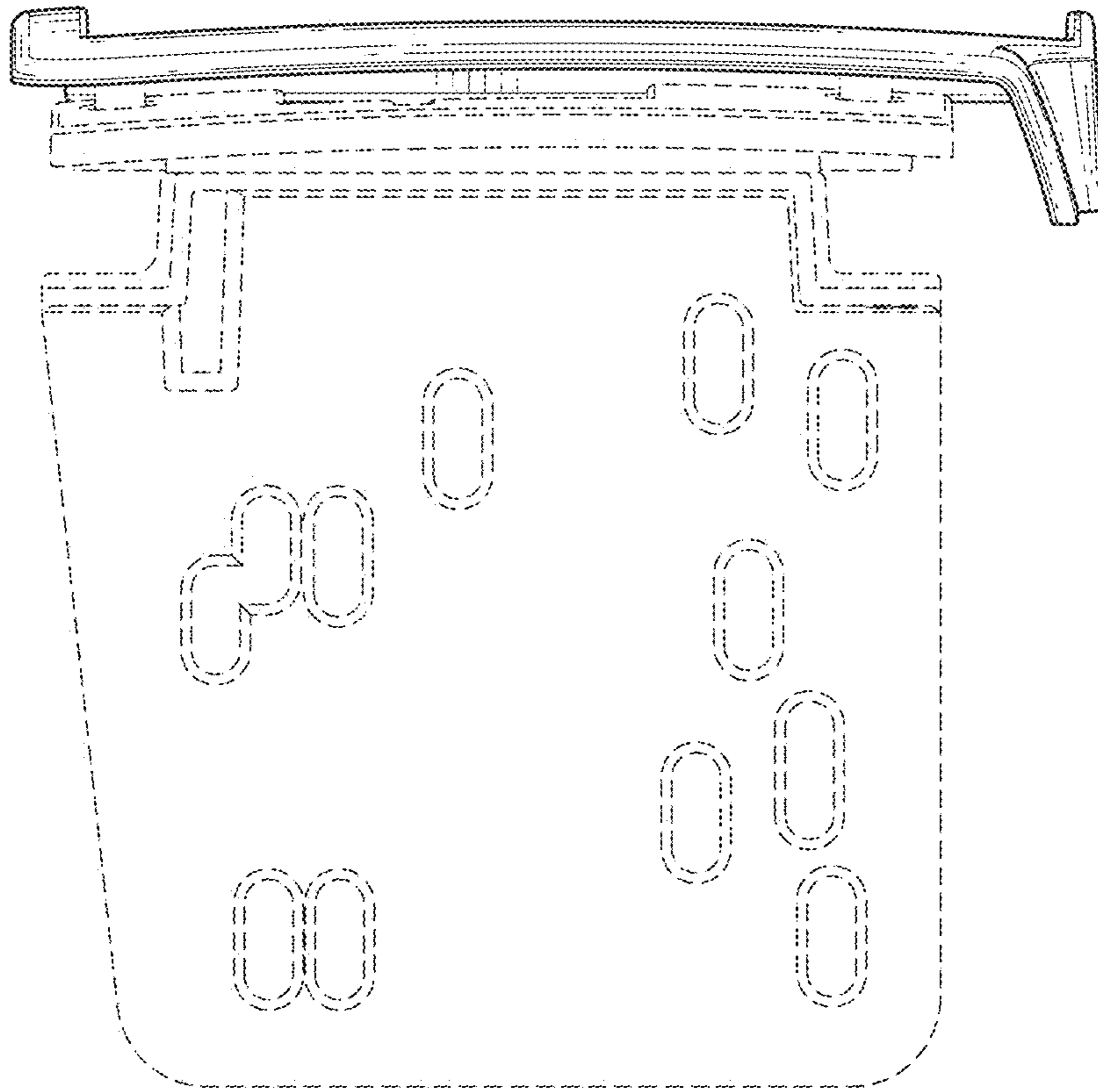


FIG. 5

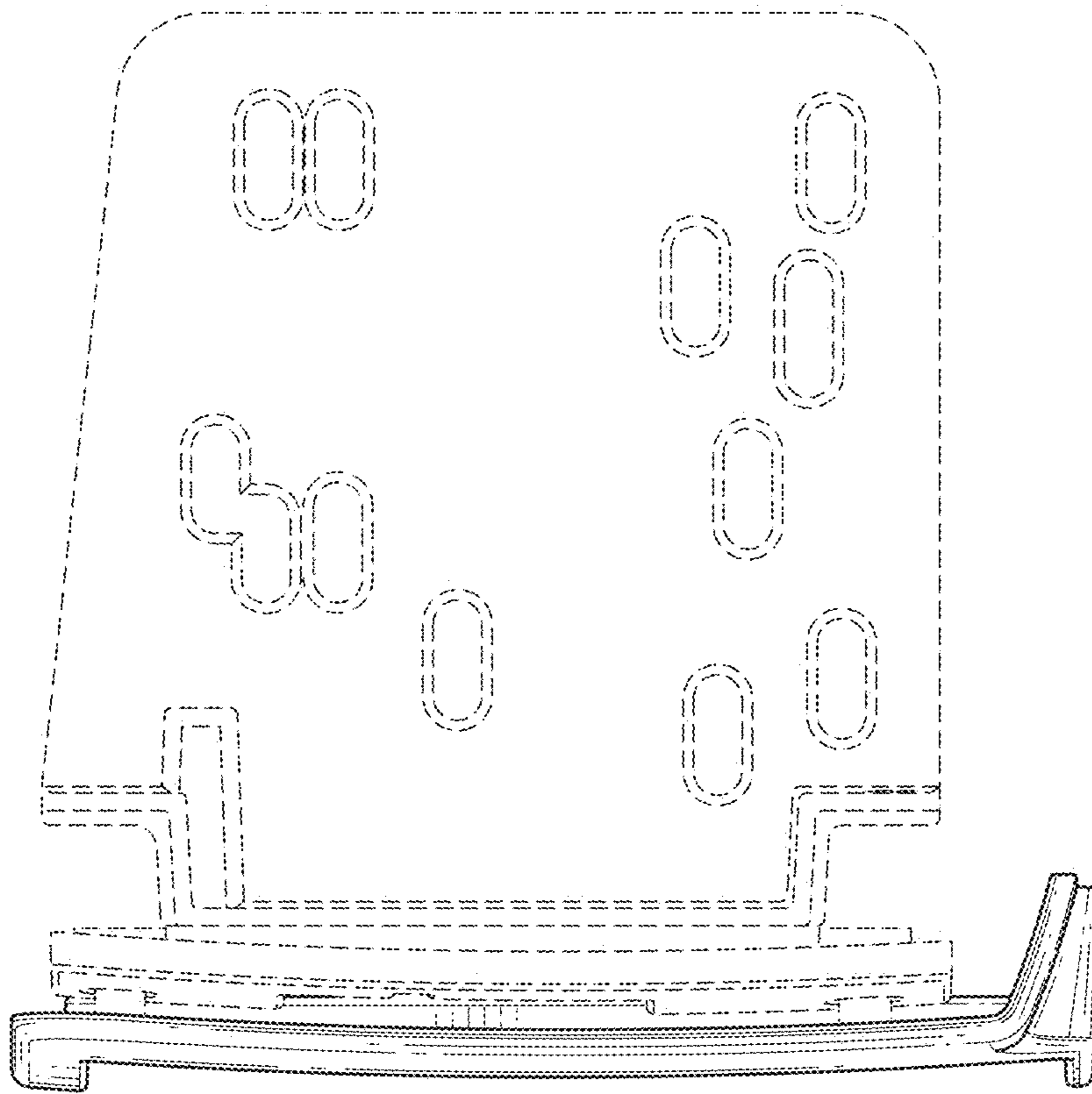


FIG. 6

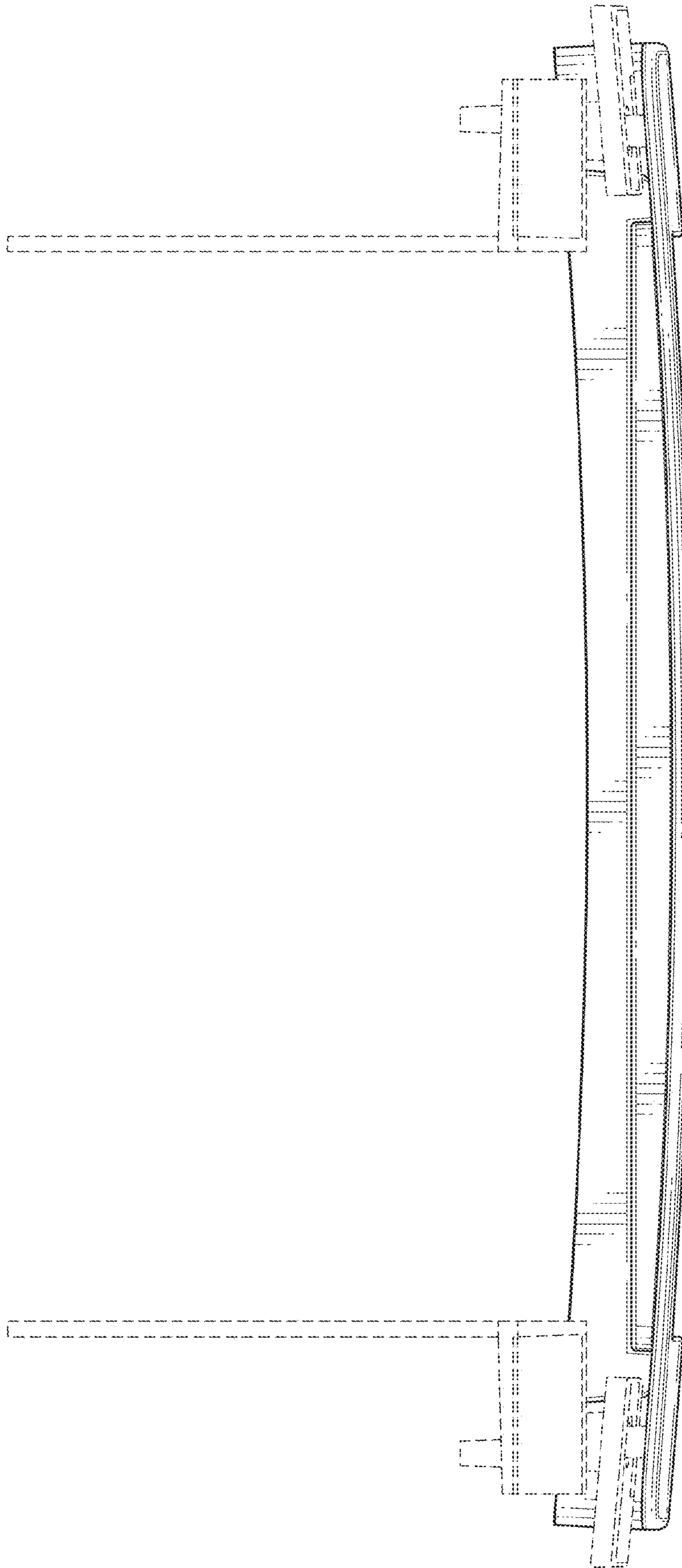


FIG. 7



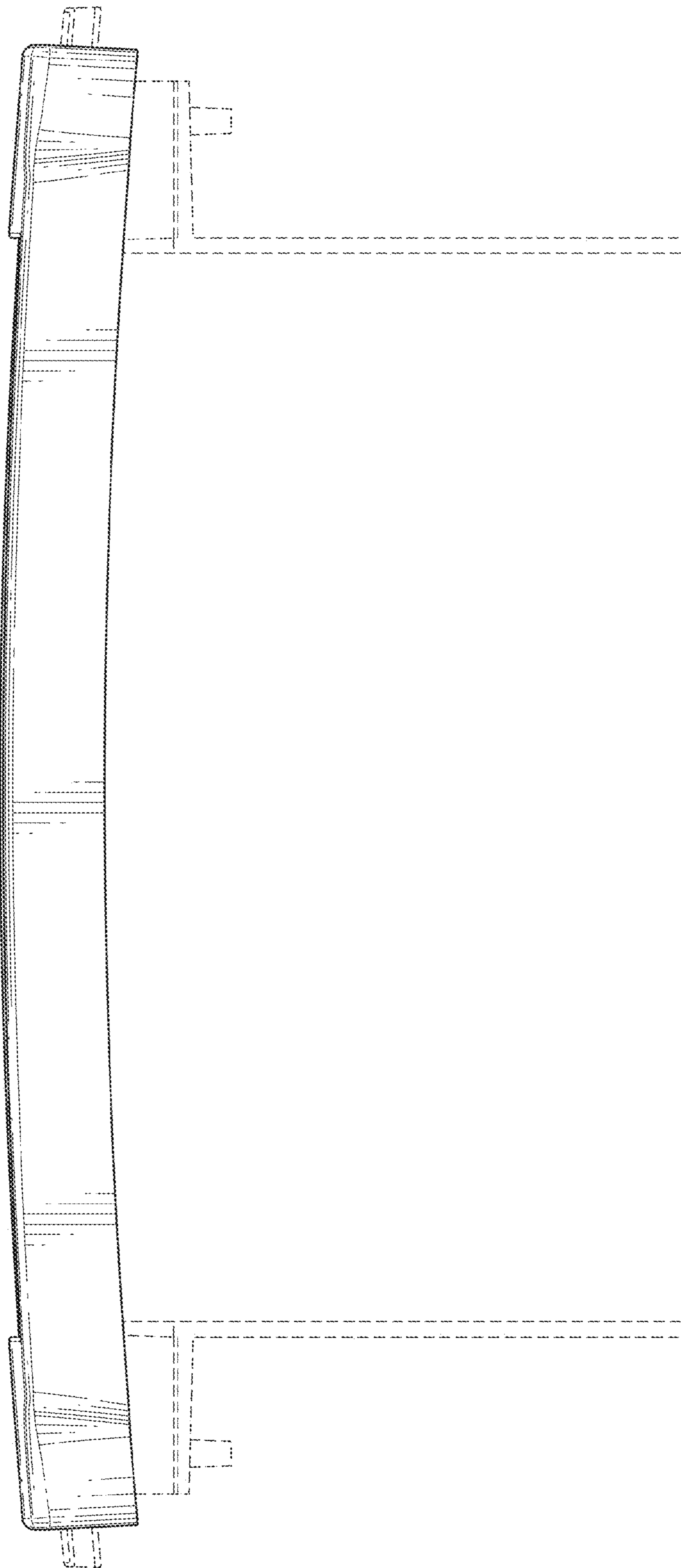


FIG. 8