

US00D969794S

(12) **United States Design Patent** (10) **Patent No.:** **US D969,794 S**
Barbour, Jr. et al. (45) **Date of Patent:** **** Nov. 15, 2022**

(54) **OBJECT HOLDER**
(71) Applicants: **Robert Elliott Barbour, Jr.**, Fort Worth, TX (US); **Ashley Diane Barbour**, Fort Worth, TX (US)
(72) Inventors: **Robert Elliott Barbour, Jr.**, Fort Worth, TX (US); **Ashley Diane Barbour**, Fort Worth, TX (US)
(**) Term: **15 Years**
(21) Appl. No.: **29/847,816**
(22) Filed: **Jul. 27, 2022**
(51) **LOC (13) Cl.** **14-03**
(52) **U.S. Cl.**
USPC **D14/253; D6/512**
(58) **Field of Classification Search**
USPC D14/251-253, 447, 217, 250, 440;
D3/218; D12/415; D13/108; D6/312,
D6/313, 512, 563, 566, 572, 674
CPC A45C 2011/002; A45F 2200/0516; H04B
2001/3861; H04M 1/04
See application file for complete search history.

(56) **References Cited**
U.S. PATENT DOCUMENTS
D22,869 S * 11/1893 Willi D6/312
D91,922 S * 4/1934 Chapman D6/563
D115,832 S * 7/1939 Koch D6/572
D127,801 S * 6/1941 Heausler D6/312
D207,706 S * 5/1967 Myers et al. D6/512
D282,136 S * 1/1986 Skermetta D7/675
D283,786 S * 5/1986 Chap D8/372
D318,589 S * 7/1991 Szadkowski D6/716.2
D333,771 S * 3/1993 Aoki D8/72
D488,674 S * 4/2004 O'Neill D7/515
D588,027 S * 3/2009 Cowen D10/46.1
D594,253 S * 6/2009 Lippert D6/312
D610,474 S * 2/2010 Cowen D10/46.1

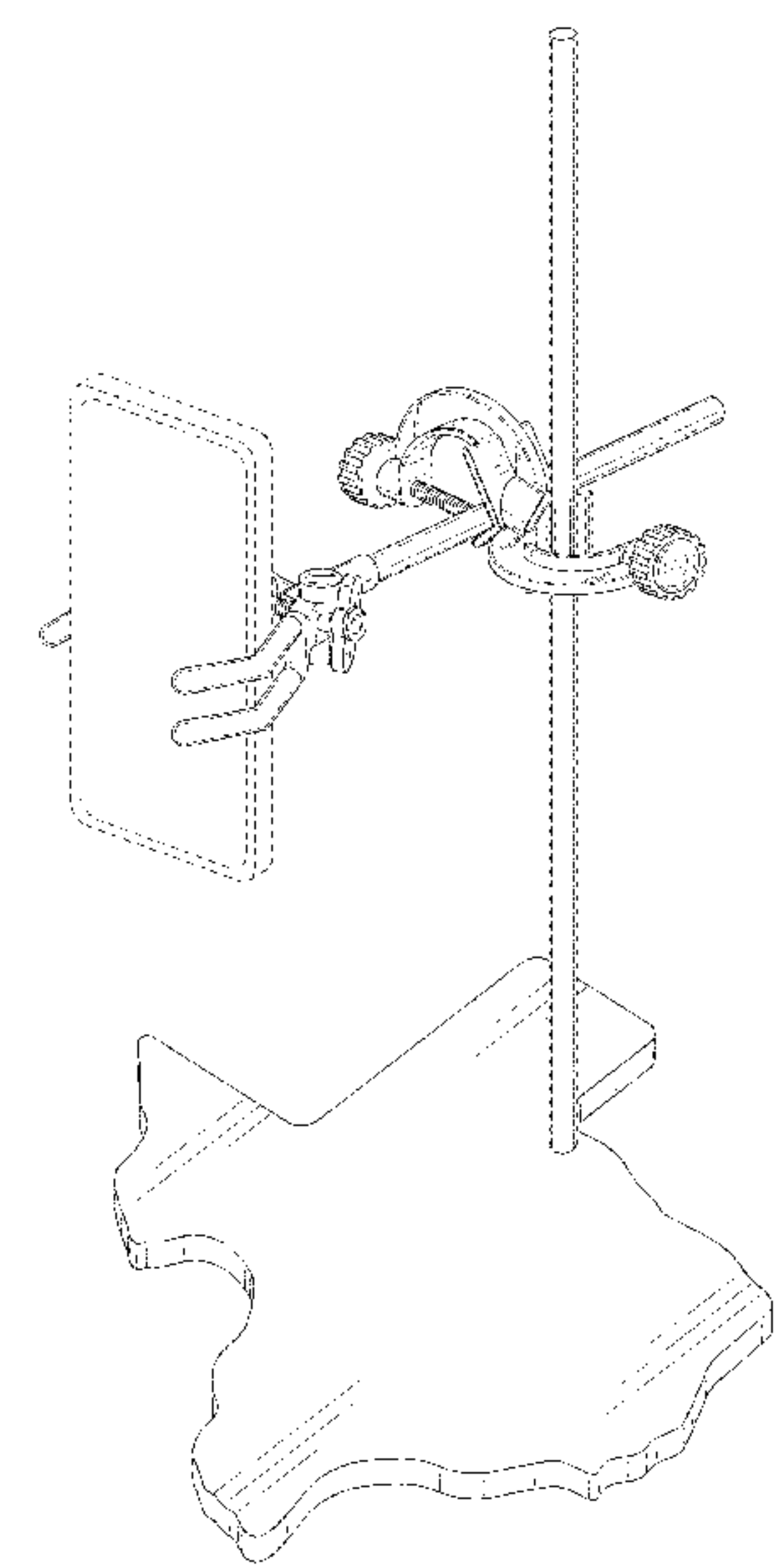
D623,001 S * 9/2010 Lovay D7/334
D626,763 S * 11/2010 Koh D6/312
D654,054 S * 2/2012 Kohte F16M 11/28
D14/254
D654,318 S * 2/2012 O'Neill D7/509
D662,384 S * 6/2012 Jonsson D8/51
D673,032 S * 12/2012 Tak D8/395
D681,714 S * 5/2013 Lin D14/251
D716,788 S * 11/2014 Volkan D14/252
D765,996 S * 9/2016 Dolar A47G 1/24
D6/312
D774,324 S * 12/2016 Gilbert D6/563
D777,021 S * 1/2017 Dew D8/394
D789,099 S * 6/2017 Gorman D6/312
D792,971 S * 7/2017 Greenizen D8/395
(Continued)

Primary Examiner — Janice Hallmark
(74) *Attorney, Agent, or Firm* — Quickpatents, LLC;
Kevin Prince

(57) **CLAIM**
The ornamental design for an object holder, as shown and described.

DESCRIPTION
FIG. 1 is a top perspective view of an object holder, showing our new design in use with an object;
FIG. 2 is a top perspective view thereof, illustrated with the object removed for clarity of illustration;
FIG. 3 is a front elevational view thereof;
FIG. 4 is a rear elevational view thereof;
FIG. 5 is a left-side elevational view thereof;
FIG. 6 is a right-side elevational view thereof;
FIG. 7 is a top plan view thereof; and,
FIG. 8 is a bottom plan view thereof.
The broken lines depicting an object in FIG. 1 depict environmental matter that forms no part of the claimed design. The broken lines in FIG. 8 depict portions of the object holder that form no part of the claimed design.

1 Claim, 8 Drawing Sheets



(56)

References Cited

U.S. PATENT DOCUMENTS

D795,684	S *	8/2017	Cacciabeve	F21V 19/02
				D8/394
D795,882	S *	8/2017	Maldonado	D14/447
D797,549	S *	9/2017	Dew	D8/394
D817,947	S *	5/2018	Toussi	D3/218
D825,573	S *	8/2018	Belitz	D14/447
D870,093	S *	12/2019	McSweyn	D14/253
D880,998	S *	4/2020	Kilgore	D8/391
D888,502	S *	6/2020	Barbour, Jr.	D7/619.1
D901,117	S *	11/2020	Busby	D32/43
D903,435	S *	12/2020	Schneider	D7/669
D931,024	S *	9/2021	Cao	D6/681
D932,851	S *	10/2021	Schneider	D7/669
D951,720	S *	5/2022	Schneider	D7/669
D952,357	S *	5/2022	Day	D6/312
D953,453	S *	5/2022	Boyhan	D21/686
2020/0128962	A1 *	4/2020	Acevedo	F16M 11/2021
2022/0010566	A1 *	1/2022	Kotter	E04G 5/003
2022/0014223	A1 *	1/2022	Hall-Henderson	G06F 3/165
2022/0026056	A1 *	1/2022	Smith	F21S 9/02

* cited by examiner

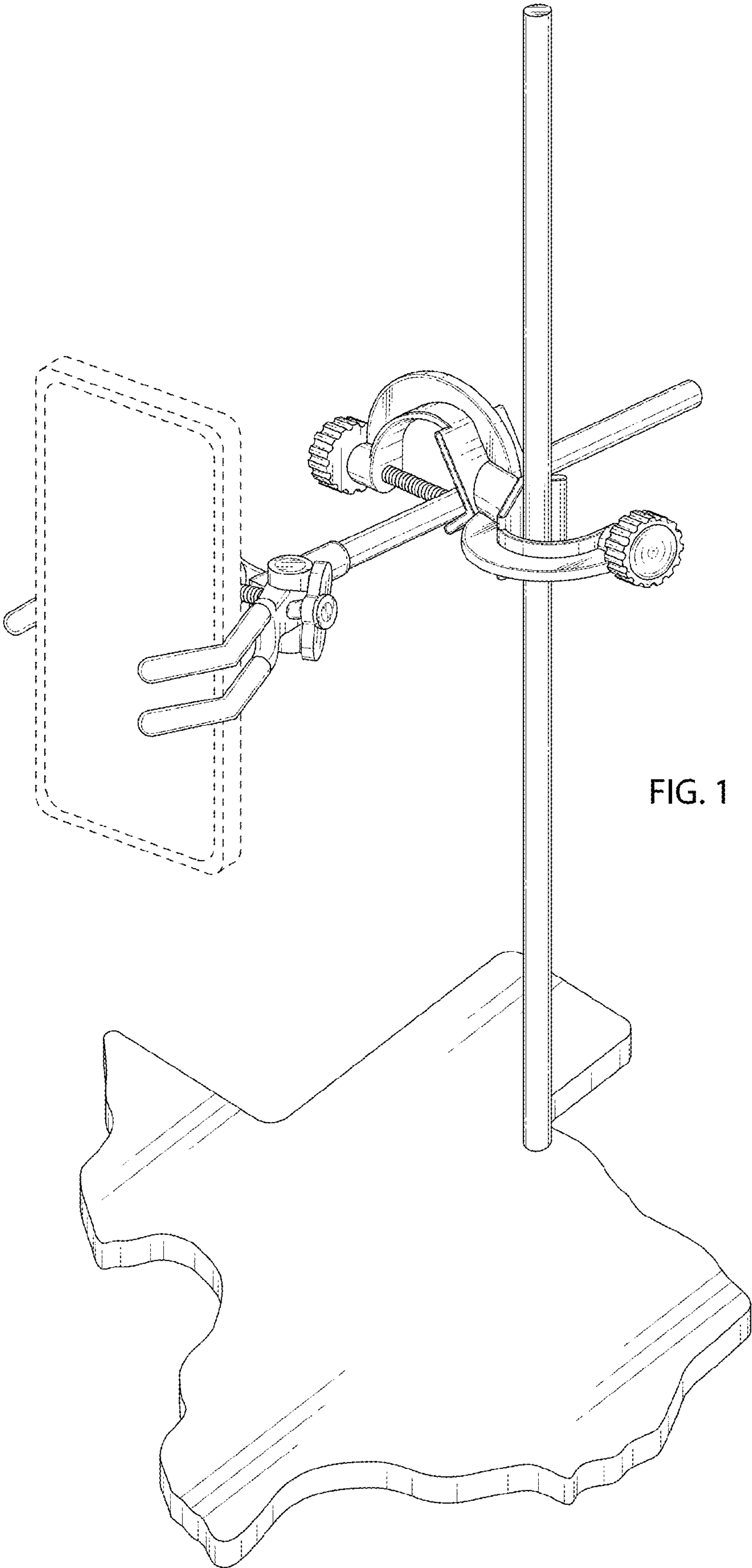


FIG. 1

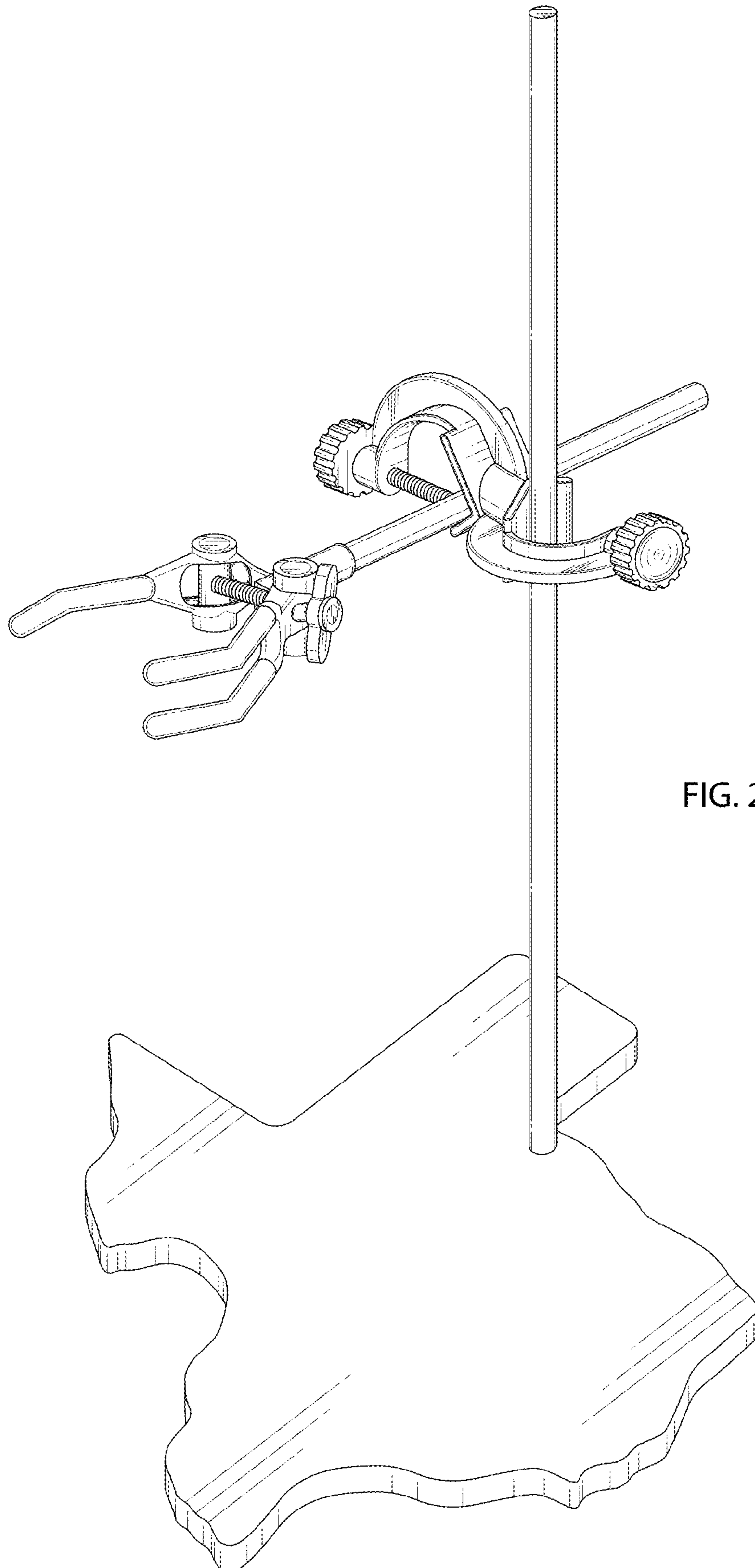


FIG. 2

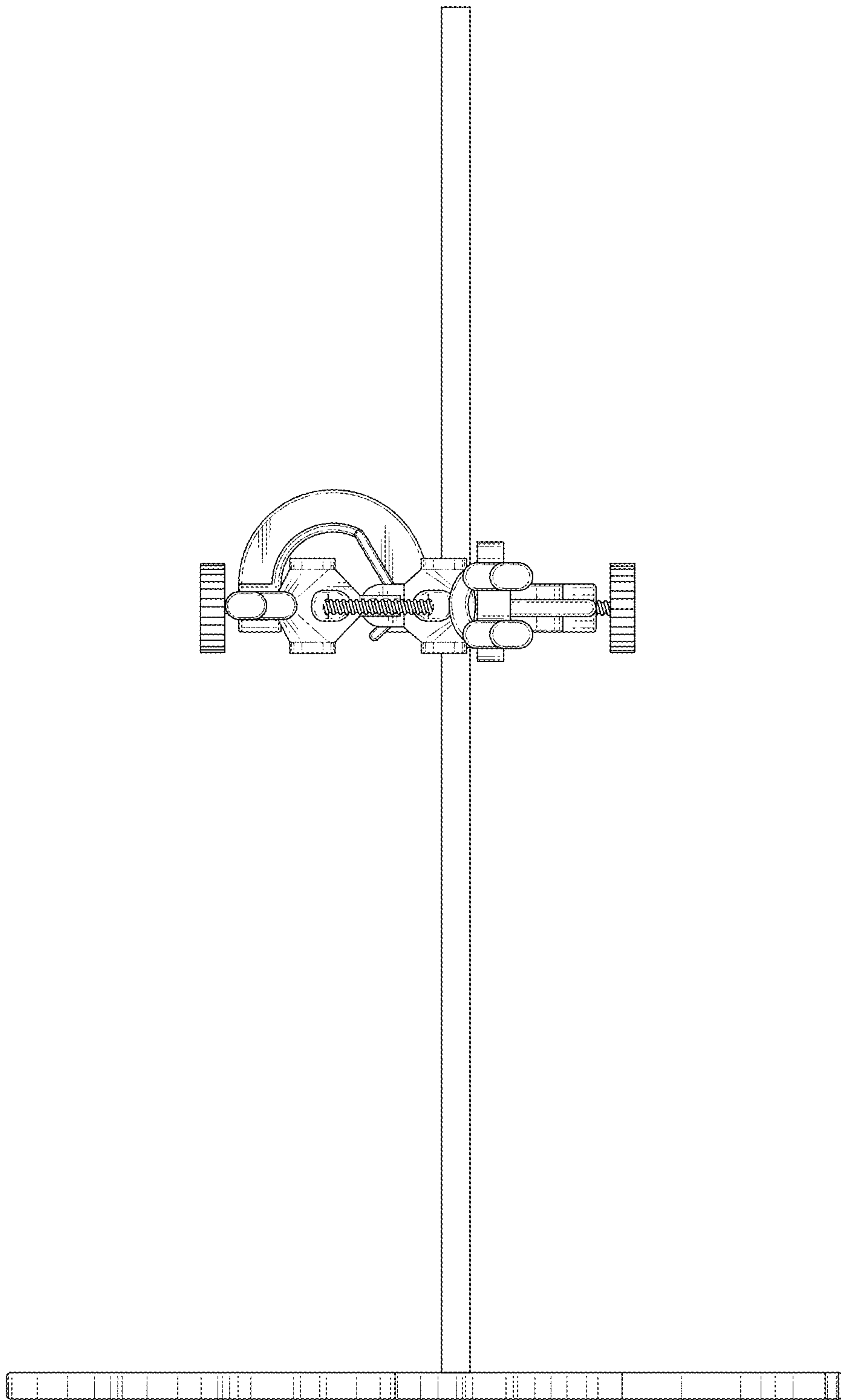


FIG. 3

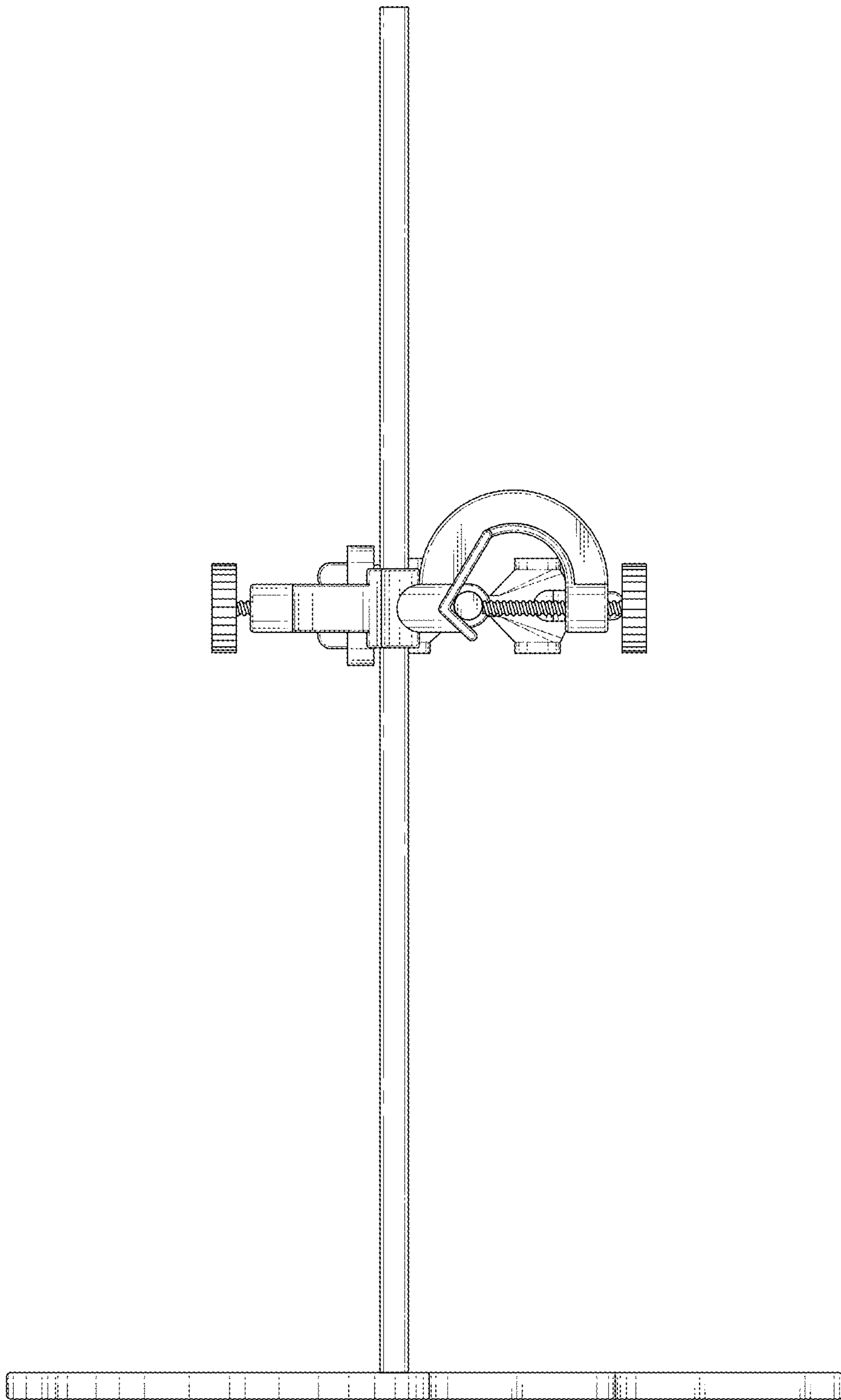


FIG. 4

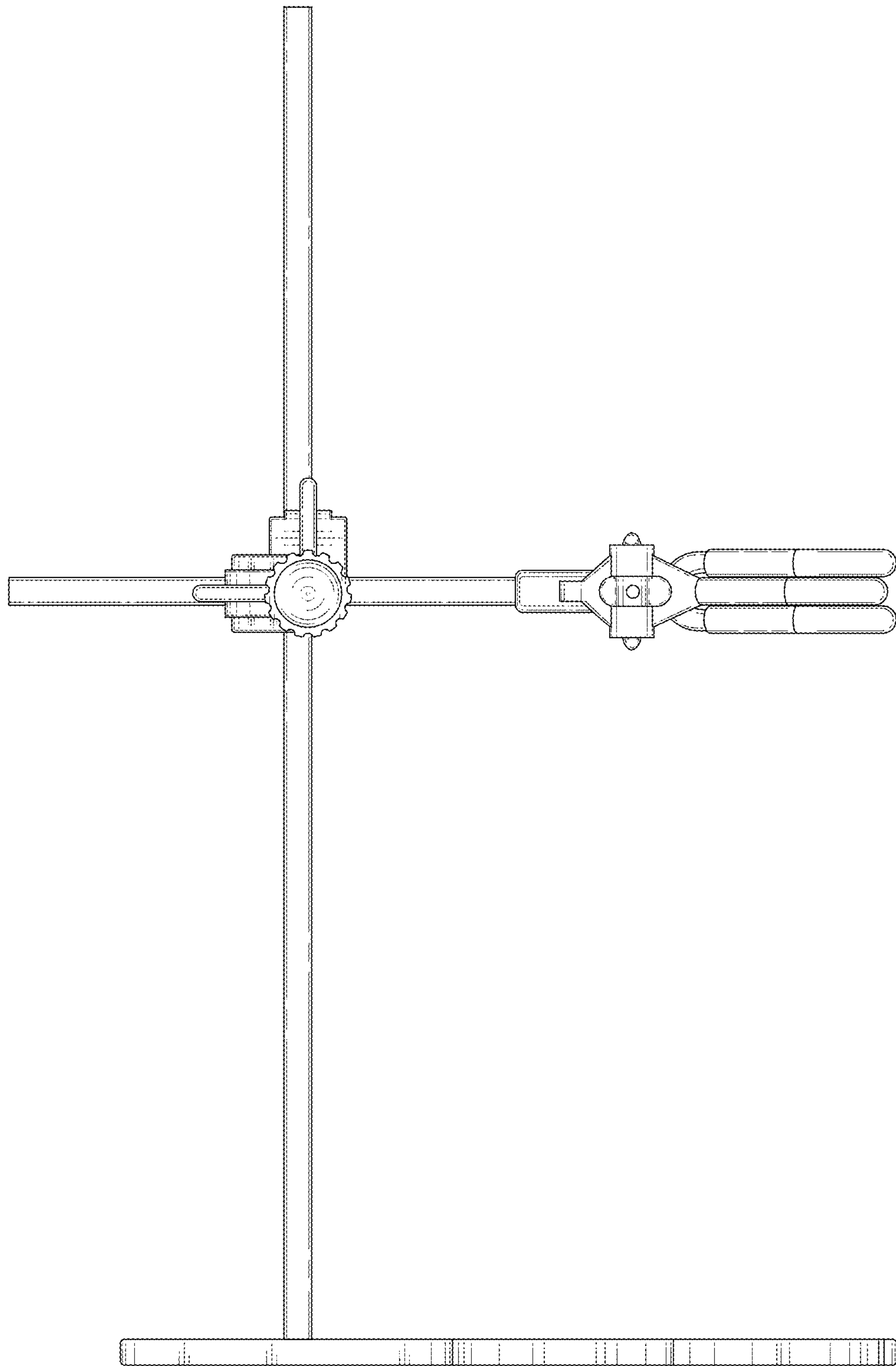


FIG. 5

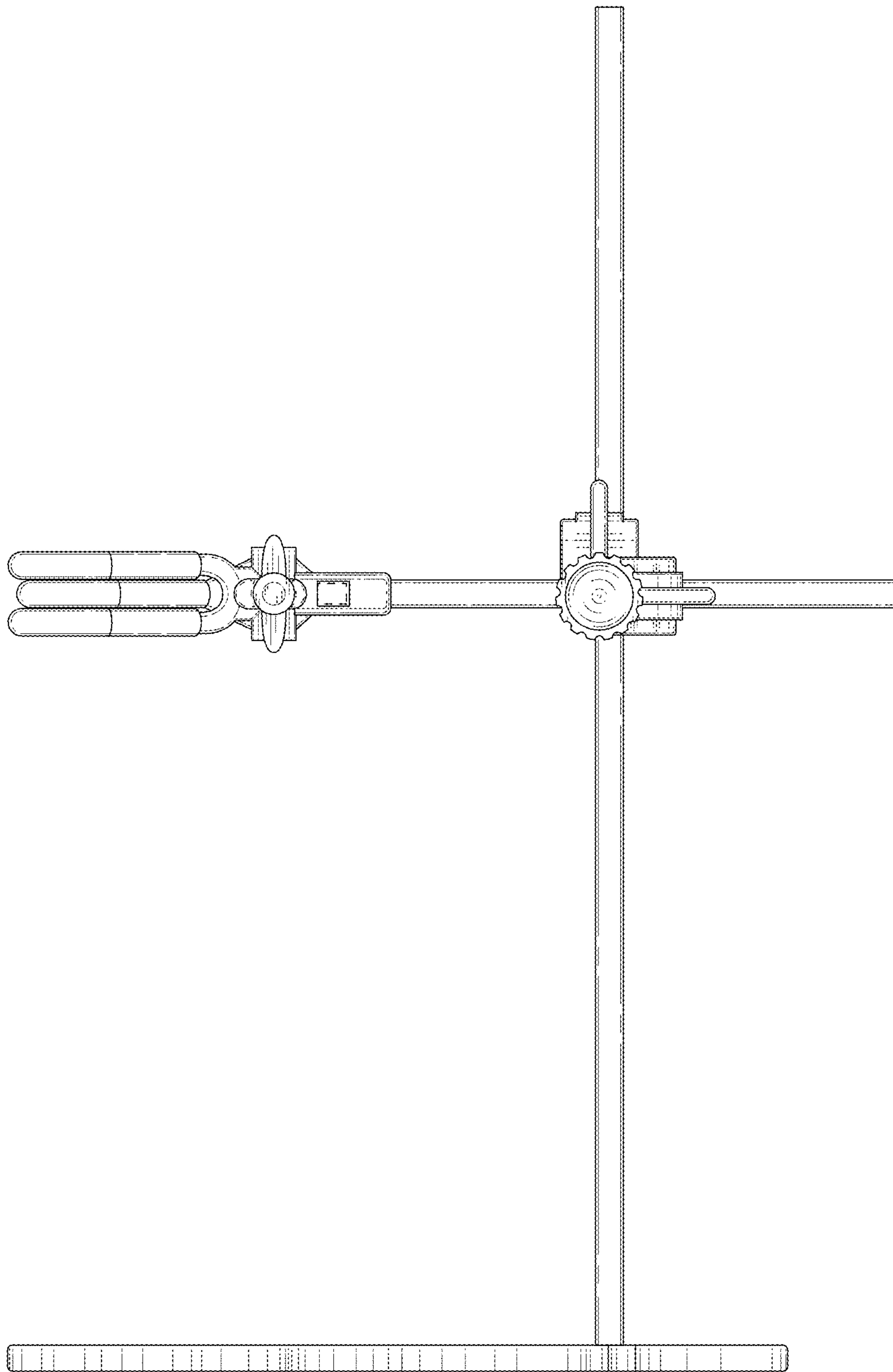


FIG. 6

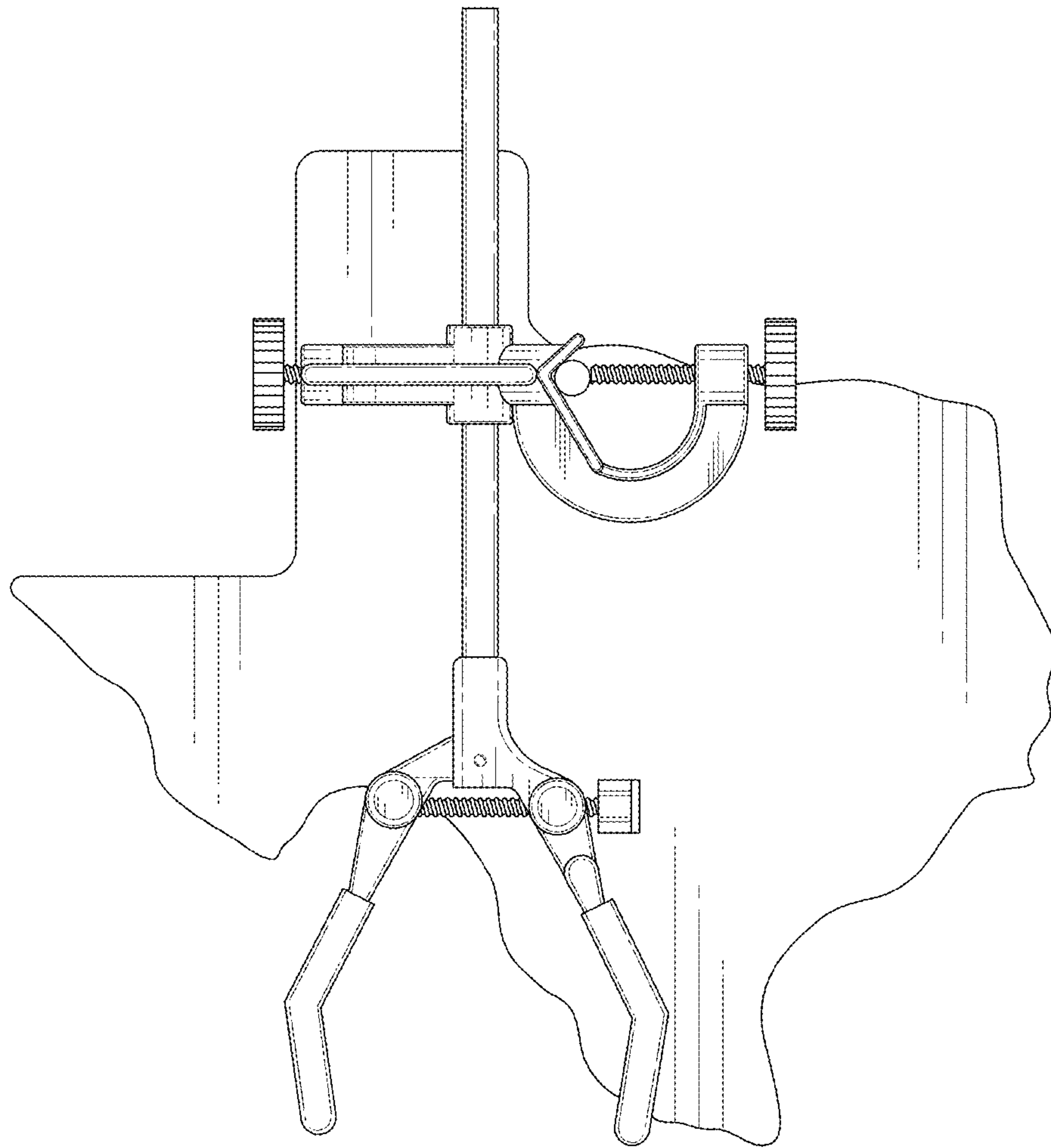


FIG. 7

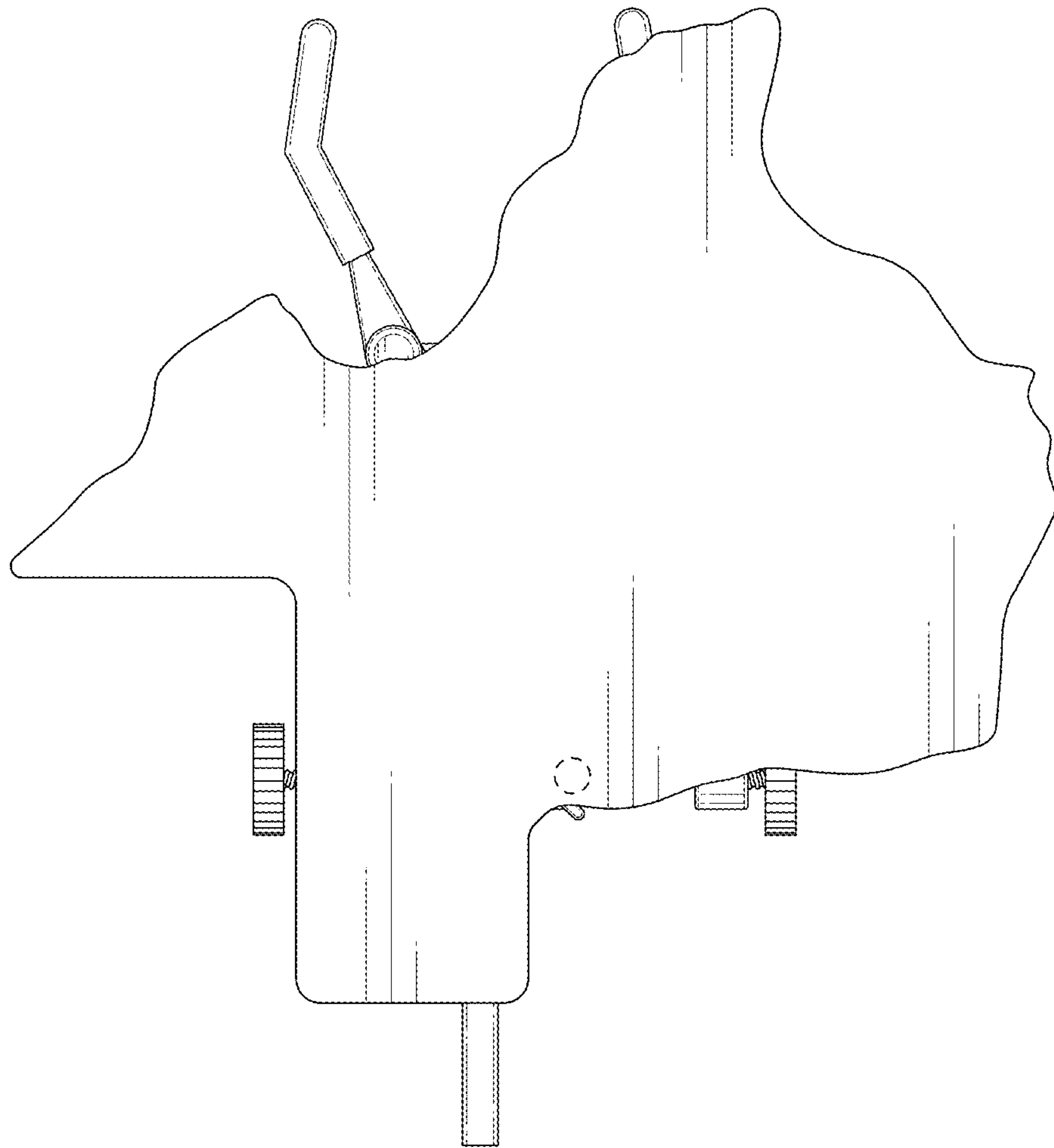


FIG. 8