



US00D969793S

(12) **United States Design Patent**  
**Esselstrom et al.**

(10) **Patent No.:** **US D969,793 S**

(45) **Date of Patent:** **\*\* Nov. 15, 2022**

(54) **CLIP**

(71) Applicant: **Microsoft Corporation**, Redmond, WA (US)

(72) Inventors: **Tyler Paul Esselstrom**, Seattle, WA (US); **Joseph Wheeler**, Sammamish, WA (US); **Kenneth Lobb**, Sammamish, WA (US)

(73) Assignee: **Microsoft Corporation**, Redmond, WA (US)

(\*\*) Term: **15 Years**

(21) Appl. No.: **29/690,517**

(22) Filed: **May 8, 2019**

(51) **LOC (13) Cl.** ..... **14-03**

(52) **U.S. Cl.**  
USPC ..... **D14/253; D21/333**

(58) **Field of Classification Search**  
USPC ..... D14/251-253, 447, 240, 401; D21/333  
CPC ..... F16B 2/22; A63F 13/98; A63F 13/23;  
H04M 1/06; H04M 1/11; H04M 1/12;  
H04M 1/6075; H04M 1/724  
See application file for complete search history.

(56) **References Cited**

U.S. PATENT DOCUMENTS

D642,222	S	*	7/2011	Pezzoni	.....	D21/333
D664,952	S	*	8/2012	Richter	.....	D14/253
D710,946	S	*	8/2014	Biheller	.....	D14/401
D712,970	S	*	9/2014	Biheller	.....	D21/333
D769,235	S	*	10/2016	Li	.....	D14/253
D844,716	S	*	4/2019	Gan	.....	D14/401
D851,710	S	*	6/2019	Zhou	.....	D14/401
D867,355	S	*	11/2019	Chun	.....	D14/253
D870,093	S	*	12/2019	McSweyn	.....	D14/253
D872,727	S	*	1/2020	Chung	.....	D12/415
D883,274	S	*	5/2020	Liu	.....	D14/253

D886,094	S	*	6/2020	Xu	.....	D14/253
D905,170	S	*	12/2020	Fuchs	.....	D21/333
10,905,948	B1	*	2/2021	Nevarez	.....	G06F 3/0393
D912,680	S	*	3/2021	Zheng	.....	D14/447
D915,413	S	*	4/2021	Lou	.....	D14/447
D918,190	S	*	5/2021	Hong	.....	D14/253
D928,794	S	*	8/2021	Kaluza	.....	D14/452
D929,390	S	*	8/2021	Bai	.....	D14/253
D929,392	S	*	8/2021	Shi	.....	D14/253
D936,744	S	*	11/2021	Singanallur Murali	.....	D21/333
D938,409	S	*	12/2021	Zheng	.....	D14/253
D947,199	S	*	3/2022	Chen	.....	D14/447
D947,831	S	*	4/2022	Zhao	.....	D14/253
D951,852	S	*	5/2022	Ackeret	.....	D12/416
2014/0364231	A1	*	12/2014	Cramer	.....	A63F 13/23 463/37
2015/0174482	A1	*	6/2015	Hirshberg	.....	A63F 13/92 463/37

(Continued)

*Primary Examiner* — Janice Hallmark

(74) *Attorney, Agent, or Firm* — Banner & Witcoff, Ltd.

(57) **CLAIM**

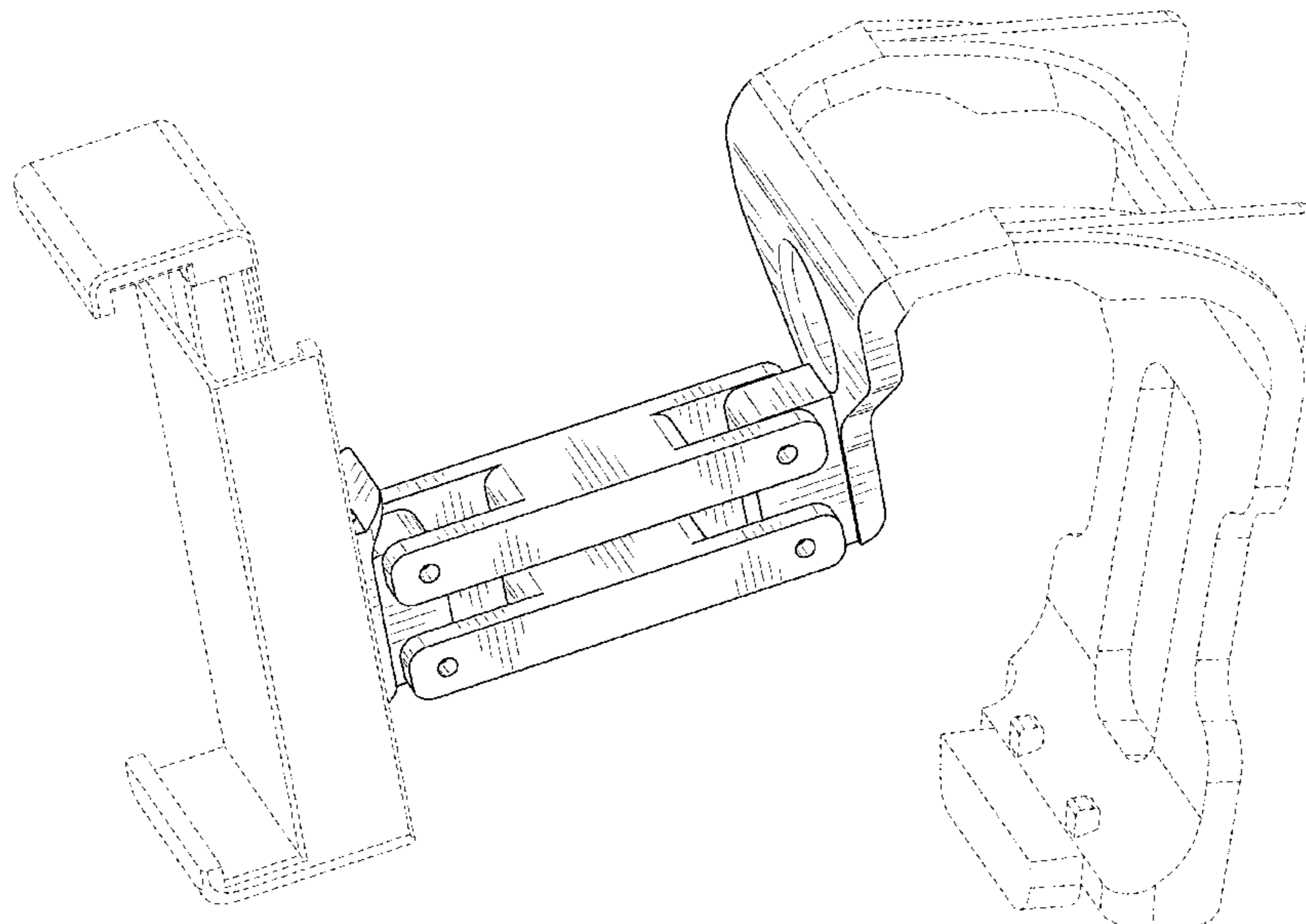
The ornamental design for a clip, as shown and described.

**DESCRIPTION**

FIG. 1 is a top right front isometric view of a clip showing our new design;  
FIG. 2 is bottom right rear isometric view thereof;  
FIG. 3 is a front view thereof;  
FIG. 4 is a rear view thereof;  
FIG. 5 is a right side view thereof;  
FIG. 6 is a left side view thereof;  
FIG. 7 is a top view thereof; and,  
FIG. 8 is a bottom view thereof.

The dash-dash broken lines illustrate unclaimed environment and the dash-dot-dash lines adjacent to unshaded portions depict boundaries of the claim; all broken lines form no part of the claimed design.

**1 Claim, 6 Drawing Sheets**



(56)

**References Cited**

U.S. PATENT DOCUMENTS

2017/0264329 A1\* 9/2017 Balmer ..... F16M 11/10  
2019/0118972 A1\* 4/2019 Yan ..... F16M 13/00  
2019/0379231 A1\* 12/2019 Gonzalez ..... A63F 13/98  
2020/0078691 A1\* 3/2020 Stark ..... A63F 13/245  
2020/0353369 A1\* 11/2020 Esselstrom ..... F16B 2/22  
2020/0398171 A1\* 12/2020 McDole ..... A63F 13/98

\* cited by examiner

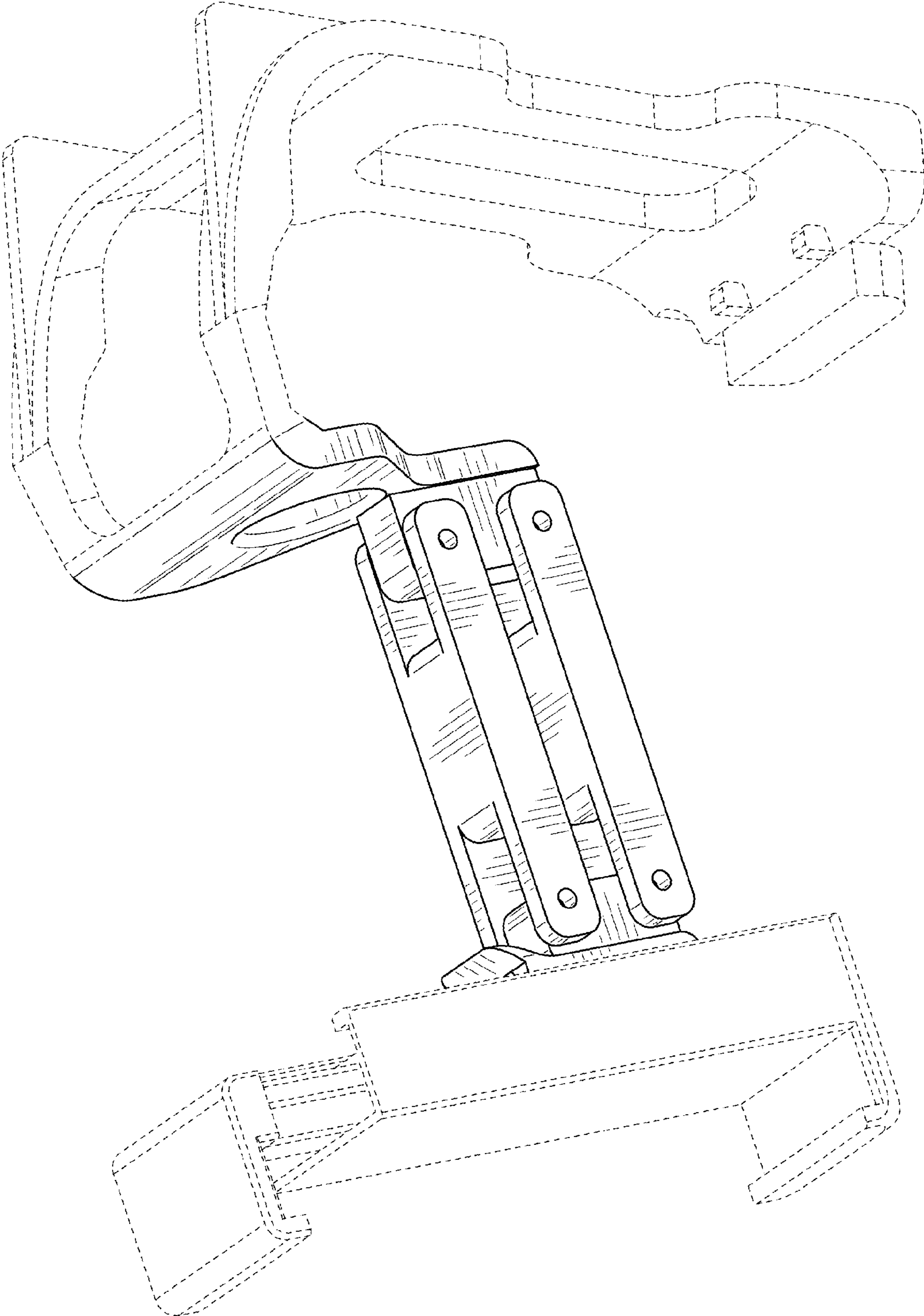


FIG. 1

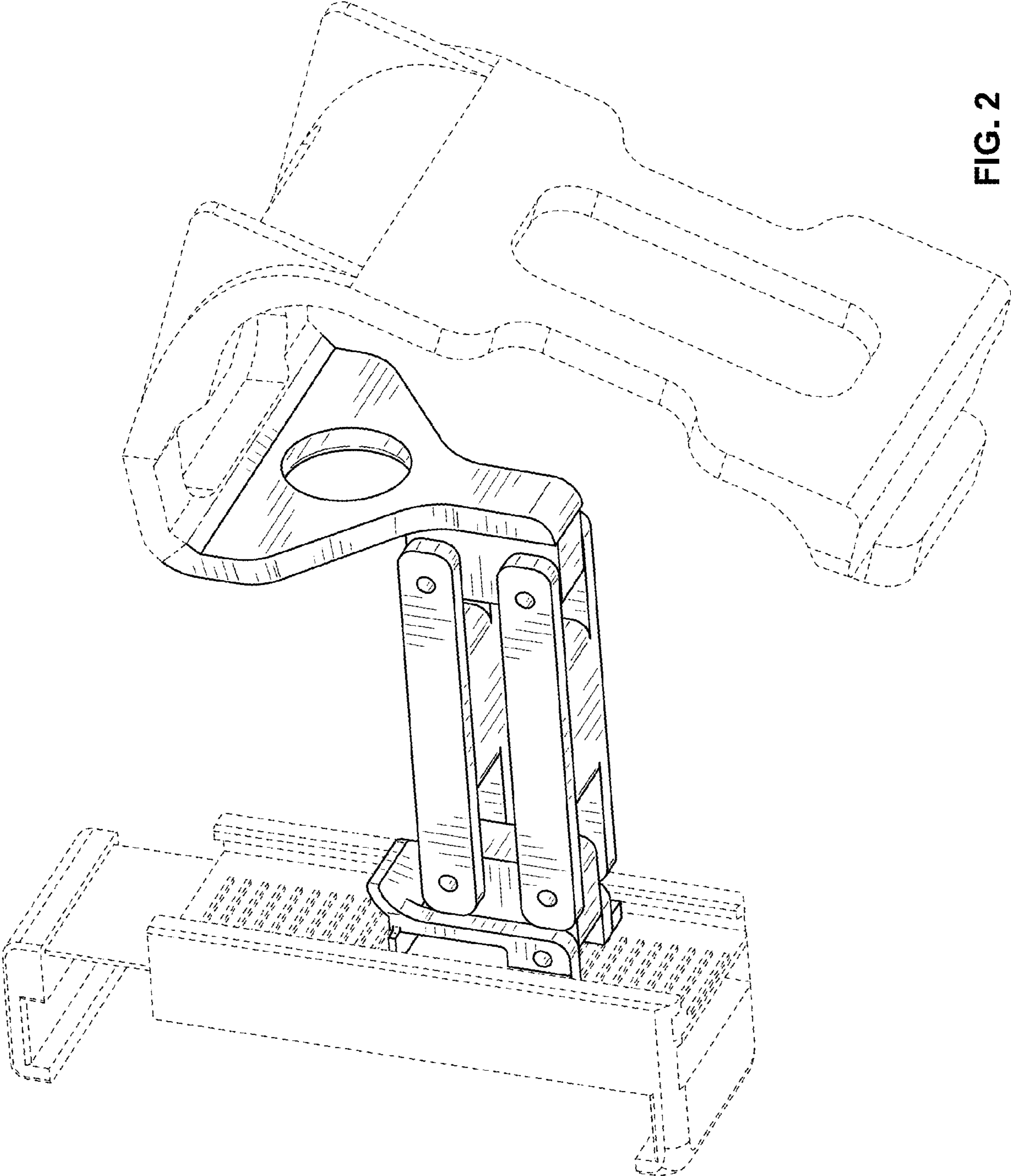


FIG. 2

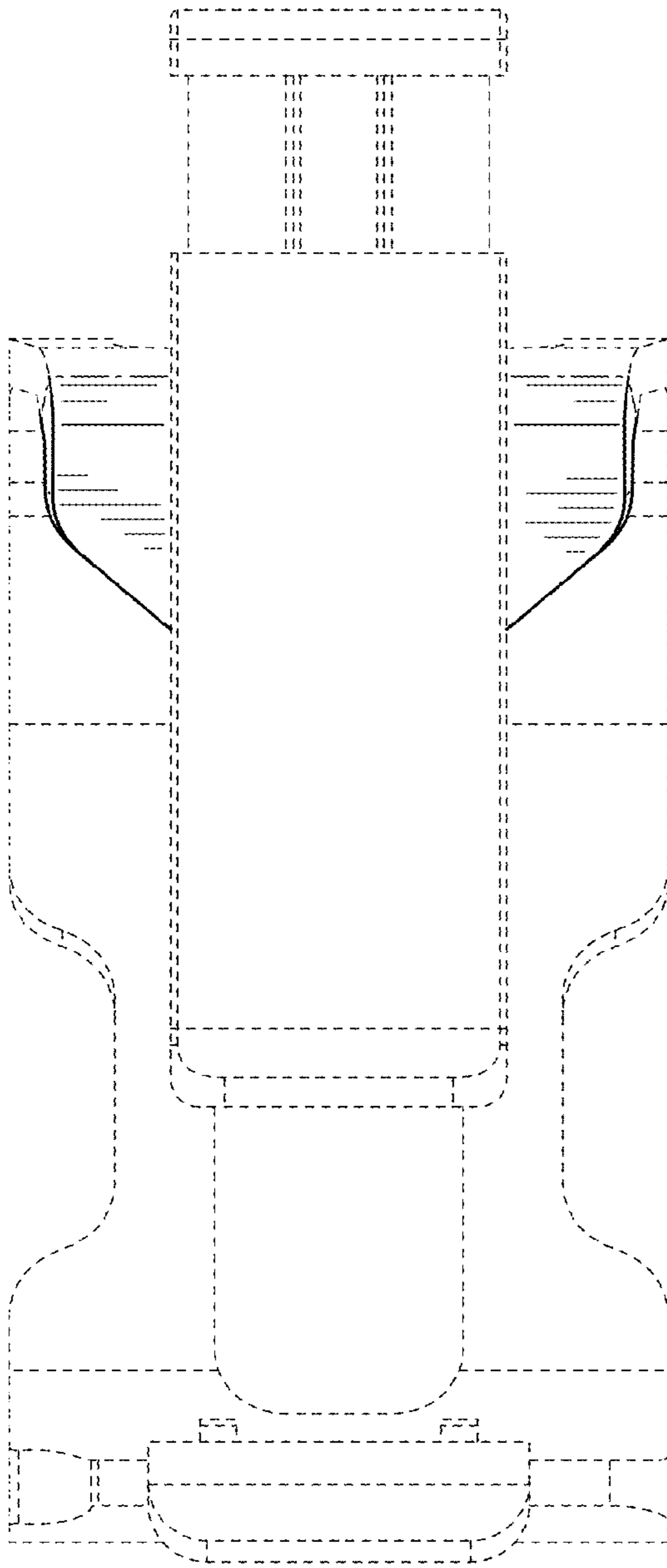


FIG. 3

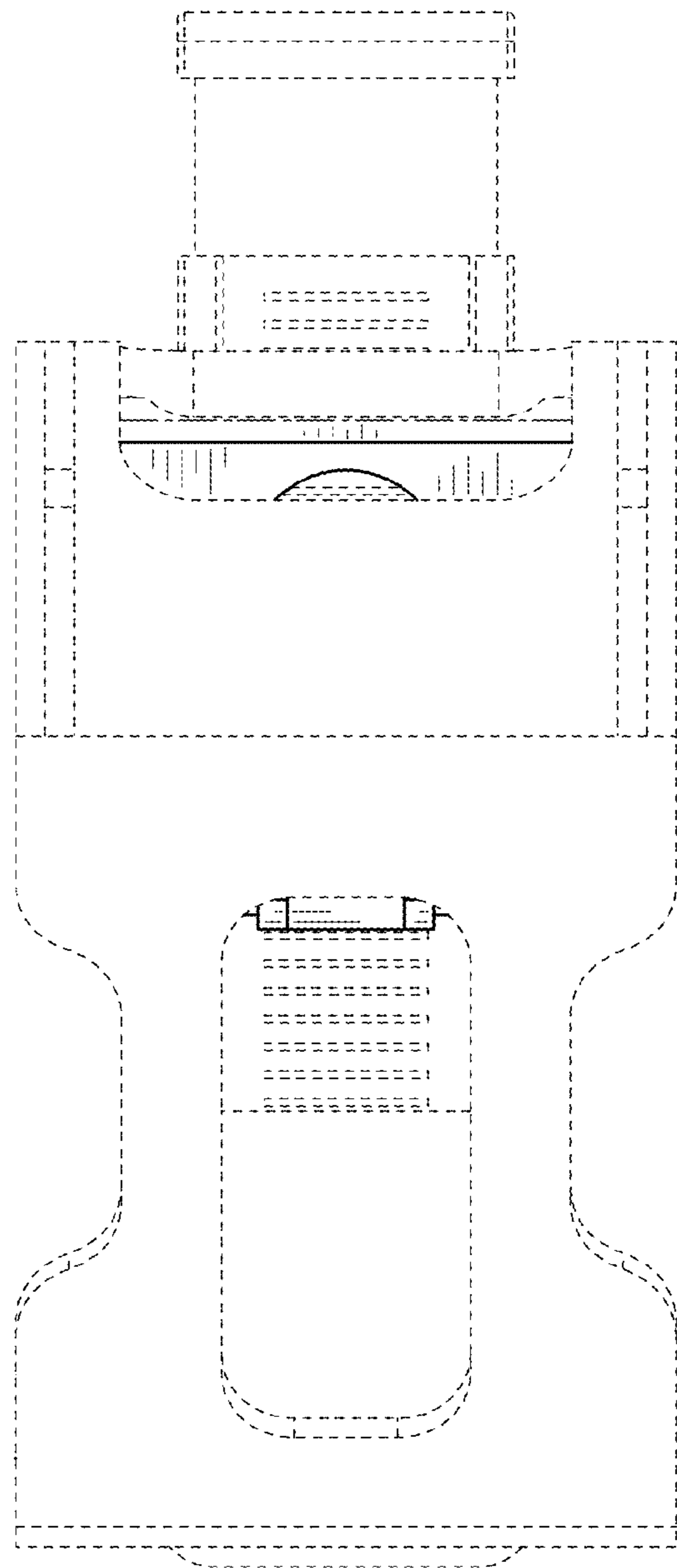


FIG. 4

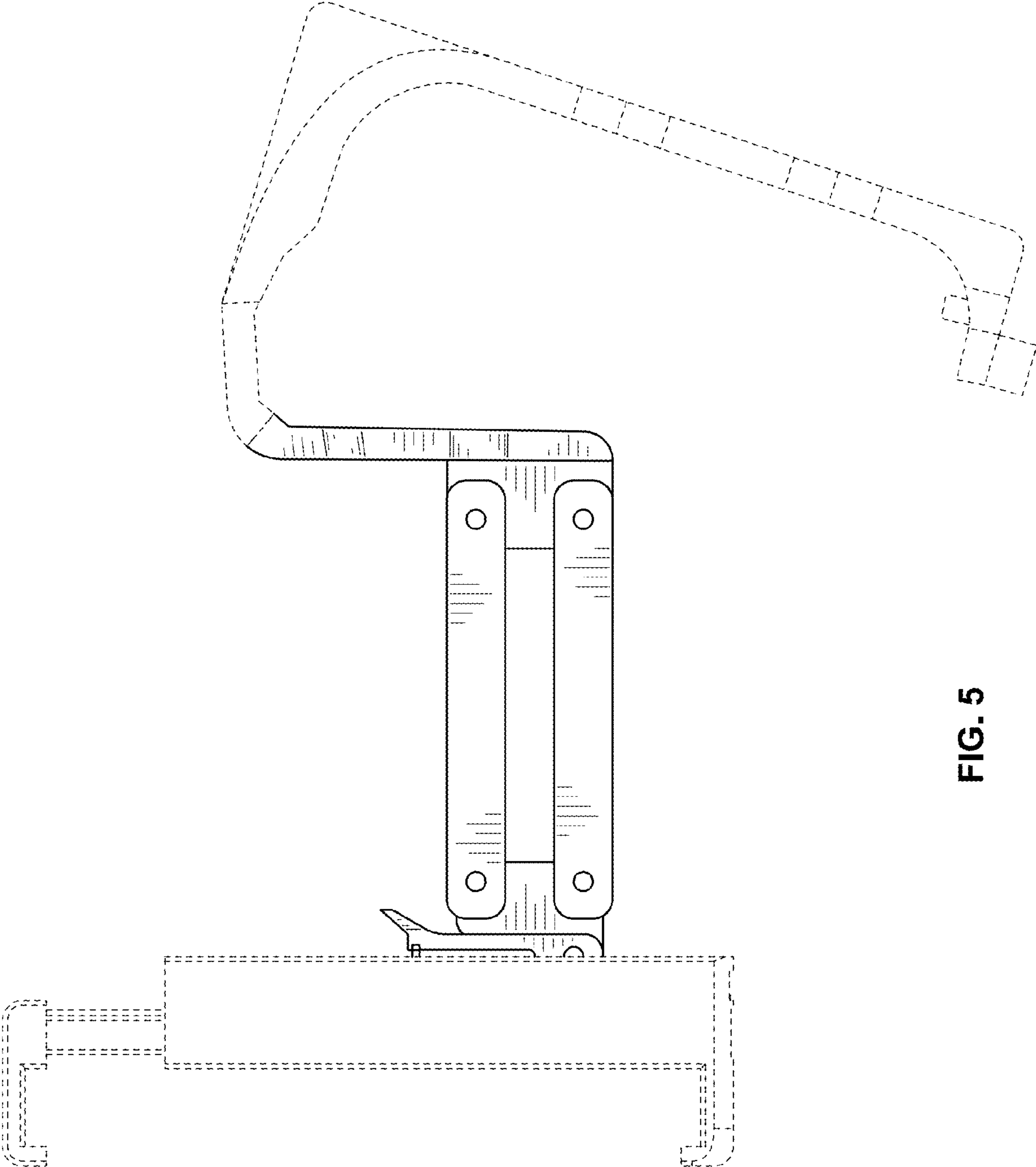


FIG. 5

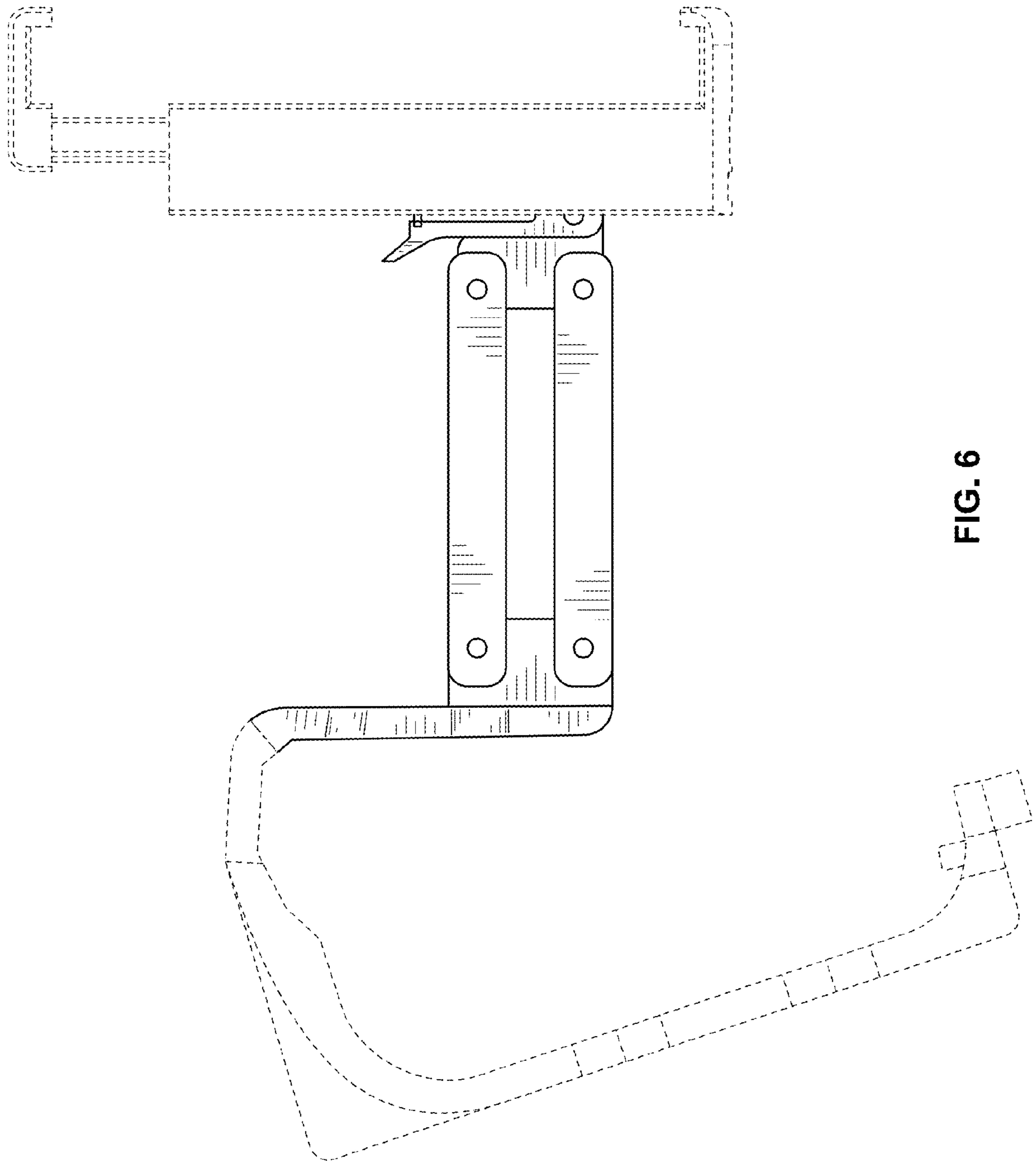


FIG. 6

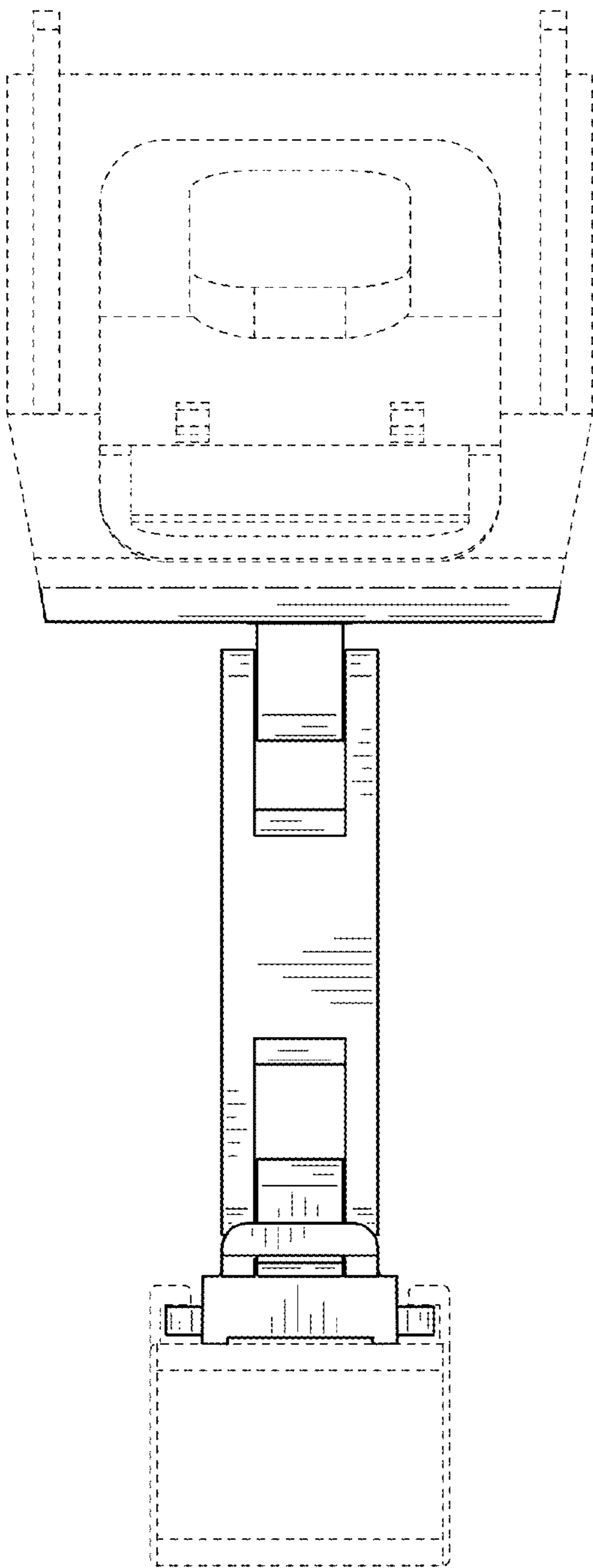


FIG. 7

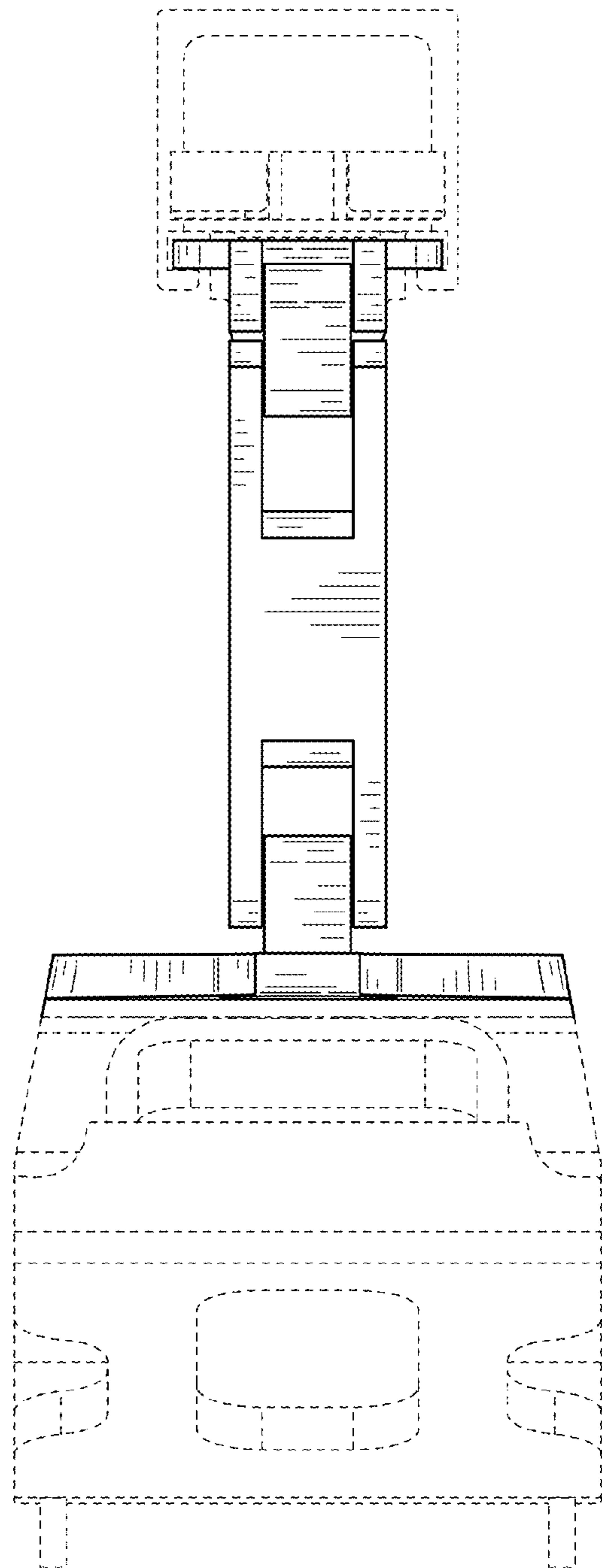


FIG. 8