

US00D969792S

(12) **United States Design Patent**
Wang

(10) **Patent No.:** **US D969,792 S**

(45) **Date of Patent:** **** Nov. 15, 2022**

(54) **MOBILE PHONE SHELL**

(71) Applicant: **Jinling Wang, Yichun (CN)**

(72) Inventor: **Jinling Wang, Yichun (CN)**

(**) Term: **15 Years**

(21) Appl. No.: **29/798,618**

(22) Filed: **Jul. 9, 2021**

(51) **LOC (13) Cl.** **14-03**

(52) **U.S. Cl.**
USPC **D14/250**

(58) **Field of Classification Search**
USPC D14/203.3–203.7, 439, 251–253, 447,
D14/217, 240, 238.1, 440, 248, 250;
D13/103, 107–108, 119; D3/201, 218,
D3/247, 249, 269, 273, 301, 303
CPC H04B 1/3888; A45C 11/00; A45C 13/02;
A45C 2011/002; A45C 1/06; A45F
2200/0525; A45F 2005/026; A45F
2200/0516; H04M 1/0283; H04M 1/0202
See application file for complete search history.

(56) **References Cited**

U.S. PATENT DOCUMENTS

D692,419 S *	10/2013	Rayner	D14/250
D698,775 S	2/2014	Huang		
D778,271 S *	2/2017	Stump	D14/250
D787,498 S *	5/2017	Chen	D14/250
D792,875 S *	7/2017	Kim	D14/250
D809,495 S *	2/2018	Dukerschein	D14/250
D816,653 S *	5/2018	Yu	D14/250
D831,638 S *	10/2018	Kim	D14/250
D841,640 S	2/2019	Huang		
D842,848 S *	3/2019	Kim	D14/250
D863,286 S	10/2019	Hong		
D868,765 S *	12/2019	Batta	D14/250
10,542,802 B1 *	1/2020	Brown	A45F 5/00
D877,135 S *	3/2020	Kim	D14/250

D882,559 S *	4/2020	Truong	D14/250
D896,212 S *	9/2020	Wang	D14/250
D896,804 S *	9/2020	Lin	D14/250
D902,913 S *	11/2020	Lee	D14/250
D906,317 S *	12/2020	Kim	D14/250
D906,326 S *	12/2020	Kim	D14/250
D908,121 S *	1/2021	Weng	D14/250
D908,674 S *	1/2021	Kim	D14/250
D908,679 S *	1/2021	Kim	D14/250
D917,445 S *	4/2021	Li	D14/250
D934,850 S *	11/2021	Weng	D14/250
D936,047 S *	11/2021	Feng	D14/250
2014/0221056 A1 *	8/2014	Gandhi	H04B 1/3888 455/575.8

(Continued)

Primary Examiner — Carla J Wright

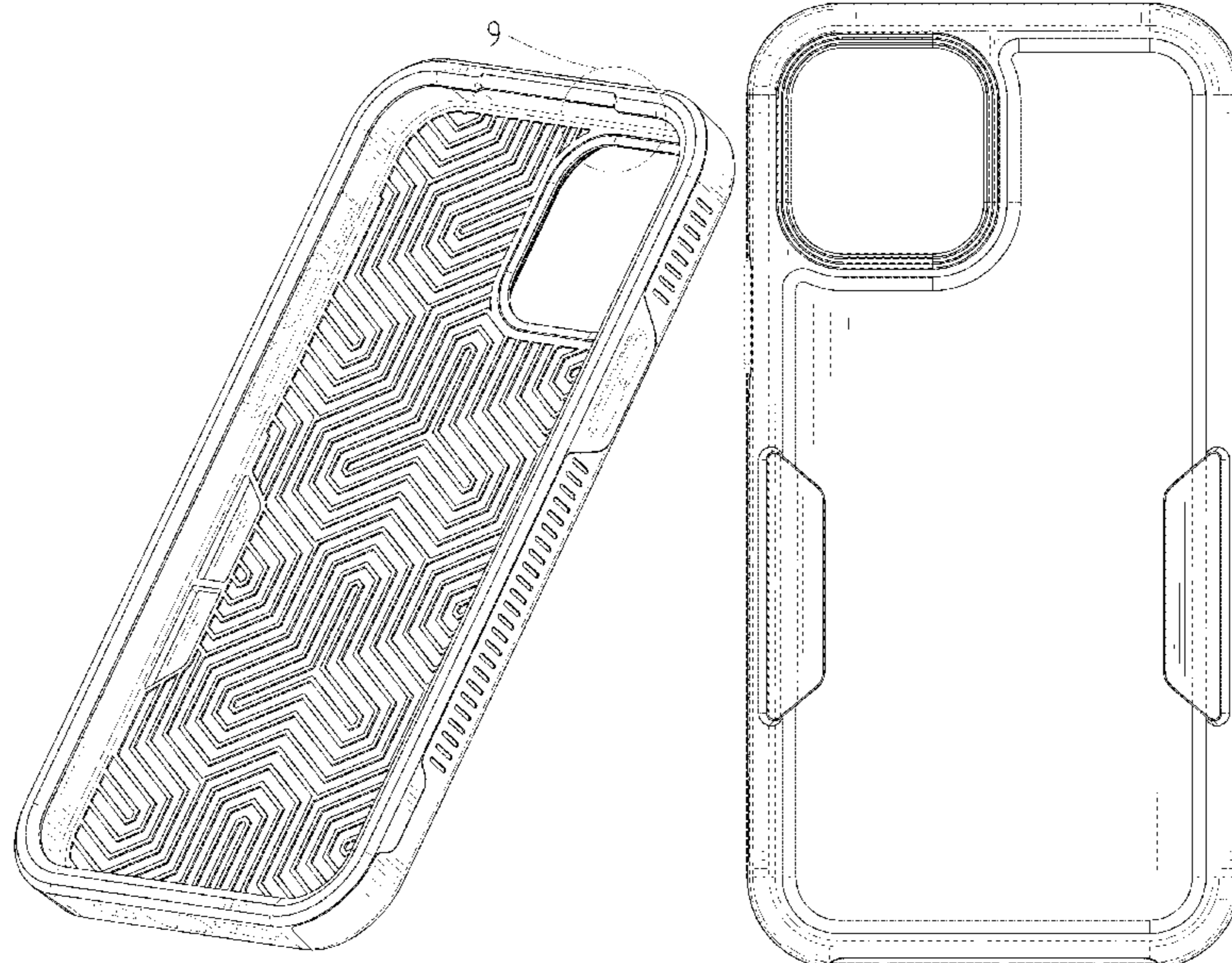
(57) **CLAIM**

The ornamental design for a mobile phone shell, as shown and described.

DESCRIPTION

FIG. 1 is a first perspective view of a mobile phone shell showing my new design;
 FIG. 2 is a second perspective view thereof;
 FIG. 3 is a front view thereof;
 FIG. 4 is a back view thereof;
 FIG. 5 is a left side view thereof;
 FIG. 6 is a right side view thereof;
 FIG. 7 is a top view thereof;
 FIG. 8 is a bottom view thereof;
 FIG. 9 is an enlarged view of the selected portion in FIG. 1;
 FIG. 10 is an enlarged view of the selected portion in FIG. 2; and,
 FIG. 11 is an enlarged view of the selected portion in FIG. 2.
 The broken lines shown in the drawings depict portions of the mobile phone shell in which the design is embodied that form no part of the claimed design.

1 Claim, 11 Drawing Sheets



(56)

References Cited

U.S. PATENT DOCUMENTS

2021/0059370 A1* 3/2021 Del Toro H04M 1/04
2021/0159933 A1* 5/2021 Dufelmeier H04B 1/3888

* cited by examiner



FIG. 1

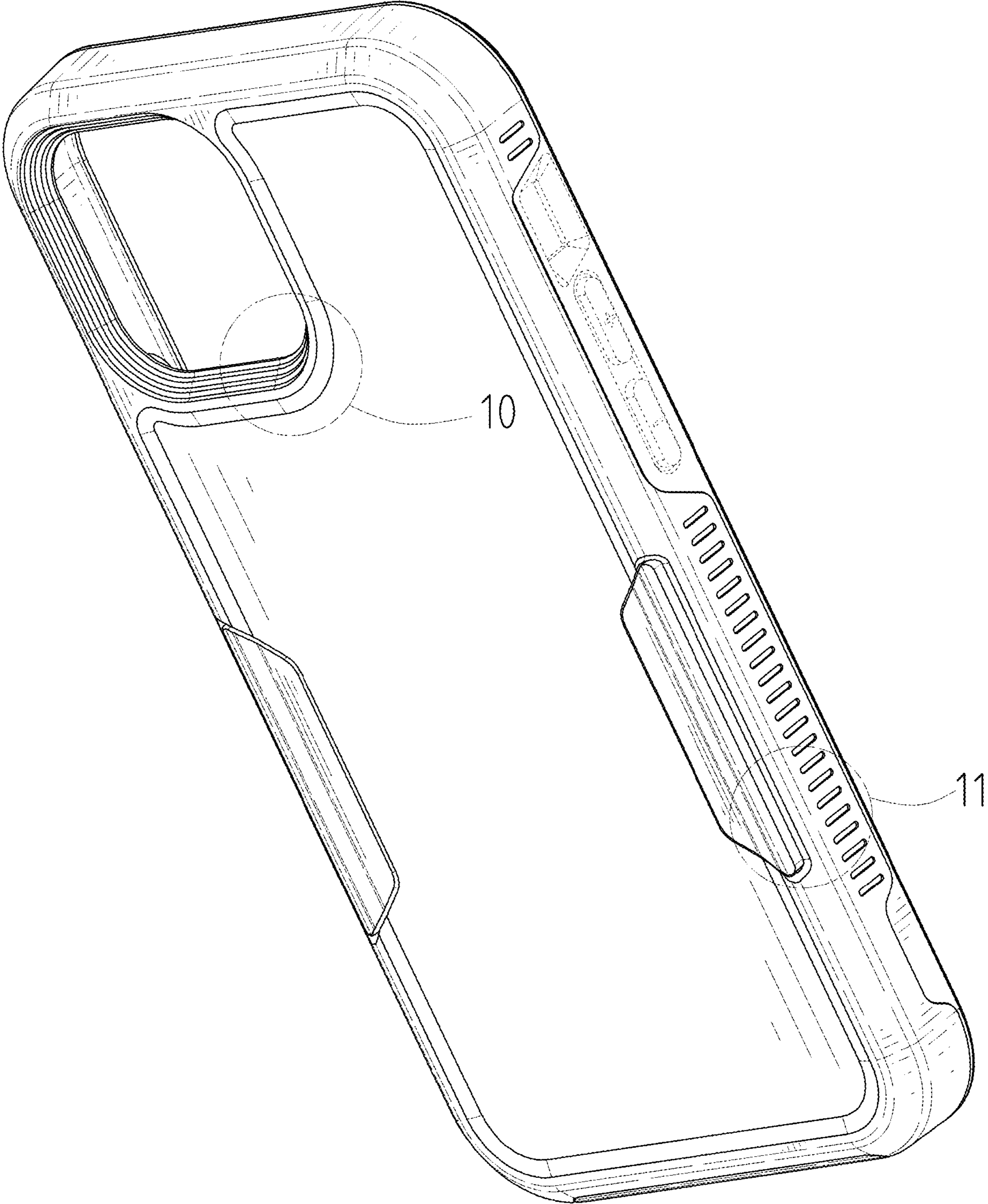


FIG. 2

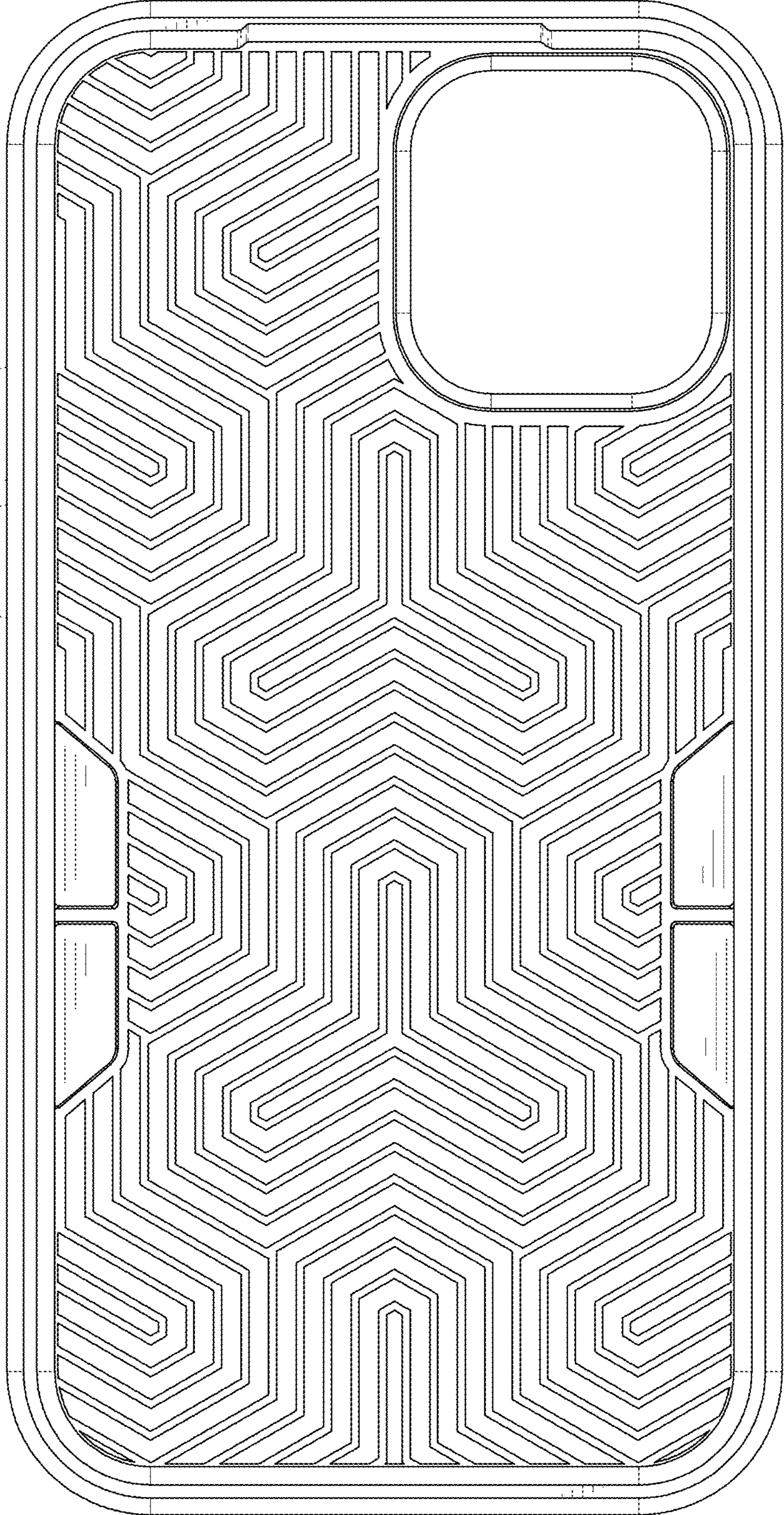


FIG. 3

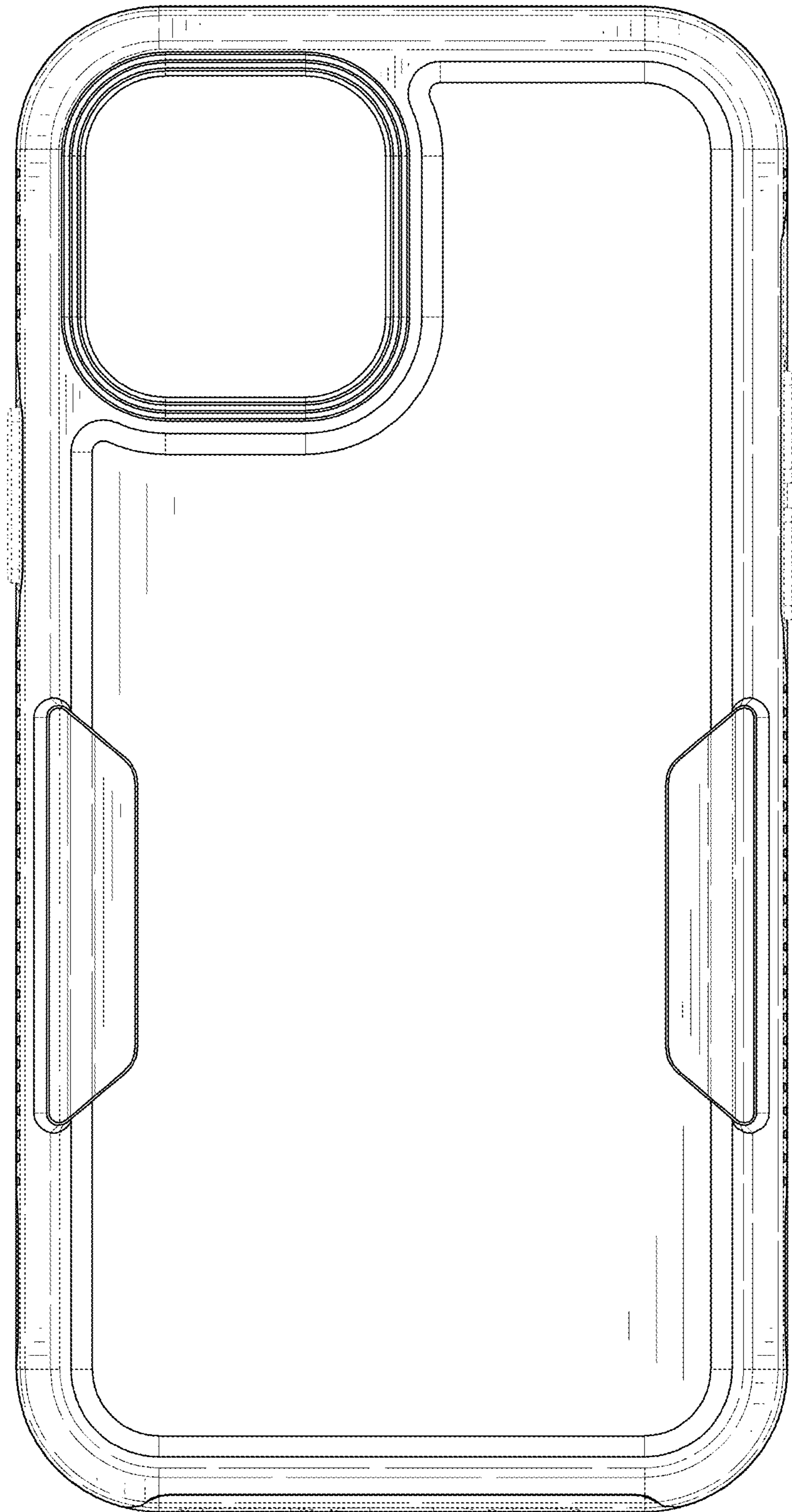


FIG. 4

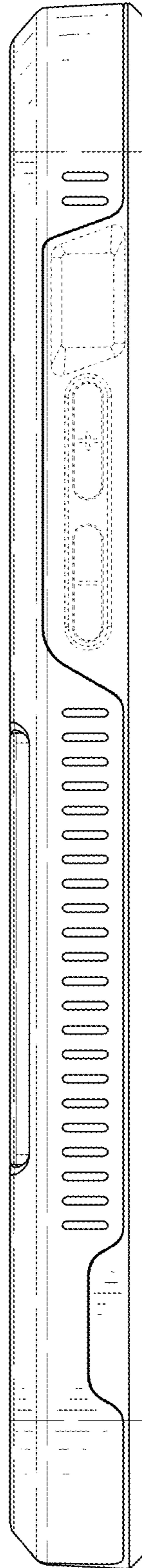


FIG. 5

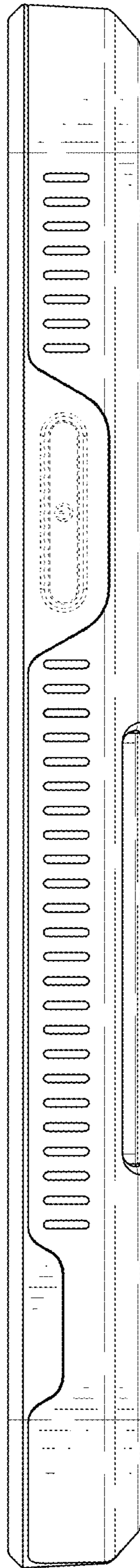


FIG. 6

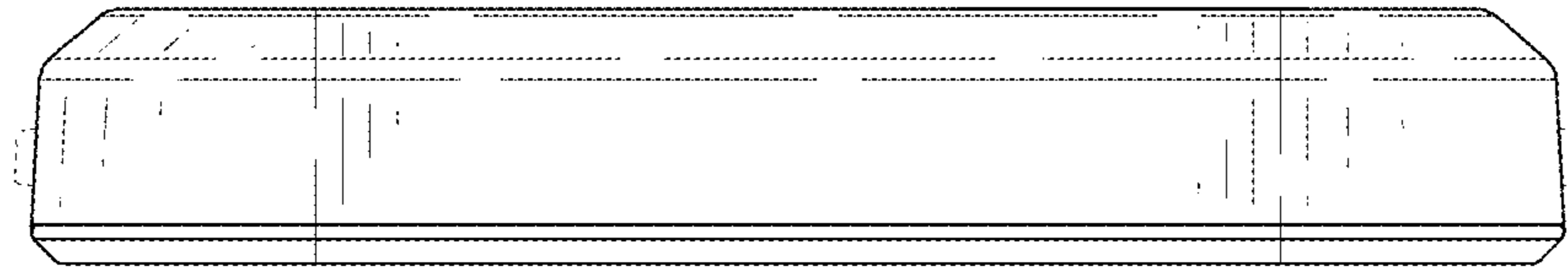


FIG. 7

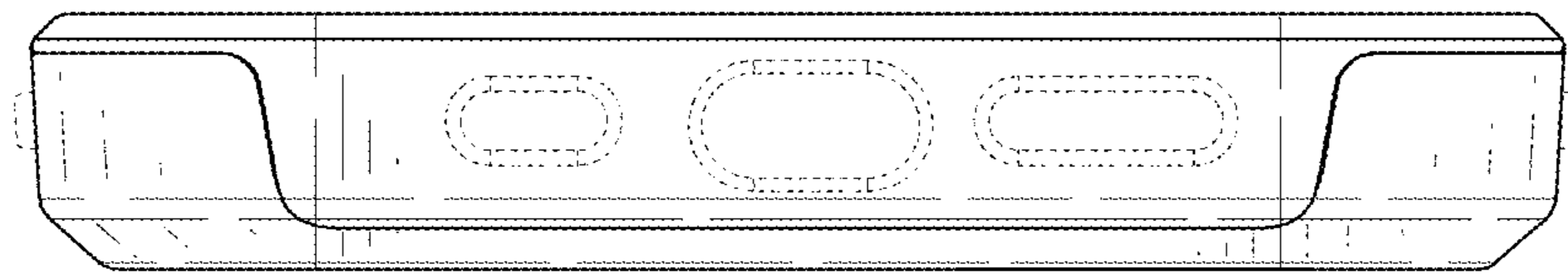


FIG. 8

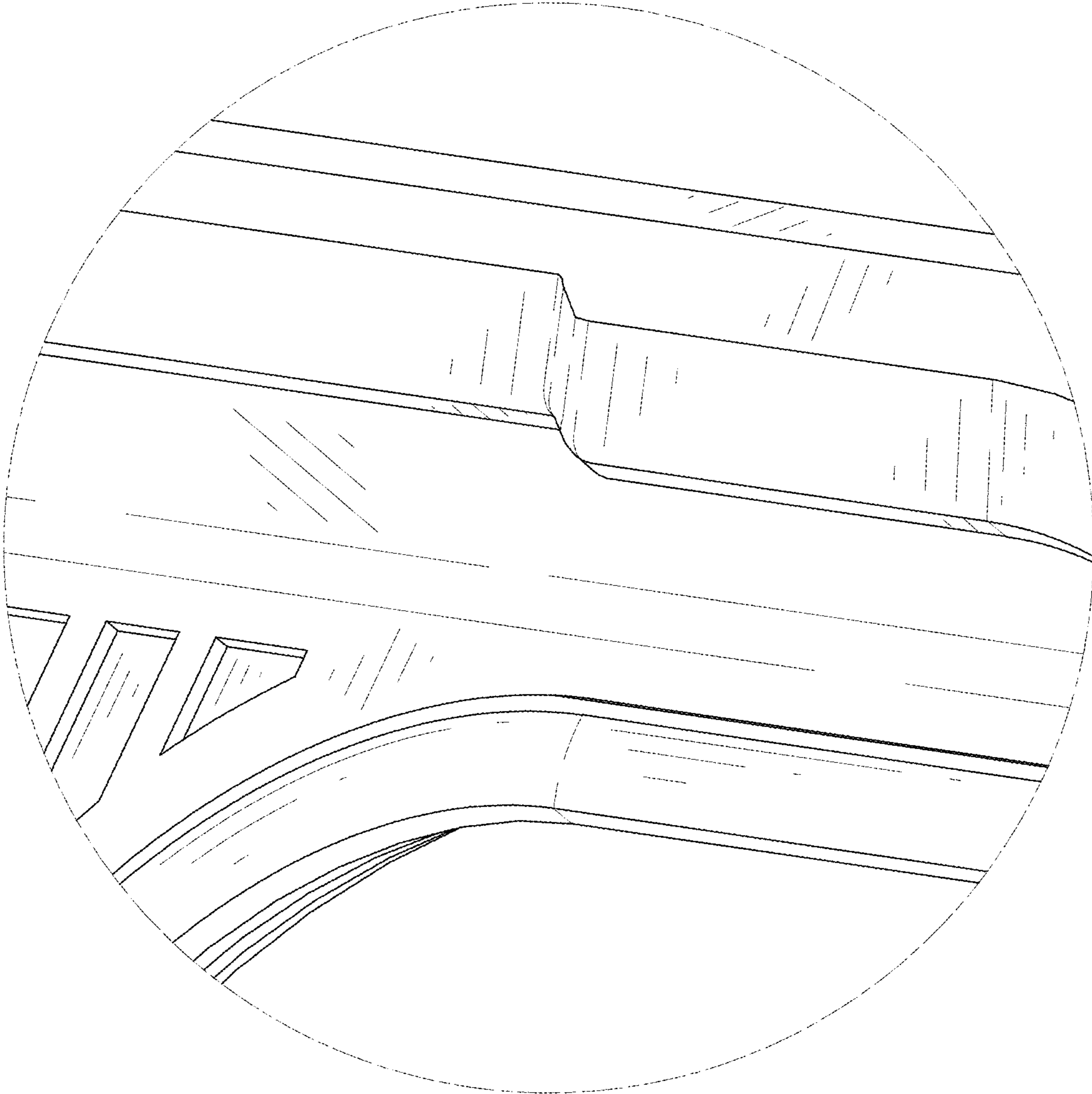


FIG. 9

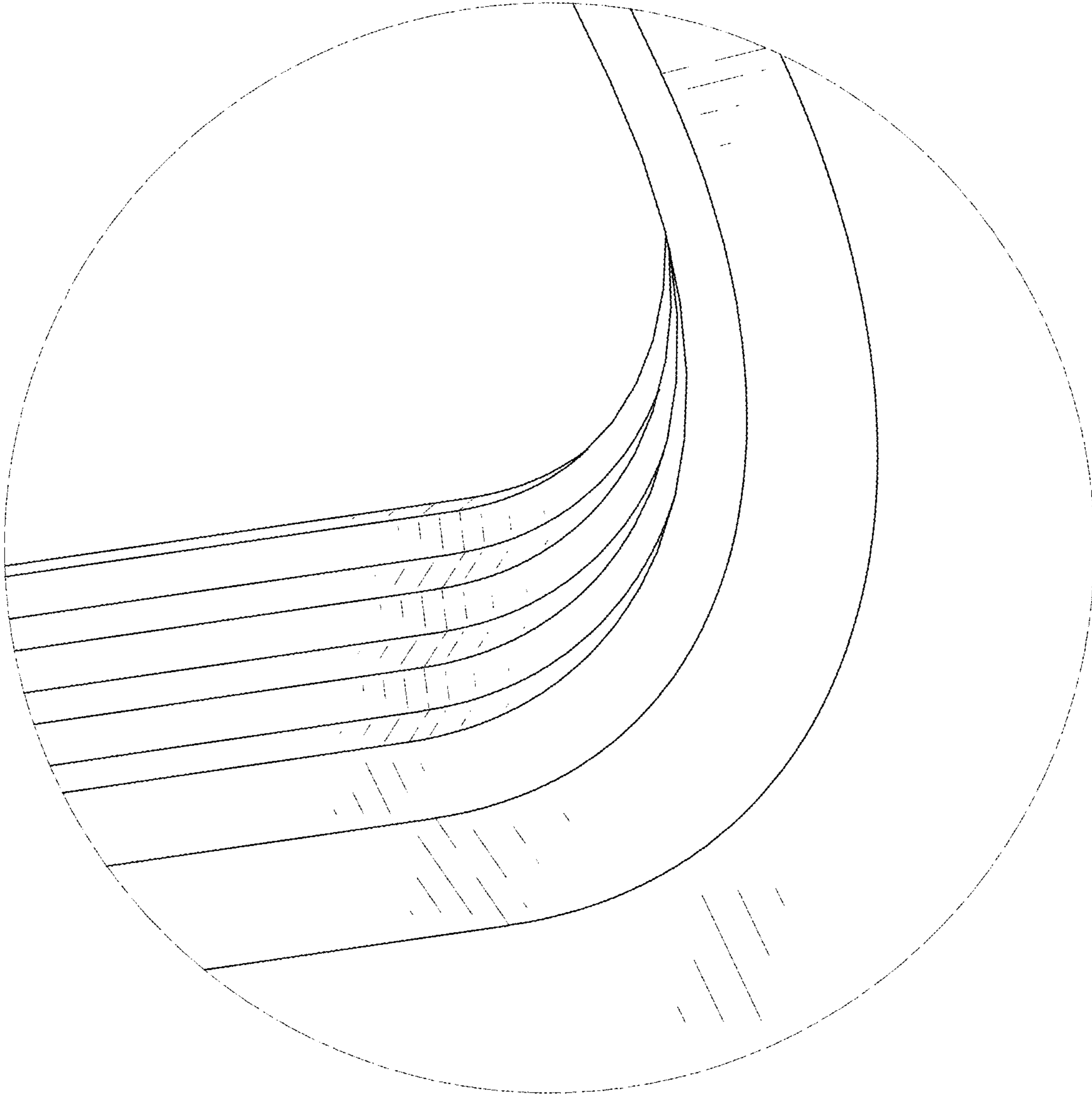


FIG. 10

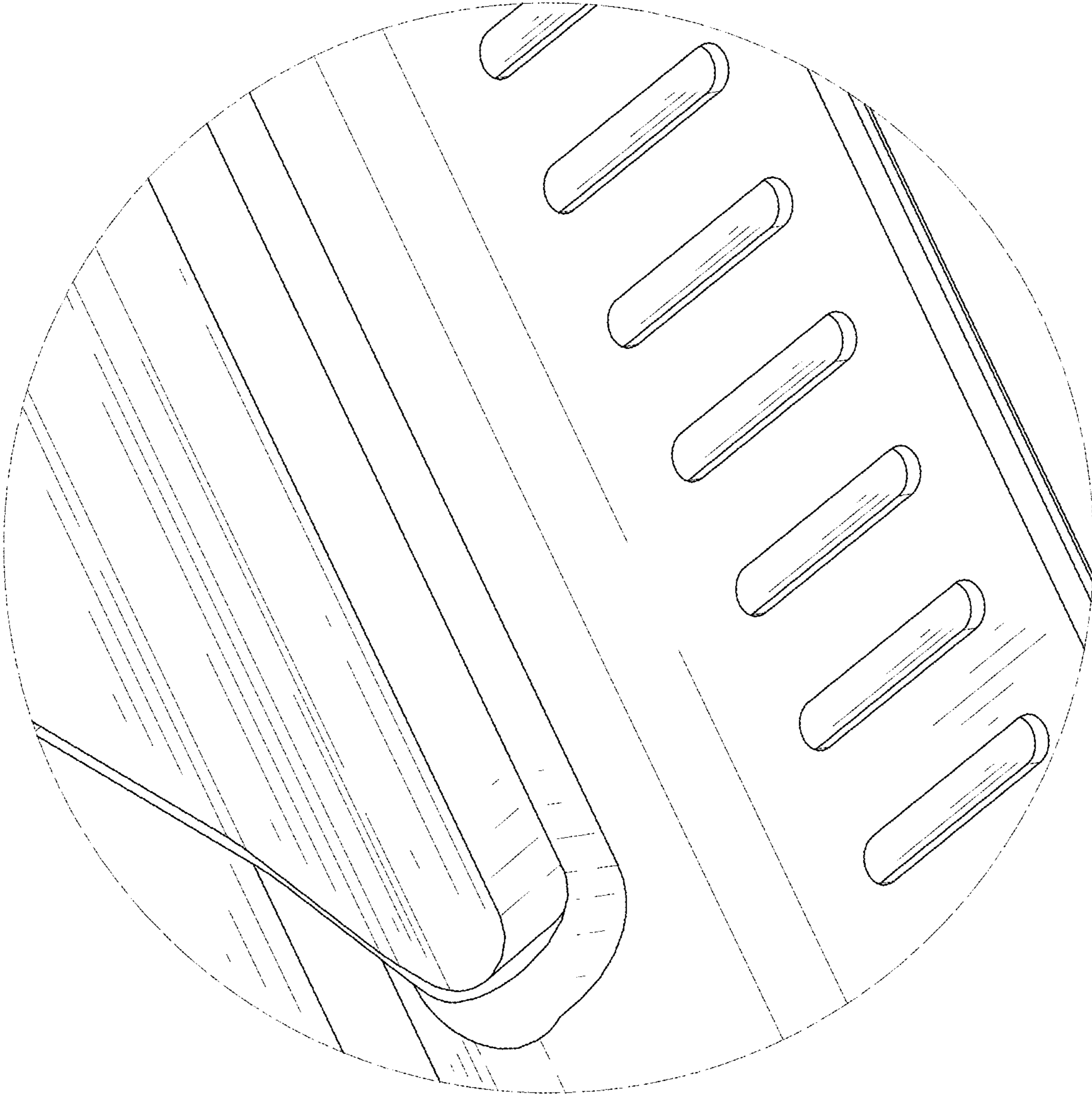


FIG. 11