



US00D969787S

(12) **United States Design Patent** (10) **Patent No.:** **US D969,787 S**
Lehmann et al. (45) **Date of Patent:** **** Nov. 15, 2022**

(54) **MOUNTING JIG**
(71) Applicant: **Velocity, A Managed Services Company**, Holland, OH (US)
(72) Inventors: **Brandon Lehmann**, Fremont, OH (US); **Maxwell Newcomer**, Maumee, OH (US); **Guy Cooper**, Holland, OH (US)
(73) Assignee: **VELOCITY, A MANAGED SERVICES COMPANY**, Holland, OH (US)
(**) Term: **15 Years**
(21) Appl. No.: **29/735,055**
(22) Filed: **May 18, 2020**
(51) **LOC (13) Cl.** **14-03**
(52) **U.S. Cl.**
USPC **D14/239**; D8/349
(58) **Field of Classification Search**
USPC D10/46, 46.1, 64, 74, 80, 60; D5/63; D14/448, 449; D8/374, 349
CPC B23P 19/10; F16B 39/101; F16B 4/004
See application file for complete search history.

(56) **References Cited**
U.S. PATENT DOCUMENTS
D21,568 S * 5/1892 Geraci D10/64
D28,383 S * 3/1898 Haines D8/349
D298,213 S * 10/1988 Iati 141/392
D330,503 S * 10/1992 Rana D19/34.1
D332,046 S * 12/1992 Isett D8/349
D367,418 S * 2/1996 Lathrop D8/349
D574,222 S * 8/2008 Golias, Jr. D8/349
D575,648 S * 8/2008 Haas D10/64
D656,079 S * 3/2012 Dales D8/349
D658,972 S * 5/2012 Virgin D8/349
D670,996 S * 11/2012 Rogers D8/349

D671,390 S * 11/2012 Ibarra D8/349
D694,084 S * 11/2013 Del Rossa D15/140
D729,611 S * 5/2015 Schmidt D8/349
D734,653 S * 7/2015 Martin D8/349
D740,104 S * 10/2015 Morissette D8/349
D766,701 S * 9/2016 Snell D8/349
D774,874 S * 12/2016 Wentzel D8/349
D824,240 S * 7/2018 Harrier D8/349
D828,143 S * 9/2018 Harrier D8/349
D844,413 S * 4/2019 Thaler D8/349
D849,507 S * 5/2019 Dedios-Shirley D8/349
D855,440 S * 8/2019 Schmonsees D8/349
D870,535 S * 12/2019 Gebhardt D8/349
D875,511 S * 2/2020 Liu D8/374
D887,294 S * 6/2020 Watts D10/70
D888,539 S * 6/2020 Griggs D8/349
D892,809 S * 8/2020 Feng D14/449
D913,078 S * 3/2021 Pavlov D8/349
D917,946 S * 5/2021 Hill D6/714
D924,665 S * 7/2021 DeDios-Shirley D8/349
D944,071 S * 2/2022 Soma D8/349
D944,625 S * 3/2022 Wu D8/349

(Continued)

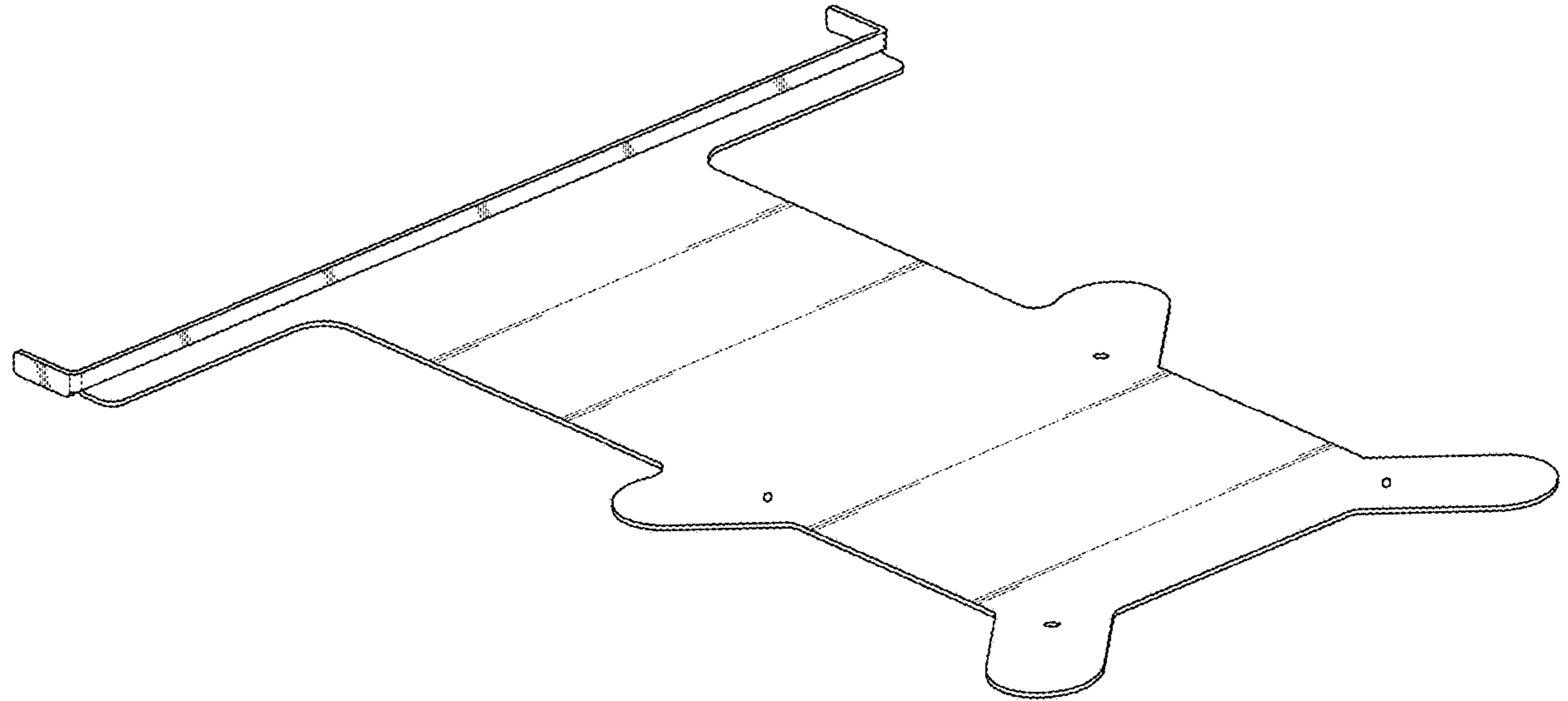
Primary Examiner — George D. Kirschbaum
Assistant Examiner — Antoinette Martine Suiter
(74) *Attorney, Agent, or Firm* — Michael E. Dockins; Shumaker, Loop & Kendrick, LLP

(57) **CLAIM**
The ornamental design for a mounting jig, as shown and described.

DESCRIPTION

FIG. 1 is a perspective view of a mounting jig; FIG. 2 is a top plan view thereof; FIG. 3 is a bottom plan view thereof; FIG. 4 is a left side elevational view thereof; FIG. 5 is a right side elevational view thereof; FIG. 6 is a rear elevational view thereof; and, FIG. 7 is a front elevational view thereof.

1 Claim, 4 Drawing Sheets



(56)

References Cited

U.S. PATENT DOCUMENTS

D947,650 S * 4/2022 Dedios-Shirley D8/349
D954,531 S * 6/2022 LaPorta D8/349

* cited by examiner

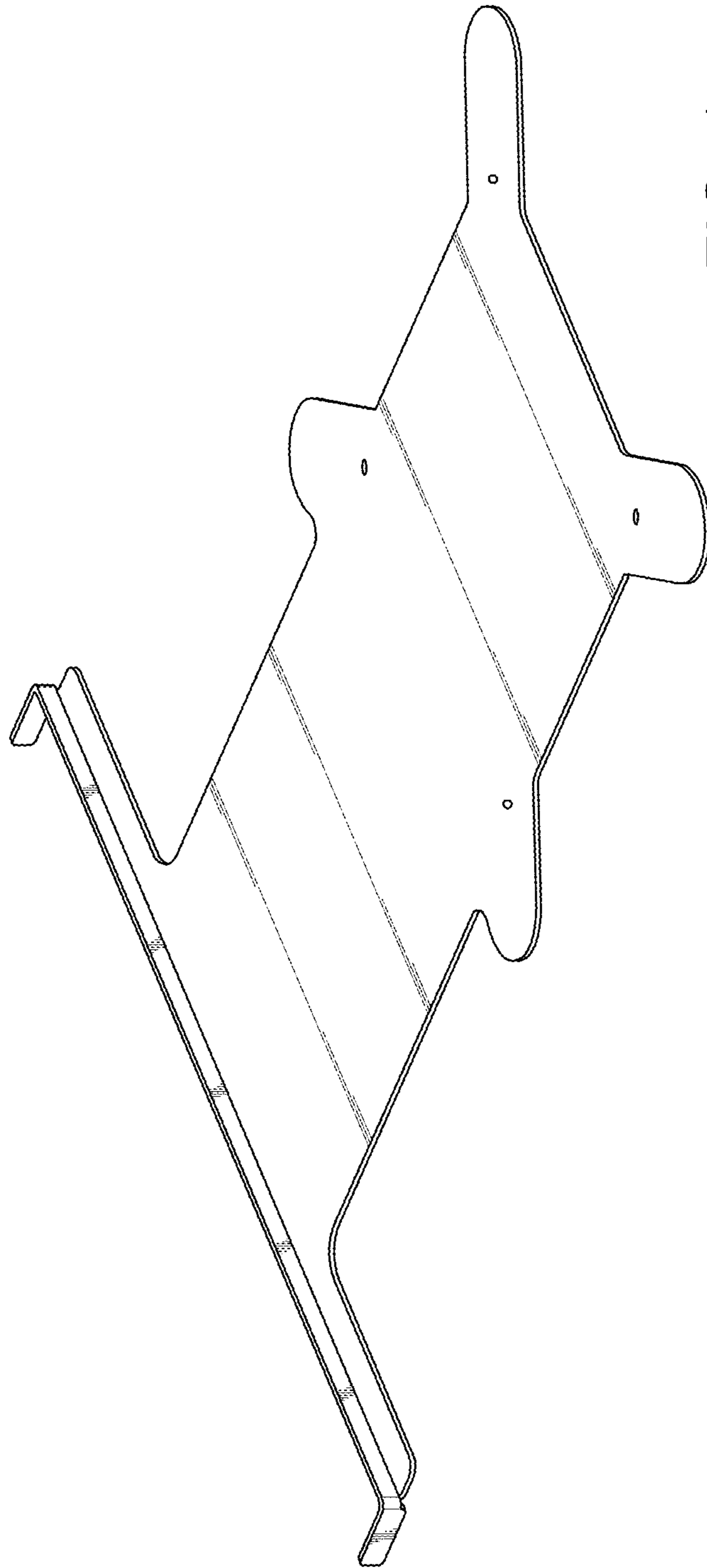


FIG. 1

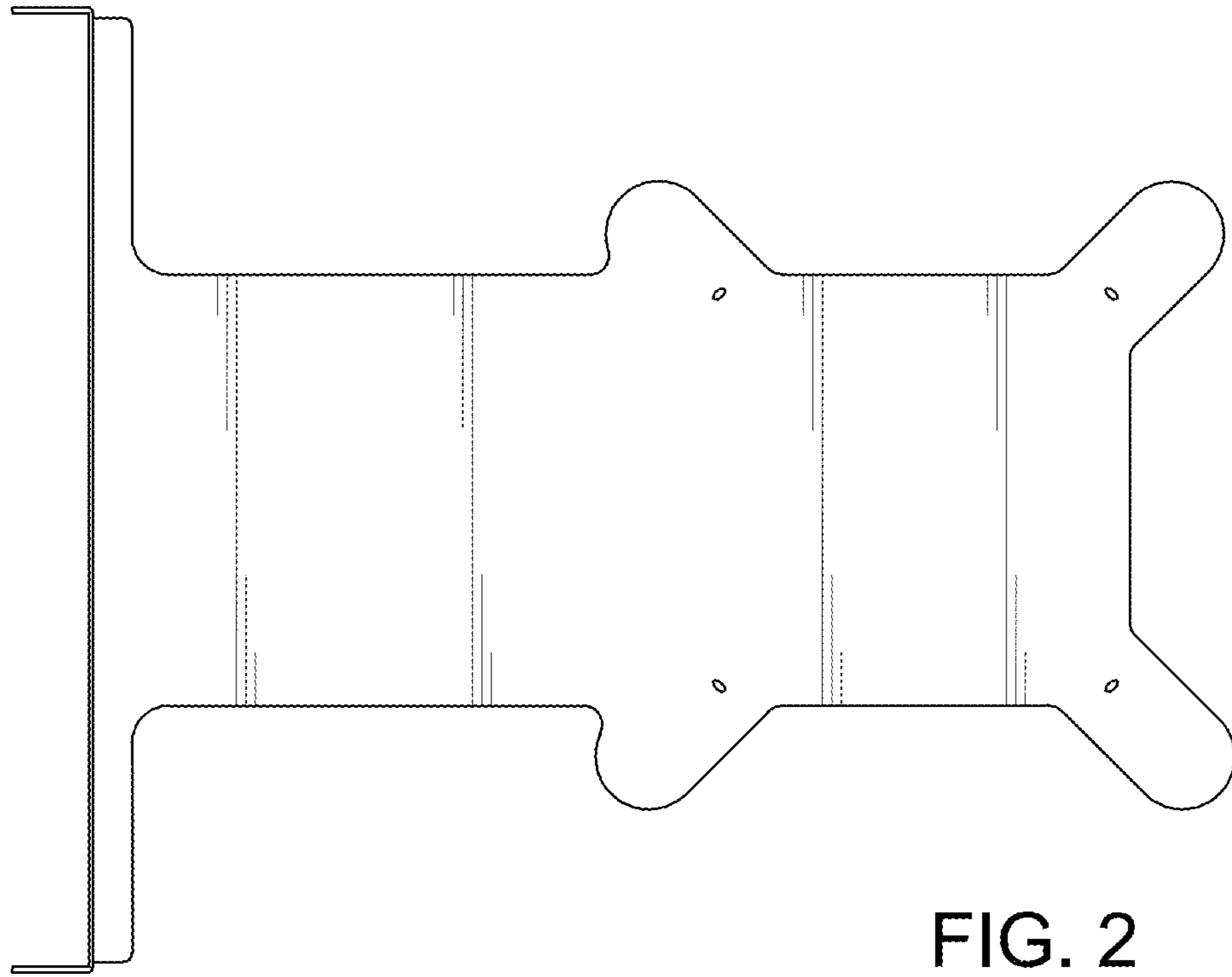


FIG. 2

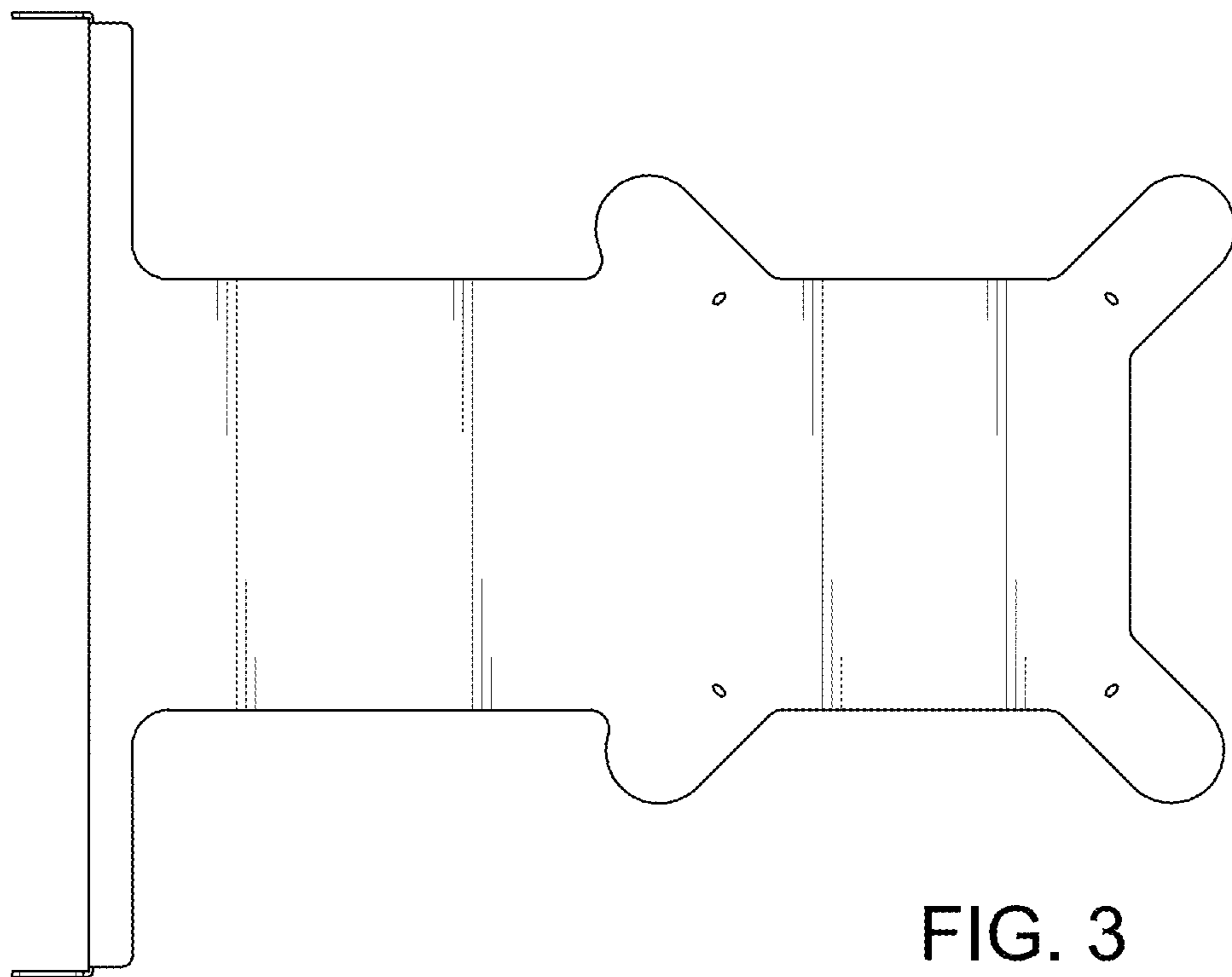


FIG. 3

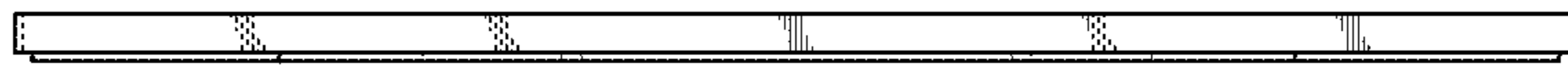


FIG. 4

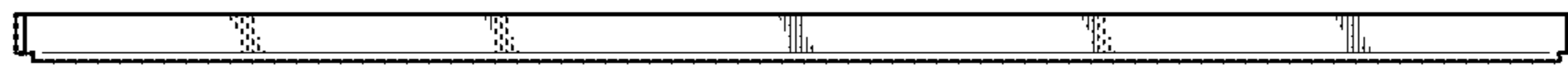


FIG. 5



FIG. 6



FIG. 7