

US00D969786S

(12) **United States Design Patent**
Renwick

(10) **Patent No.:** **US D969,786 S**
(45) **Date of Patent:** **** Nov. 15, 2022**

(54) **MICROPHONE**

- (71) Applicant: **Logitech Europe S.A.**, Lausanne (CH)
- (72) Inventor: **James Edward Renwick**, Portland, OR (US)
- (73) Assignee: **LOGITECH EUROPE S.A.**, Lausanne (CH)
- (**) Term: **15 Years**
- (21) Appl. No.: **29/780,279**
- (22) Filed: **Apr. 23, 2021**

Related U.S. Application Data

- (63) Continuation of application No. 29/707,728, filed on Sep. 30, 2019, now Pat. No. Des. 930,624.
- (51) **LOC (13) Cl.** **14-01**
- (52) **U.S. Cl.**
USPC **D14/227**
- (58) **Field of Classification Search**
USPC D14/221, 224, 225, 226, 227, 228, 229, D14/248, 265, 137, 150, 154, 155, 157, D14/158, 159, 172, 185
CPC H04R 19/04; H04R 19/00; H04R 1/406; H04R 1/08; H04R 1/04; H04R 1/326; H04R 29/004; H04R 2410/00; H04R 2410/01; H04R 2410/03; H04R 2410/05; H04R 2410/07; H04R 2420/07; H04R 17/02
See application file for complete search history.

(56) **References Cited**

U.S. PATENT DOCUMENTS

- D309,266 S * 7/1990 Kaneko D10/15
- D604,274 S 11/2009 Durrett et al.
- D766,303 S 9/2016 Anzures
- D834,004 S 11/2018 Chen
- D834,564 S * 11/2018 Chen D14/226
- D842,278 S 3/2019 Tong
- D842,846 S 3/2019 Mai

(Continued)

FOREIGN PATENT DOCUMENTS

- CN 303887689 * 10/2016
- CN 306984768 * 8/2021

(Continued)

OTHER PUBLICATIONS

Blue Introduces Yeti X, announced Sep. 17, 2019 [online], retrieved Mar. 25, 2022, retrieved from internet, <https://ir.logitech.com/press-releases/press-release-details/2019/Blue-Introduces-Yeti-X-Professional-USB-Microphone-With-Blue-VOCE-Software-for-Creators-and-Streamers/default.aspx>.*

(Continued)

Primary Examiner — Messina L Smith

(74) *Attorney, Agent, or Firm* — Patterson + Sheridan, LLP

(57) **CLAIM**

An ornamental design for a microphone, as shown and described.

DESCRIPTION

FIG. 1 is a top front left side perspective view of a microphone according to our design.

FIG. 2 is a top rear right side perspective view of the microphone.

FIG. 3 is a bottom front left side perspective view of the microphone.

FIG. 4 is a bottom rear right side perspective view of the microphone.

FIG. 5 is a front view of the microphone.

FIG. 6 is a right side view of the microphone.

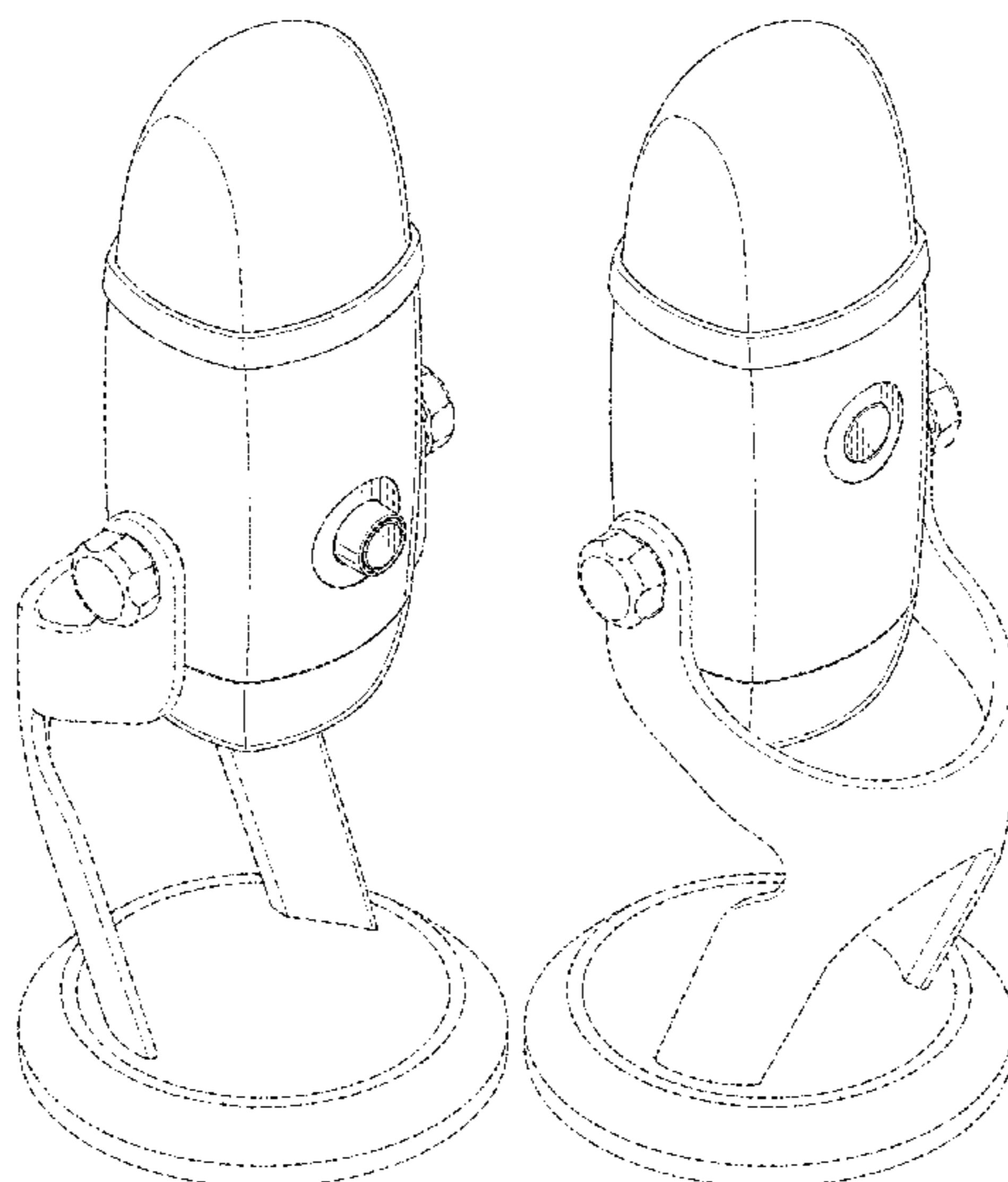
FIG. 7 is a rear view of the microphone.

FIG. 8 is a left side view of the microphone.

FIG. 9 is a top view of the microphone; and, FIG. 10 is a bottom view of the microphone.

The dashed lines in the drawings depict portions of the microphone that form no part of the claimed design.

1 Claim, 9 Drawing Sheets



(56)

References Cited

U.S. PATENT DOCUMENTS

D848,404	S	*	5/2019	Chen	D14/227
D851,073	S		6/2019	Tong		
10,405,104	B1	*	9/2019	Abel	H04R 3/005
D890,141	S	*	7/2020	Chen	D14/228
D890,732	S		7/2020	Chen		
D893,041	S		8/2020	Qiu		
D899,407	S	*	10/2020	Mai	D14/227
D905,023	S	*	12/2020	Renwick	D14/227
D910,605	S	*	2/2021	Renwick	D14/227
D918,186	S	*	5/2021	Mai	D14/227
D918,876	S	*	5/2021	Mai	D14/227
D919,604	S	*	5/2021	Mai	D14/227
D930,624	S	*	9/2021	Renwick	D14/227
D933,640	S	*	10/2021	Zhou	D14/225
D942,973	S	*	2/2022	Lu	D14/227
2006/0078135	A1	*	4/2006	Royer	H04R 9/048 381/399
2006/0078152	A1		4/2006	Royer et al.		
2009/0169043	A1		7/2009	Josephson et al.		

FOREIGN PATENT DOCUMENTS

CN	306862188	*	10/2021
CN	306984747	*	12/2021
CN	307034617	*	12/2021
CN	307107628	*	2/2022
CN	307118779	*	2/2022
CN	307125336	*	2/2022
CN	307129879	*	2/2022

OTHER PUBLICATIONS

Blue Yeti X Professional Condenser USB Microphone, announced Sep. 13, 2019 [online], retrieved Mar. 25, 2022, retrieved from internet, <https://www.amazon.com/Professional-Condenser-Microphone-Streaming-Podcasting/dp/B07QKQJL17>.*

Blue Yeti X Review: Legendary sound with new features for creators, announced Sep. 17, 2019 [online], retrieved Mar. 25, 2022, retrieved from internet, <https://9to5toys.com/2019/09/17/blue-yeti-x-review-legendary-sound-with-new-features-for-creators-video/>.*

Blue Introduces The Yeti X With Blue Voice Technology, announced Sep. 18, 2019 [online], retrieved Mar. 25, 2022, retrieved from internet, <https://happygamer.com/blue-introduces-the-yeti-x-with-blue-voce-technology-a-professional-usb-mic-for-streaming-gaming-and-podcasting-26806/>.*

Blue Yeti X Review: Legendary sound with new features for creators, announced Sep. 17, 2019 1:14 [online], retrieved Mar. 25, 2022, retrieved from internet, <https://www.youtube.com/watch?v=iWEWxtQ0xEU>.*

Blue Microphones Yeti Nano, announced Jun. 6, 2019 [online], retrieved Mar. 25, 2022, retrieved from internet, <https://www.cdw.com/product/blue-microphones-yeti-nano-microphone/5409218>.*

Hands-On Review: the Yeti Nano from Blue Microphones, announced Mar. 8, 2019 [online], retrieved Mar. 25, 2022, retrieved from internet, <https://www.premiumbeat.com/blog/review-blue-microphones-yeti-nano/>.*

Best Blue Yeti microphone deals Mar. 2022, announced Mar. 1, 2022 [online], retrieved Mar. 25, 2022, retrieved from internet, <https://www.musicradar.com/news/blue-microphones-yeti-deals>.*

Blue Yeti Nano Premium USB Mic for Recording and Streaming, announced Aug. 10, 2018, <http://www.amazon.com/Blue-Yeti-Premium-Recording-Streaming/dp/B07DTTGZ7M?SubscriptionId=AKIAJV4KMHBMUG36SMIQ&tag=p00935-20&linkCode=xm2&camp=2025&creative=165953&creati>.

AEA R84 Recording Bundle, announced Mar. 19, 2014, <http://www.frontendaudio.com/aea-r84-recording-bundle/>.

Yeti Nano Shrinks One of Blue's Most Popular Mics, Aug. 28, 2018, <https://slashgear.com/yeti-nano-shrinks-one-of-blues-most-popular-mics-28543270/>.

Logitech Blue Yeti Nano Microphone Black, Mar. 19, 2014, <https://www.solidsignal.com/pview.asp?=YETINANOSHDBGY>.

* cited by examiner

Fig. 1

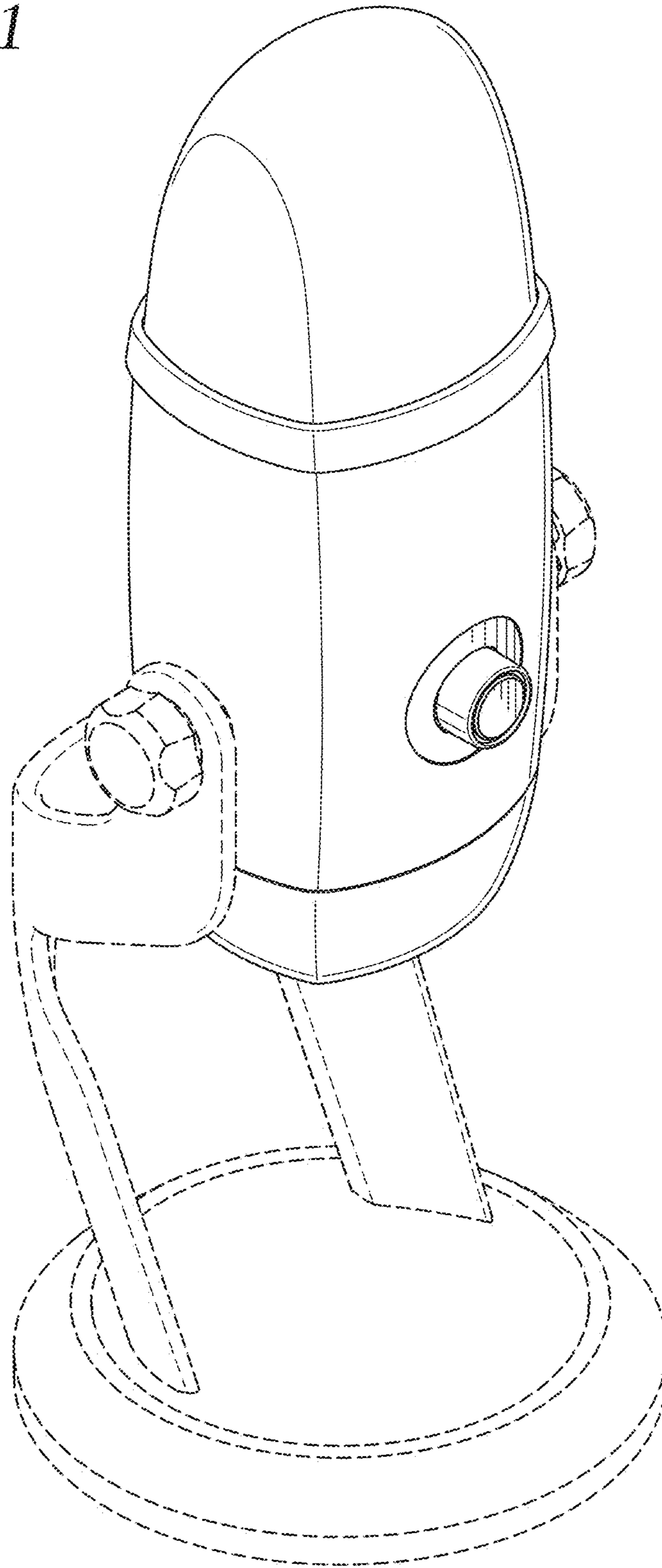


Fig. 2

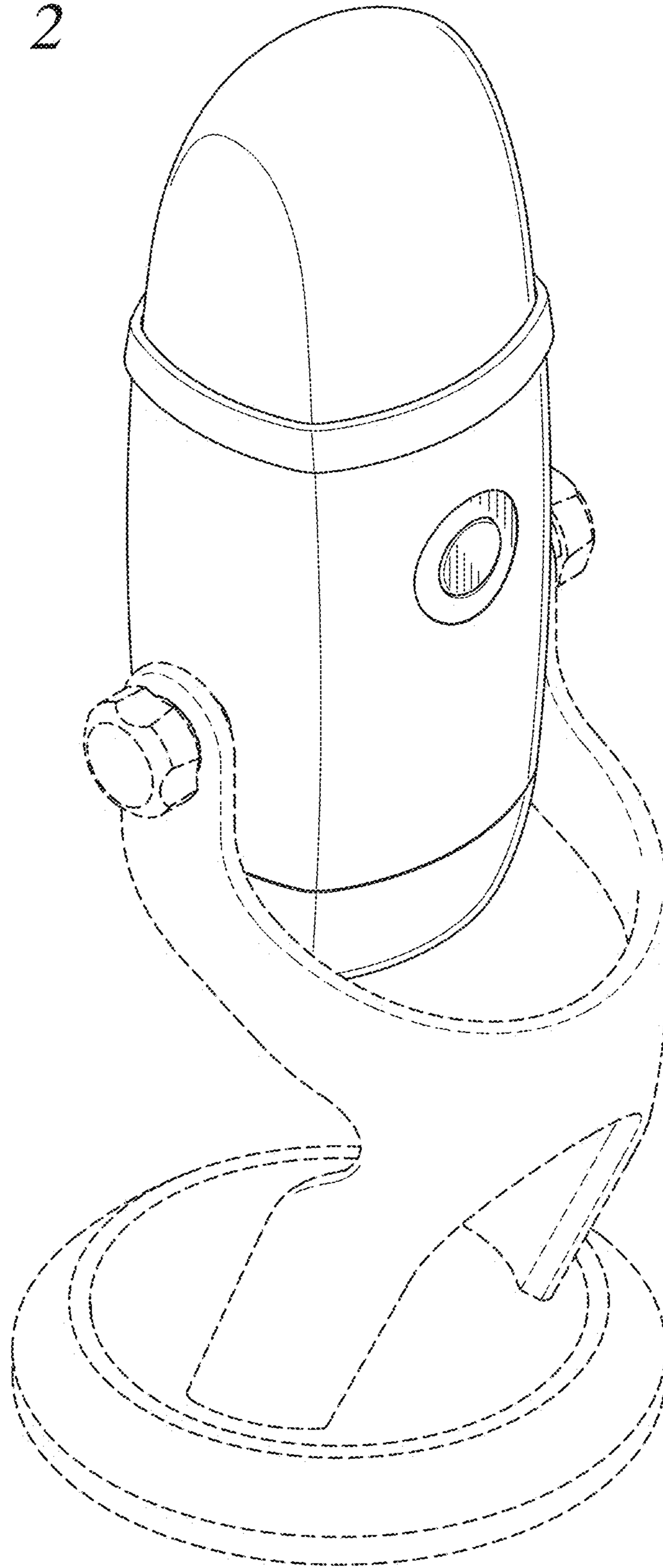


Fig. 3

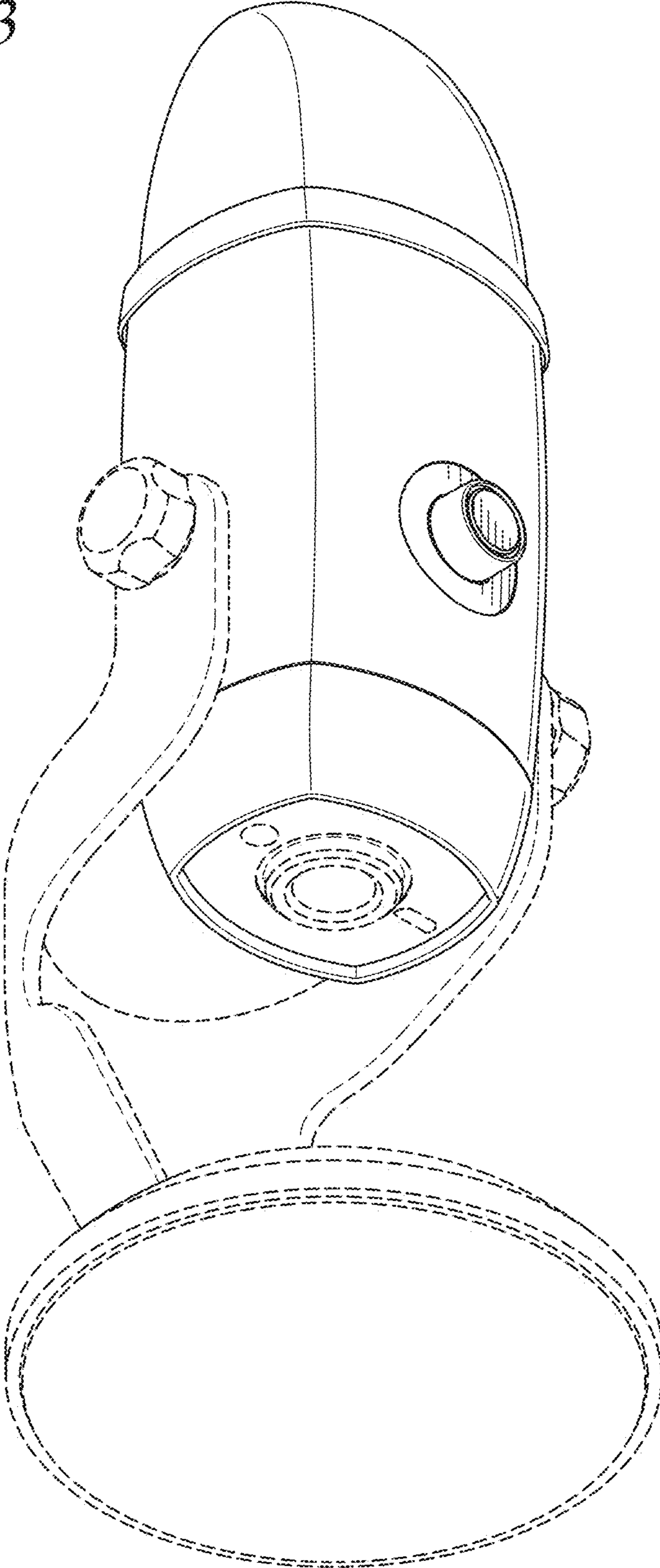


Fig. 4

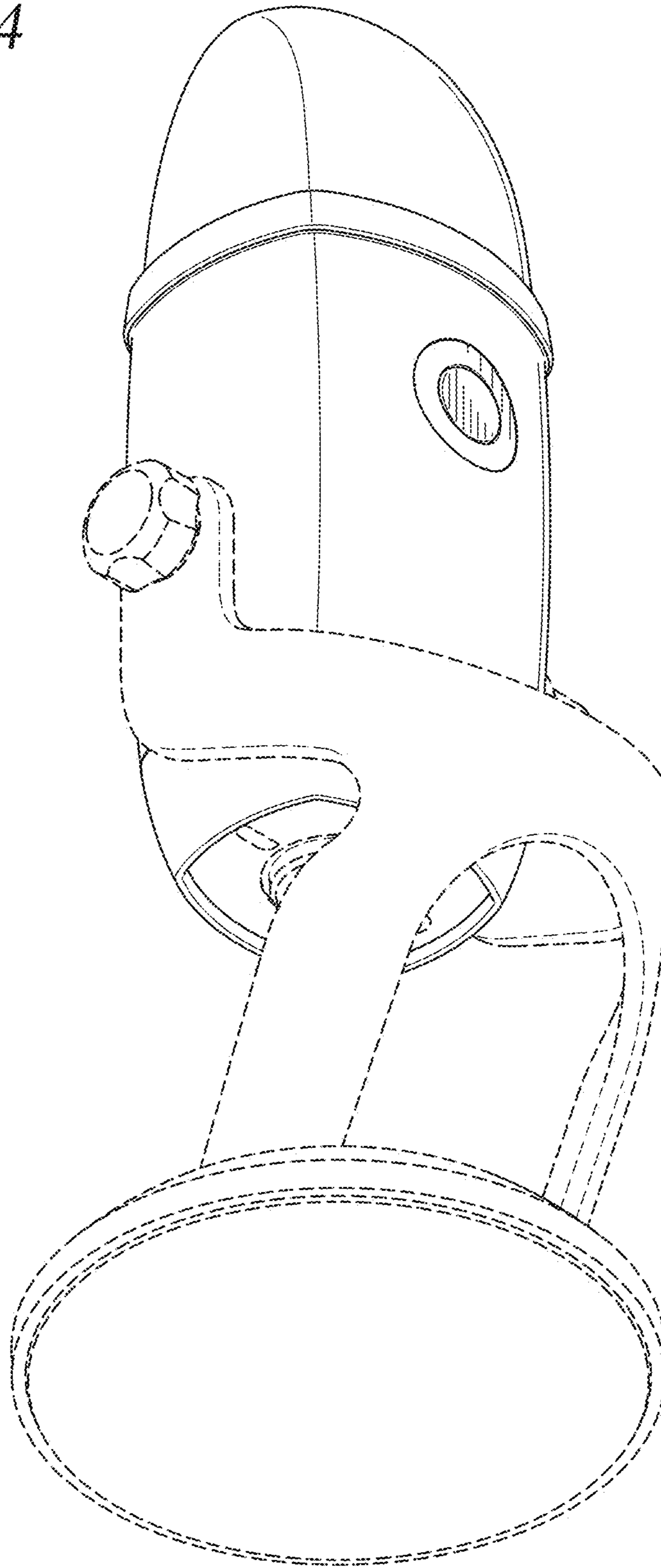


Fig. 5

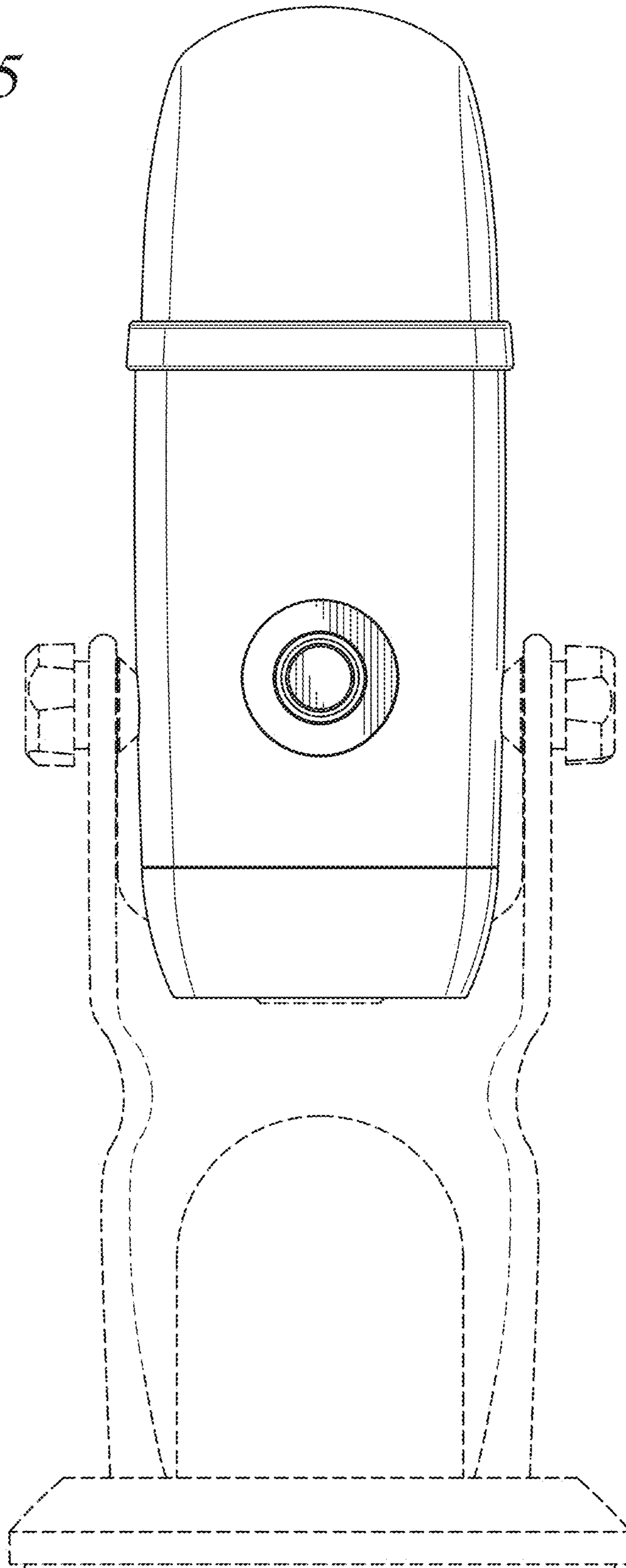


Fig. 6

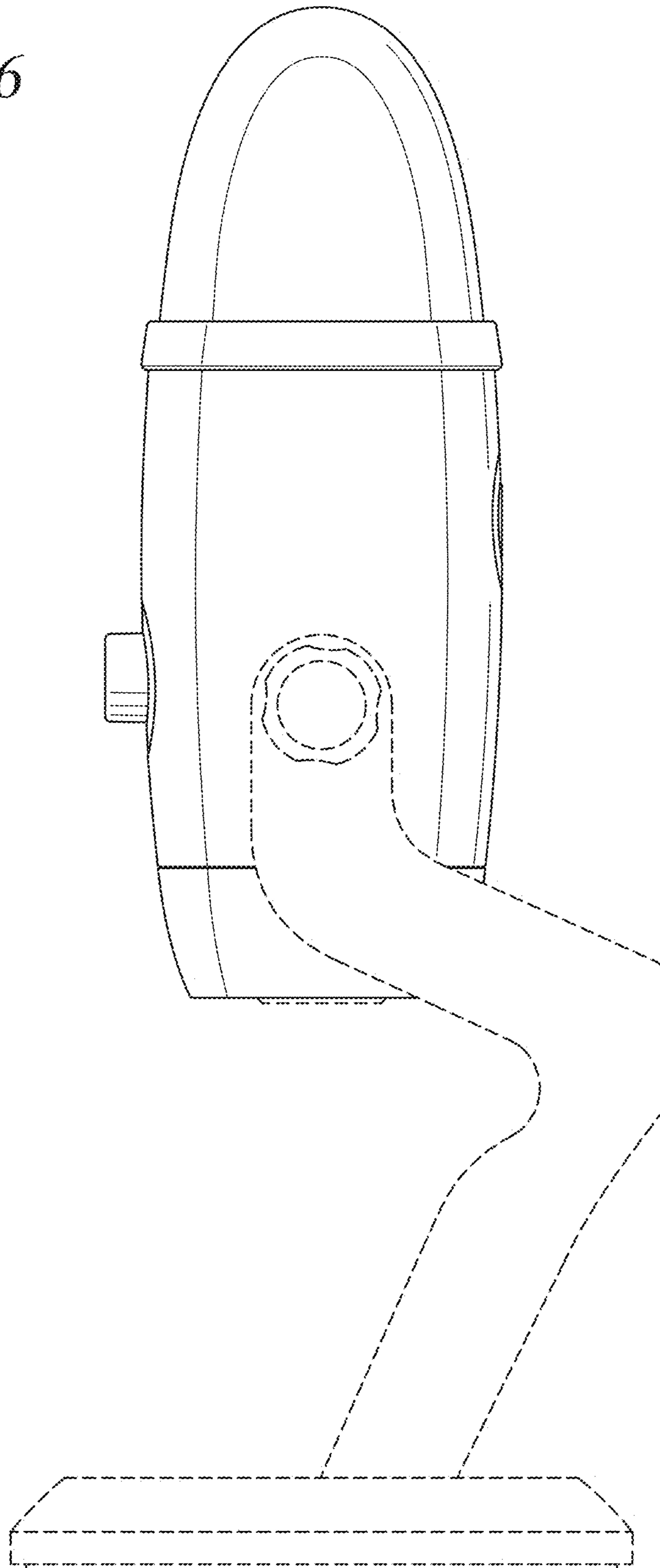


Fig. 7

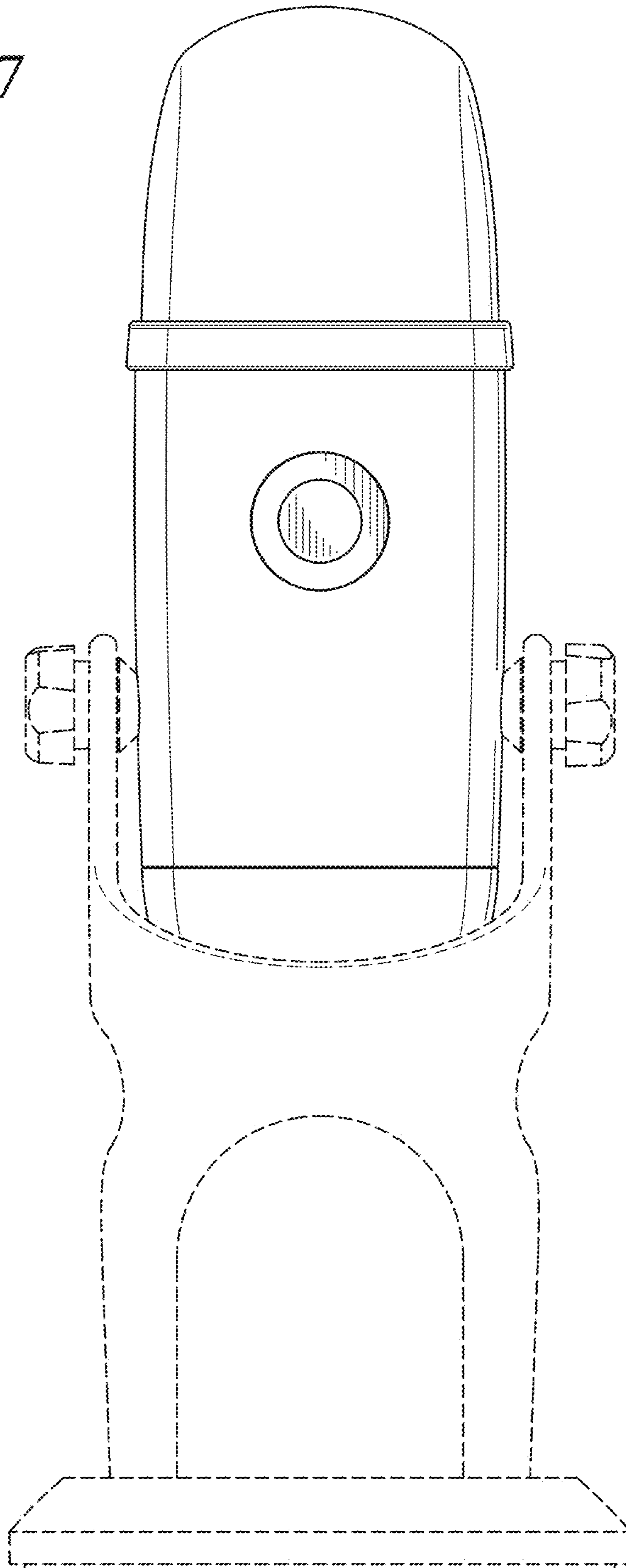


Fig. 8

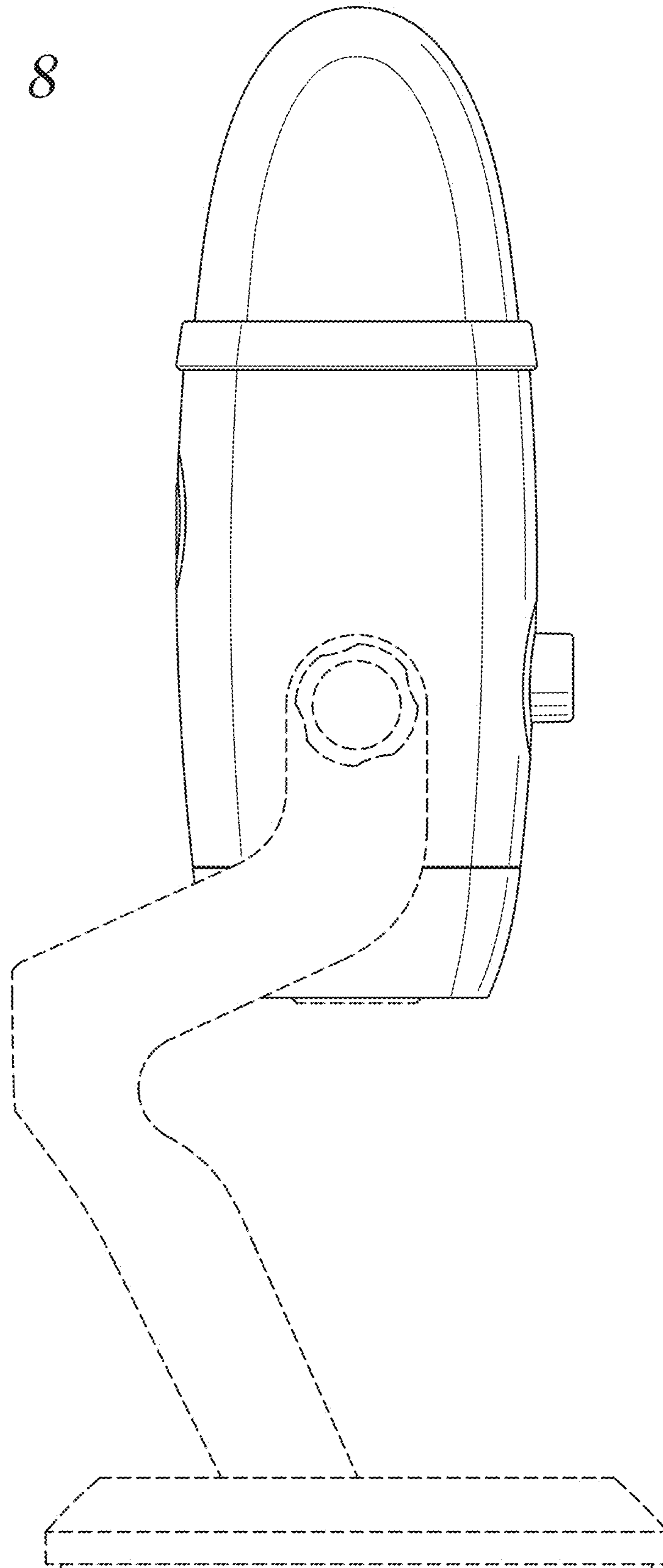


Fig. 9

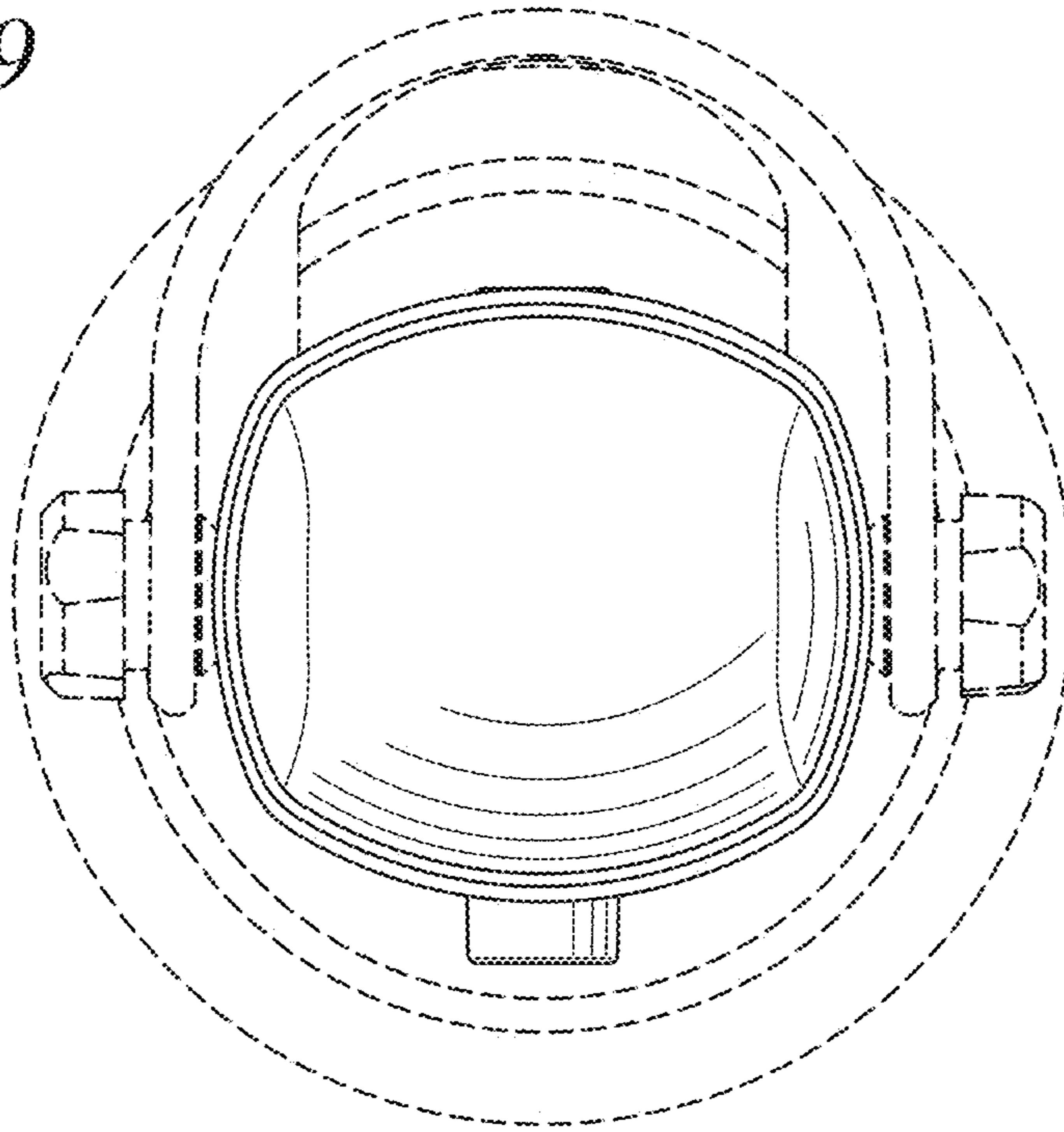


Fig. 10

