



US00D969784S

(12) **United States Design Patent**
Yang

(10) **Patent No.:** **US D969,784 S**

(45) **Date of Patent:** **** Nov. 15, 2022**

(54) **STAND**

(71) Applicant: **Hoyeon Yang**, Seoul (KR)

(72) Inventor: **Hoyeon Yang**, Seoul (KR)

(**) Term: **15 Years**

(21) Appl. No.: **29/762,683**

(22) Filed: **Dec. 17, 2020**

(30) **Foreign Application Priority Data**

Nov. 5, 2020 (KR) 30-2020-0053319

(51) **LOC (13) Cl.** **14-03**

(52) **U.S. Cl.**
USPC **D14/224**

(58) **Field of Classification Search**
USPC D14/229, 238, 224, 251, 253, 432, 433,
D14/434, 447; D6/329, 641, 647, 656,
D6/698; D7/9.1, 9.2; D8/72, 343, 373,
D8/380, 394

CPC G06F 1/16; A47B 91/00; A47B 97/04;
F16M 11/00; A47G 1/16

See application file for complete search history.

(56) **References Cited**

U.S. PATENT DOCUMENTS

D226,421 S *	3/1973	Rich	D8/394
D227,220 S *	6/1973	Rich	D8/380
D322,554 S *	12/1991	Amussen	D8/380
D423,821 S *	5/2000	Crump	D6/681.2
D579,926 S *	11/2008	Whitworth	D14/224
D724,072 S *	3/2015	Jiang	D14/447
D724,570 S *	3/2015	Kusano	D14/224
D748,079 S *	1/2016	Dinsdale	D14/230

D847,800 S *	5/2019	Wengreen	D14/251
D855,038 S *	7/2019	Hu	D14/224
D915,359 S *	4/2021	Zhang	D14/224
D916,686 S *	4/2021	Xie	D14/224
D922,361 S *	6/2021	Jin	D14/224

OTHER PUBLICATIONS

Perlesmith Universal Speaker Stands, first available Sep. 16, 2020 [online], [retrieved Jun. 29, 2022]. Available from the Internet, URL:<https://a.co/d/7qlO2rD>. (Year: 2020).*

Wali Dual Side Clamping Bookshelf Speaker, first available Jun. 9, 2016 [online], [retrieved Jun. 29, 2022]. Available from the Internet, URL:<https://a.co/d/6DuX6f2>. (Year: 2016).*

* cited by examiner

Primary Examiner — Shawn T Gingrich

Assistant Examiner — Russell Carnell Smith, Jr.

(74) *Attorney, Agent, or Firm* — John K. Park; Park Law Firm

(57) **CLAIM**

The ornamental design for a stand, as shown and described.

DESCRIPTION

FIG. 1 is a perspective view of the stand showing my new design;

FIG. 2 is a front view thereof;

FIG. 3 is a rear view thereof;

FIG. 4 is a left side view thereof;

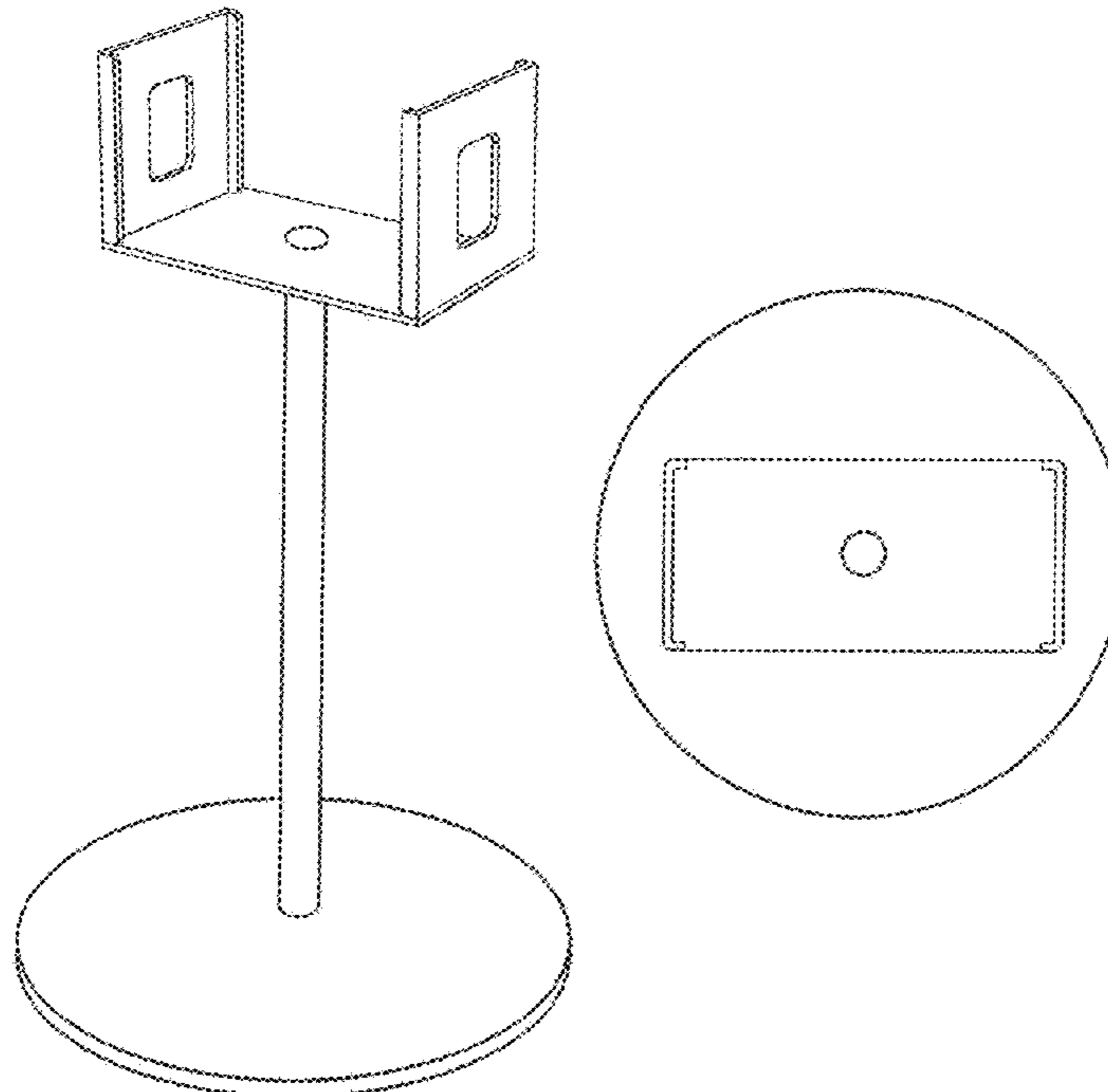
FIG. 5 is a right side view thereof;

FIG. 6 is a top plan view thereof; and,

FIG. 7 is a bottom plan view.

The broken lines in the drawings depict portions of the stand that form no part of the claimed design.

1 Claim, 7 Drawing Sheets



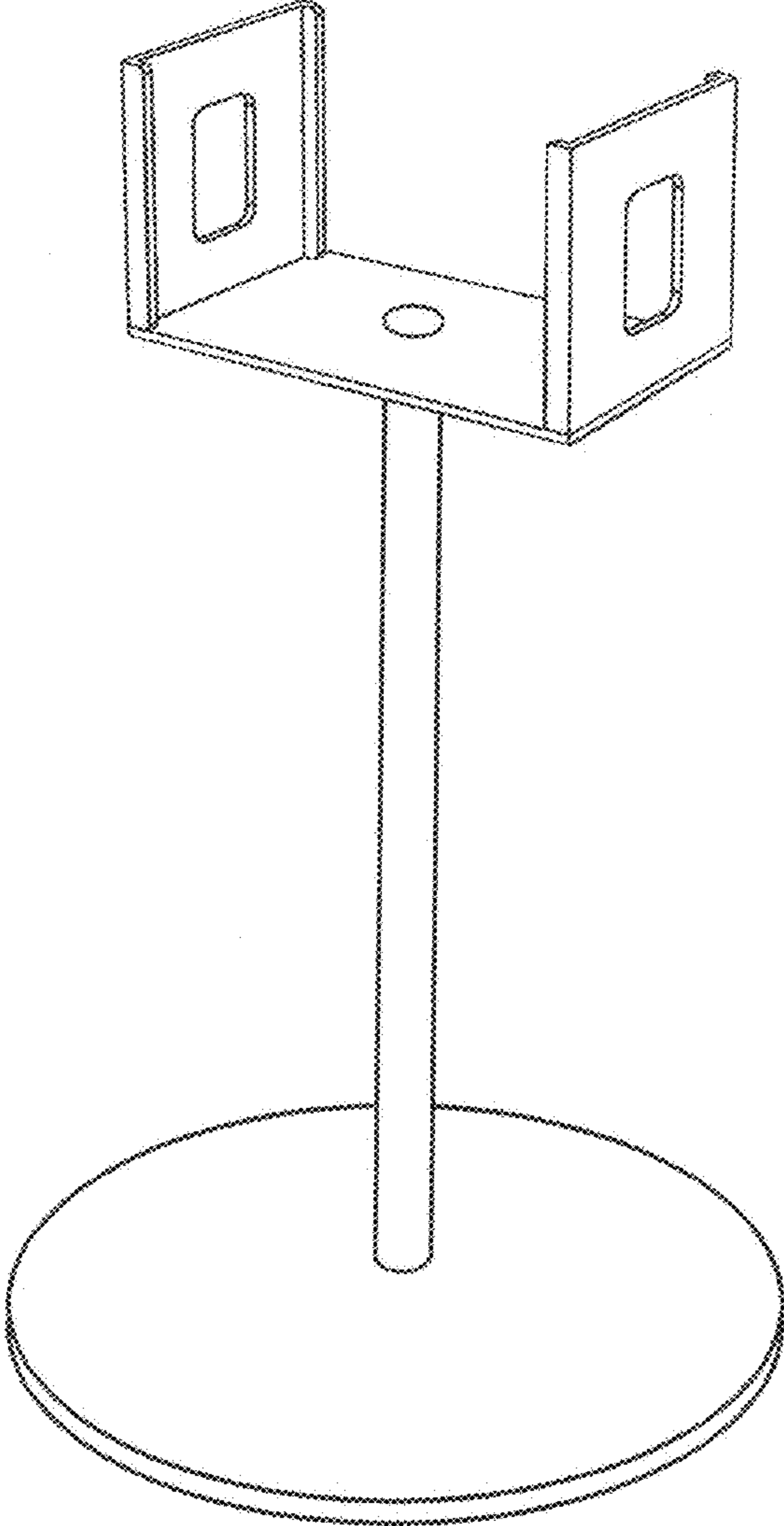


Fig. 1

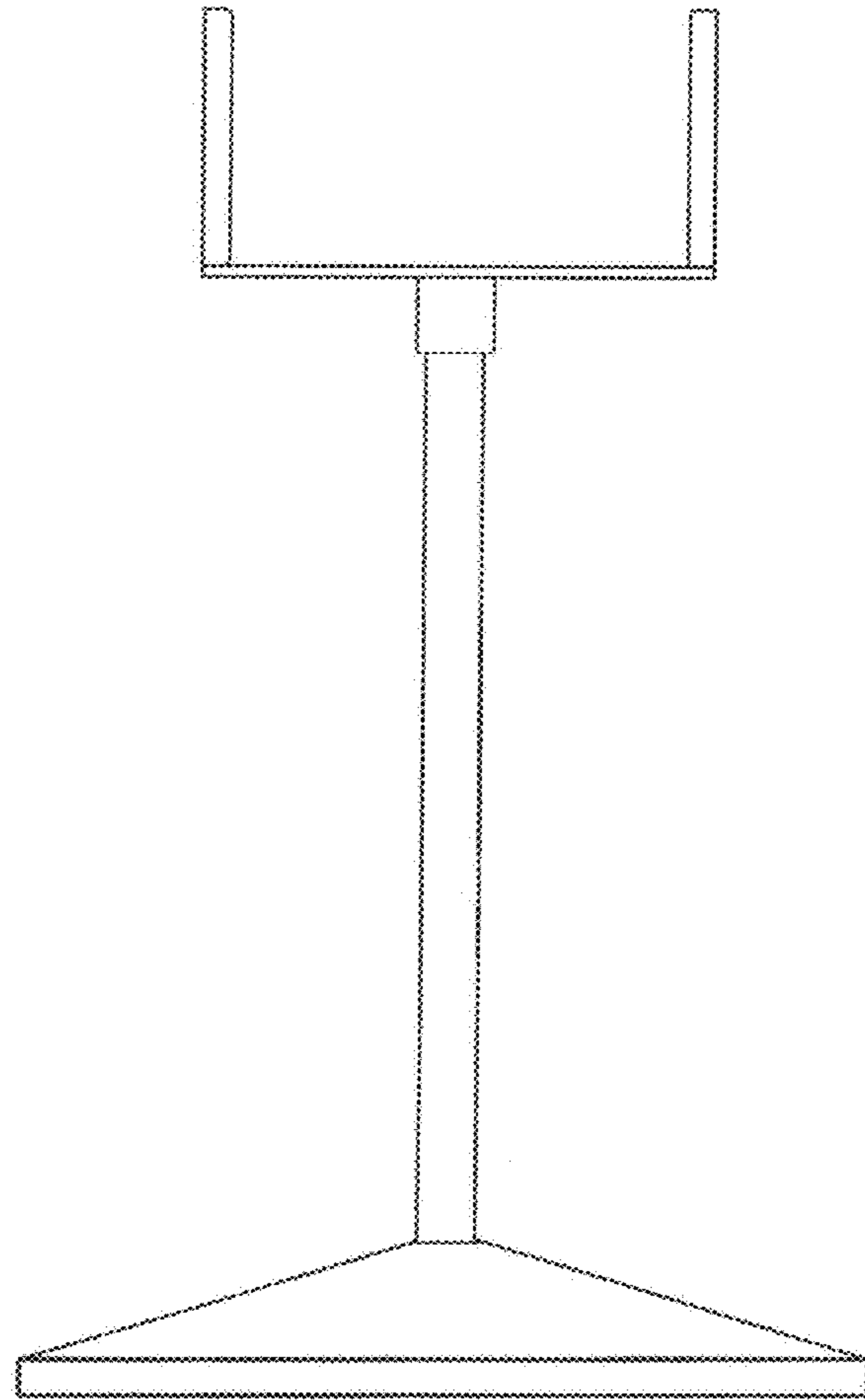


Fig.2

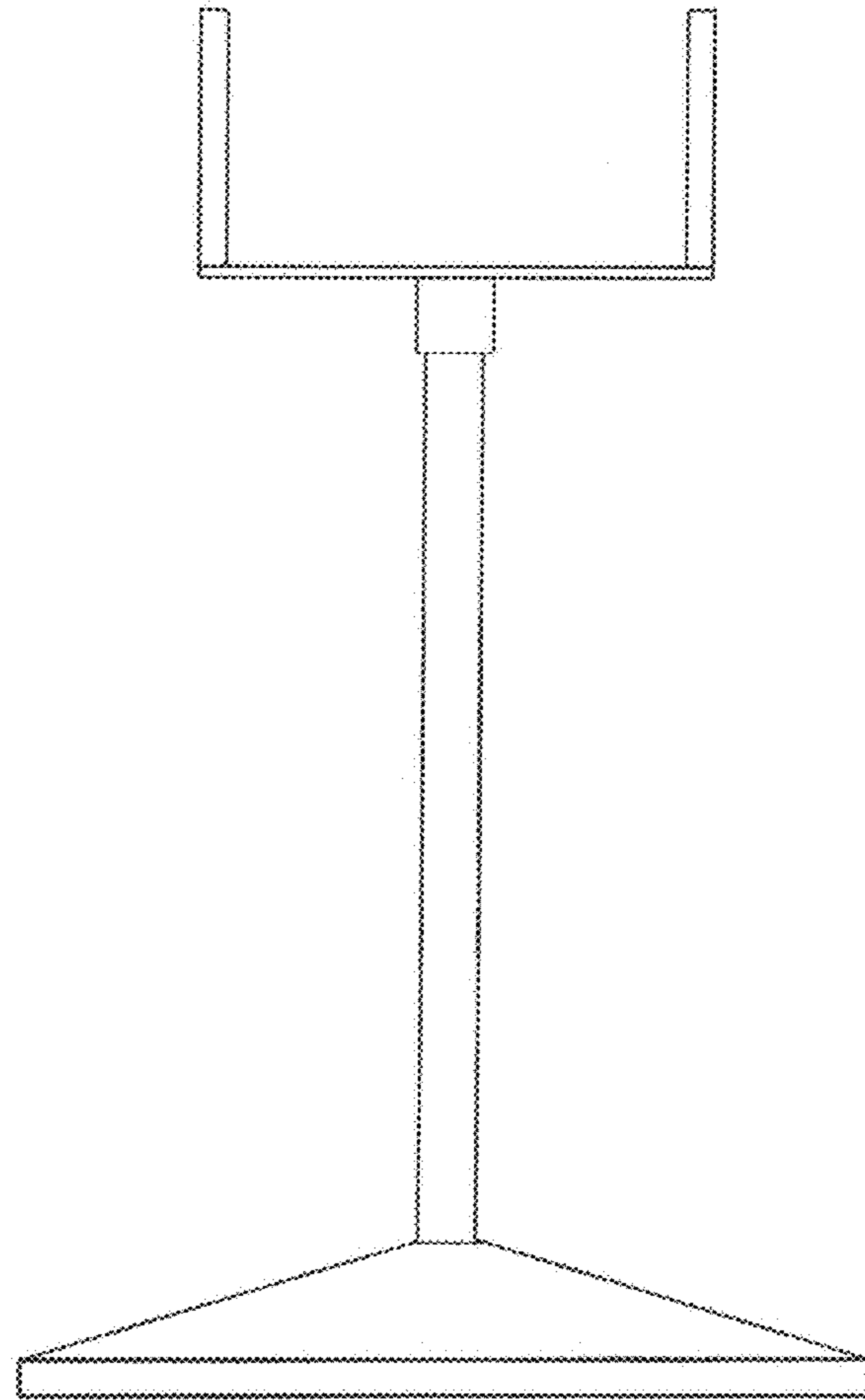


Fig.3

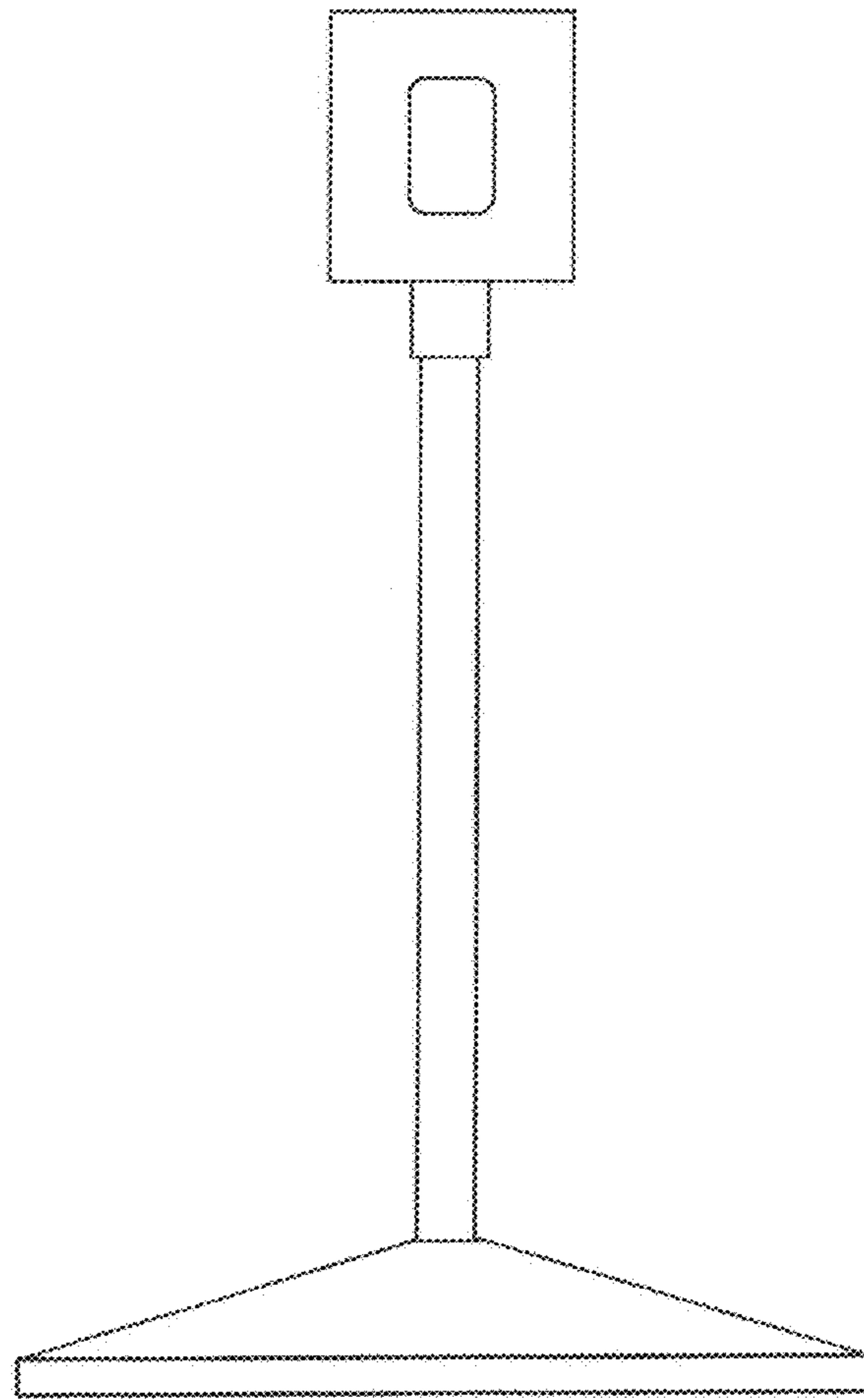


Fig.4

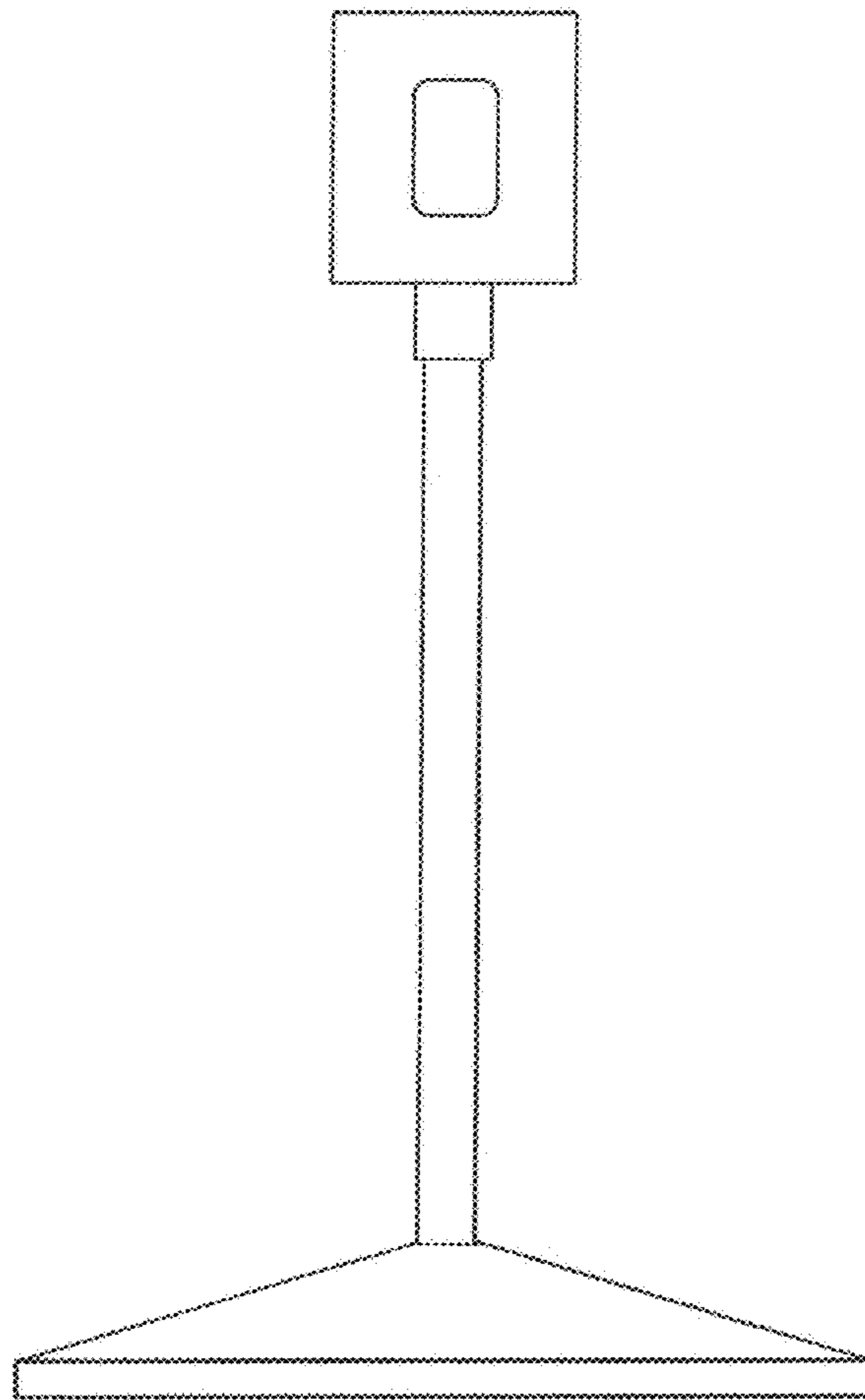


Fig.5

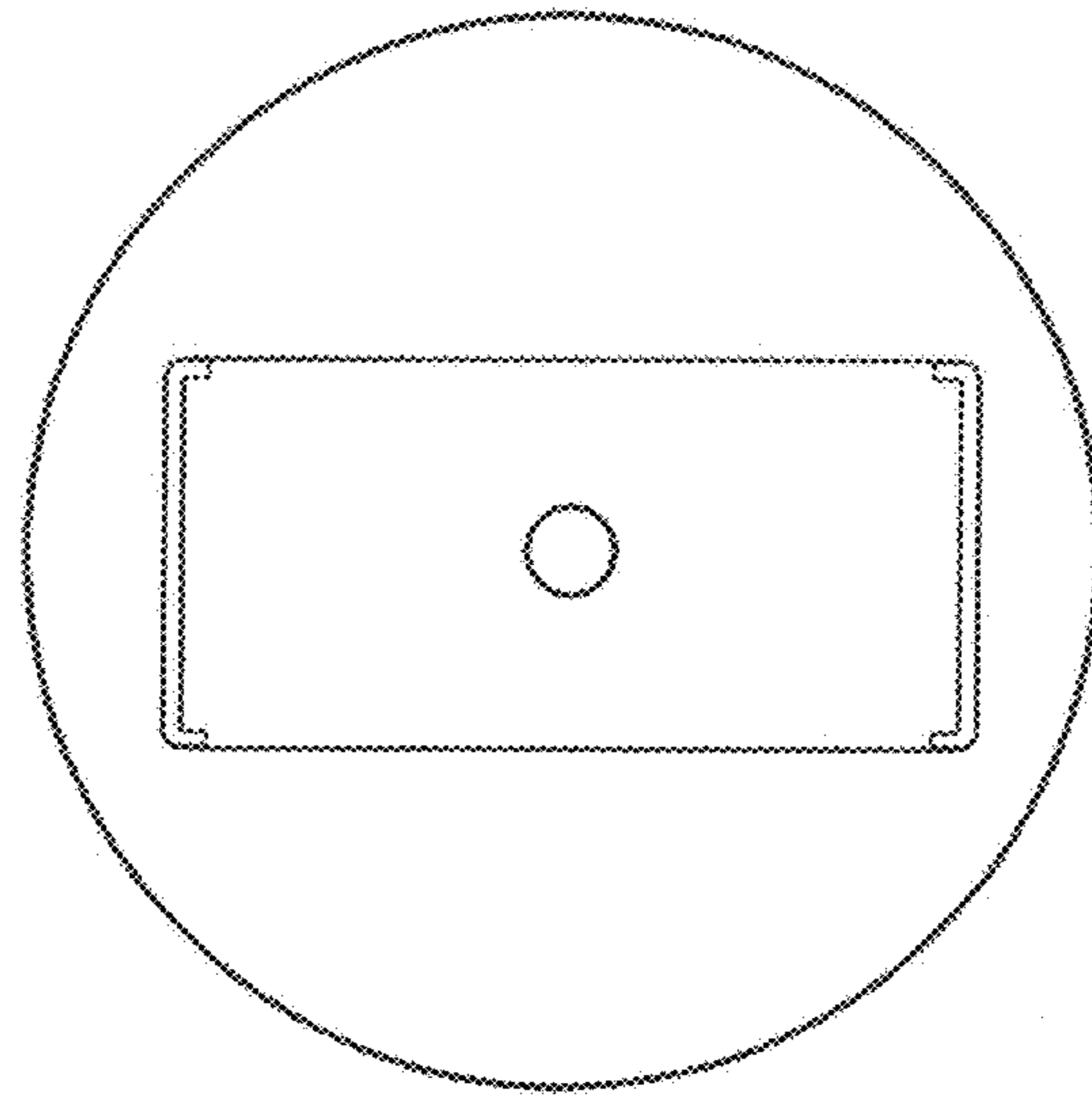


Fig.6

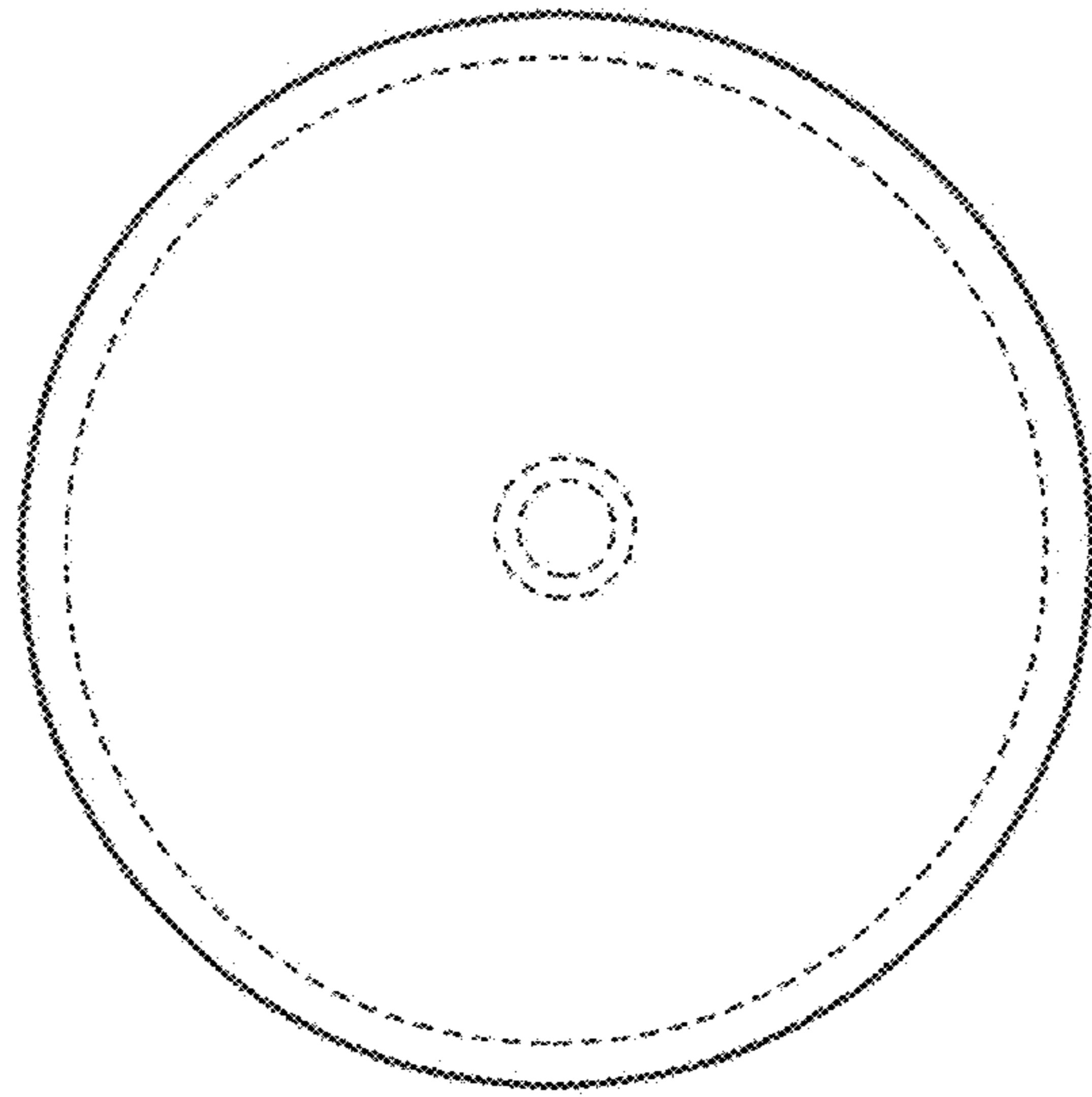


Fig.7