

US00D969782S

(12) **United States Design Patent** (10) **Patent No.:** **US D969,782 S**
Kobayashi et al. (45) **Date of Patent:** **** Nov. 15, 2022**

(54) **EARPHONE**
(71) Applicant: **Roland Corporation**, Shizuoka (JP)
(72) Inventors: **Teruyoshi Kobayashi**, Shizuoka (JP);
Andrea Grecucci, Milan (IT)
(73) Assignee: **Roland Corporation**, Shizuoka (JP)
(**) Term: **15 Years**

D782,442 S * 3/2017 Chen D14/205
D788,079 S * 5/2017 Son D14/223
D801,951 S * 11/2017 Bao D14/223
D841,627 S * 2/2019 Wen D14/223
D852,782 S 7/2019 Bergman et al.
D880,457 S * 4/2020 Zhu D14/223
D885,372 S * 5/2020 Wang D14/223
D904,350 S * 12/2020 Zhou D14/223
D940,112 S * 1/2022 Yi D14/223

(21) Appl. No.: **29/794,698**
(22) Filed: **Jun. 15, 2021**

FOREIGN PATENT DOCUMENTS

KR DM095337 12/2017
KR 301027607 10/2019

(30) **Foreign Application Priority Data**

Dec. 23, 2020 (JP) 2020-027778 D

(51) **LOC (13) Cl.** **14-01**
(52) **U.S. Cl.**
USPC **D14/223**

(58) **Field of Classification Search**
USPC D14/223, 205, 206; D24/174, 217, 218;
128/864, 865, 866; 181/129, 130, 135;
379/430, 431; 381/380, 381, 322-324,
381/330; 455/90.3, 575, 1, 569.1;
D9/415, 432, 721; D3/274, 294;
D13/108
CPC H04R 1/10; H04R 25/00; H04R 1/1016;
H04R 1/1066; H04R 5/033; H04R
5/0335; H04R 1/1091; H04R 1/1058;
H04R 1/105; H04R 1/1083
See application file for complete search history.

OTHER PUBLICATIONS

“Notice of Allowance of Japan Counterpart Application”, dated Jul. 27, 2021, with English translation thereof, p. 1-p. 6.

* cited by examiner

Primary Examiner — Katie Jane Stofko
(74) *Attorney, Agent, or Firm* — JCIPRNET

(57) **CLAIM**

The ornamental design for an earphone, as shown and described.

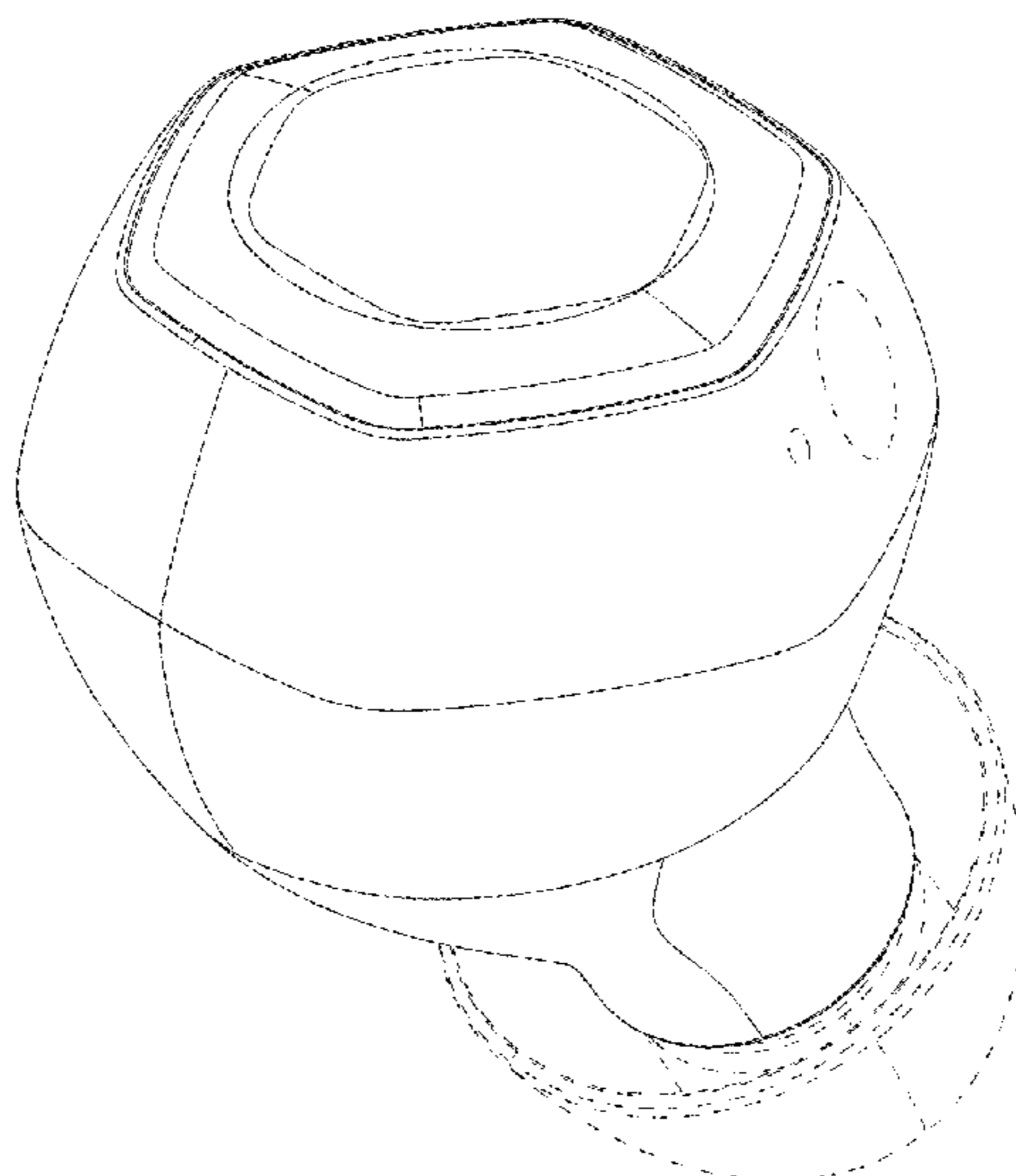
DESCRIPTION

FIG. 1 is a front, top and left side perspective view on an earphone showing our new design;
FIG. 2 is a front view thereof;
FIG. 3 is a rear view thereof;
FIG. 4 is a left side view thereof;
FIG. 5 is a right side view thereof;
FIG. 6 is a top view thereof; and,
FIG. 7 is a bottom view thereof.
The broken lines in the drawings depict portions of the earphone that form no part of the claimed design.

(56) **References Cited**
U.S. PATENT DOCUMENTS

D652,822 S * 1/2012 Lee D14/223
D660,292 S * 5/2012 Rautiainen D14/223
D676,026 S * 2/2013 Lee D14/223
D676,834 S * 2/2013 Lee D14/223
D708,599 S * 7/2014 Ang H04R 1/10
D14/223

1 Claim, 7 Drawing Sheets



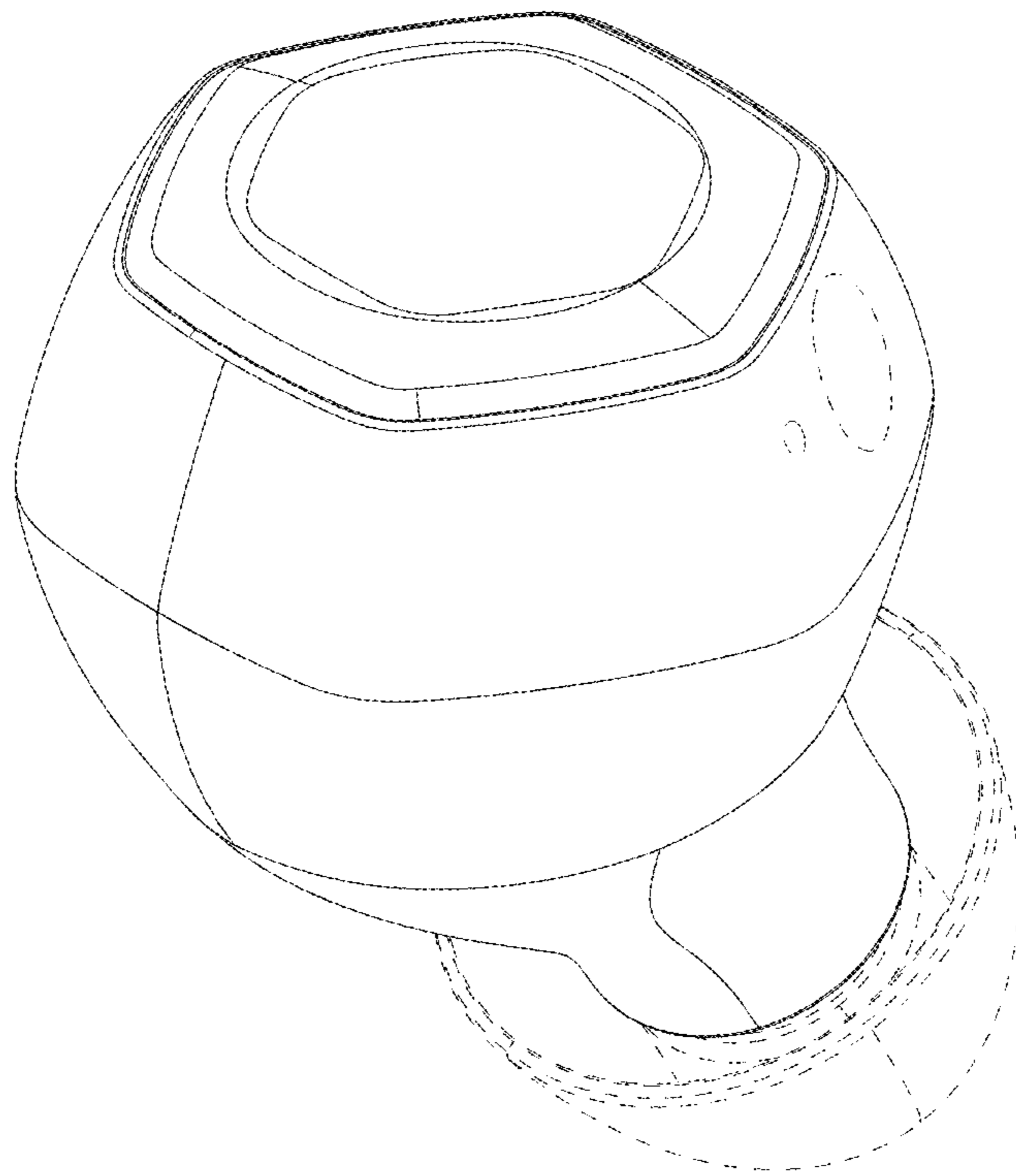


FIG. 1

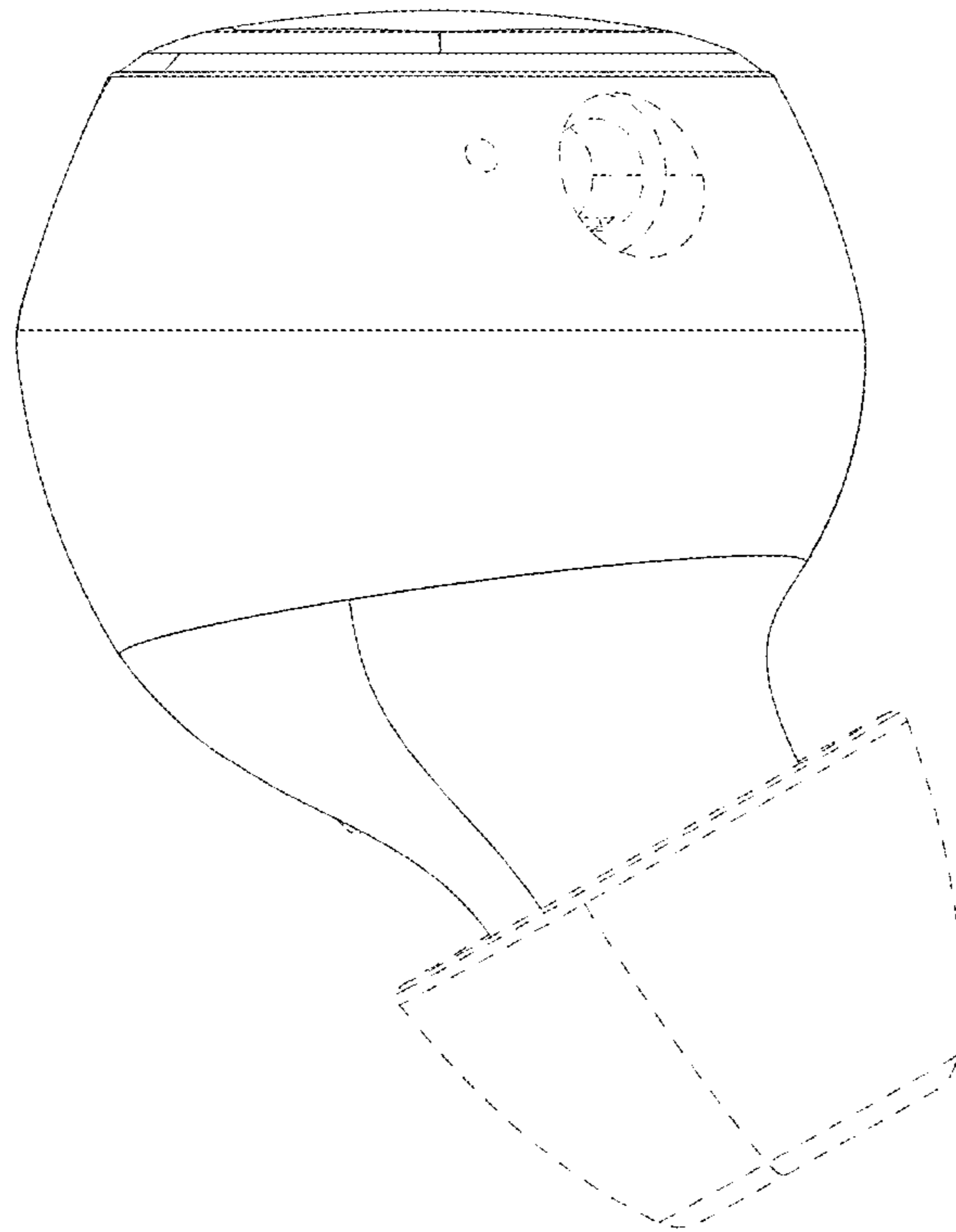


FIG. 2

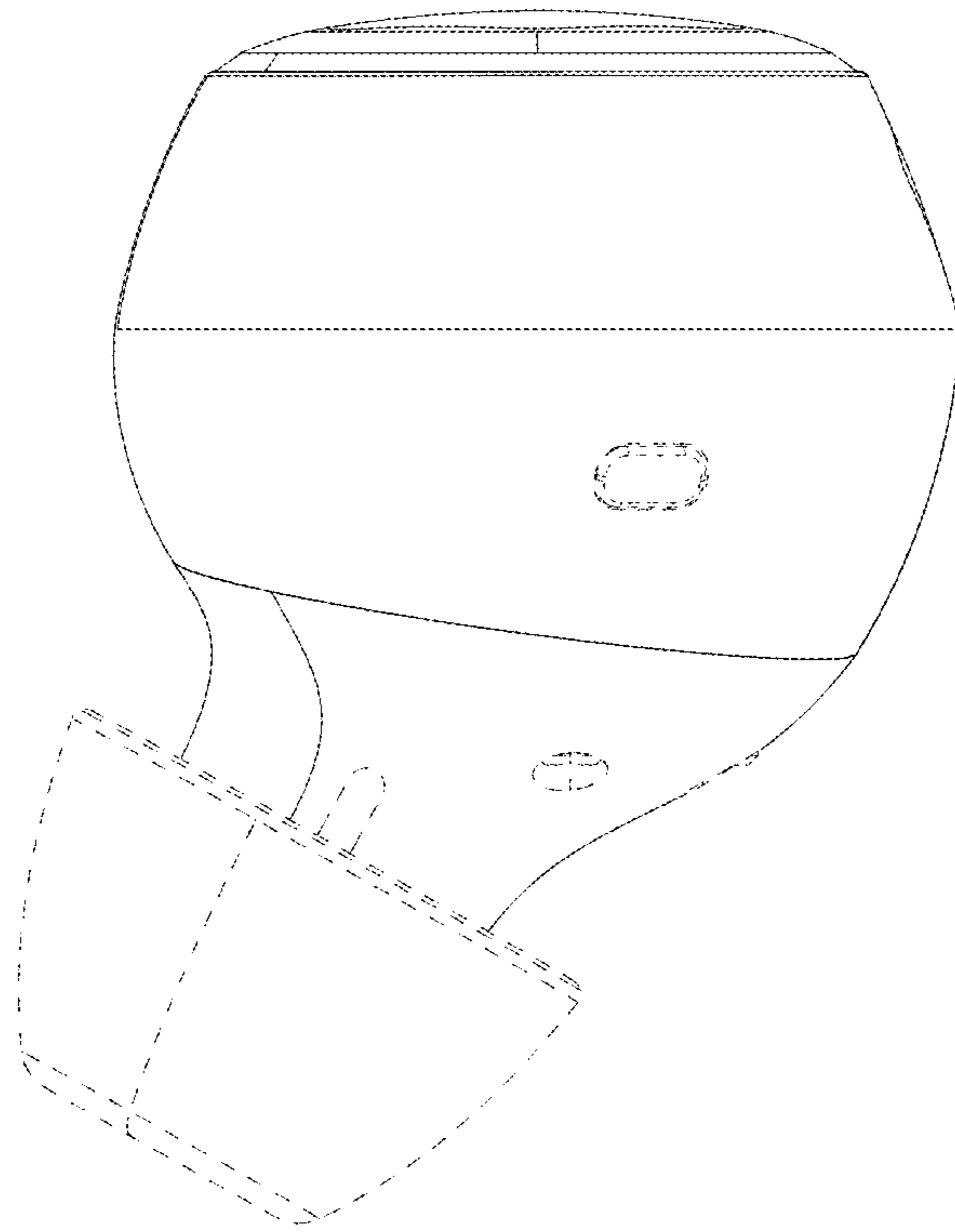


FIG. 3

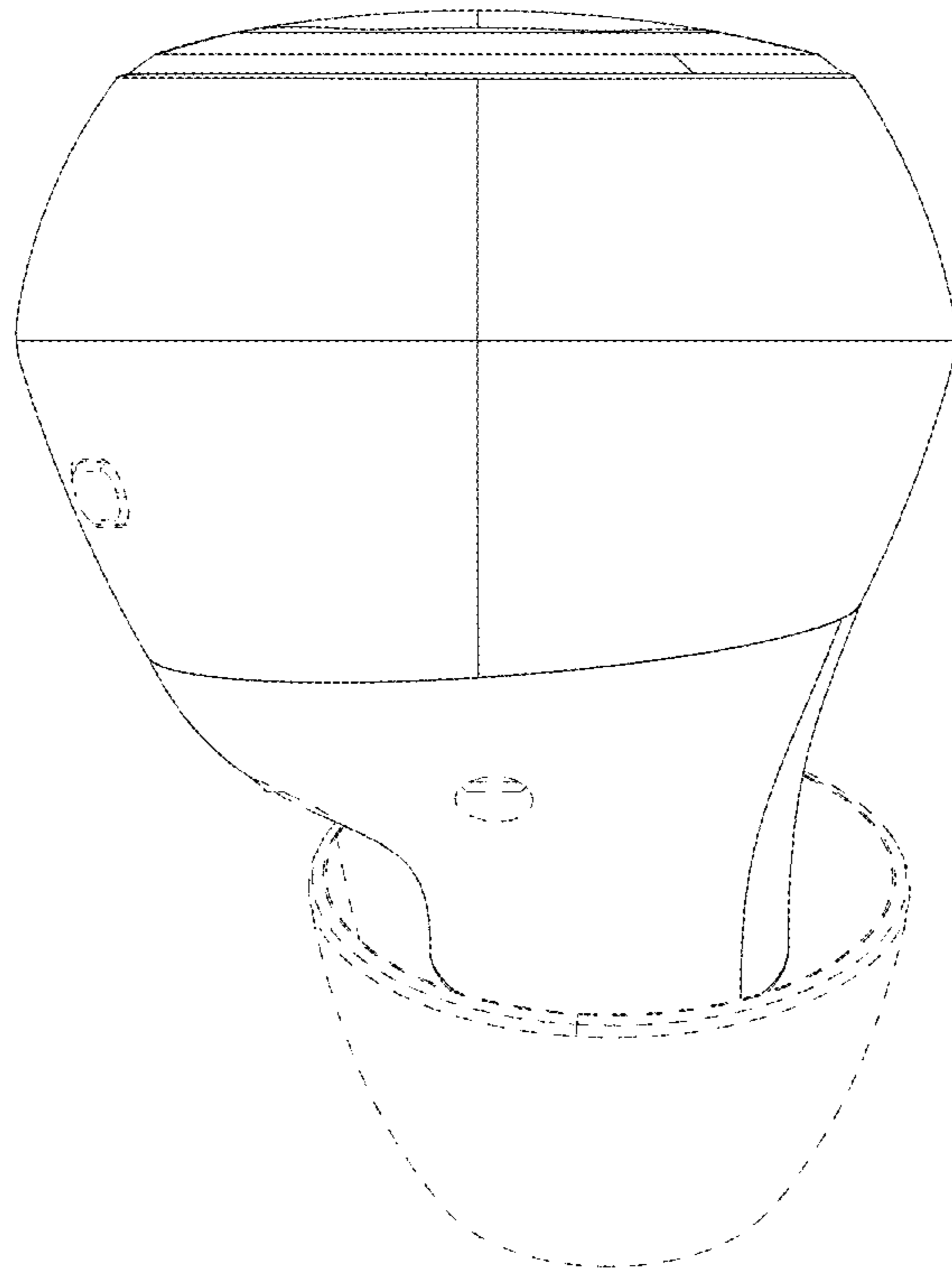


FIG. 4

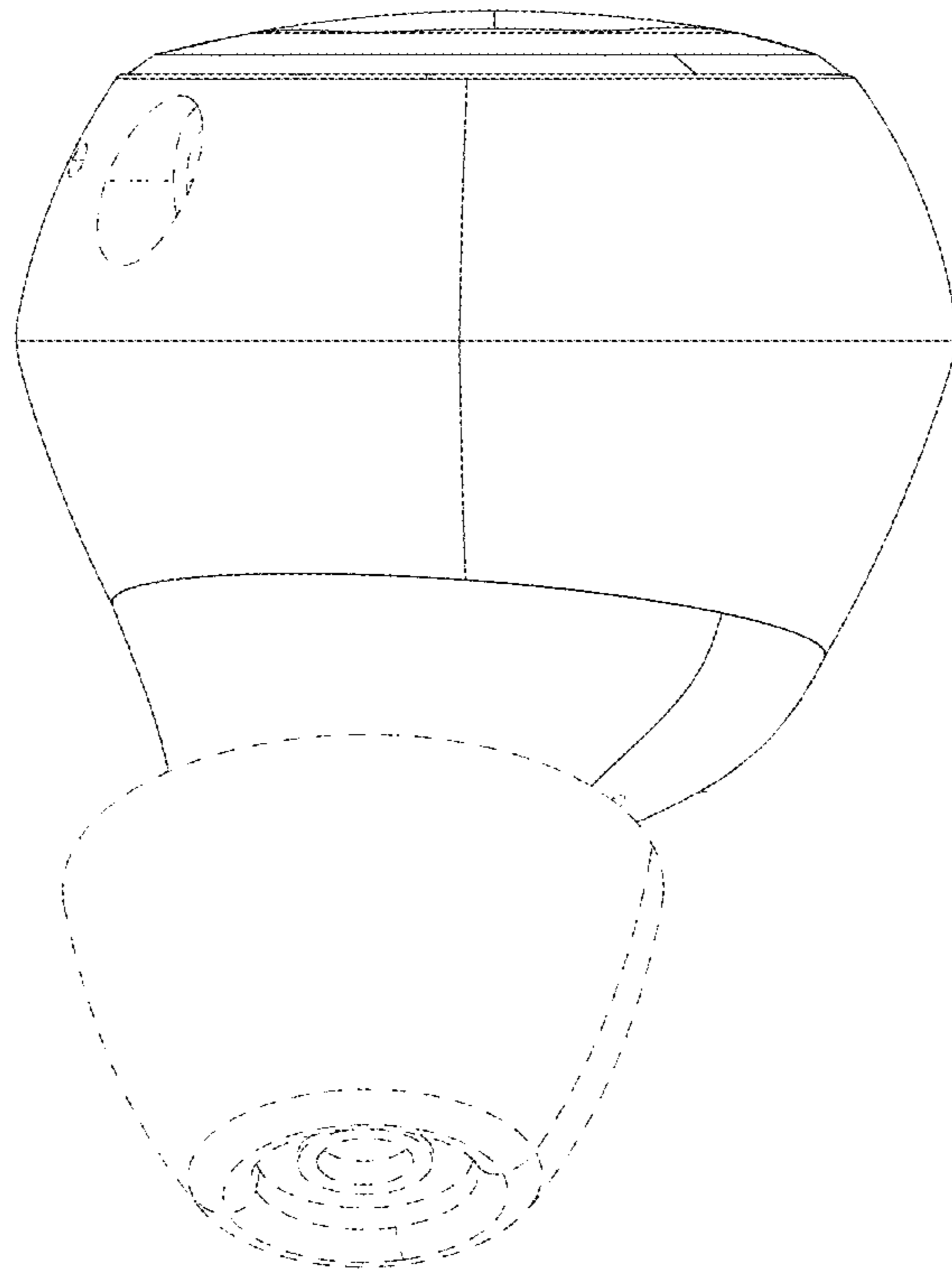


FIG. 5

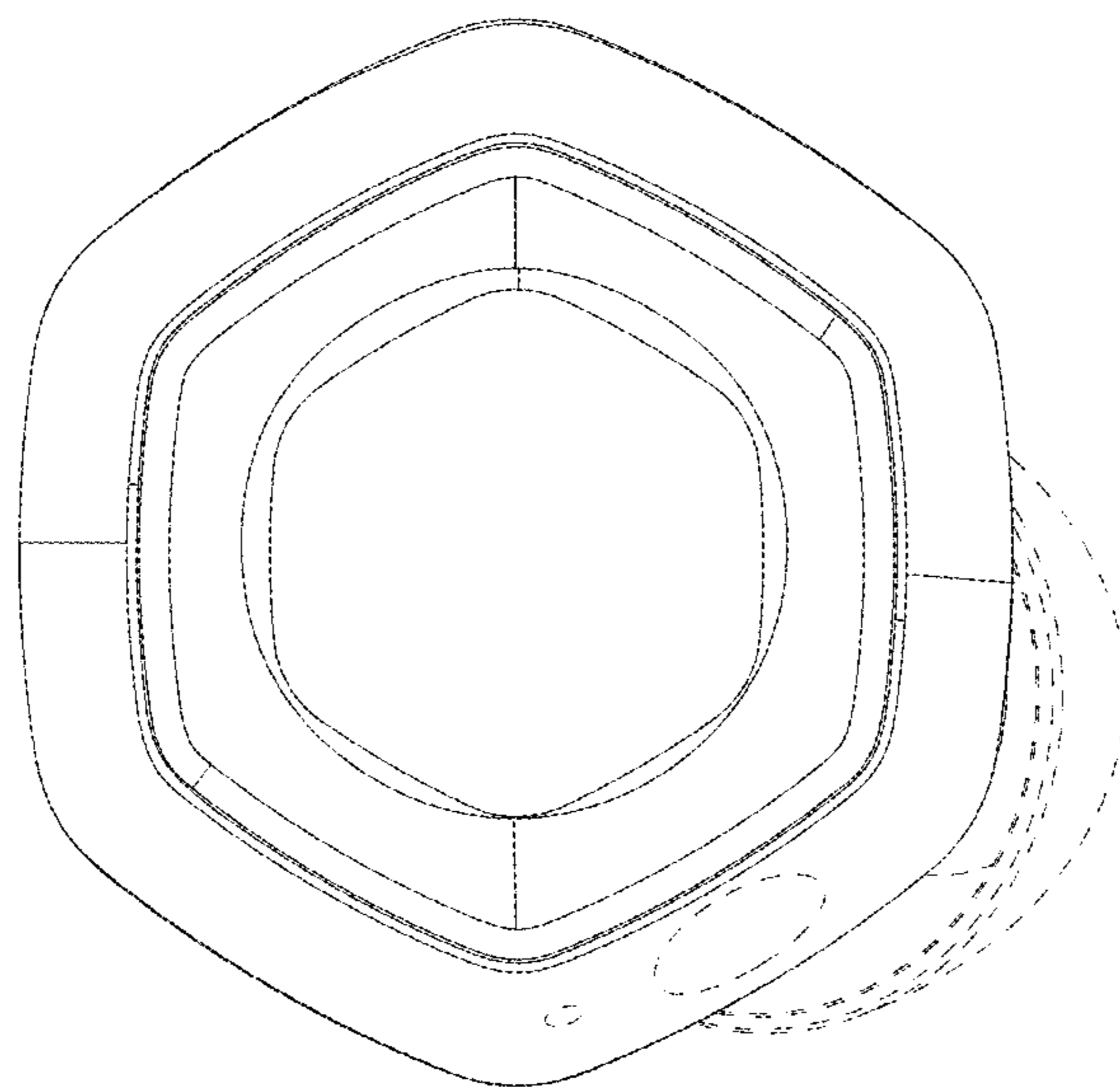


FIG. 6

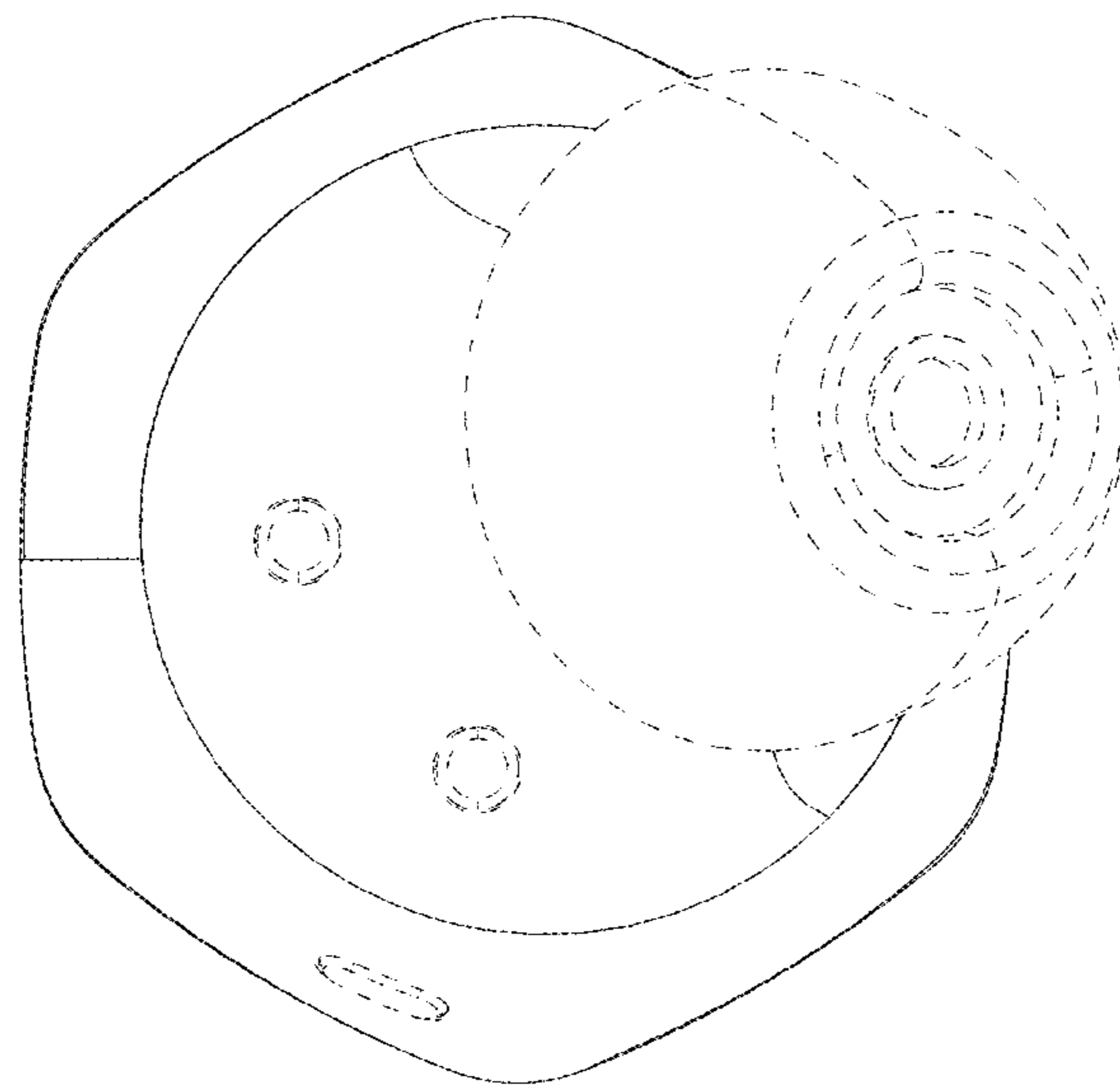


FIG. 7