



US00D969779S

(12) **United States Design Patent** (10) **Patent No.:** **US D969,779 S**
Sundkvist et al. (45) **Date of Patent:** **** Nov. 15, 2022**

(54) **EARPHONE**

(71) Applicant: **Sectio Aurea AS**, Oslo (NO)

(72) Inventors: **Johan Sundkvist**, Oslo (NO); **Henrik Myhre-Sandmark**, Oslo (NO)

(73) Assignee: **Sectio Aurea AS**

(**) Term: **15 Years**

(21) Appl. No.: **29/739,893**

(22) Filed: **Jun. 30, 2020**

(30) **Foreign Application Priority Data**

Dec. 30, 2019 (EM) 007461553

(51) **LOC (13) Cl.** **14-01**

(52) **U.S. Cl.**
USPC **D14/223**

(58) **Field of Classification Search**
USPC ... D14/205, 207, 217, 221, 223, 224, 224.1,
D14/225; D24/173, 174

CPC H04R 1/10; H04R 1/1016; H04R 1/1066;
H04R 1/105; H04R 1/1033; H04R 1/08;
H04R 5/033; H04R 5/0335; H04R 25/00

See application file for complete search history.

(56) **References Cited**

U.S. PATENT DOCUMENTS

D470,123 S * 2/2003 Hlas D14/205
8,897,480 B2 * 11/2014 Tan H04R 1/1058
381/370
D750,600 S * 3/2016 Crawford D14/223
D754,638 S * 4/2016 Krissman D14/223
D813,373 S * 3/2018 Williams D24/106
D872,060 S * 1/2020 Briggs D14/223
D883,262 S * 5/2020 Wu D14/223
D895,581 S * 9/2020 Wu D14/223

(Continued)

FOREIGN PATENT DOCUMENTS

CN 306760702 * 8/2021
CN 306794677 * 8/2021

(Continued)

OTHER PUBLICATIONS

Anker Soundcore Spirit Dot 2 review, announced Dec. 3, 2021 [online], retrieved Apr. 22, 2022, retrieved from internet, <https://www.soundguys.com/anker-soundcore-spirit-dot-2-39177/>.*

(Continued)

Primary Examiner — Messina L Smith

(74) *Attorney, Agent, or Firm* — Lerner, David, Littenberg, Krumholz & Mentlik, LLP

(57) **CLAIM**

The ornamental design for an earphone, as shown and described.

DESCRIPTION

The present application is also related to U.S. Design patent application Ser. No. 29/739,895 and U.S. Design patent application Ser. No. 29/739,897, both of which are concurrently filed herewith, and the disclosures all of which are incorporated herein by reference.

FIG. 1 is a front perspective view of an earphone according to our new design;

FIG. 2 is a rear elevation view of FIG. 1;

FIG. 3 is a front elevation view of FIG. 1;

FIG. 4 is a left side elevation view of FIG. 1;

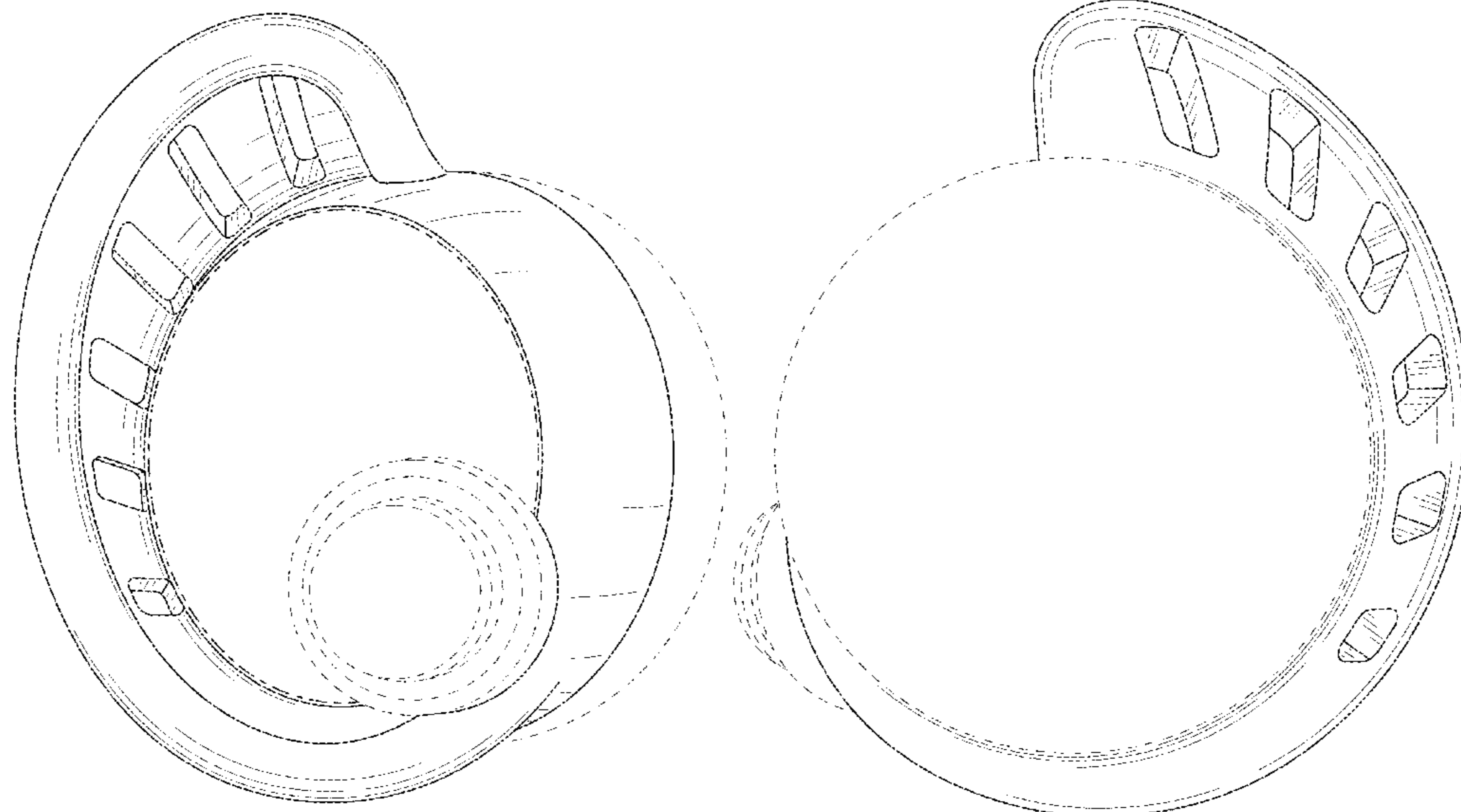
FIG. 5 is a right side elevation view of FIG. 1;

FIG. 6 is a top plan view of FIG. 2; and,

FIG. 7 is a bottom plan view of FIG. 2.

The broken lines of even length shown in the drawings illustrate portions of the earphone that form no part of the claimed design. The broken lines of uneven length represent boundary lines that form no part of the claimed design.

1 Claim, 7 Drawing Sheets



(56)

References Cited

U.S. PATENT DOCUMENTS

D910,602 S * 2/2021 Feng D14/223
 D916,054 S * 4/2021 Sretovic D14/223
 D930,620 S * 9/2021 Lindenberger D14/223
 D932,467 S * 10/2021 Feng D14/223
 D948,481 S * 4/2022 Czaniecki D14/223
 2003/0174853 A1* 9/2003 Howes H04R 1/105
 381/376
 2011/0255729 A1* 10/2011 Tan H04R 1/1016
 381/380

FOREIGN PATENT DOCUMENTS

CN 306870746 * 10/2021
 CN 306941676 * 11/2021
 GB 6096552 * 7/2020
 KR 301141781.0000 * 12/2021

OTHER PUBLICATIONS

Jbuds Pro Signature Earbuds, announced 2017 [online], retrieved Apr. 22, 2022, retrieved from internet, <https://www.jlab.com/>

collections/cush-fin-technology-focus-on-fit/products/jbuds-pro-signature-earbuds.*

MPOW M30 True Wireless Earbuds, announced Dec. 15, 2020 [online], retrieved Apr. 22, 2022, retrieved from internet, https://www.xmpow.com/products/official-store-mpow-437-true-wireless-earbuds.*

Wireless Earbuds Bluetooth, announced Oct. 12, 2021 [online], retrieved Apr. 22, 2022, retrieved from internet, https://www.u-buy.com.tw/en/product/1S72O9UO.*

Coscaaco Wireless Earbuds Earwing announced Mar. 1, 2022 [online], retrieved Apr. 22, 2022, retrieved from internet, https://www.amazon.com/Coscaaco-Bluetooth-Microphone-Compatible-Waterproof/dp/B09TP6YJD5.*

Wireless Earbuds, announced Jun. 21, 2020 [online], retrieved Apr. 22, 2022, retrieved from internet, https://www.amazon.com/Wireless-Tribit-Bluetooth-Waterproof-Headphones/dp/B088LW4JKR.*

Soundcore Spirit Dot 2 Review True Wireless Earbuds With Ear Fins, announced Aug. 14, 2020 [online], retrieved Apr. 22, 2022, retrieved from internet, https://www.gadgetexplained.com/2020/08/soundcore-spirit-dot-2-review-true.html.*

Sundkvist, J. et al., "Earphone," U.S. Appl. No. 29/739,895, filed Jun. 30, 2020.

Sundkvist, J. et al., "Earphone," U.S. Appl. No. 29/739,897, filed Jun. 30, 2020.

* cited by examiner

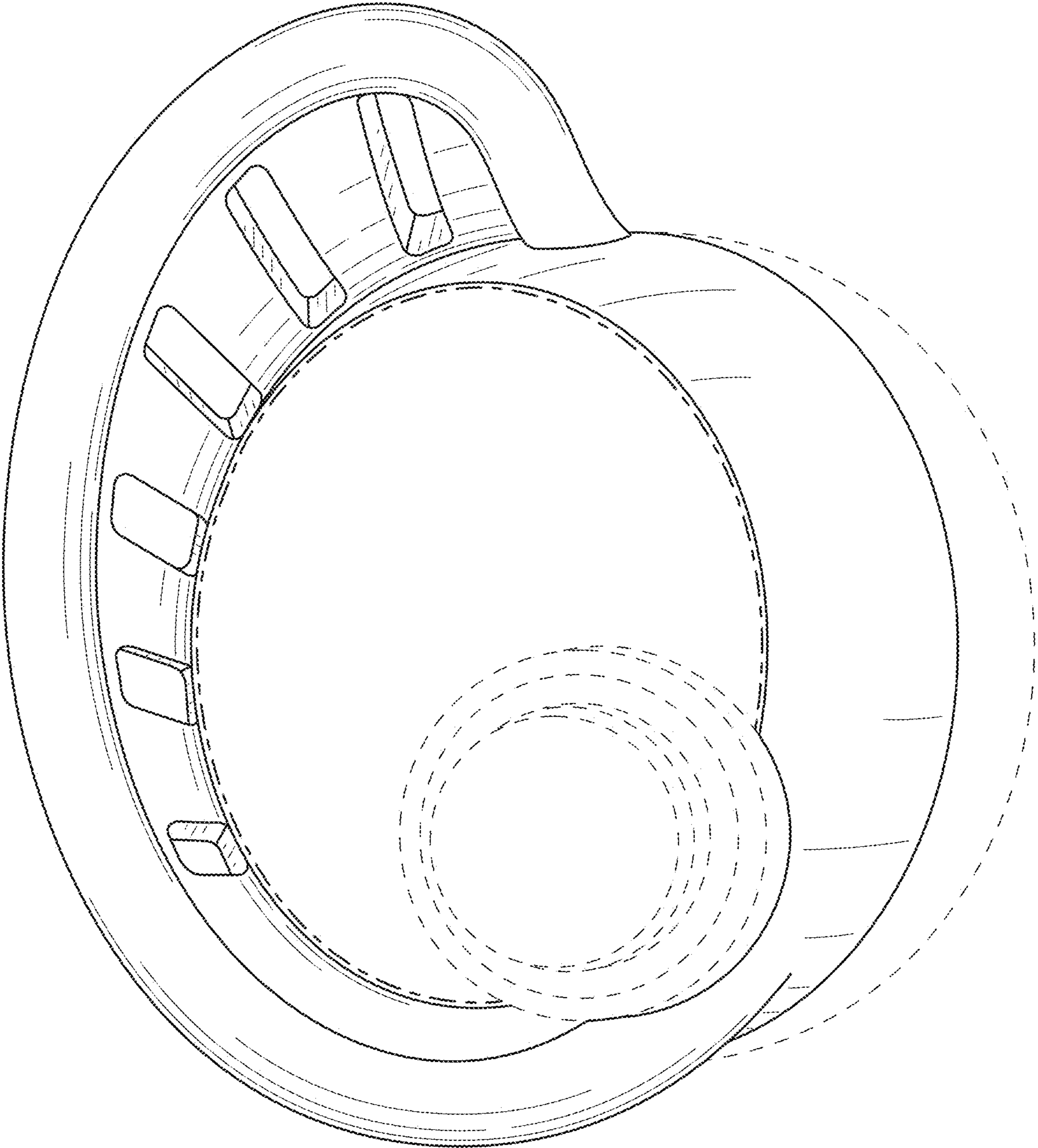


FIG. 1

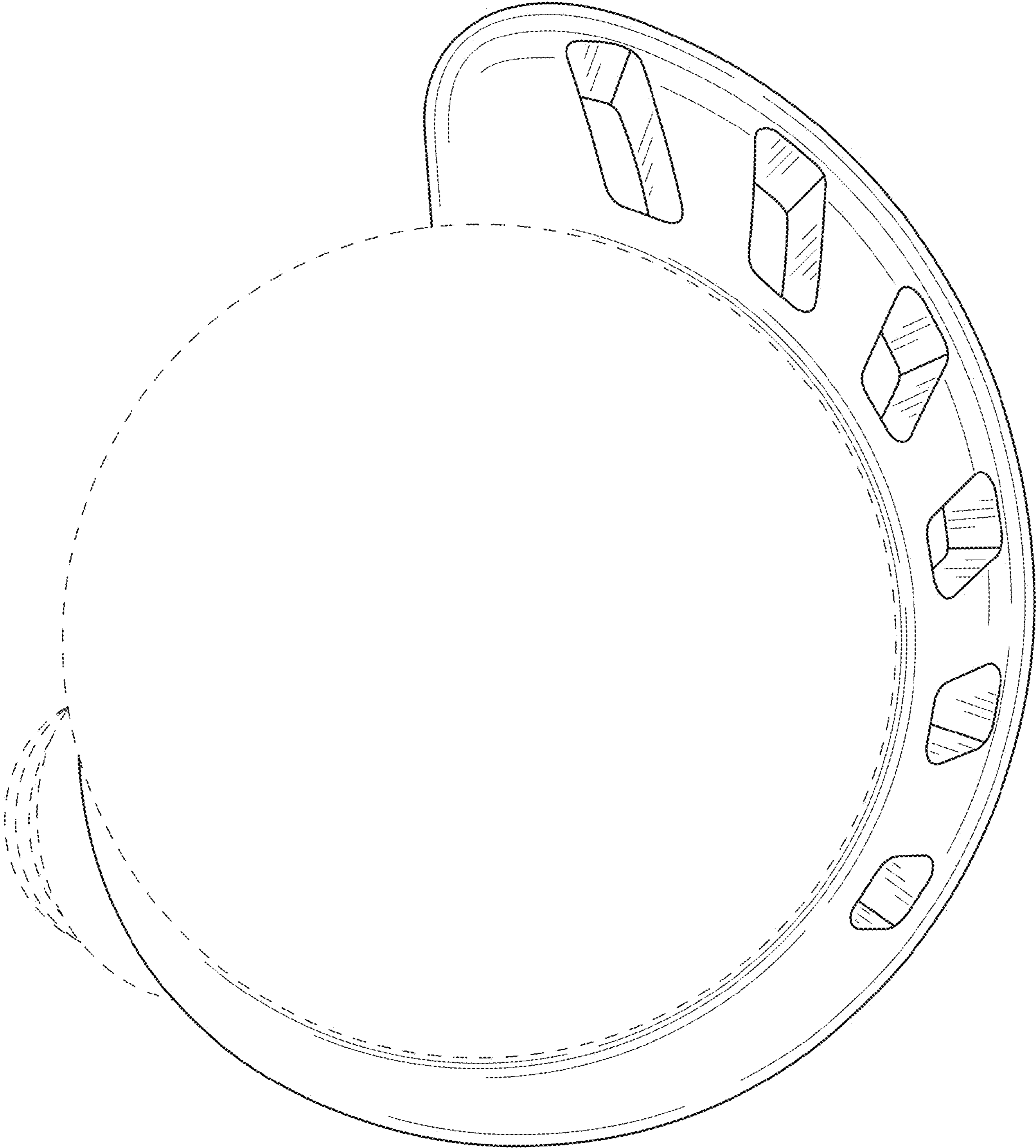


FIG. 2

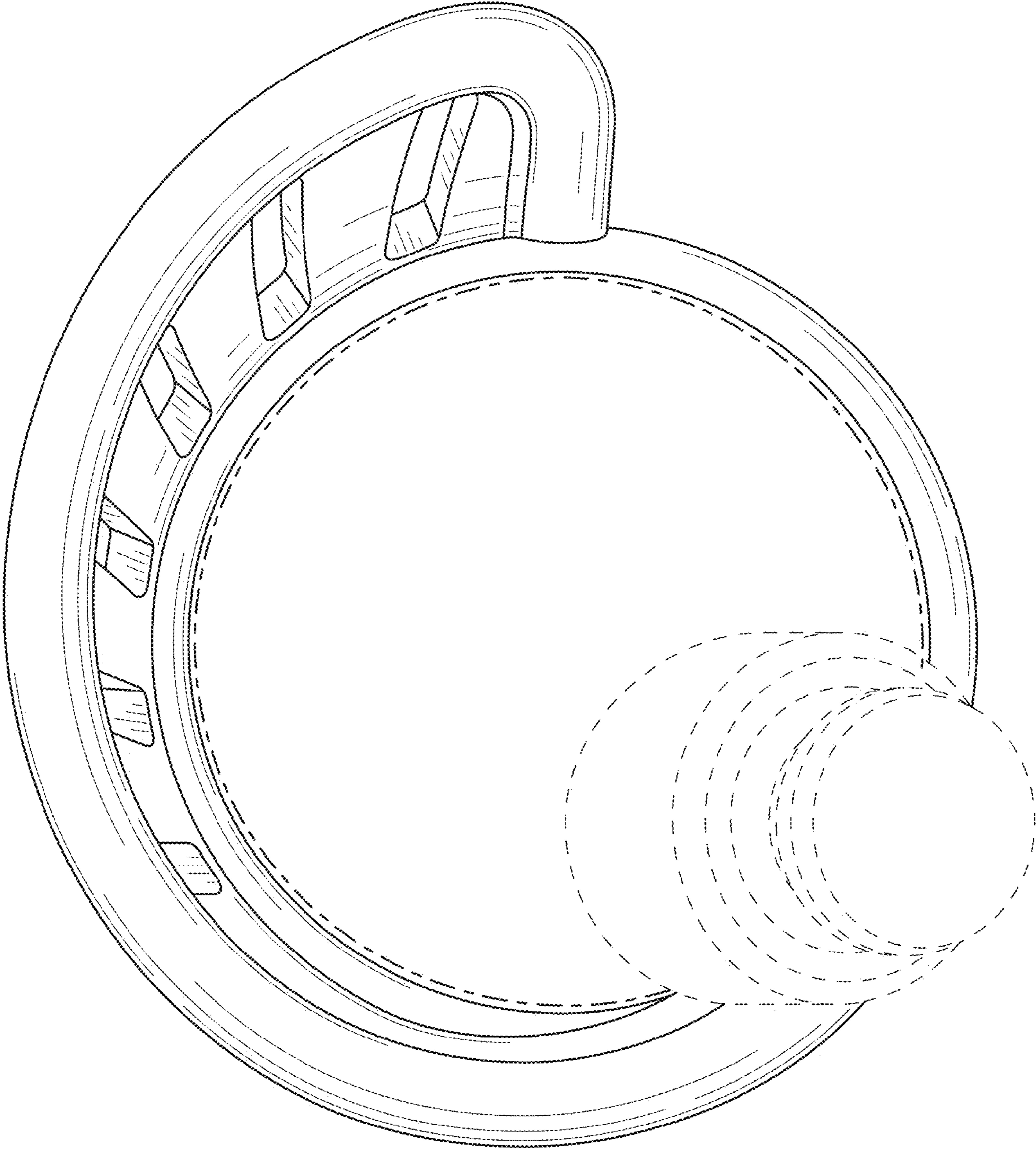


FIG. 3

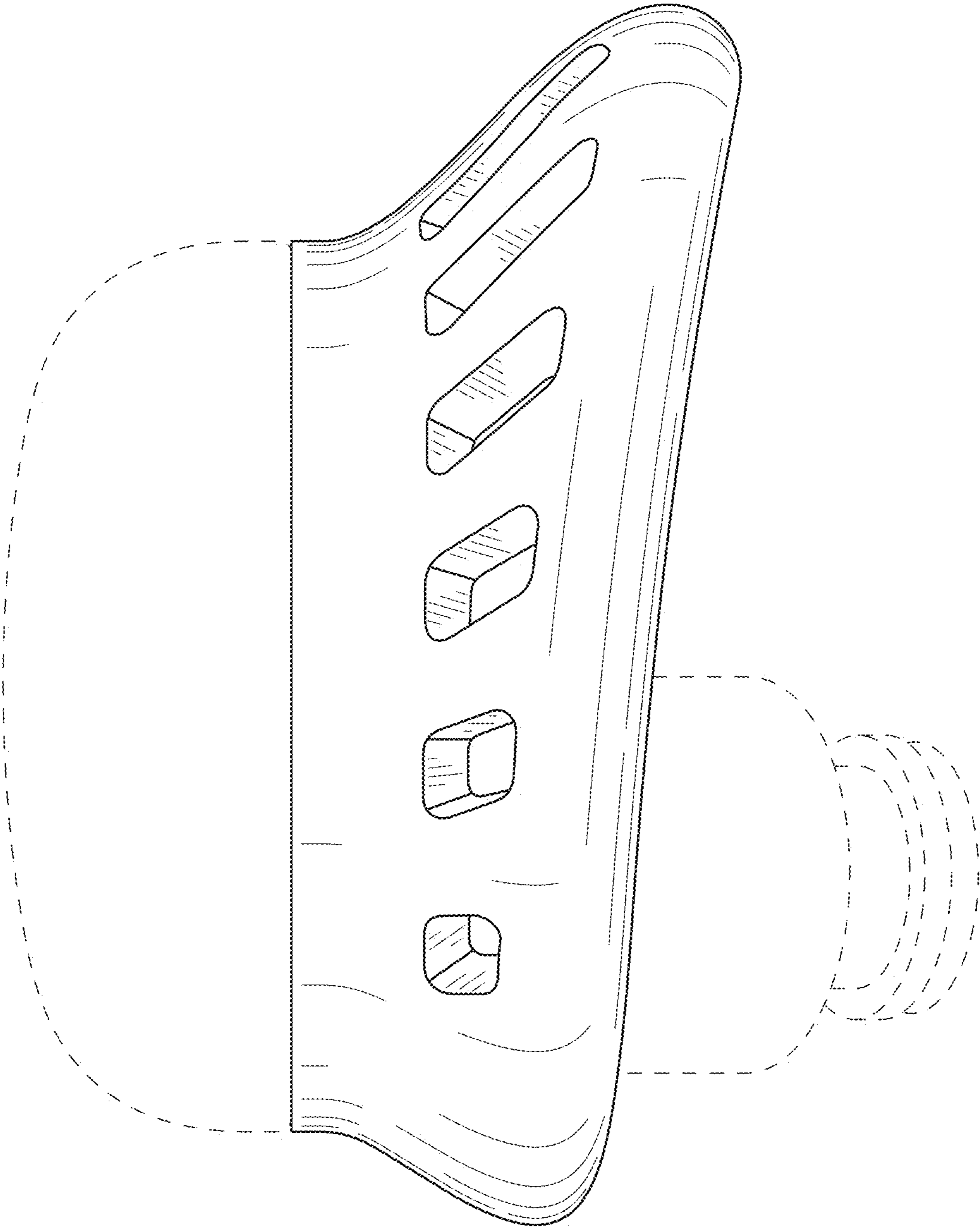


FIG. 4

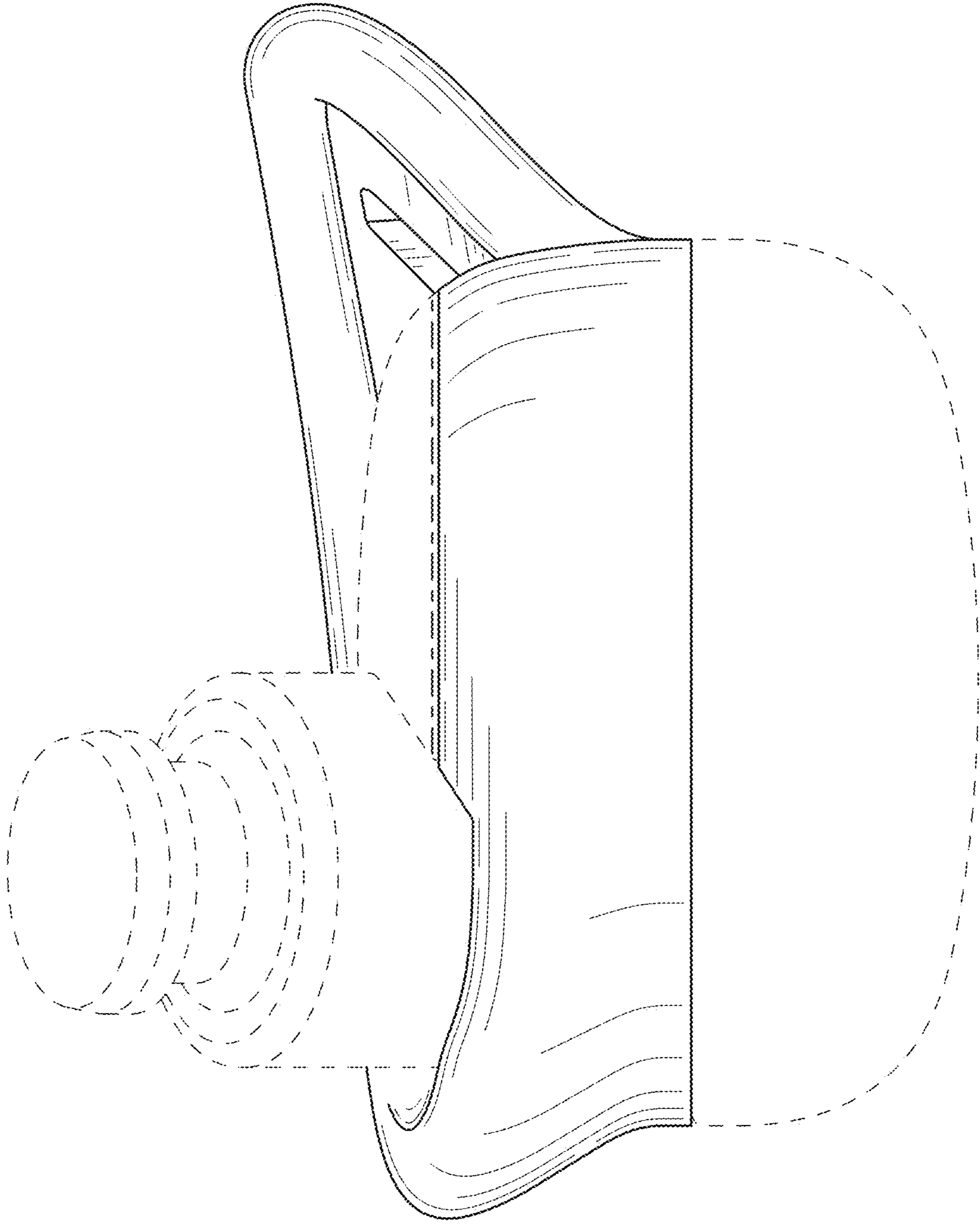


FIG. 5

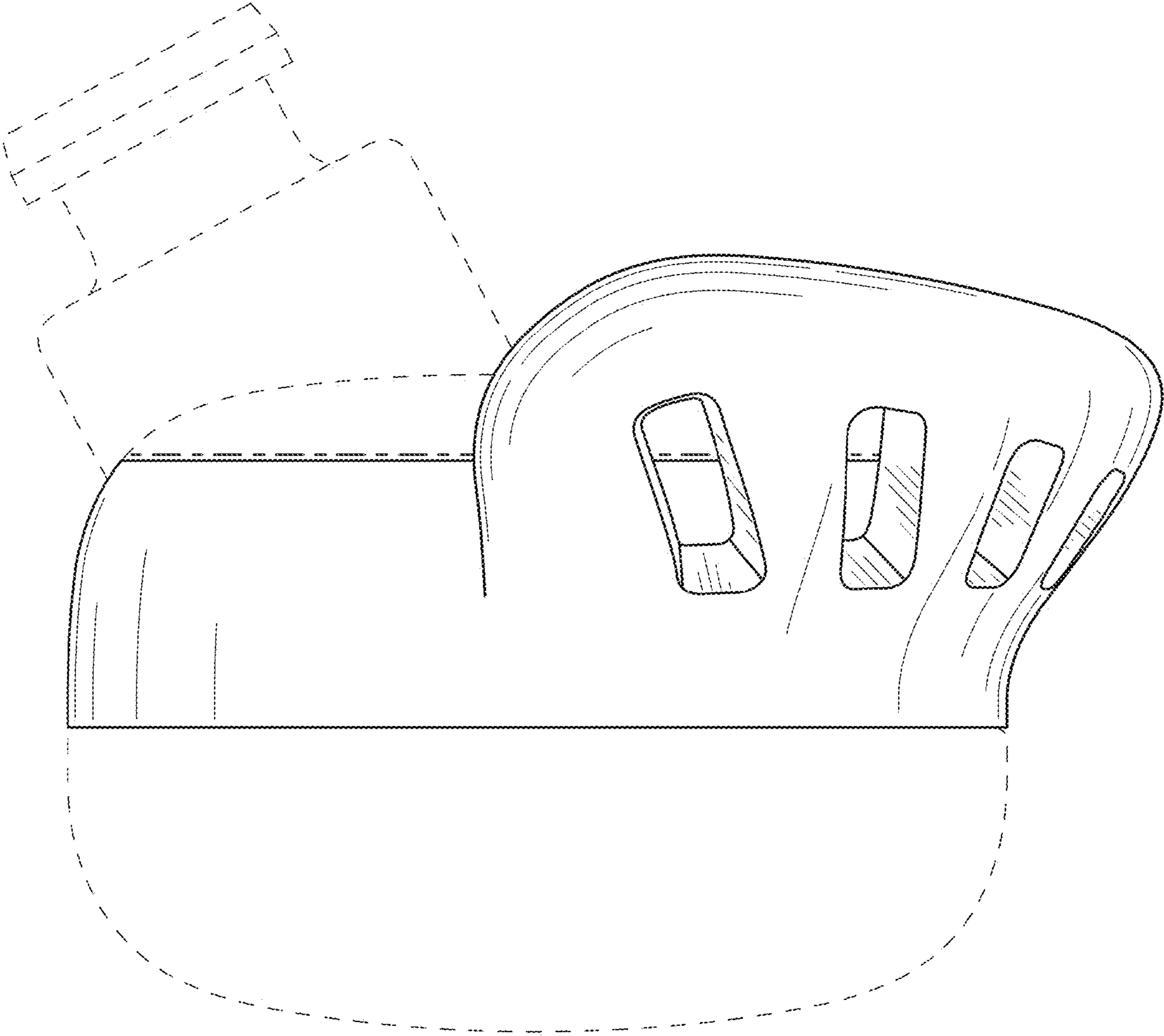


FIG. 6

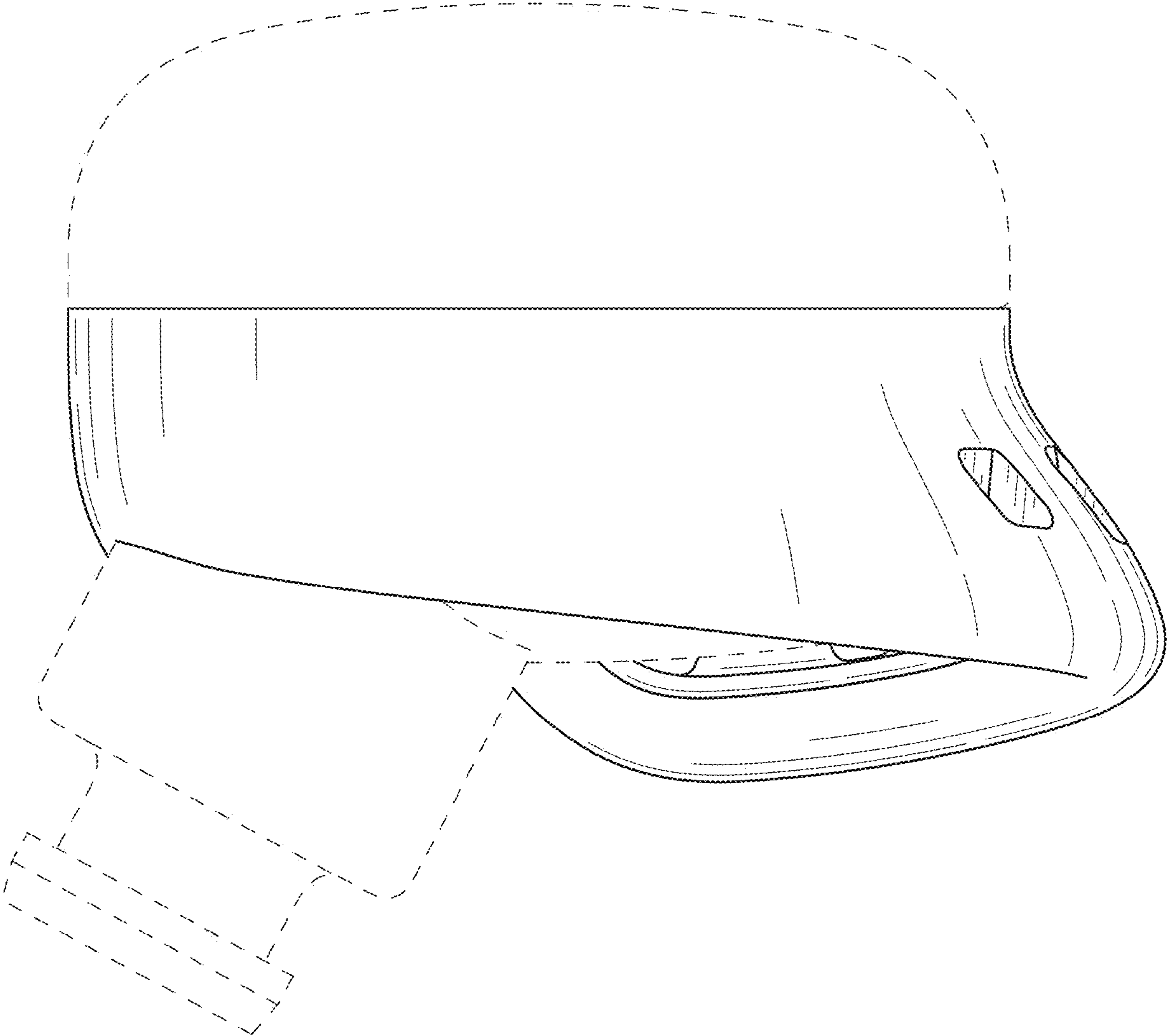


FIG. 7