



US00D969778S

(12) **United States Design Patent** (10) **Patent No.:** **US D969,778 S**  
**Biddle** (45) **Date of Patent:** **\*\* Nov. 15, 2022**

(54) **REMOTE CONTROL**  
(71) Applicant: **Amazon Technologies, Inc.**, Seattle, WA (US)

D535,261 S 1/2007 Daniels  
D546,320 S 7/2007 Choi  
D567,804 S \* 4/2008 Yan ..... D14/218  
(Continued)

(72) Inventor: **Jonathan Howard Biddle**, San Francisco, CA (US)

FOREIGN PATENT DOCUMENTS

CN 304505047 \* 2/2018  
CN 304588761 4/2018  
(Continued)

(73) Assignee: **Amazon Technologies, Inc.**, Seattle, WA (US)

OTHER PUBLICATIONS

ZdalaMit, RC280 Replacement Remote . . . , available at amazon.com, date first available Jan. 4, 2018, site visited Nov. 20, 2021, Available at URL: [https://www.amazon.com/dp/B078T633Q9/ref=cm\\_sw\\_em\\_r\\_mt\\_dp\\_0N14WP83N246YBHVTW0J](https://www.amazon.com/dp/B078T633Q9/ref=cm_sw_em_r_mt_dp_0N14WP83N246YBHVTW0J) (Year: 2018).\*  
(Continued)

(\*\*) Term: **15 Years**

(21) Appl. No.: **29/737,572**

(22) Filed: **Jun. 10, 2020**

(51) **LOC (13) Cl.** ..... **14-03**

(52) **U.S. Cl.**  
USPC ..... **D14/218**

(58) **Field of Classification Search**  
USPC ..... D14/230, 167, 435, 218; D13/168, 401; D21/333; D10/30-32, 38, 22, 14  
CPC .. G06F 1/1656; H01H 9/0235; H01H 9/0242; H01H 9/025; H01H 9/02; H01H 9/021; G08C 17/02; A47C 31/008  
See application file for complete search history.

*Primary Examiner* — Daniel J Domino  
*Assistant Examiner* — Samina Vieth  
(74) *Attorney, Agent, or Firm* — Lee & Hayes, P.C.

(57) **CLAIM**

The ornamental design for a remote control, as shown and described.

**DESCRIPTION**

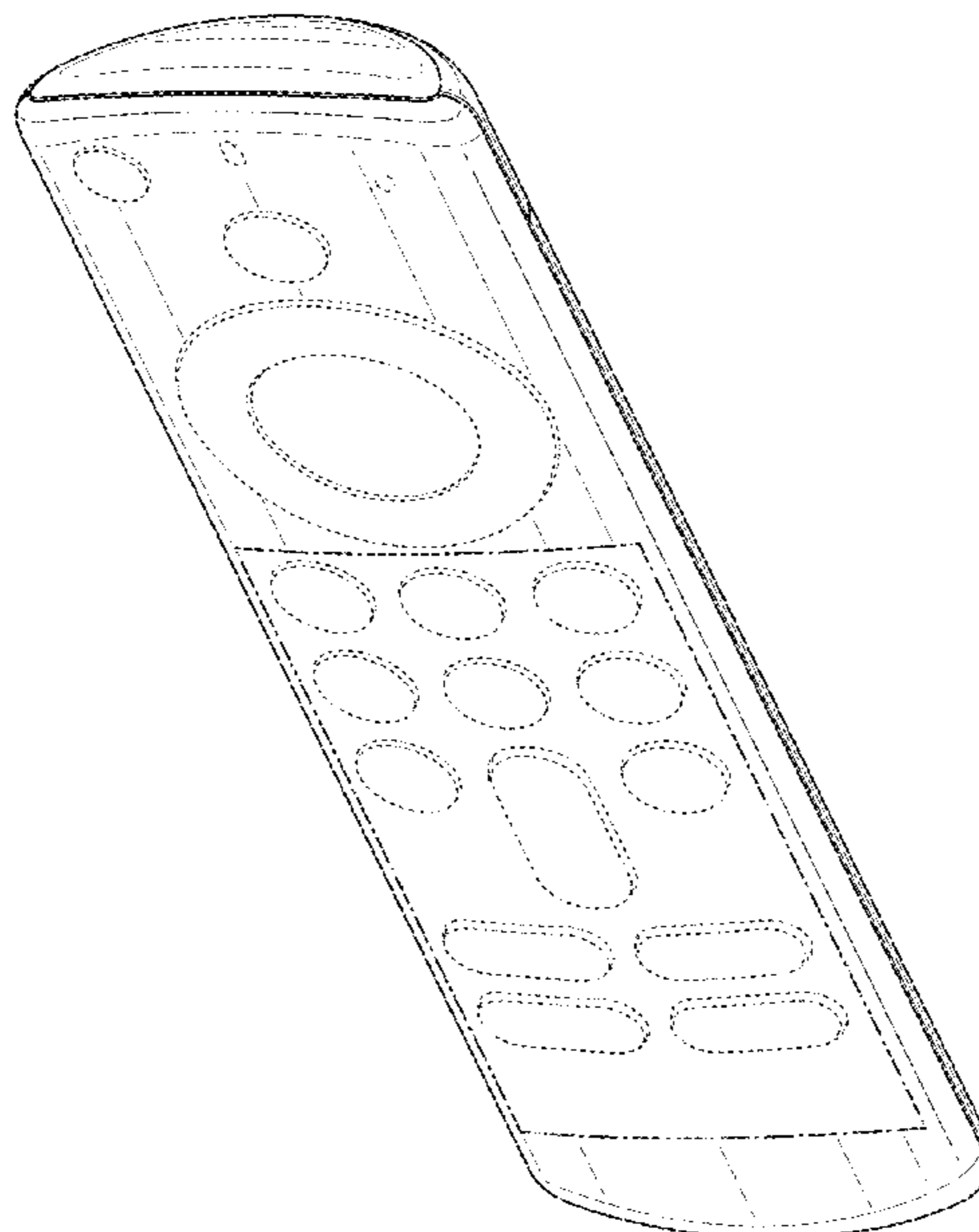
FIG. 1 is a top, front perspective view of a remote control; FIG. 2 is a bottom, back perspective view thereof; FIG. 3 is a front view thereof; FIG. 4 is a back view thereof; FIG. 5 is a left-side view thereof; FIG. 6 is a right-side view thereof; FIG. 7 is a top view thereof; and, FIG. 8 is a bottom view thereof. The dashed broken lines depict portions of the remote control that form no part of the claimed design. The dot-dashed broken lines represent boundaries of the claimed remote control and form no part of the claimed design.

(56) **References Cited**

U.S. PATENT DOCUMENTS

D298,941 S 12/1988 Ennio  
D314,384 S 2/1991 Hafner  
D366,042 S 1/1996 Laituri  
D450,662 S 11/2001 Kwok  
D477,590 S 7/2003 Ahn  
D503,687 S 4/2005 Hoffman  
D520,495 S 5/2006 Dukerschein et al.  
D529,872 S \* 10/2006 Weitgasser ..... D13/168  
D531,585 S \* 11/2006 Weitgasser ..... D13/168  
D531,964 S 11/2006 Peh

**1 Claim, 8 Drawing Sheets**



(56)

References Cited

U.S. PATENT DOCUMENTS

D568,299 S 5/2008 Tuli  
 D568,827 S 5/2008 Ikeda et al.  
 D573,957 S 7/2008 Ledbetter et al.  
 D584,718 S 1/2009 Moller et al.  
 D597,082 S 7/2009 Bang et al.  
 D607,846 S 1/2010 Daniels  
 D611,432 S \* 3/2010 Ducret ..... D13/168  
 D611,456 S 3/2010 Lin  
 D618,216 S 6/2010 Constin et al.  
 D618,628 S 6/2010 Giugiaro  
 D618,660 S \* 6/2010 Whang ..... D14/167  
 D620,456 S 7/2010 Akana et al.  
 D622,703 S 8/2010 Cheng Teh et al.  
 D625,693 S 10/2010 Charleux  
 D628,985 S 12/2010 VanDuyn et al.  
 D630,193 S \* 1/2011 Bennett ..... D14/167  
 D633,478 S 3/2011 Bolton  
 D645,848 S 9/2011 Arnholt et al.  
 D654,476 S 2/2012 Weitgasser  
 D654,477 S 2/2012 Weitgasser  
 D661,688 S 6/2012 Weitgasser  
 D661,689 S 6/2012 Weitgasser  
 D661,690 S 6/2012 Weitgasser  
 D661,691 S 6/2012 Weitgasser  
 D663,721 S 7/2012 McManigal et al.  
 D664,945 S 8/2012 Morris et al.  
 D669,885 S 10/2012 Kim et al.  
 D672,321 S 12/2012 Park et al.  
 D691,987 S 10/2013 Peh  
 D695,272 S 12/2013 Hansen et al.  
 D697,056 S 1/2014 McManigal  
 D697,499 S 1/2014 McManigal  
 D699,223 S 2/2014 Maier et al.  
 8,646,019 B2 2/2014 O'Donnell et al.  
 D703,188 S 4/2014 Maier et al.  
 D703,190 S 4/2014 Zaslavsky et al.  
 D704,167 S 5/2014 Akana et al.  
 D714,740 S 10/2014 Corsini et al.  
 D714,761 S 10/2014 O'Neil  
 D720,725 S 1/2015 Peh  
 D726,692 S 4/2015 Peh  
 D728,529 S \* 5/2015 Seflic ..... D14/218  
 D735,195 S 7/2015 Yakel  
 D735,718 S 8/2015 Pang et al.  
 D743,915 S \* 11/2015 Sakai ..... D13/168  
 D743,944 S 11/2015 Karrman  
 D752,025 S 3/2016 Akana et al.  
 D752,555 S \* 3/2016 Langhammer ..... D14/218  
 D756,969 S \* 5/2016 Kim ..... D14/218  
 D760,199 S 6/2016 Bu et al.  
 D763,830 S \* 8/2016 Jones ..... D14/218  
 9,503,560 B1 \* 11/2016 Frakes ..... H04W 4/80  
 D777,143 S \* 1/2017 Moresco ..... D14/218  
 D778,266 S \* 2/2017 Maier ..... D14/218  
 9,589,457 B1 \* 3/2017 Wengreen ..... G08C 17/02  
 D788,017 S 5/2017 Smallhorn  
 D795,842 S \* 8/2017 Cha ..... D14/218  
 D801,311 S 10/2017 Akana et al.  
 D811,373 S \* 2/2018 Lee ..... D14/218  
 D826,937 S 8/2018 Ruegg et al.  
 D828,336 S \* 9/2018 Matvienko ..... D14/218  
 D835,074 S 12/2018 Cheng  
 D836,613 S 12/2018 Lu  
 D837,747 S 1/2019 Lee et al.  
 D851,631 S 6/2019 Einaudi et al.  
 D856,332 S 8/2019 Ruegg et al.  
 D858,486 S \* 9/2019 Biddle ..... D14/218  
 D866,527 S 11/2019 Maier et al.  
 D873,245 S 1/2020 Russo et al.  
 D873,804 S 1/2020 Garcia et al.  
 D874,439 S 2/2020 Gong et al.  
 D880,456 S \* 4/2020 Russo ..... D14/218  
 D901,451 S \* 11/2020 Biddle ..... D14/218  
 D901,452 S 11/2020 Maier  
 D902,180 S 11/2020 Shigeta et al.

D902,889 S \* 11/2020 Tu ..... D14/218  
 D914,643 S \* 3/2021 Liu ..... D14/218  
 D929,879 S \* 9/2021 Paschke ..... D10/70  
 D930,972 S 9/2021 Hayman et al.  
 D934,816 S \* 11/2021 Chen ..... D13/168  
 D938,397 S \* 12/2021 Biddle ..... D14/218  
 D945,984 S \* 3/2022 Huang ..... D14/218  
 D945,985 S \* 3/2022 Zheng ..... D14/218  
 D948,480 S \* 4/2022 Yang ..... D14/218  
 D949,129 S \* 4/2022 Biddle ..... D14/218  
 D951,233 S \* 5/2022 Zhu ..... D14/218  
 D953,326 S \* 5/2022 Zhang ..... D14/348  
 2005/0024321 A1 2/2005 Tsai  
 2006/0007306 A1 1/2006 Masters et al.  
 2009/0115723 A1 5/2009 Henty  
 2010/0035668 A1 2/2010 Lee  
 2011/0051016 A1 3/2011 Malode  
 2011/0102230 A1 5/2011 Vergis et al.  
 2016/0086483 A1 3/2016 Hong et al.  
 2017/0076589 A1 \* 3/2017 Wengreen ..... G08C 17/02  
 2017/0213448 A1 \* 7/2017 Matvienko ..... G08C 17/02  
 2017/0268542 A1 \* 9/2017 Epstein ..... F16B 2/08  
 2017/0332031 A1 11/2017 Park  
 2018/0173326 A1 6/2018 Mathias et al.

FOREIGN PATENT DOCUMENTS

CN 304772469 8/2018  
 CN 306777816 4/2021  
 GB 6091904 \* 2/2020  
 IN 2619180001 5/2015  
 IN 335808-001-0001 \* 3/2021  
 IN 32572-001-0001 \* 6/2021  
 KR 301152467.0000 \* 3/2022  
 WO D207717-010 5/2020  
 WO D216019-001 \* 9/2021  
 WO D216544-001 \* 10/2021  
 WO D220250-005 \* 4/2022

OTHER PUBLICATIONS

Vtinvan Store, Universal Remote-Control Replacement . . . , available at amazon.com, date first available May 25, 2021, site visited Nov. 20, 2021, Available at URL: [https://www.amazon.com/dp/B095RBGR83/ref=cm\\_sw\\_em\\_r\\_mt\\_dp\\_KQQ4B86K530293G9Y2W3](https://www.amazon.com/dp/B095RBGR83/ref=cm_sw_em_r_mt_dp_KQQ4B86K530293G9Y2W3) (Year: 2021).\*

OMAIC Store, Universal Remote Control . . . , available at amazon.com, date first available Dec. 3, 2020, site visited Nov. 20, 2021, Available at URL: [https://www.amazon.com/dp/B08PK7Tbfd/ref=cm\\_sw\\_em\\_r\\_mt\\_dp\\_P5PHA1TCK392A9574YW6](https://www.amazon.com/dp/B08PK7Tbfd/ref=cm_sw_em_r_mt_dp_P5PHA1TCK392A9574YW6) (Year: 2020).\*

Yamaha, VAF76400 Sound Bar Remote Control, available at replacementremotes.com, oldest review Apr. 29, 2019, site visited Nov. 20, 2021, Available at URL: <https://bit.ly/3CFg5D6> (Year: 2019).\*

Amazon, "Amazon Fire TV Stick 4K with Alexa Voice Remote, Streaming Media Player", Sep. 30, 2019, <<<https://www.amazon.com/Stick-Aiexa-Remote-streaming-player/dp/B079QHML21/ref=c>>>, 9 pages.

The Canadian Office Action dated Jun. 20, 2019 for Canadian Patent Application No. 183559, a counter part of U.S. Appl. No. 29/641,357, 2 pages.

The Chinese Office Action dated Apr. 28, 2019 for Chinese Patent Application No. 201830534613.2, a counterpart of U.S. Appl. No. 29/641,357, 1 page.

Geekbuying, "FM5S Wireless Mini Keyboard 2.4G Fly Air Mouse Remote Control", retrieved on Mar. 12, 2019 at <<<https://www.geekbuying.com/item/FM5S-Wireless-Mini-Keyboard-2-4G-Fly-Air-Mouse-Remote-Control-Black-374742.html>>>, Geekbuying, 2018, 5 pages.

The Indian Office Action dated Oct. 3, 2018 for Indian Patent Application No. 310098, a counterpart foreign patent application for the U.S. Appl. No. 29/641,357, 2 pages.

Non Final Office Action dated Oct. 4, 2019 for U.S. Appl. No. 29/697,362 "Remote Control" Biddle, 5 pages.



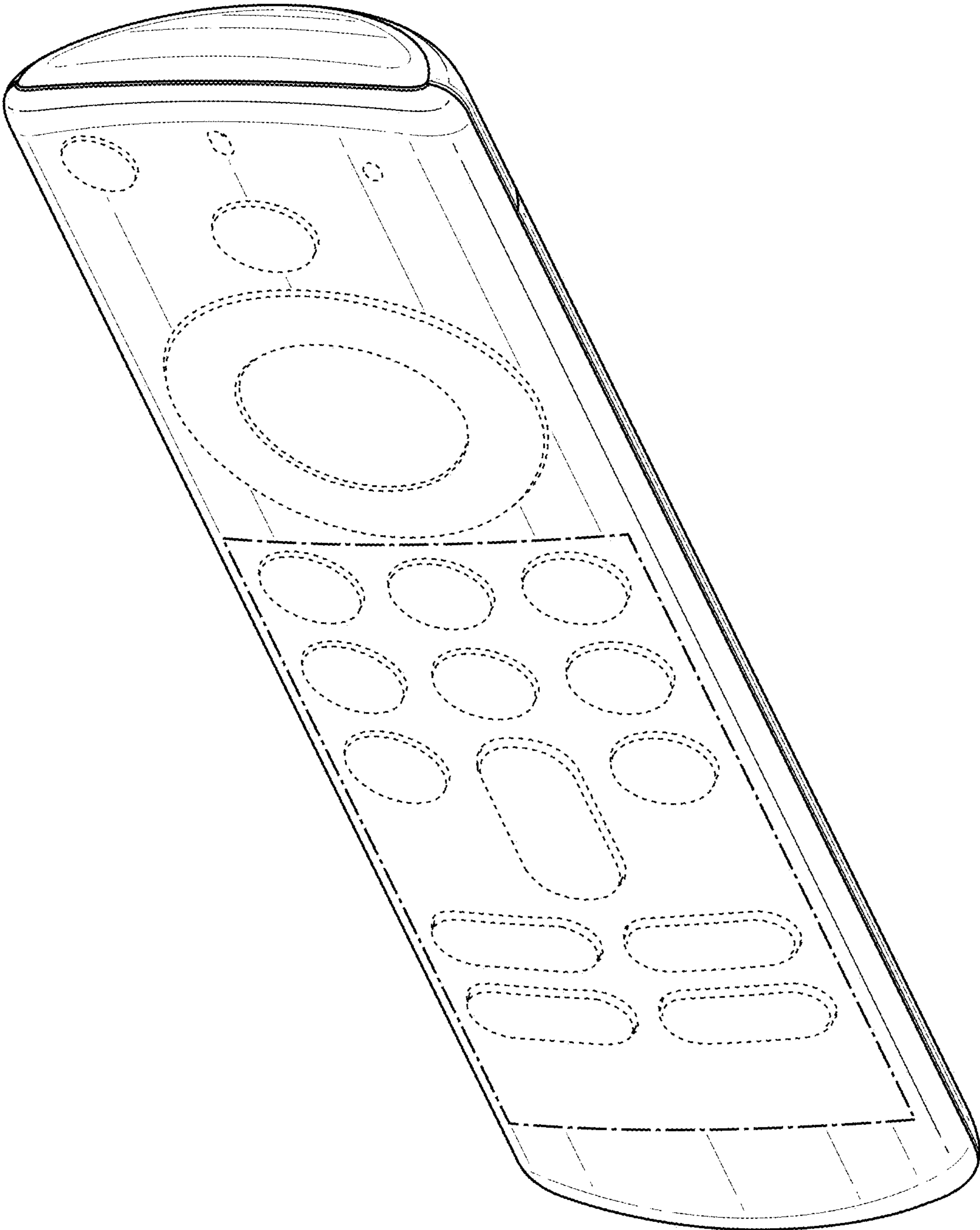
(56)

**References Cited**

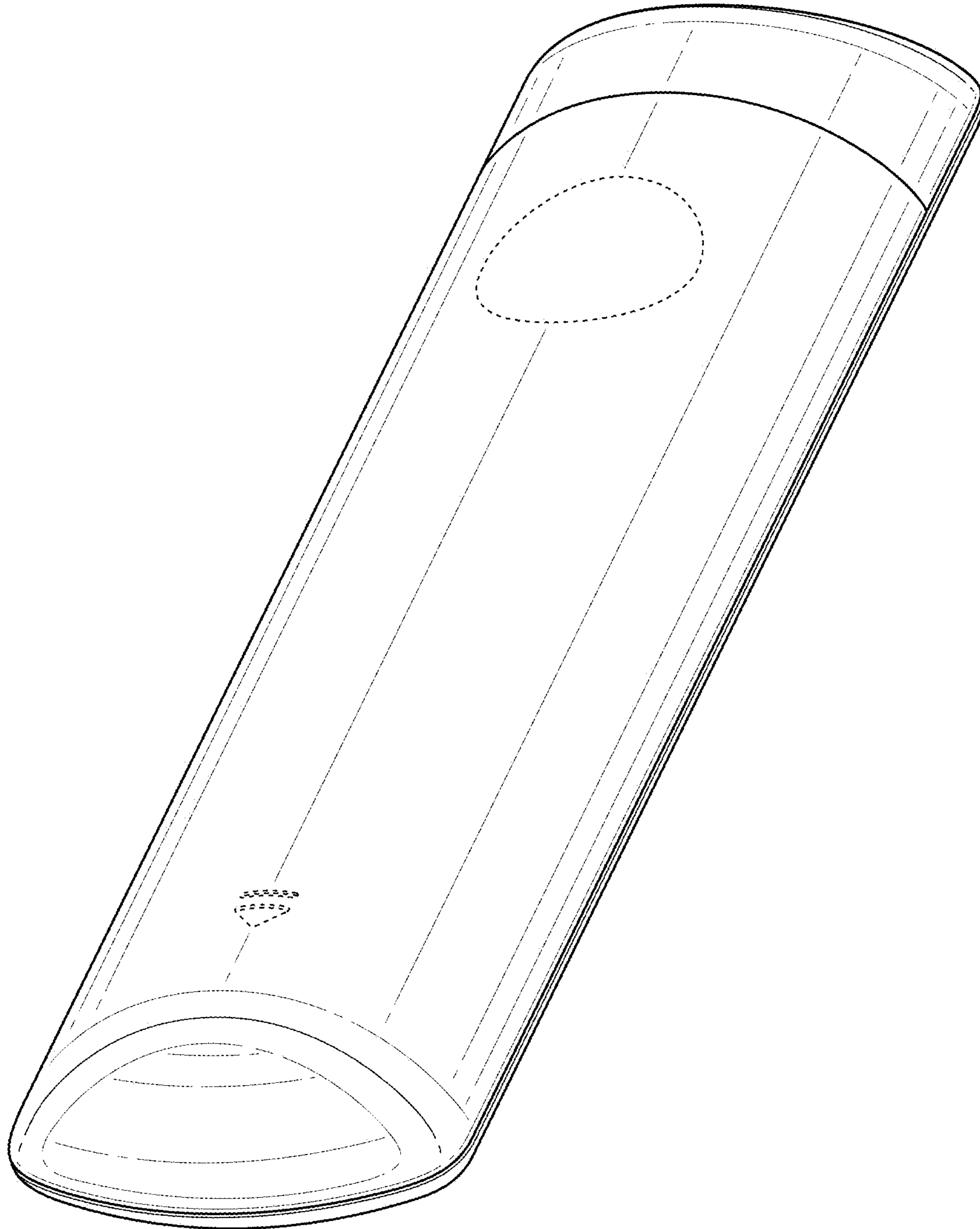
OTHER PUBLICATIONS

Techhive, "Best Universal Remotes", Techhive website, site visited Sep. 22, 2021, <https://www.techhive.com/article/3314747/best-universal-remote-control.html>.

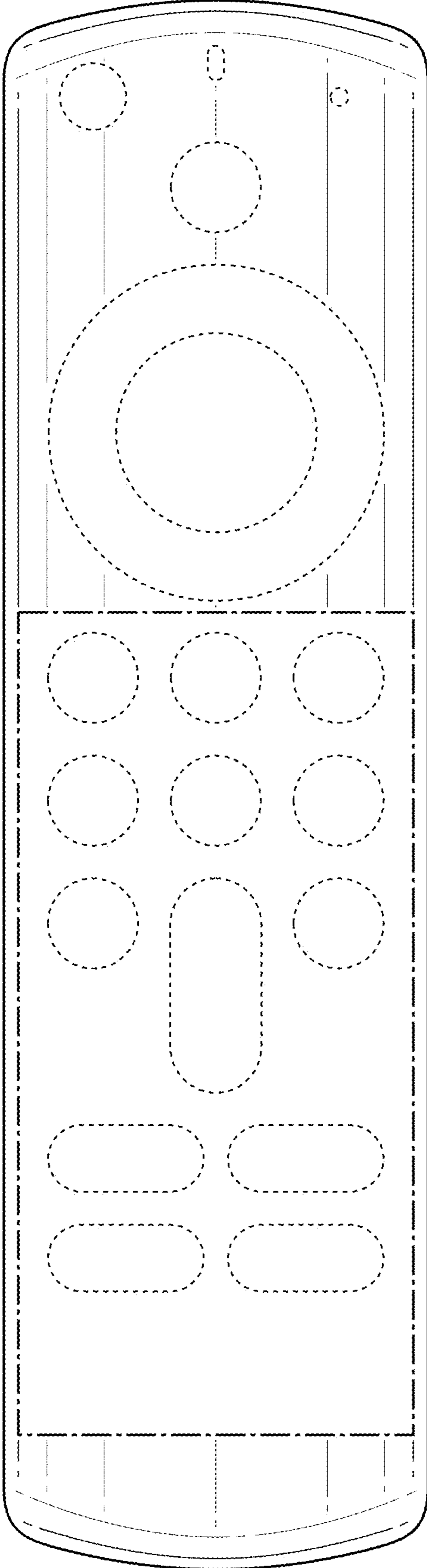
\* cited by examiner



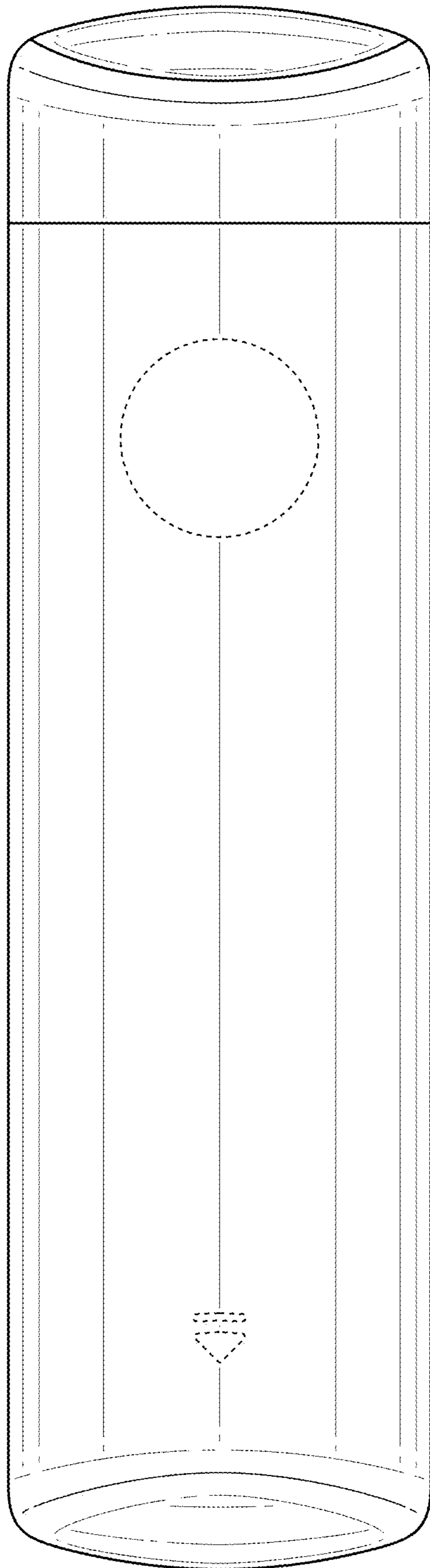
**FIG. 1**



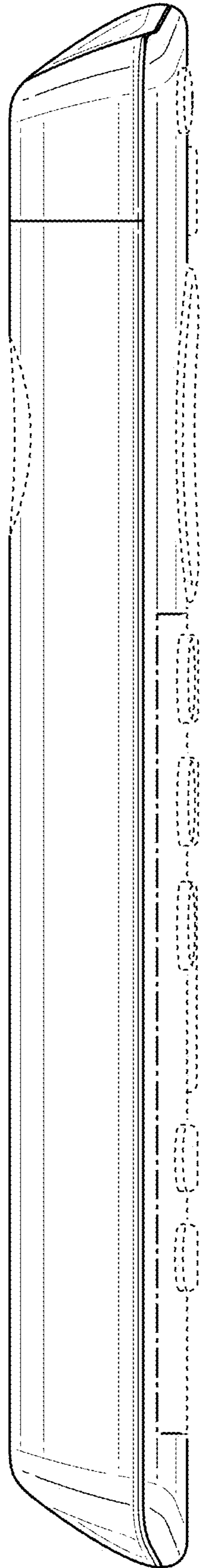
**FIG. 2**



**FIG. 3**

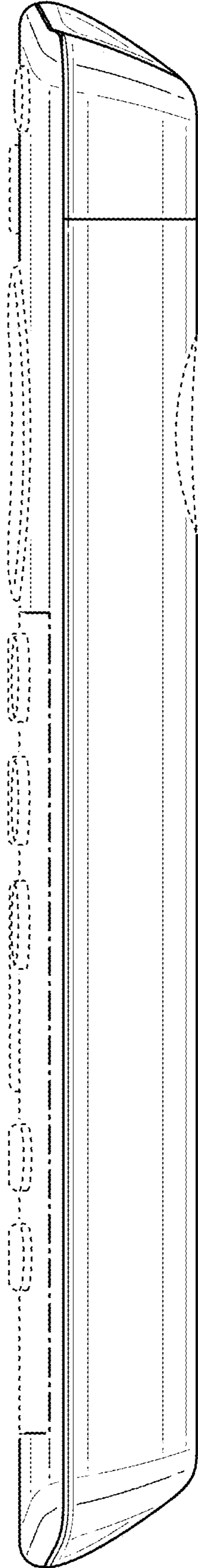


**FIG. 4**

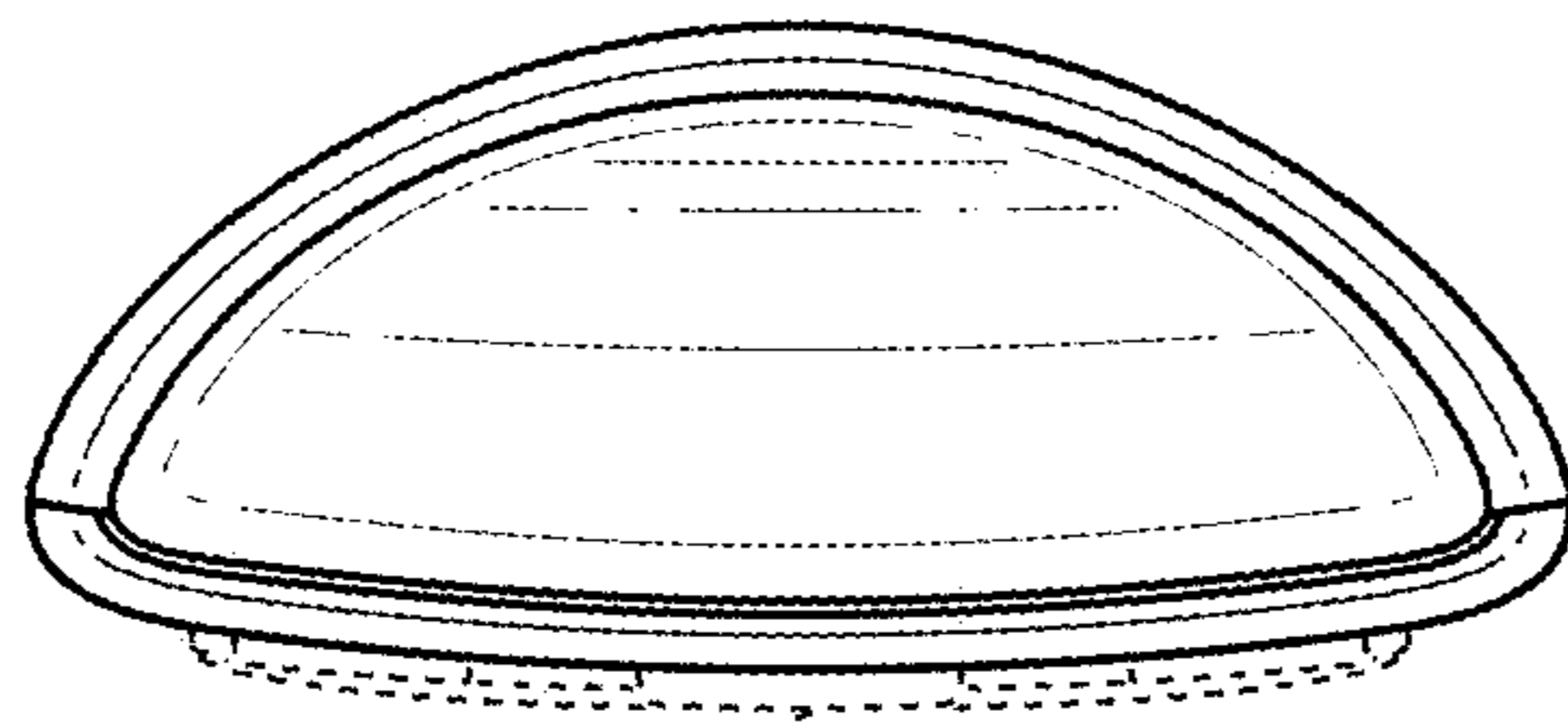


**FIG. 5**

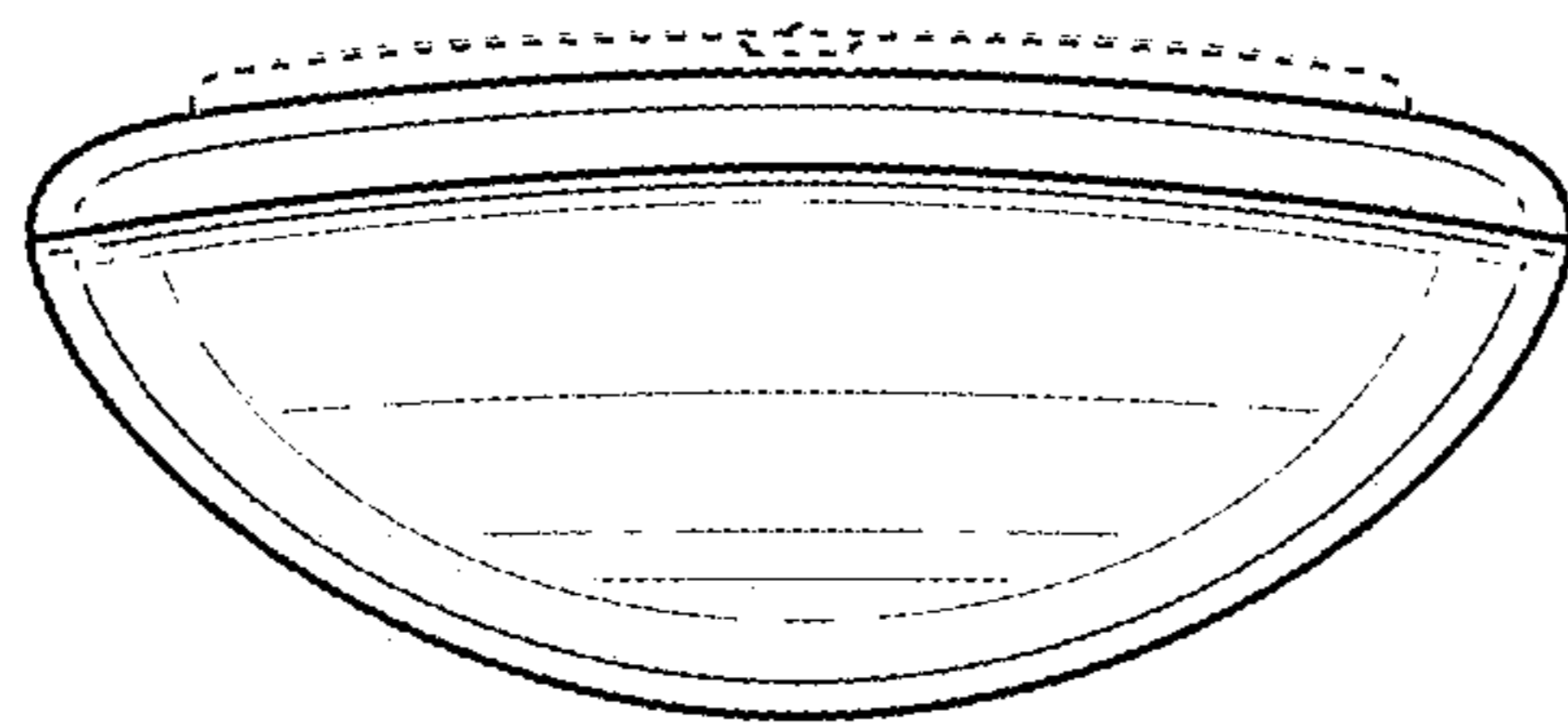




**FIG. 6**



**FIG. 7**



**FIG. 8**