

US00D969775S

(12) **United States Design Patent**
Hu

(10) **Patent No.:** **US D969,775 S**

(45) **Date of Patent:** **** Nov. 15, 2022**

(54) **HEADSET**

(71) Applicant: **Peilin Hu**, Guangzhou (CN)

(72) Inventor: **Peilin Hu**, Guangzhou (CN)

(73) Assignee: **Guangzhou actor Technology Co., Ltd**, Guangzhou (CN)

(**) Term: **15 Years**

(21) Appl. No.: **29/751,897**

(22) Filed: **Sep. 24, 2020**

(51) **LOC (13) Cl.** **14-01**

(52) **U.S. Cl.**
USPC **D14/206**

(58) **Field of Classification Search**
USPC D14/205, 206, 226; D29/112; 2/209;
381/380, 381, 374
CPC H04R 25/00; H04R 25/02; H04R 1/1066;
H04R 1/1016; H04R 5/033; H04R
5/0335; H04R 1/1083; H04R 1/1091;
H04R 1/1041
See application file for complete search history.

(56) **References Cited**

U.S. PATENT DOCUMENTS

- 5,691,515 A * 11/1997 Landis H04R 5/027
181/129
- D550,202 S * 9/2007 Meier D14/206
- D601,125 S * 9/2009 Komiyama D14/205
- D690,681 S * 10/2013 Ito D14/205
- D691,105 S * 10/2013 Ito D14/205
- D703,183 S * 4/2014 Moriya H04R 1/1008
D14/206
- D713,375 S * 9/2014 Dedinas D14/206
- D713,376 S * 9/2014 Dedinas D14/206
- D735,475 S * 8/2015 Romero Pedret D3/254
- D736,475 S * 8/2015 Fletcher D29/112
- D744,171 S * 11/2015 Rose D29/112
- D747,557 S * 1/2016 Bonney D29/112

- D753,884 S * 4/2016 Bonney D29/112
- D763,518 S * 8/2016 Fletcher D29/112
- D764,717 S * 8/2016 Fletcher D29/112
- D766,207 S * 9/2016 Paterson D14/205
- D766,208 S * 9/2016 Paterson D14/205
- D772,842 S * 11/2016 Sharp D14/205
- D789,615 S * 6/2017 Pratley D29/112
- D790,506 S * 6/2017 Broadley D14/206
- D805,257 S * 12/2017 Maansson D29/112
- D807,584 S * 1/2018 Fletcher D29/112
- D807,585 S * 1/2018 Fletcher D29/112
- D821,653 S * 6/2018 Pratley D29/112
- D830,642 S * 10/2018 Fletcher D29/112
- D848,396 S * 5/2019 Wilson A61F 11/14
D29/112
- D848,679 S * 5/2019 Wilson D29/112

(Continued)

FOREIGN PATENT DOCUMENTS

- CN 306230550 * 12/2020
- WO D221346-002 * 5/2022

Primary Examiner — Paula Allen Greene

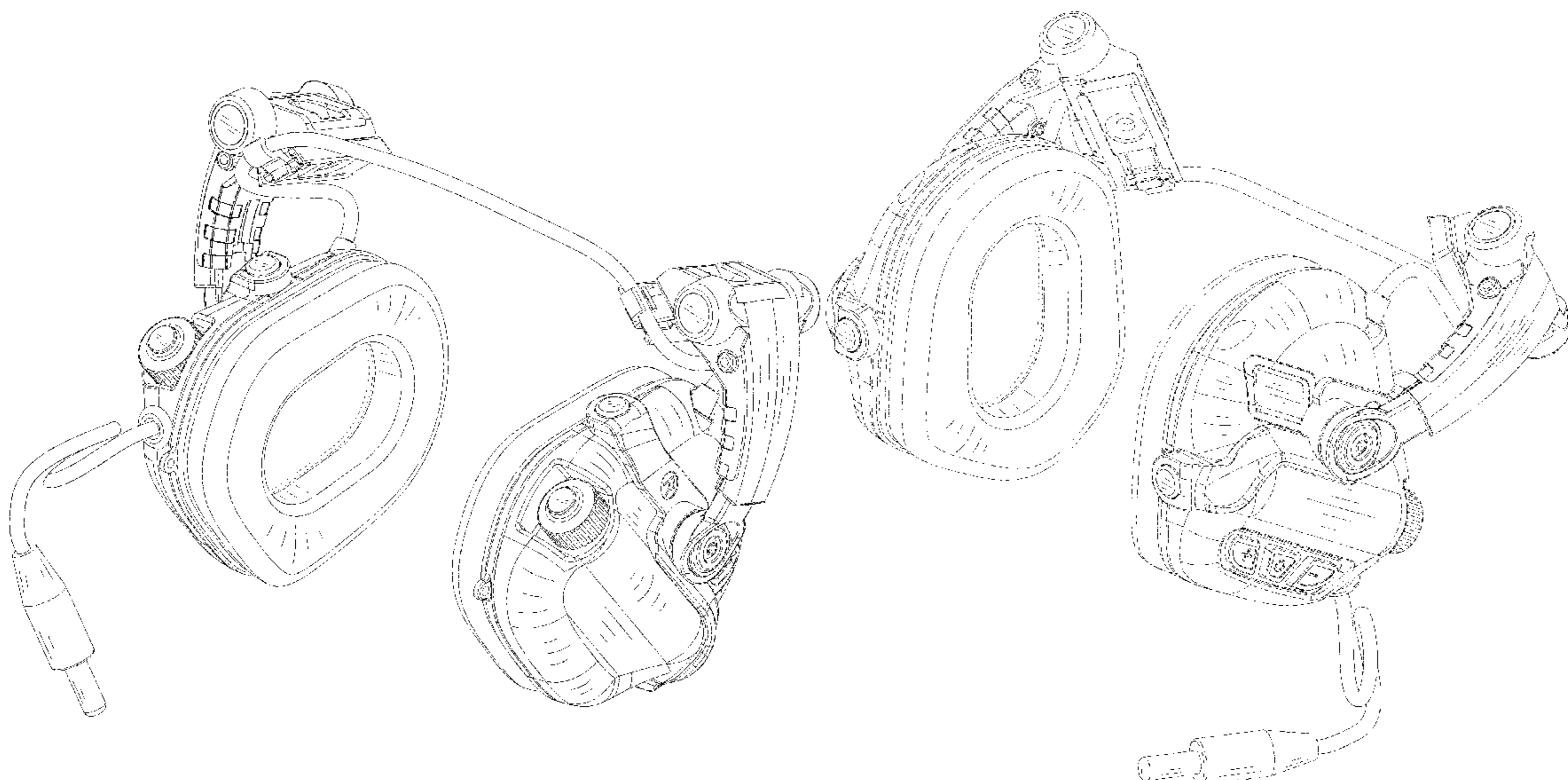
(57) **CLAIM**

The ornamental design for a headset, as shown and described.

DESCRIPTION

FIG. 1 is a front perspective view of a headset showing my new design;
 FIG. 2 is a rear perspective view thereof;
 FIG. 3 is a front elevational view thereof;
 FIG. 4 is a rear elevational view thereof;
 FIG. 5 is a left side elevational view thereof;
 FIG. 6 is a right side elevational view thereof;
 FIG. 7 is a top plan view thereof; and,
 FIG. 8 is a bottom plan view thereof.
 The broken lines depict portions of the headset that form no part of the claimed design.

1 Claim, 8 Drawing Sheets



(56)

References Cited

U.S. PATENT DOCUMENTS

D851,839	S	*	6/2019	Scanlon	D29/112
D857,656	S	*	8/2019	Ipsen	D14/206
D859,355	S	*	9/2019	Hu	D14/206
D864,901	S	*	10/2019	Barber	D14/205
D864,902	S	*	10/2019	Blundell	D14/205
D868,732	S	*	12/2019	Jaspers	D14/205
D897,608	S	*	9/2020	Wilson	D29/112
D921,992	S	*	6/2021	Hemeyer	D29/112
D941,799	S	*	1/2022	Hu	D14/205
2019/0314207	A1	*	10/2019	Bui	H04R 1/1075
2019/0342664	A1	*	11/2019	Payne	H04R 1/1008
2020/0396532	A1	*	12/2020	Bui	H04R 1/1083

* cited by examiner

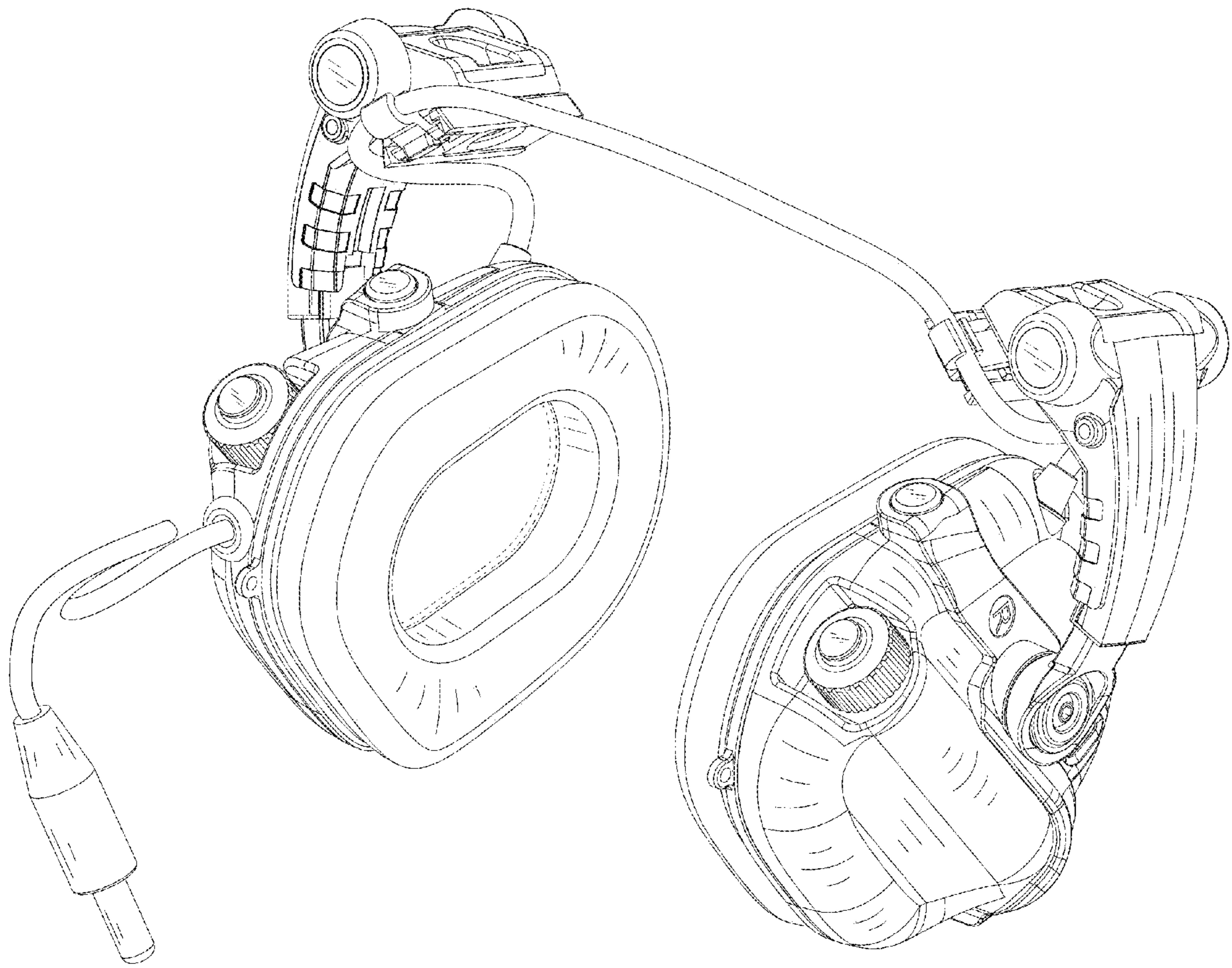


FIG. 1

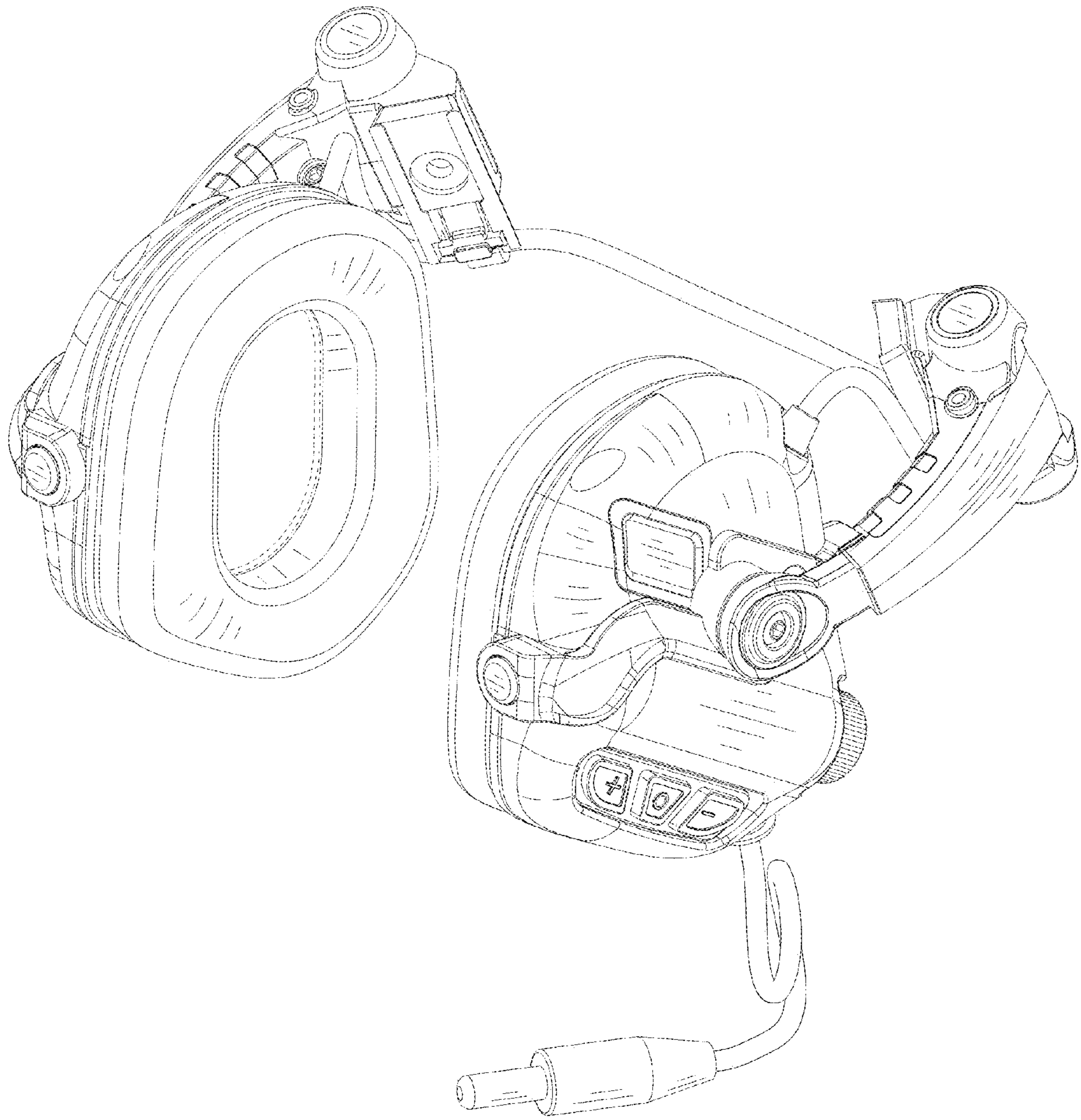


FIG. 2

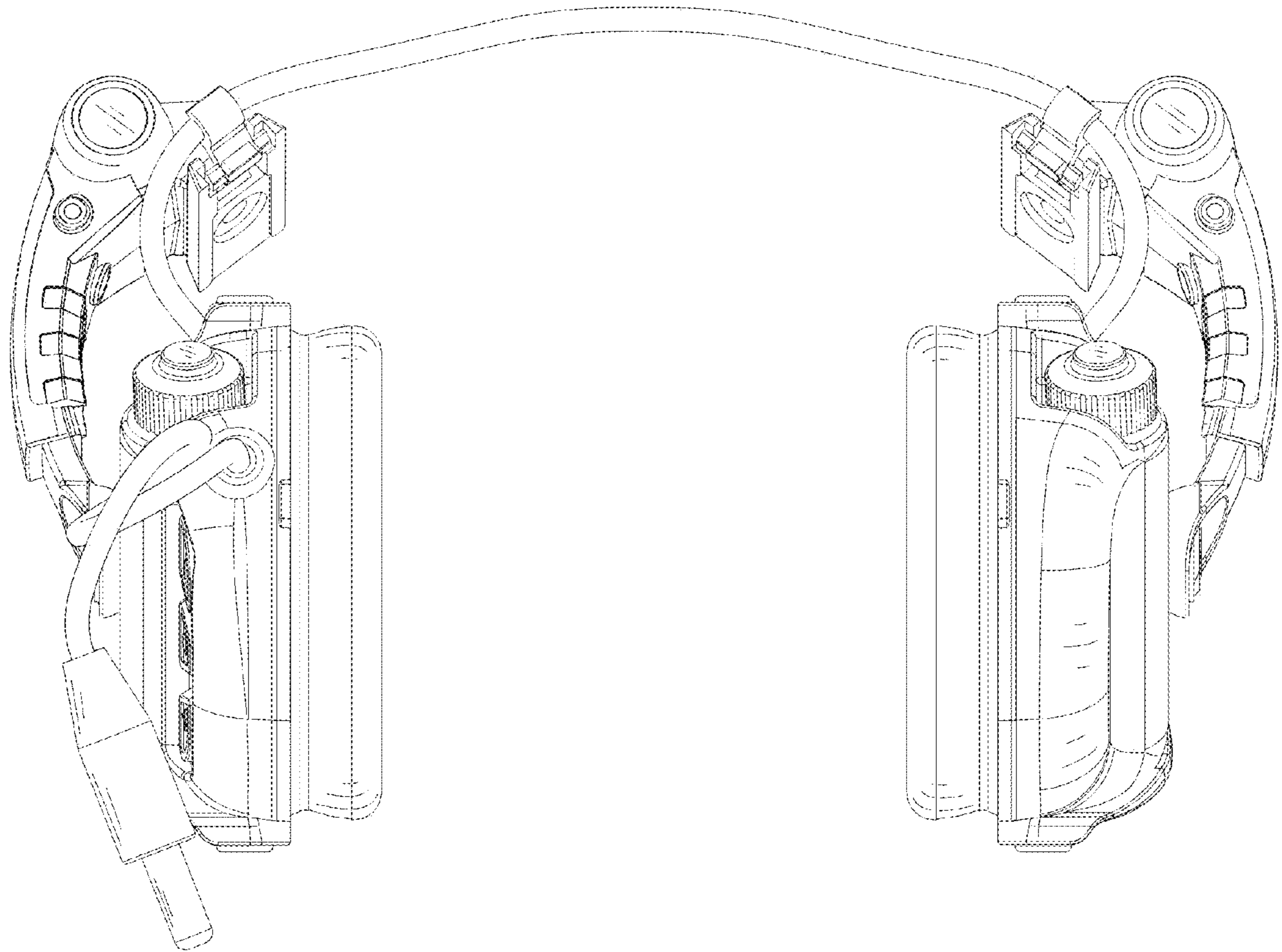


FIG. 3

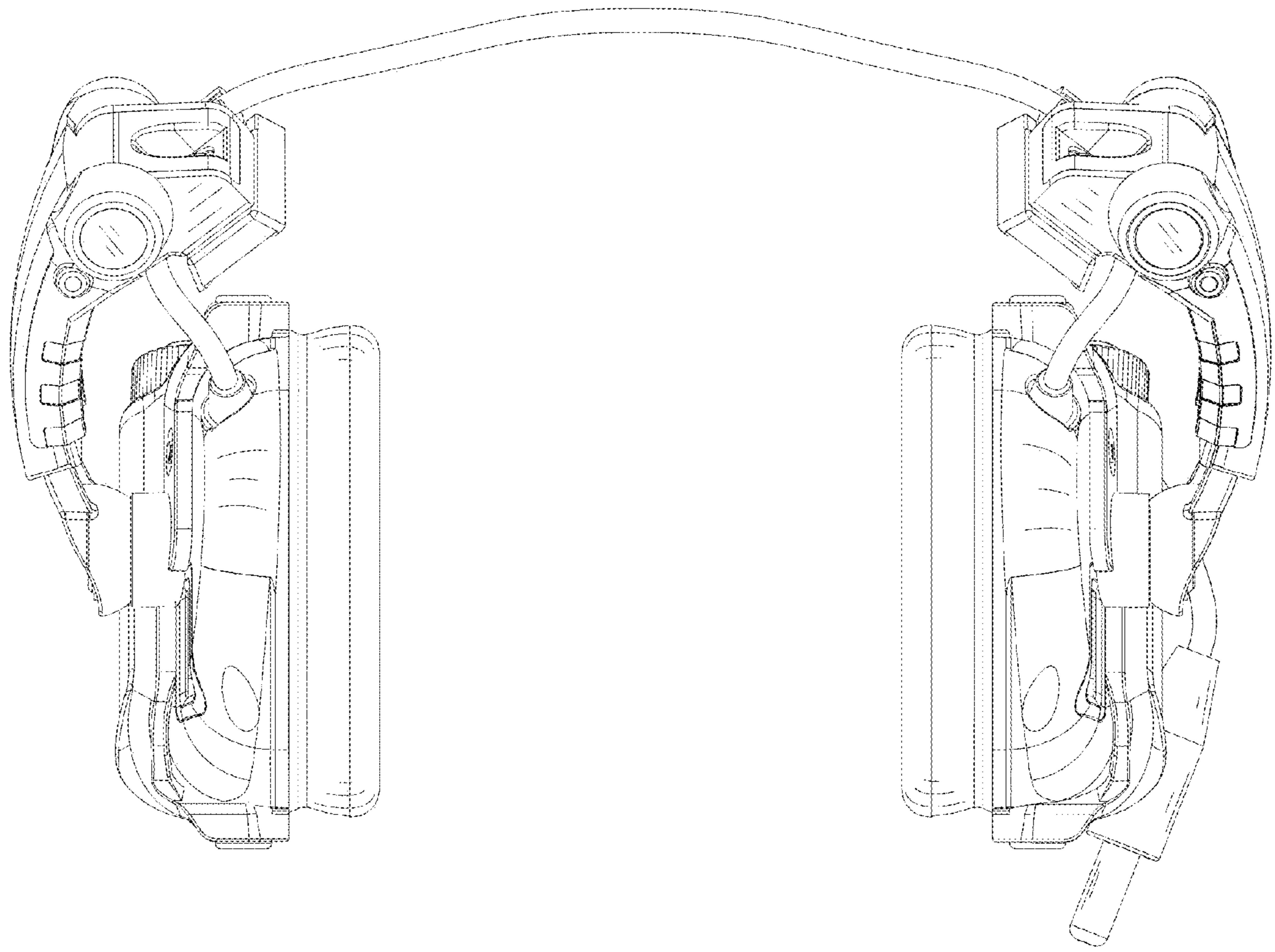


FIG. 4

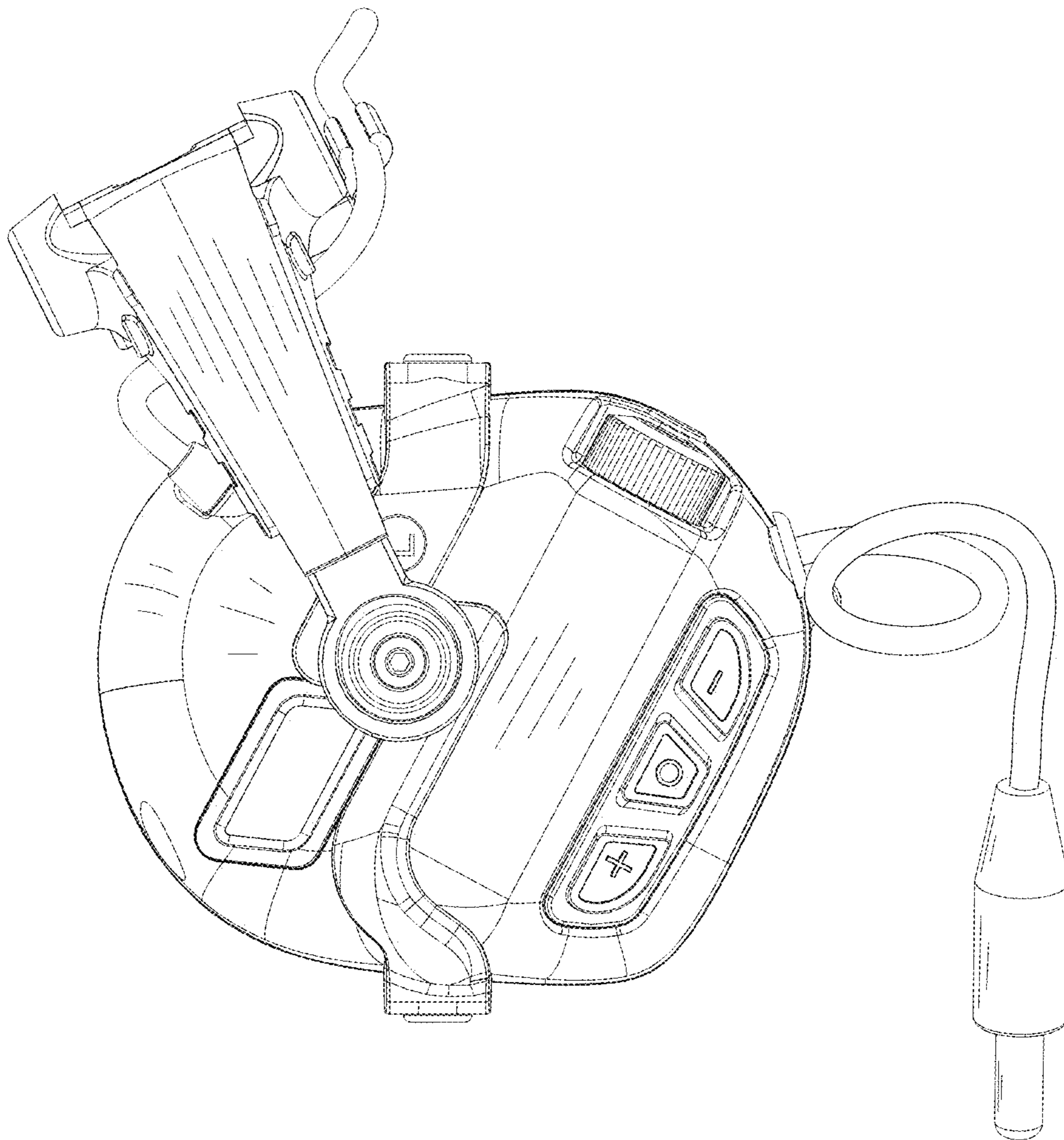


FIG. 5

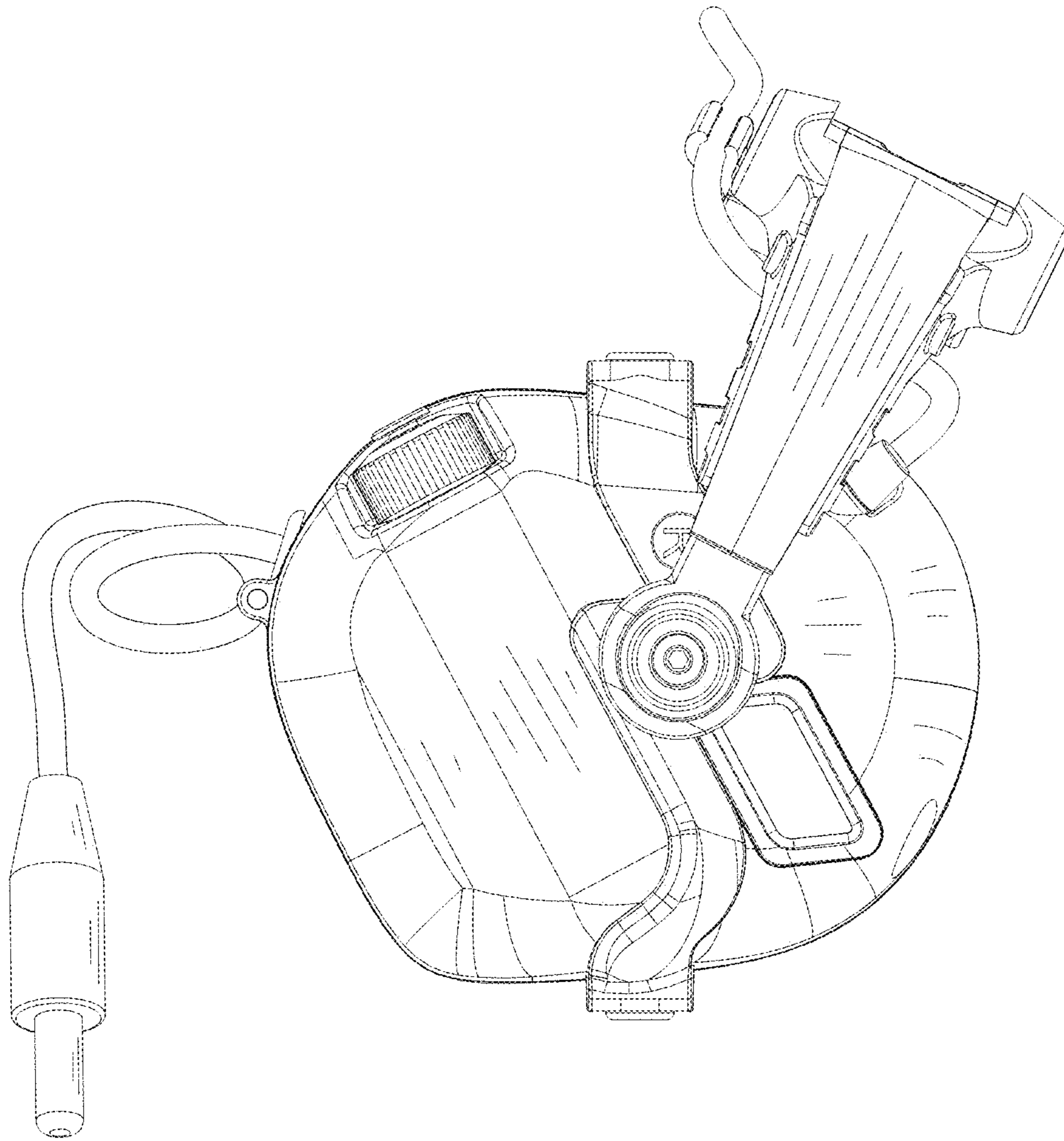


FIG. 6

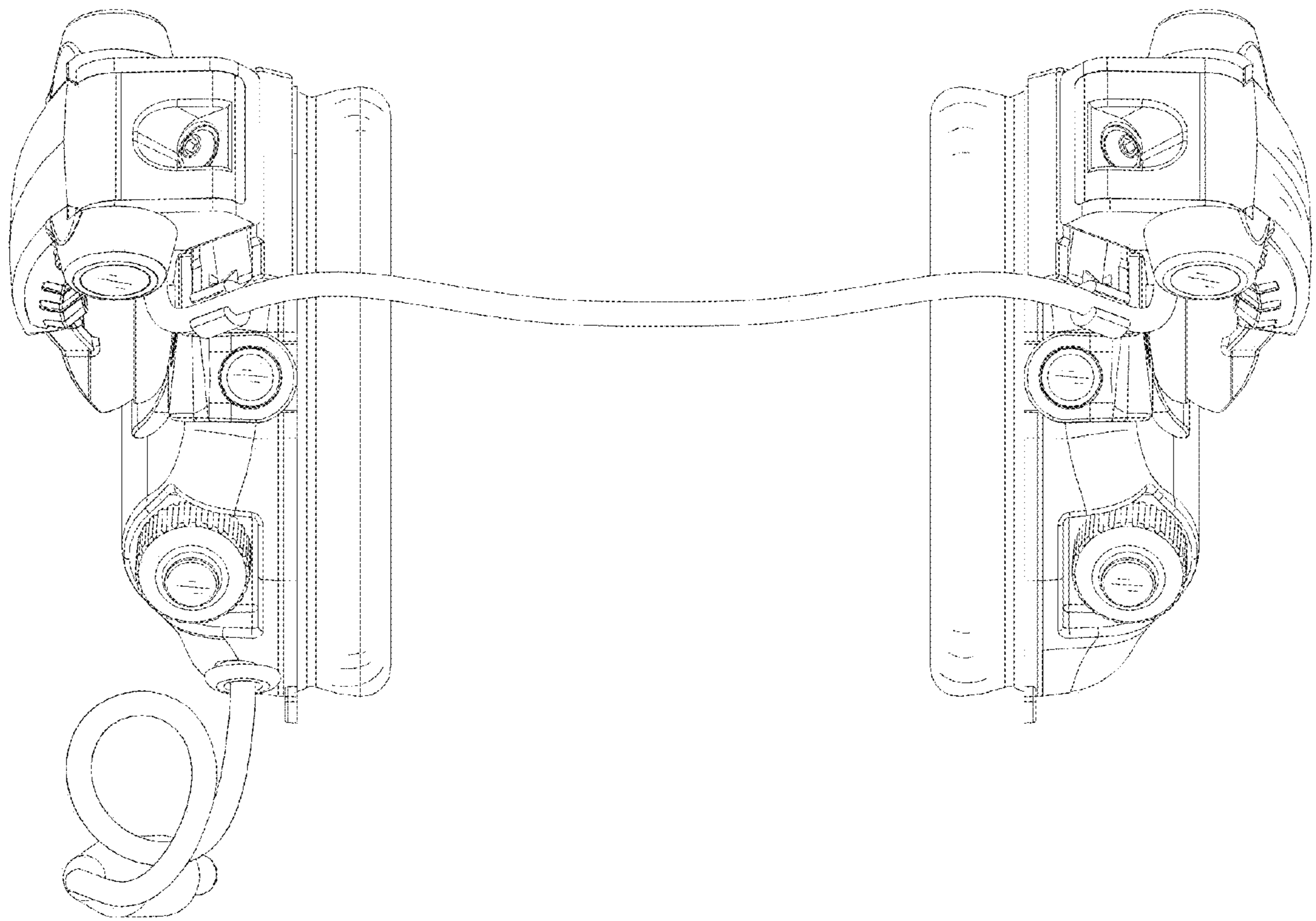


FIG. 7

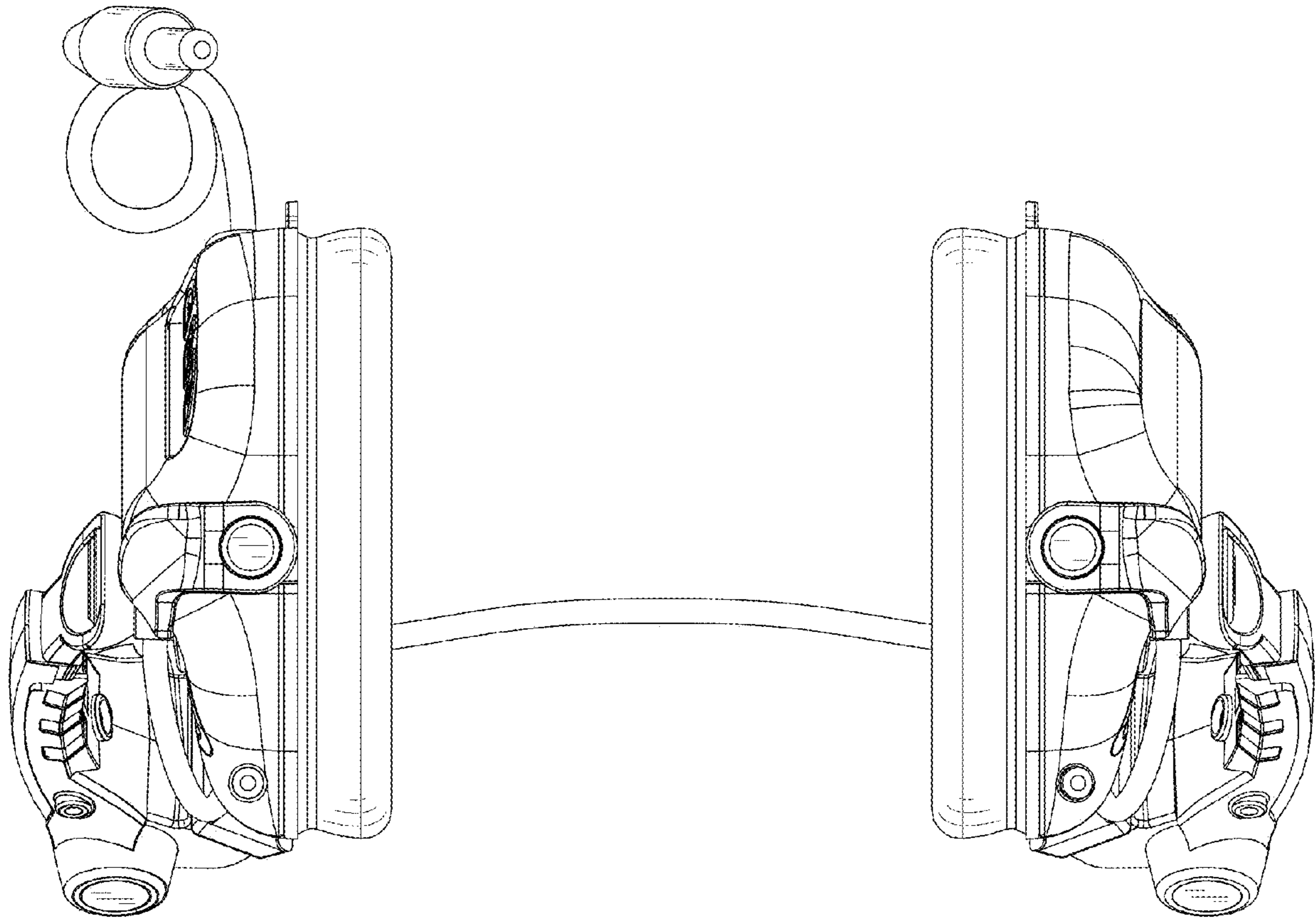


FIG. 8