



US00D969774S

(12) **United States Design Patent** (10) **Patent No.:** **US D969,774 S**
Bellham et al. (45) **Date of Patent:** **** Nov. 15, 2022**

(54) **HEADPHONES**
(71) Applicant: **GN AUDIO A/S**, Ballerup (DK)
(72) Inventors: **Philip Bellham**, Ballerup (DK);
Rasmus Trudslev Pedersen, Ballerup (DK); **Bill Zeng**, Ballerup (DK)
(73) Assignee: **GN AUDIO A/S**, Ballerup (DK)
(**) Term: **15 Years**
(21) Appl. No.: **29/829,441**
(22) Filed: **Mar. 4, 2022**

D328,299 S 7/1992 Gasparaitis et al.
D423,012 S 4/2000 Yasutomi
D510,335 S 10/2005 Suzuki
D549,688 S * 8/2007 Suzuki D14/205
D588,098 S * 3/2009 Kurihara D14/205
D603,370 S * 11/2009 Suzuki D14/205
D634,732 S * 3/2011 Kondo D14/205
D639,385 S 6/2011 Flowers et al.
8,139,807 B2 3/2012 Reiss et al.
D662,490 S 6/2012 McSweyn
D666,579 S 9/2012 Hou
8,295,529 B2 * 10/2012 Petersen H04R 1/083
381/374
D673,521 S 1/2013 Yoneyama
(Continued)

Related U.S. Application Data

(63) Continuation of application No. 29/738,531, filed on Jun. 18, 2020, now Pat. No. Des. 952,599.

Foreign Application Priority Data

Dec. 19, 2019 (EM) 007433701-1-5
(51) **LOC (13) Cl.** **14-01**
(52) **U.S. Cl.**
USPC **D14/205**
(58) **Field of Classification Search**
USPC D14/205, 206; D29/112; 2/209;
381/380-381, 370, 374
CPC H04R 25/00; H04R 25/02; H04R 1/08;
H04R 1/10; H04R 1/1066; H04R 1/1016;
H04R 1/1083; H04R 1/105; H04R 5/033;
H04R 5/0335; H04R 1/1091
See application file for complete search history.

References Cited

U.S. PATENT DOCUMENTS

1,918,087 A 7/1933 Donley
4,993,074 A 2/1991 Carroll

FOREIGN PATENT DOCUMENTS

CN 305912553 7/2020
CN 306297360 1/2021

(Continued)

Primary Examiner — Paula Allen Greene
(74) *Attorney, Agent, or Firm* — Hamre, Schumann,
Mueller & Larson, P.C.

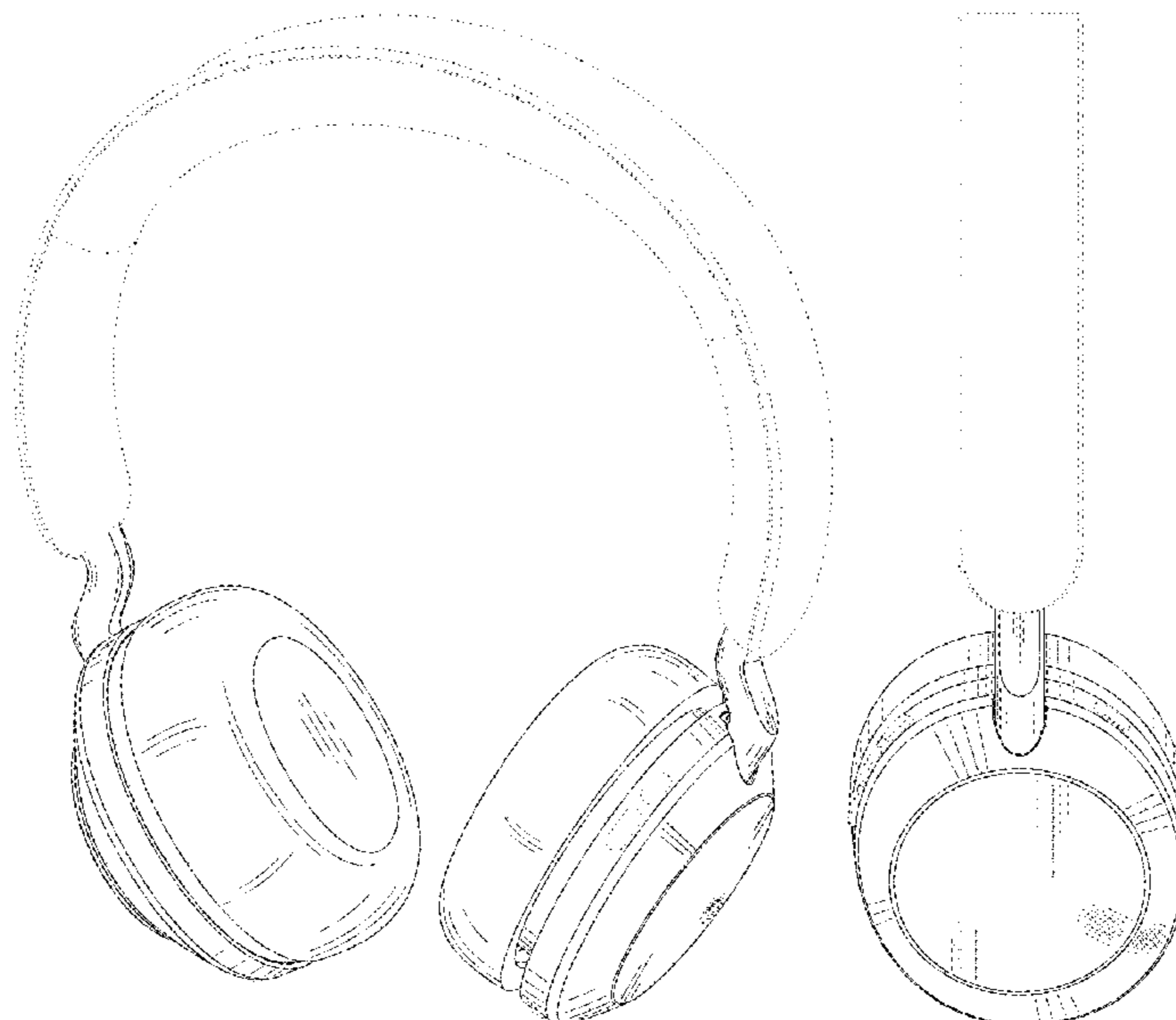
CLAIM

(57) The ornamental design for a headphones, as shown and described.

DESCRIPTION

FIG. 1 is a perspective front view of the headphones.
FIG. 2 is a perspective front view thereof.
FIG. 3 is a front view thereof.
FIG. 4 is a rear view thereof.
FIG. 5 is a right view thereof.
FIG. 6 is a left view thereof.
FIG. 7 is a top view thereof; and,
FIG. 8 is a bottom view thereof.
The features shown in broken lines depict environmental subject matter only and form no part of the claimed design.

1 Claim, 7 Drawing Sheets



(56)

References Cited

U.S. PATENT DOCUMENTS

D678,860 S 3/2013 Hagelin
 D690,284 S 9/2013 Brennwald
 D697,048 S 1/2014 Pavitsich
 D699,702 S 2/2014 Chen
 D708,163 S 7/2014 Ishikura
 8,879,768 B2 11/2014 Podoloff
 D719,548 S 12/2014 Thompson et al.
 D721,052 S 1/2015 Carr et al.
 D722,998 S * 2/2015 Sancho D14/205
 D728,512 S 5/2015 Nakagawa
 D733,090 S 6/2015 Petersen
 D735,161 S 7/2015 Sparks et al.
 D737,799 S 9/2015 Carr et al.
 D739,842 S * 9/2015 Birger D14/205
 D768,110 S * 10/2016 Suzuki D14/205
 D783,572 S 4/2017 Matthews
 D807,323 S 1/2018 Wang et al.
 D809,476 S 2/2018 Summerson et al.
 D810,046 S 2/2018 Dryden et al.
 10,003,876 B2 6/2018 Messingher
 10,015,580 B1 7/2018 Bruno
 D834,260 S 11/2018 Mansilla et al.
 10,129,631 B2 11/2018 Jetter
 D837,763 S 1/2019 Suzuki
 D840,370 S 2/2019 Kelly et al.
 D842,267 S * 3/2019 Pedersen D14/205
 D852,775 S 7/2019 Ando et al.
 D852,776 S 7/2019 Zhu et al.
 D852,777 S 7/2019 Park et al.
 D869,430 S 12/2019 Rama et al.

D870,069 S * 12/2019 Hu D14/206
 D884,677 S 5/2020 Feng
 D891,396 S 7/2020 Matthews
 D913,988 S 3/2021 Bellham
 D915,346 S 4/2021 Lorsold et al.
 D918,861 S 5/2021 Chen
 D920,955 S 6/2021 Shimada et al.
 D927,451 S * 8/2021 Paterson D14/206
 D928,114 S 8/2021 Terazaki
 D928,741 S 8/2021 Komiyama et al.
 D937,805 S * 12/2021 Bellham D14/205
 D944,765 S * 3/2022 Bellham D14/206
 D945,981 S * 3/2022 Rois D14/205
 D950,520 S * 5/2022 Yan D14/206
 D951,907 S * 5/2022 Bellham D14/206
 D952,599 S * 5/2022 Bellham D14/206
 D952,600 S * 5/2022 Bellham D14/206
 2008/0069391 A1 3/2008 Steyn et al.
 2011/0211723 A1 9/2011 Annunziato et al.
 2018/0048952 A1 2/2018 Hong et al.
 2020/0396532 A1 12/2020 Bui et al.
 2021/0377672 A1 12/2021 Grinnip et al.

FOREIGN PATENT DOCUMENTS

CN 306460546 4/2021
 CN 306662433 7/2021
 CN 306738278 8/2021
 EM 006884623-0001 * 9/2019
 EM 008634927-0001 7/2021
 GB 9008028526-0004 7/2020
 GB 6142504 * 6/2021

* cited by examiner



FIG. 1



FIG. 2

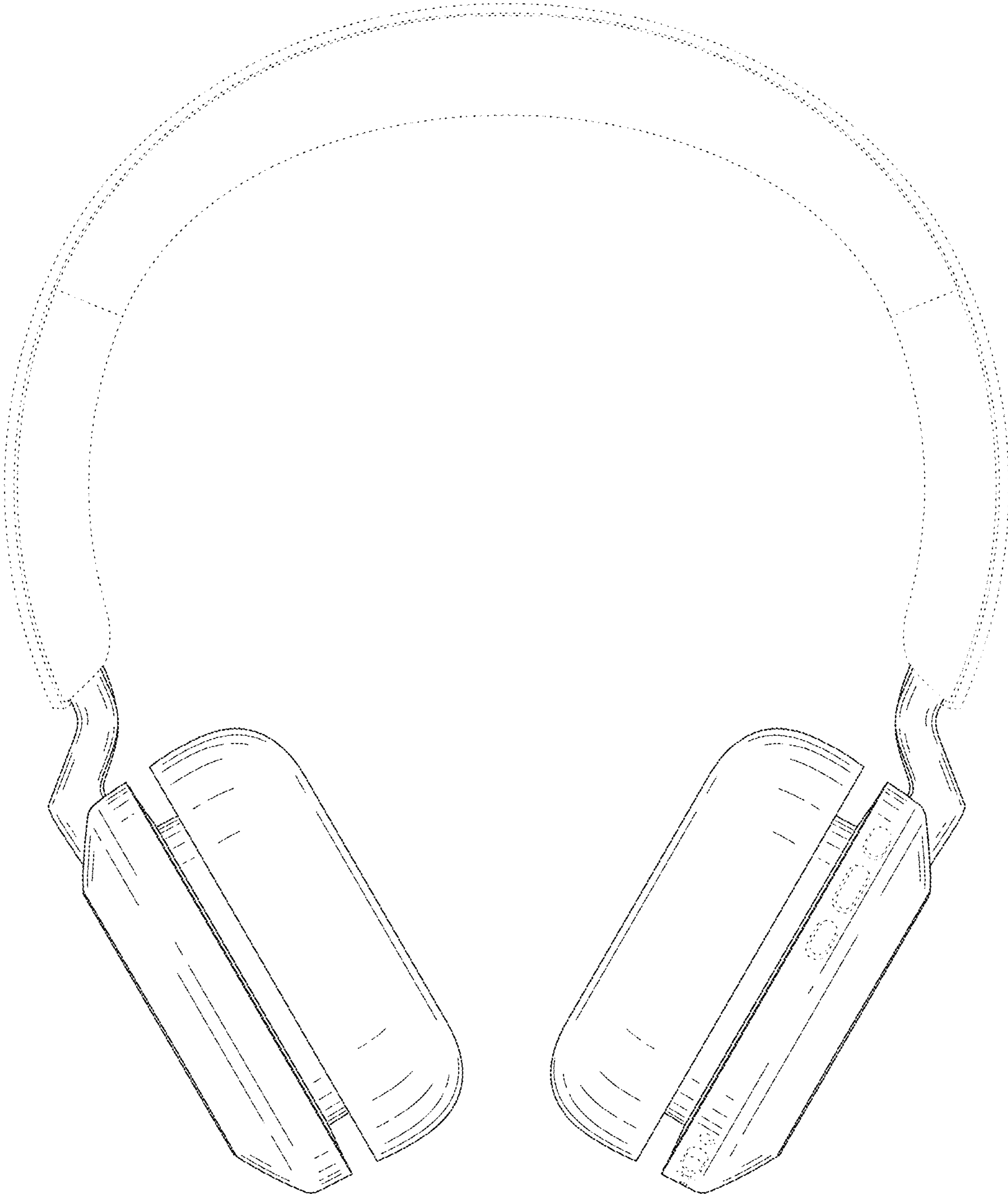


FIG. 3

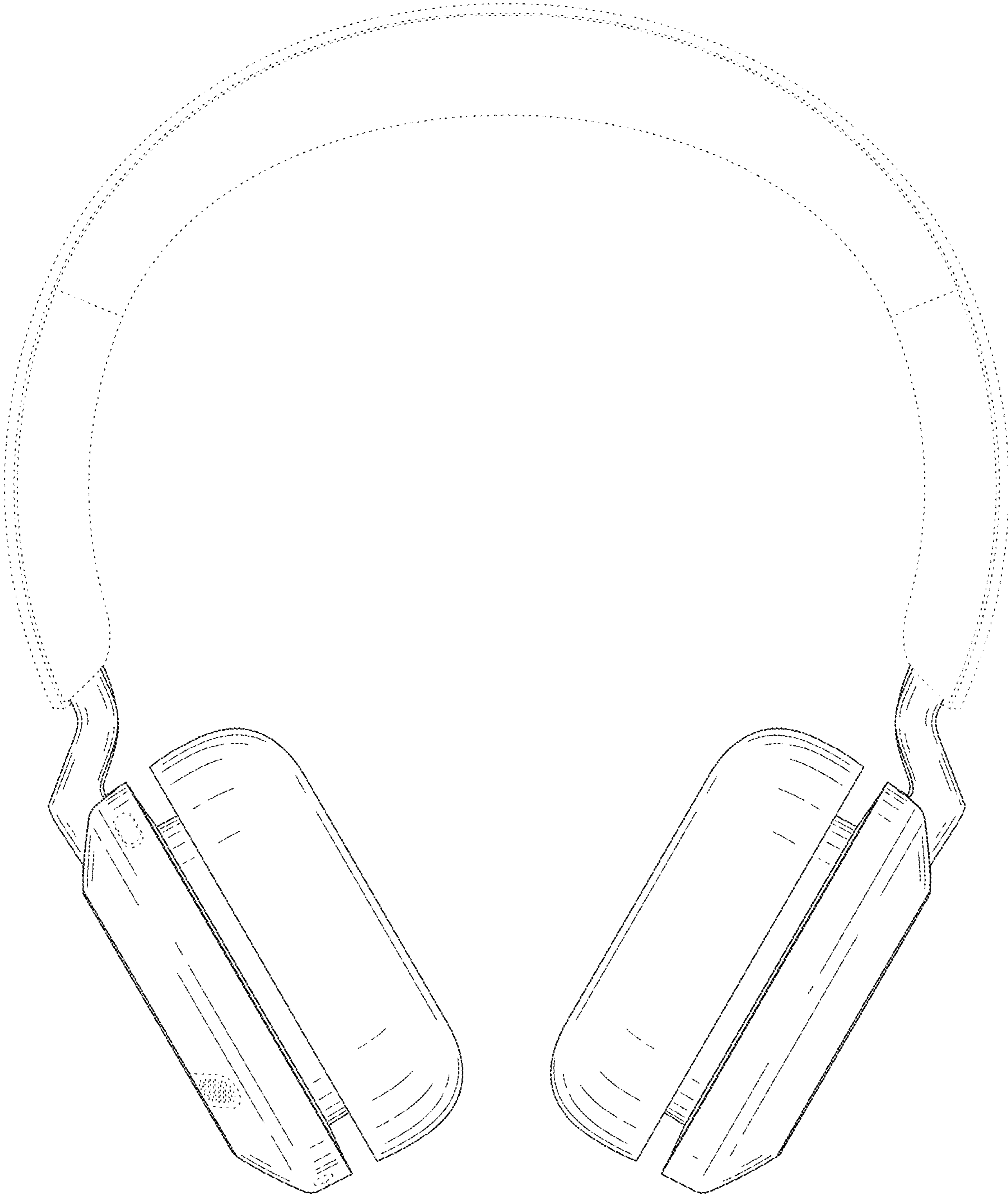


FIG. 4

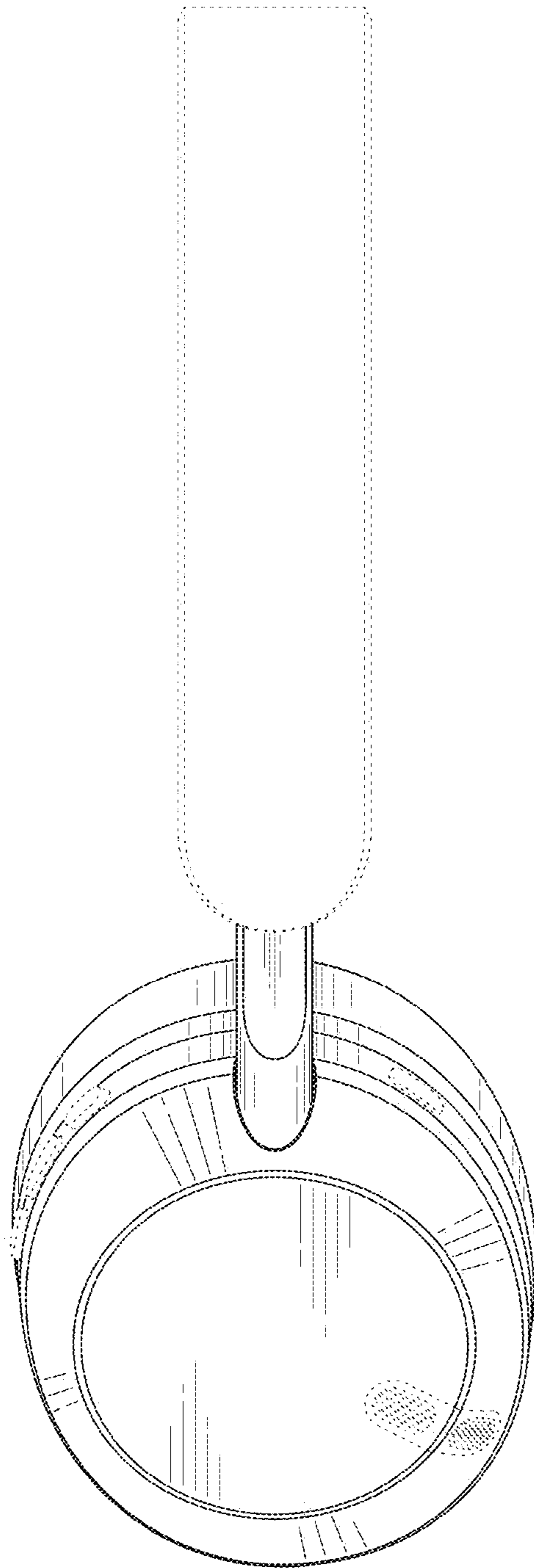


FIG. 5

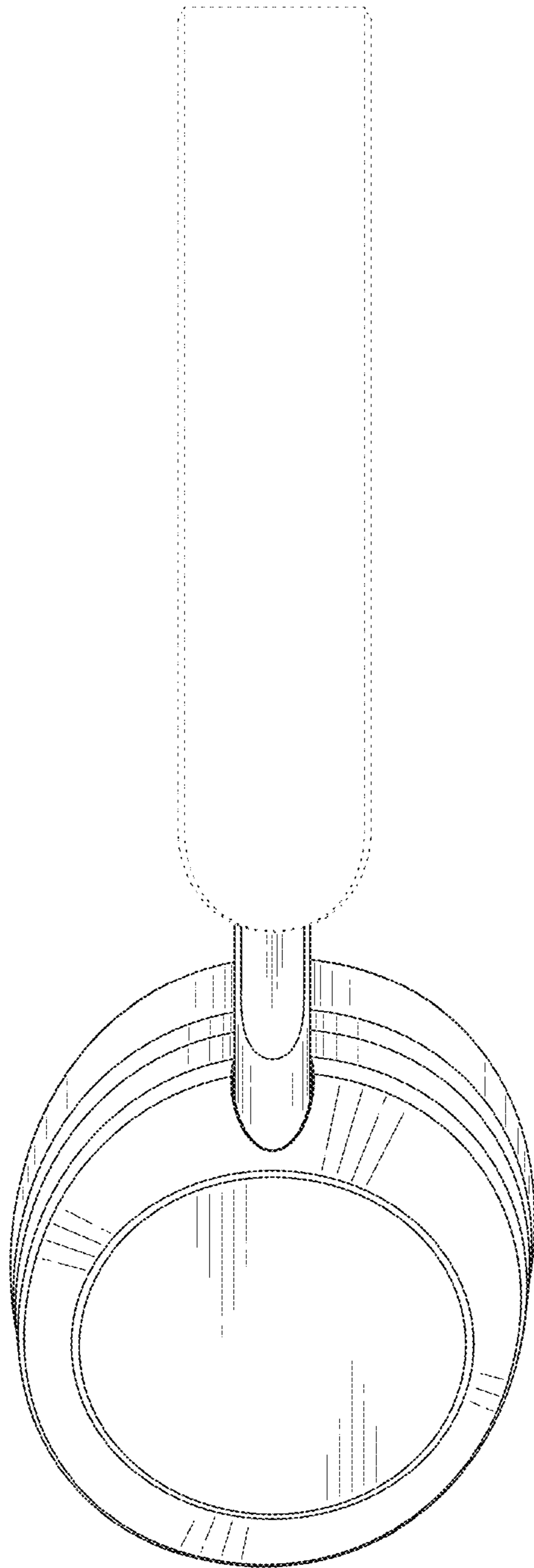


FIG. 6

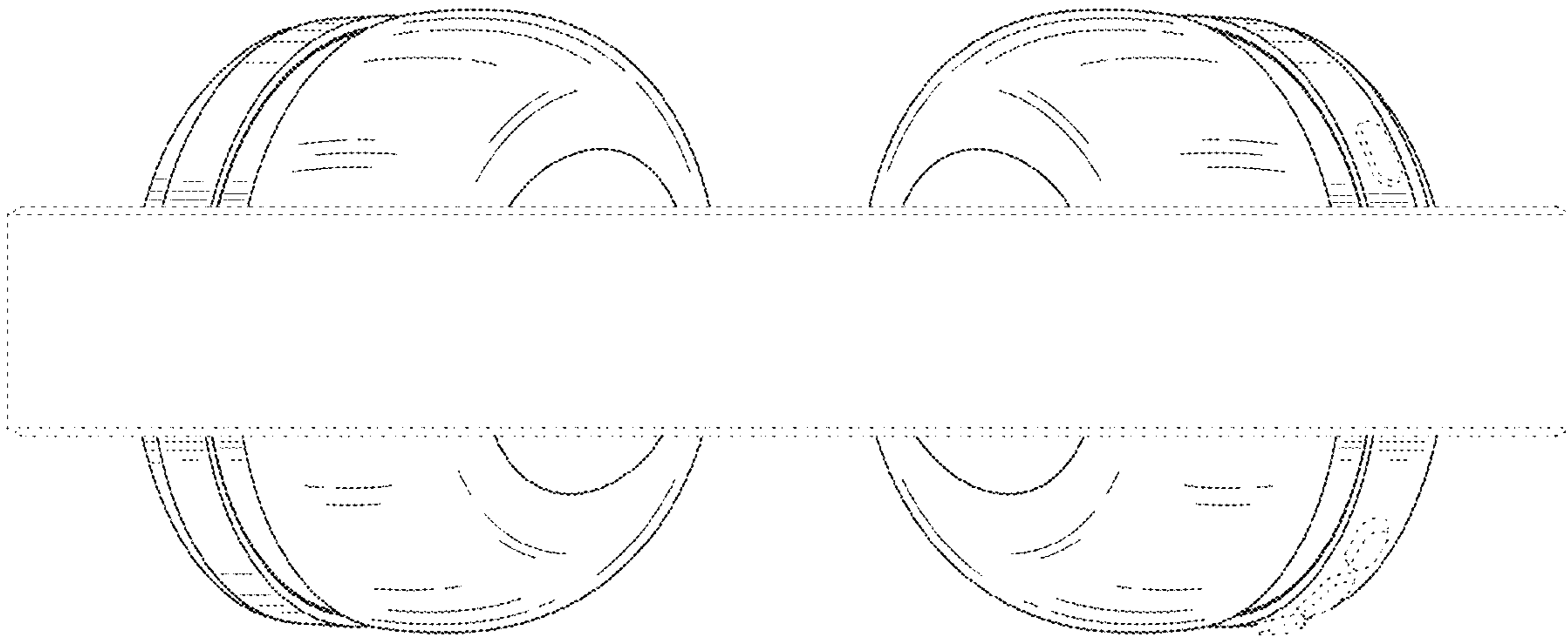


FIG. 7

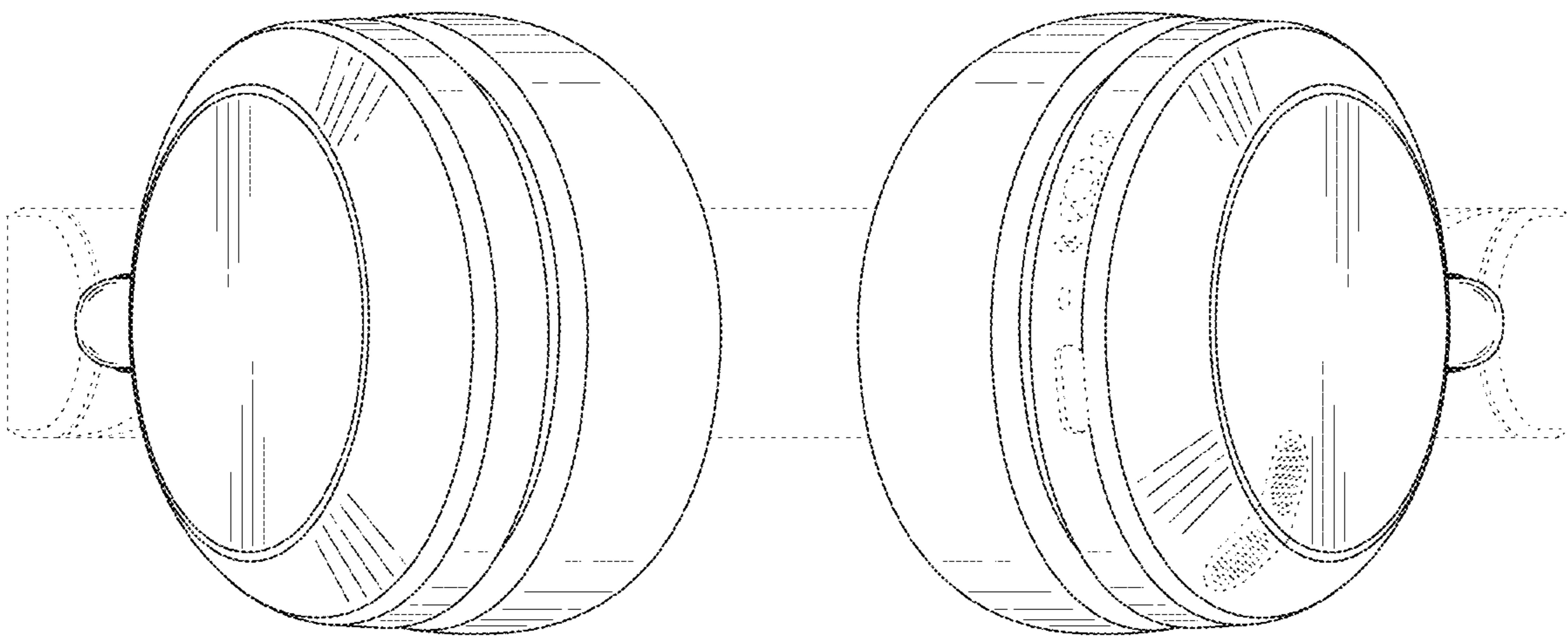


FIG. 8