

US00D969773S

(12) **United States Design Patent** (10) **Patent No.:** **US D969,773 S**  
**Brunner et al.** (45) **Date of Patent:** **\*\* Nov. 15, 2022**

(54) **HEADSET**

CPC ..... H04R 25/00; H04R 25/02; H04R 1/1066;  
H04R 1/1016; H04R 5/033; H04R  
5/0335; H04R 1/1008; H04R 19/04;  
H04R 11/04; H04R 1/1091; A61F 11/14;  
G02B 27/017

(71) Applicant: **Apple Inc.**, Cupertino, CA (US)

(72) Inventors: **Robert D. Brunner**, Glen Ellen, CA  
(US); **Christopher Kuh**, San Francisco,  
CA (US)

See application file for complete search history.

(73) Assignee: **Apple Inc.**, Cupertino, CA (US)

(56) **References Cited**

(\*\*) Term: **15 Years**

U.S. PATENT DOCUMENTS

(21) Appl. No.: **29/823,119**

(22) Filed: **Jan. 14, 2022**

1,066,511 A	7/1913	Markoff
1,367,746 A	2/1921	Kent
1,615,028 A	1/1927	Morser
1,648,832 A	11/1927	Urban
2,149,341 A	3/1939	Harrison
2,640,699 A	6/1953	Garbo
3,104,398 A	9/1963	Palmaer
D203,677 S	2/1966	Spilman
3,359,678 A	12/1967	Headrick
3,580,580 A	5/1971	Wark et al.
D229,833 S	1/1974	Becker
D244,300 S	5/1977	Besasio
4,114,885 A	9/1978	Morrow
4,173,715 A	11/1979	Gosman
D254,183 S	2/1980	Doodson
D254,876 S	5/1980	Reitenga et al.
D255,352 S	6/1980	Besasio
4,288,942 A	9/1981	Nicholl
4,306,121 A	12/1981	Joscelyn et al.
4,378,824 A	4/1983	Carder
4,385,209 A	5/1983	Greason et al.
4,404,445 A	9/1983	Baran et al.
D274,516 S	7/1984	Walker
4,609,786 A	9/1986	Omoto et al.
D286,874 S	11/1986	Bertagna et al.
4,634,816 A	1/1987	O'Malley et al.
D300,528 S	4/1989	Drane
4,875,233 A	10/1989	Derhaag et al.
D307,275 S	4/1990	Pollard
D313,092 S	12/1990	Nilsson
5,018,599 A	5/1991	Dohi et al.
5,035,005 A	7/1991	Hung
D328,074 S	7/1992	Yamazaki et al.
D328,461 S	8/1992	Daido et al.
D338,010 S	8/1993	Yamatogi
5,288,256 A	2/1994	Lee et al.
D351,172 S	10/1994	Nakamura et al.
D358,389 S	5/1995	Isono
D358,391 S	5/1995	Isono
D362,841 S	10/1995	Roza
D374,658 S	10/1996	Bever et al.

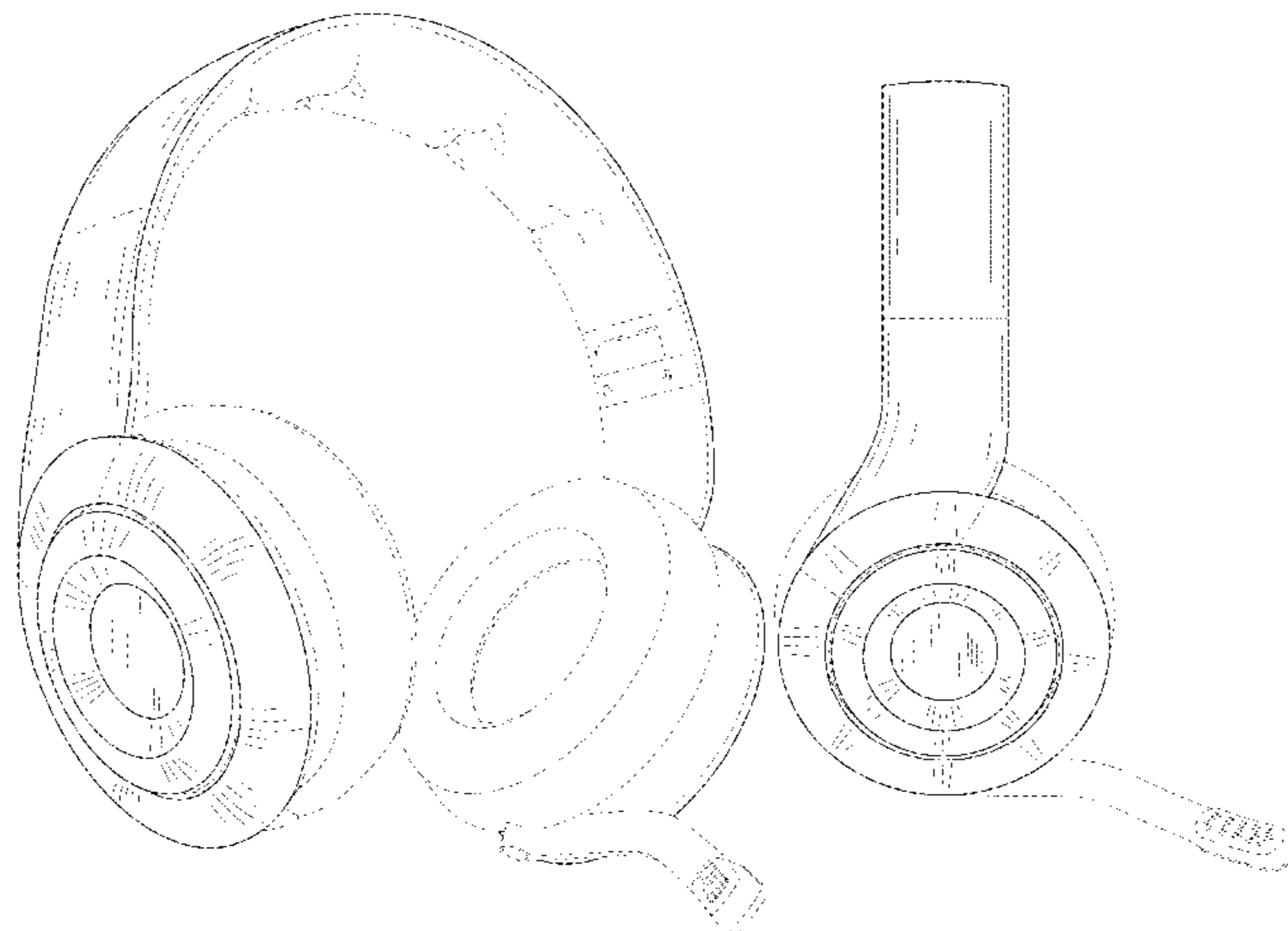
**Related U.S. Application Data**

(60) Continuation of application No. 29/795,780, filed on Jun. 21, 2021, now Pat. No. Des. 941,262, which is a continuation of application No. 29/706,360, filed on Sep. 19, 2019, now Pat. No. Des. 922,978, which is a continuation of application No. 29/642,633, filed on Mar. 30, 2018, now Pat. No. Des. 860,969, which is a continuation of application No. 29/574,209, filed on Aug. 12, 2016, now Pat. No. Des. 814,438, which is a continuation of application No. 29/504,827, filed on Oct. 9, 2014, now Pat. No. Des. 764,435, which is a continuation of application No. 29/464,539, filed on Aug. 18, 2013, now Pat. No. Des. 716,760, which is a division of application No. 29/426,082, filed on Jun. 29, 2012, now Pat. No. Des. 691,112, which is a continuation-in-part of application No. 29/410,585, filed on Jan. 9, 2012, now Pat. No. Des. 698,749.

(51) **LOC (13) Cl.** ..... **14-01**

(52) **U.S. Cl.**  
USPC ..... **D14/205; D14/206**

(58) **Field of Classification Search**  
USPC ..... D14/206, 226, 205; D29/112; 2/209;  
381/380, 381, 374; 455/90.3, 575.1,  
455/569.1





# US D969,773 S

D375,825 S	11/1996	Whidden		D637,999 S *	5/2011	Brunner	.....	D14/205
D386,223 S	11/1997	Imai		D638,000 S	5/2011	Hoggarth		
D390,282 S	2/1998	Burdick		D639,776 S	6/2011	Arimoto		
5,812,680 A	9/1998	Glendon		D641,725 S	7/2011	Chong et al.		
D403,128 S	12/1998	Scanlon et al.		D643,833 S	8/2011	Lee et al.		
D407,985 S	4/1999	Pimentel		D646,280 S	10/2011	Yano		
D420,356 S	2/2000	Suzuki		D648,330 S *	11/2011	Fischer	.....	D14/226
D422,592 S	4/2000	Deguchi		D652,017 S *	1/2012	Groves	.....	D14/206
6,081,604 A	6/2000	Hikichi et al.		D652,405 S *	1/2012	Lee	.....	D14/205
D430,140 S	8/2000	Roman		D652,406 S *	1/2012	Lee	.....	D14/205
D435,249 S	12/2000	Yasutomi		D654,471 S *	2/2012	Fischer	.....	D14/206
6,163,615 A	12/2000	Callahan		D654,472 S *	2/2012	Fischer	.....	D14/206
6,195,839 B1	3/2001	Patterson et al.		D657,344 S *	4/2012	Brunner	.....	D14/205
D457,512 S	5/2002	Yoneda		D657,345 S *	4/2012	Brunner	.....	H04R 1/1008
6,449,806 B1	9/2002	Engelhard et al.						D14/205
D464,630 S	10/2002	Woodworth		D657,776 S *	4/2012	Lee	.....	D14/205
D468,723 S	1/2003	Pham et al.		D660,823 S	5/2012	Hardi et al.		
D469,411 S	1/2003	Decosse		D660,824 S *	5/2012	Hardi	.....	D14/205
D482,484 S	11/2003	Benghozi		D660,826 S *	5/2012	Brunner	.....	D14/223
D484,485 S	12/2003	Matsuoka		D662,490 S *	6/2012	McSweyn	.....	D14/205
6,654,966 B2	12/2003	Rolla		D663,716 S *	7/2012	Hardi	.....	D14/205
D484,868 S	1/2004	Suzuki		D667,381 S	9/2012	Rolli et al.		
6,678,897 B2	1/2004	Lindgren		D673,136 S *	12/2012	Kelly	.....	D14/205
D487,733 S	3/2004	Lucaci et al.		D673,518 S *	1/2013	Tan	.....	D14/205
D491,163 S	6/2004	Green		D673,520 S *	1/2013	Tan	.....	D14/205
D502,938 S	3/2005	Tokioka et al.		D674,767 S *	1/2013	Brunner	.....	D14/205
D504,414 S	4/2005	Yoshida		D675,595 S *	2/2013	Cho	.....	D14/205
D504,883 S	5/2005	Jacobson et al.		D677,647 S *	3/2013	Lee	.....	D14/205
D508,247 S	8/2005	Fisher et al.		D677,648 S *	3/2013	Lee	.....	D14/206
D512,381 S	12/2005	Sirichai et al.		D682,934 S	5/2013	Kermoal et al.		
D512,417 S	12/2005	Hirakawa et al.		D683,329 S *	5/2013	Hagelin	.....	D14/205
D512,708 S	12/2005	Harris, Jr. et al.		D686,597 S	7/2013	Lee et al.		
D512,981 S	12/2005	Jacobson et al.		D689,843 S *	9/2013	Lee	.....	D14/205
D514,086 S	1/2006	Skulley		D691,112 S *	10/2013	Brunner	.....	D14/206
D517,043 S	3/2006	Jacobson et al.		D691,579 S *	10/2013	Lee	.....	D14/205
D517,528 S	3/2006	Skulley		D691,984 S *	10/2013	Wang	.....	D14/205
7,072,483 B2	7/2006	Lenhard-Backhaus		D692,410 S *	10/2013	Brunner	.....	H04R 1/1008
D532,407 S	11/2006	Motoishi						D14/206
D534,155 S	12/2006	Obata		D693,791 S *	11/2013	Troy	.....	D14/205
D534,156 S	12/2006	Obata		D696,226 S *	12/2013	Brunner	.....	H04R 5/033
7,172,052 B2	2/2007	Lenhard-Backhaus						D14/205
D539,788 S	4/2007	Thompson et al.		D698,749 S *	2/2014	Brunner	.....	D14/206
D540,301 S	4/2007	Obata		D700,904 S *	3/2014	Miller	.....	D14/218
D540,303 S	4/2007	Rausch et al.		D704,163 S *	5/2014	Brunner	.....	H04R 1/1008
D540,778 S	4/2007	Thompson et al.						D14/205
D541,255 S	4/2007	Taylor et al.		D709,860 S *	7/2014	Brunner	.....	H04S 1/005
D541,256 S	4/2007	Rausch et al.						D14/205
D541,257 S	4/2007	Thursfield						
D552,077 S *	10/2007	Brunner	.....	8,774,442 B2	7/2014	Huang		
D557,684 S	12/2007	Pundsack et al.	D14/205	D711,348 S *	8/2014	Yang	.....	D14/205
D560,654 S	1/2008	Feng		8,831,266 B1	9/2014	Huang		
D563,382 S	3/2008	Wikel		D716,760 S *	11/2014	Brunner	.....	D14/206
D563,995 S	3/2008	Deguchi et al.		D720,304 S	12/2014	Haug et al.		
7,356,362 B2	4/2008	Chang et al.		9,031,275 B2	5/2015	Brødsgaard		
D582,890 S	12/2008	Koza et al.		9,036,855 B2	5/2015	Shah		
D584,715 S	1/2009	Brennwald		D731,457 S *	6/2015	Brunner	.....	D14/205
D585,870 S	2/2009	Zheng et al.		D732,000 S *	6/2015	Brunner	.....	D14/205
D585,871 S	2/2009	Lee		D732,503 S *	6/2015	Brunner	.....	H04S 1/005
D585,872 S	2/2009	Lee						D14/206
D588,098 S	3/2009	Kurihara		D734,296 S	7/2015	Paterson et al.		
D588,100 S	3/2009	Densho et al.		9,084,055 B2 *	7/2015	Brunner	.....	H04R 1/1091
D591,263 S	4/2009	Shimizu		D738,350 S *	9/2015	Brunner	.....	D14/205
D592,182 S	5/2009	Sanguinetti		D746,792 S	1/2016	Kim		
D592,640 S	5/2009	Tkachuk		D760,687 S *	7/2016	Brunner	.....	D14/205
D593,995 S	6/2009	Shimizu		D760,688 S *	7/2016	Brunner	.....	H04S 1/005
D600,674 S	9/2009	Brennwald						D14/206
D602,906 S	10/2009	Groves et al.		D764,435 S *	8/2016	Brunner	.....	D14/205
D603,370 S	11/2009	Suzuki		9,445,185 B2 *	9/2016	Brunner	.....	H04R 1/1066
D603,371 S	11/2009	Boateng et al.		D778,258 S	2/2017	Hsu et al.		
D616,865 S	6/2010	Marchand et al.		D791,103 S	7/2017	Brunner et al.		
D617,769 S	6/2010	Birger		D791,733 S *	7/2017	Brunner	.....	D14/205
D617,771 S	6/2010	Groves et al.		D795,835 S	8/2017	Nagamine et al.		
7,735,154 B2	6/2010	Gellis et al.		D809,477 S *	2/2018	Brunner	.....	H04R 1/1008
D625,705 S	10/2010	Ohori et al.						D14/205
D632,668 S *	2/2011	Brunner	.....	D813,837 S	3/2018	Paterson		
D633,896 S	3/2011	Kondo et al.	D14/205	D814,438 S *	4/2018	Brunner	.....	D14/205
D635,959 S	4/2011	Hutchieson		D826,210 S	8/2018	Chong		
D637,176 S *	5/2011	Brunner	.....	D836,600 S *	12/2018	Lee	.....	D14/206
D637,998 S *	5/2011	Brunner	.....	D843,345 S *	3/2019	Brunner	.....	D14/205





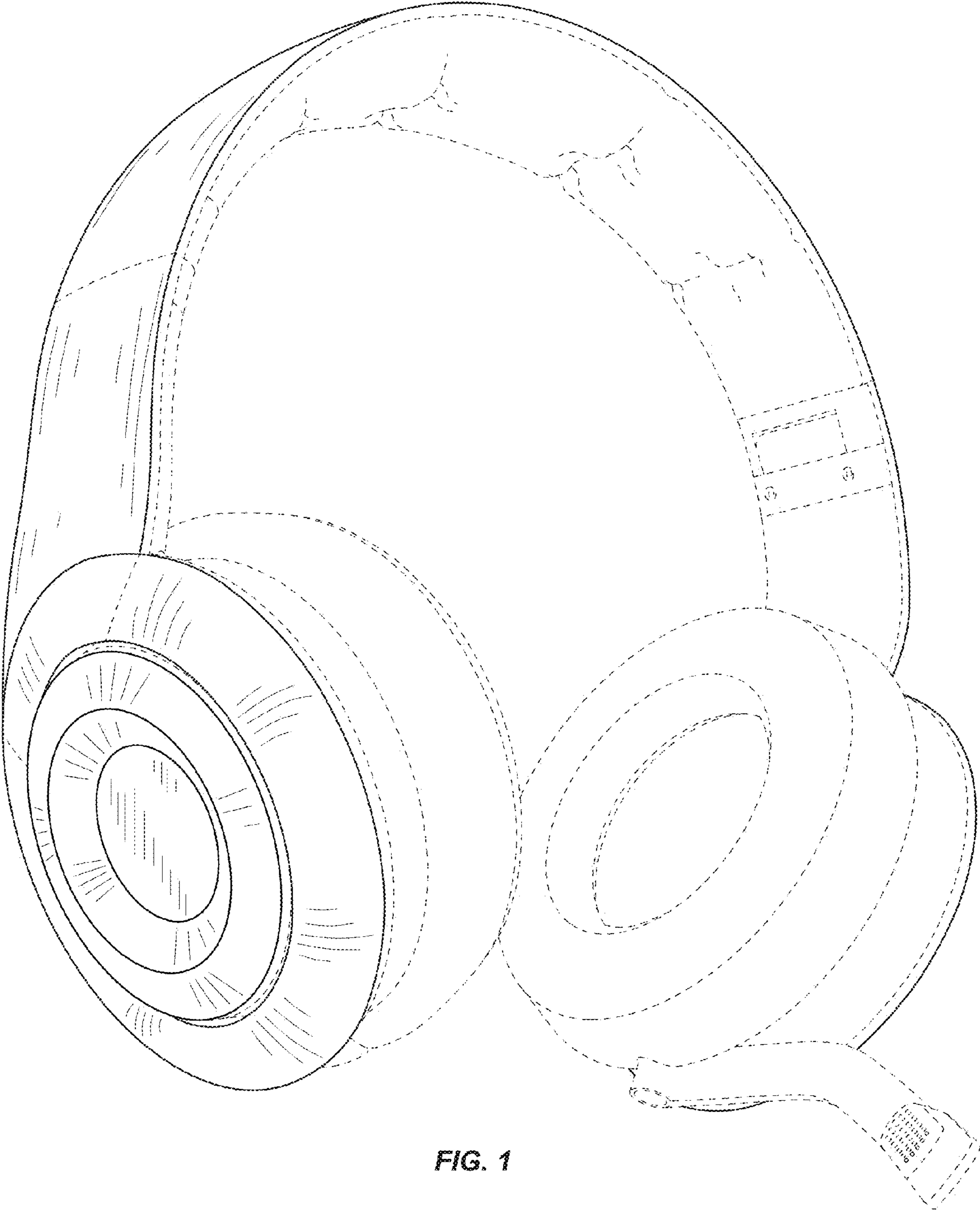


FIG. 1



FIG. 2

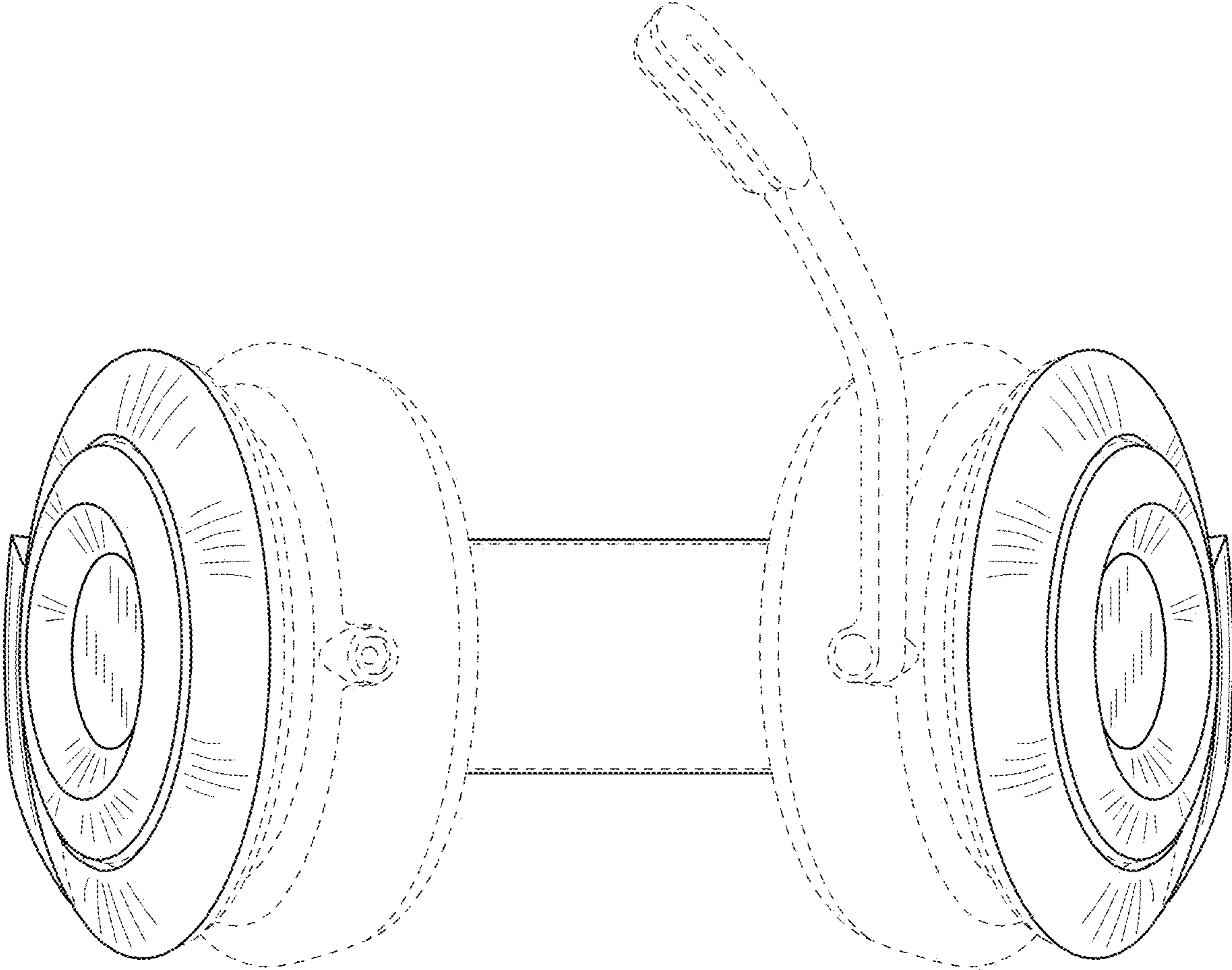


FIG. 3

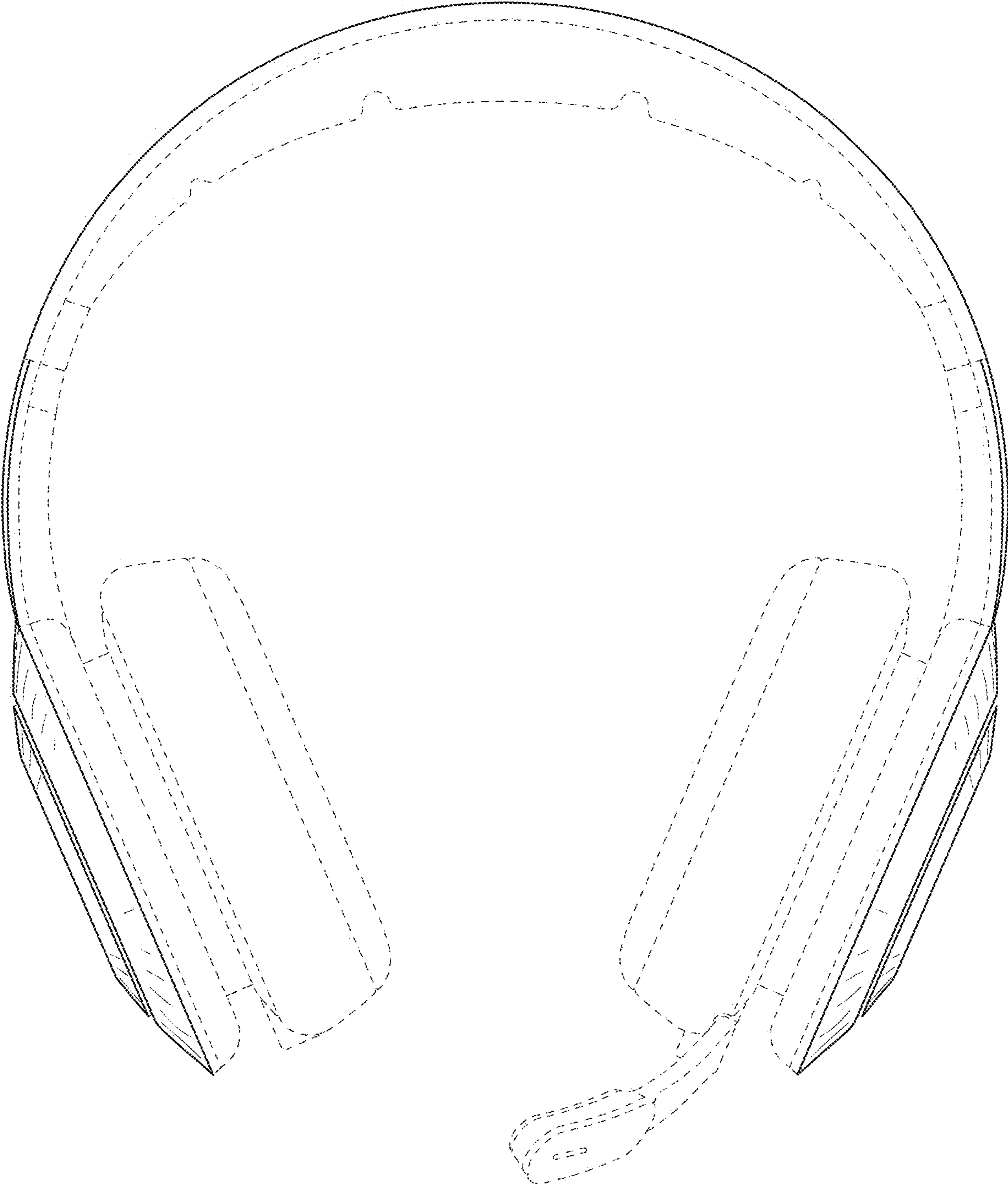


FIG. 4

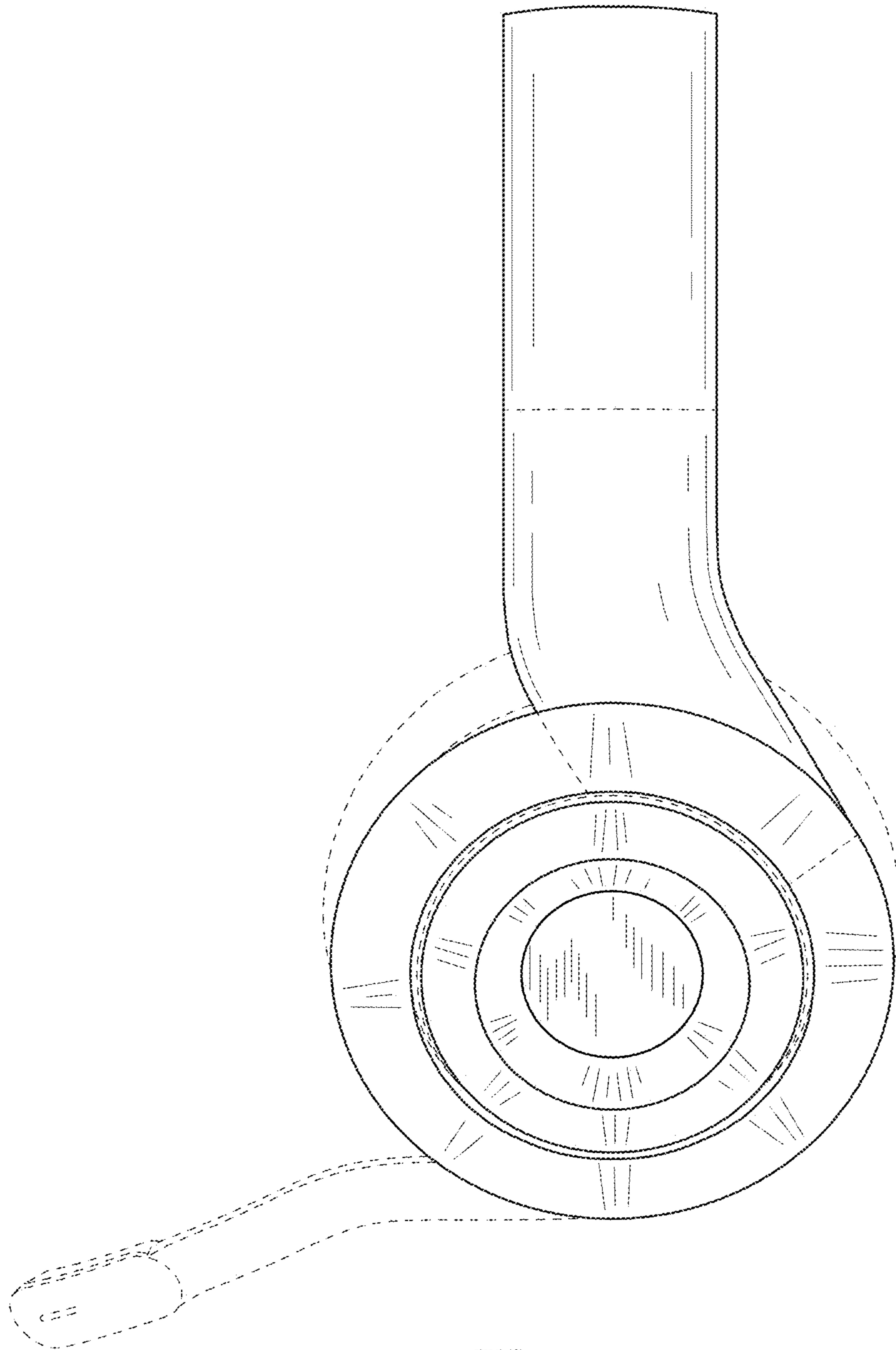


FIG. 5



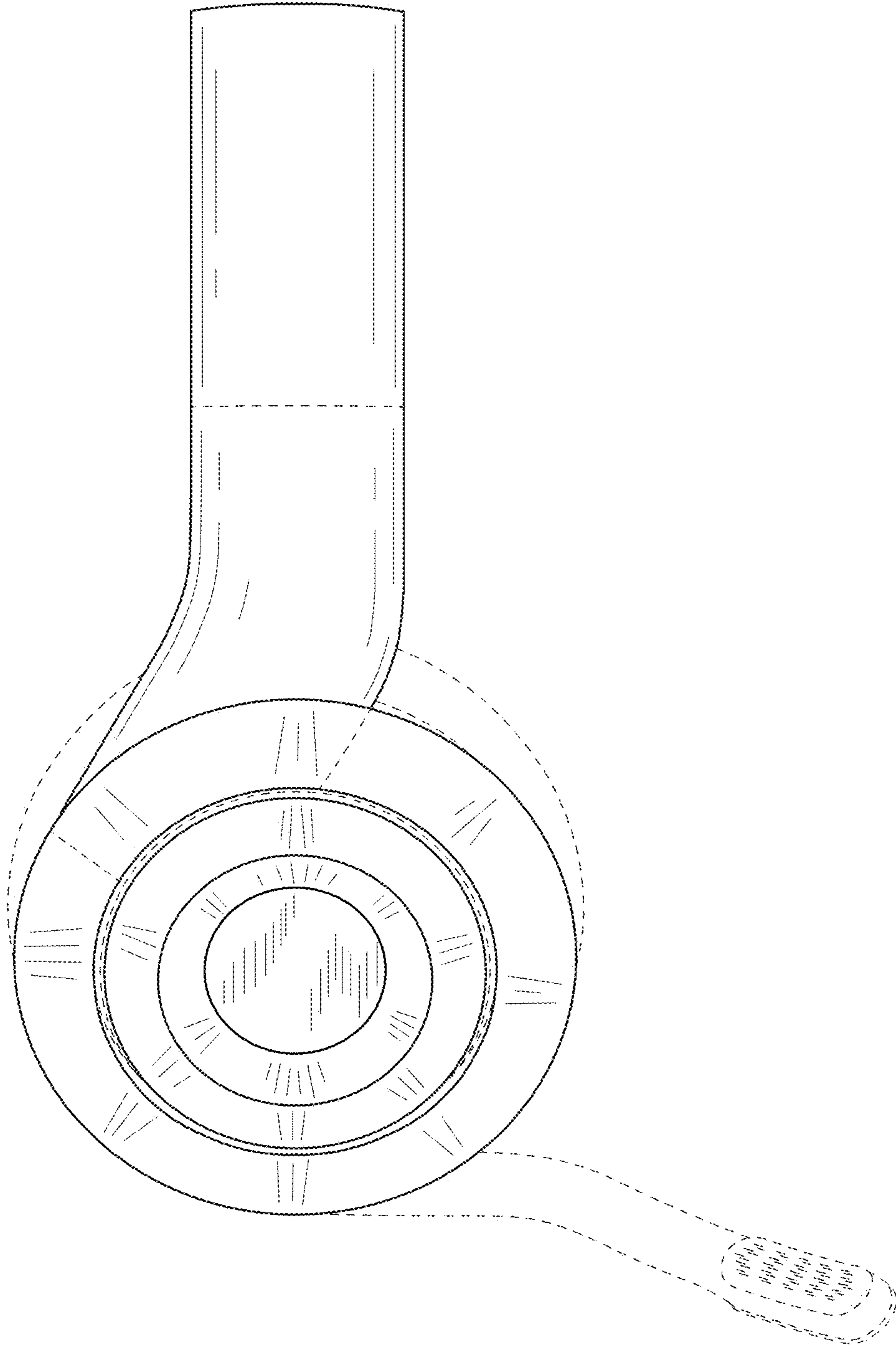


FIG. 6

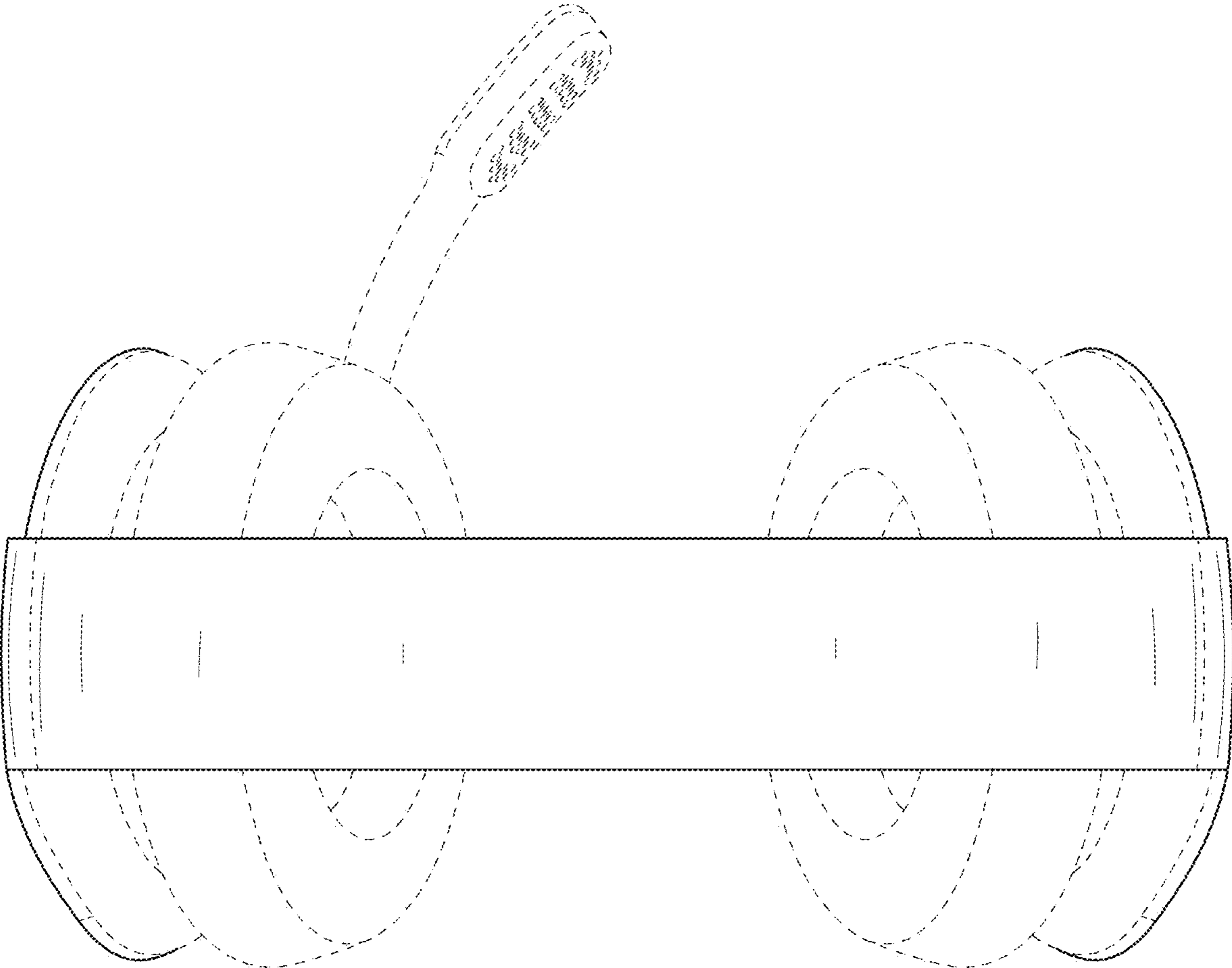


FIG. 7