



US00D969768S

(12) **United States Design Patent**
Ishii

(10) **Patent No.:** **US D969,768 S**
(45) **Date of Patent:** **** Nov. 15, 2022**

(54) **MOBILE PHONE**

(71) Applicant: **KYOCERA Corporation**, Kyoto (JP)

(72) Inventor: **Atsushi Ishii**, Yokohama (JP)

(73) Assignee: **KYOCERA CORPORATION**, Kyoto (JP)

(**) Term: **15 Years**

(21) Appl. No.: **29/741,059**

(22) Filed: **Jul. 9, 2020**

(30) **Foreign Application Priority Data**

May 26, 2020 (JP) 2020-010354 D

(51) **LOC (13) Cl.** **14-03**

(52) **U.S. Cl.**
USPC **D14/138 AB**

(58) **Field of Classification Search**
USPC D14/138 R, 138 G, 138 AA, 138 AB,
D14/138 AC, 138 AD, 496, 248, 203.1,
D14/203.3, 203.4, 203.7, 388, 389, 439,
D14/426, 348, 342, 341; D13/103, 107;
D21/329; D10/50

(Continued)

(56) **References Cited**

U.S. PATENT DOCUMENTS

D623,158 S * 9/2010 Hunt D14/138 AB
D635,117 S * 3/2011 Hirota D14/138 AB

(Continued)

FOREIGN PATENT DOCUMENTS

JP 1574807 S 4/2017
JP 1622504 S 1/2019

(Continued)

OTHER PUBLICATIONS

Kyocera DuraXE Epic Review, www.pcmag.com, May 26, 2021.
<https://www.pcmag.com/reviews/kyocera-duraxe-epic> (Year: 2021).*

(Continued)

Primary Examiner — Llorellys Martinez

Assistant Examiner — Kwabena A. Ankobiah

(74) *Attorney, Agent, or Firm* — Sughrue Mion, PLLC

(57) **CLAIM**

The ornamental design for a mobile phone, as shown and described.

DESCRIPTION

FIG. 1 is a front perspective view of a mobile phone showing my new design;

FIG. 2 is a rear perspective view thereof;

FIG. 3 is a front elevational view thereof;

FIG. 4 is rear elevational view thereof;

FIG. 5 is a left-side elevational view thereof;

FIG. 6 is a right-side elevational view thereof;

FIG. 7 is a top plan view thereof;

FIG. 8 is a bottom plan view thereof;

FIG. 9 is a front perspective view thereof in an open state;

FIG. 10 is a rear perspective view thereof in an open state;

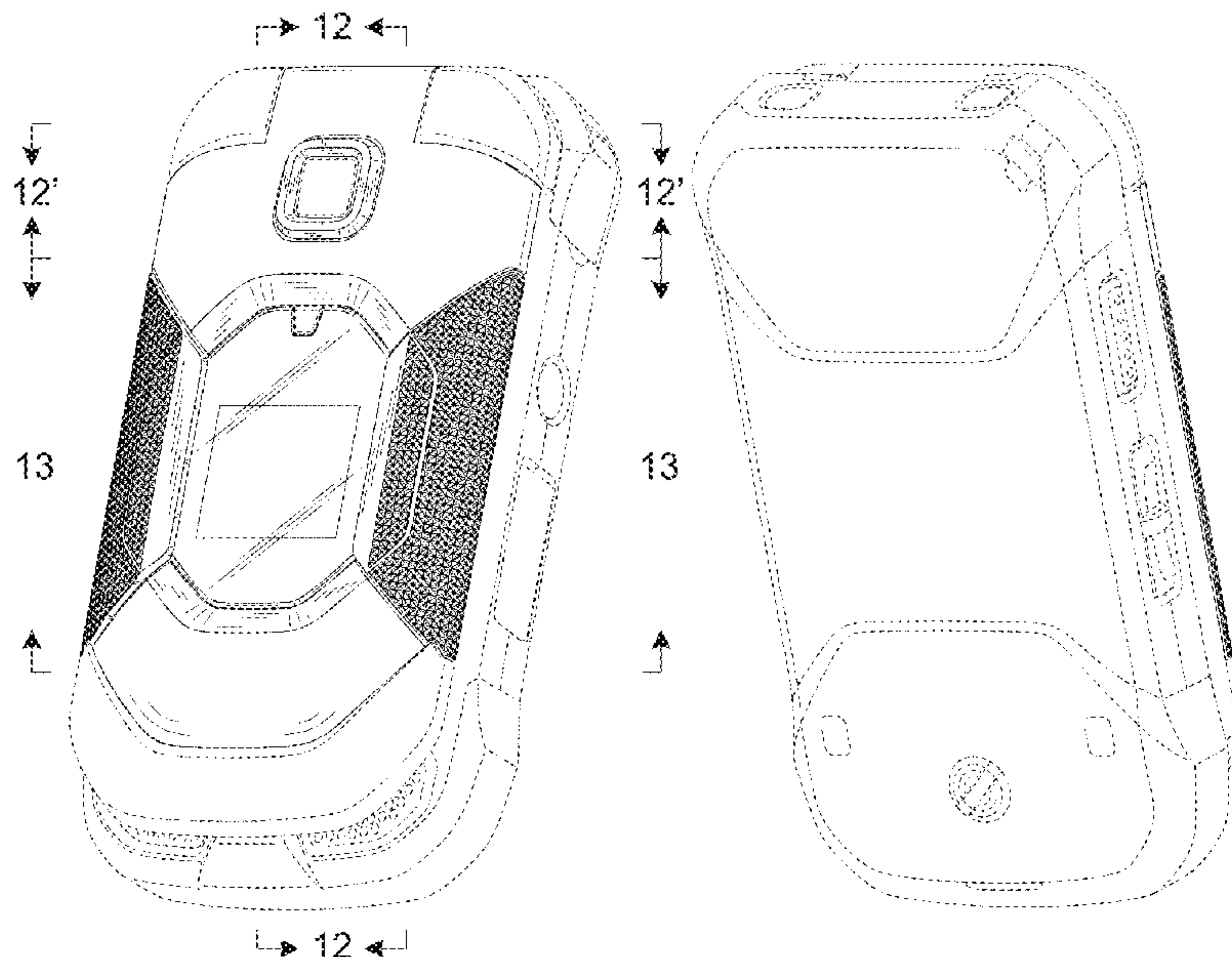
FIG. 11 is a rear elevational view thereof in an open state;

FIG. 12 is an enlarged view of the portion defined by lines 12-12' in FIG. 1; and,

FIG. 13 is an enlarged view of the portion defined by lines 13-13' in FIG. 1.

The broken lines depict portions of the mobile phone that form no part of the claimed design. The other broken lines encircling a portion of the mobile phone in FIGS. 12 and 13 are included to show a partially enlarged view only and form no part of the claimed design.

1 Claim, 11 Drawing Sheets



(58) **Field of Classification Search**

CPC G06F 3/041; G06F 3/0412; G06F 3/0488;
G06F 3/04883; G06F 1/1613; G06F
1/1692; G06F 1/1626; G06F 2200/1633;
A63H 33/3016

See application file for complete search history.

(56) **References Cited**

U.S. PATENT DOCUMENTS

D648,696 S * 11/2011 Hirota D14/138 AB
D649,133 S * 11/2011 Goto D14/138 AB
D682,240 S * 5/2013 Hirota D14/138 AB
D751,524 S * 3/2016 Nagao D14/138 AB
D777,133 S * 1/2017 Ishii D14/138 AB
D803,202 S * 11/2017 Takahashi D14/248
D825,519 S * 8/2018 Ishii D14/138 AB
D828,342 S * 9/2018 Chen D14/240
D832,837 S * 11/2018 Pennington, Jr. D14/344
D879,774 S * 3/2020 Pennington, Jr. D14/344
D881,152 S * 4/2020 Yao D14/138 AB
D933,624 S * 10/2021 Ishii D14/138 AB

FOREIGN PATENT DOCUMENTS

JP 1655912 S 3/2020
JP D1678329 * 2/2021

OTHER PUBLICATIONS

Sonim Xp03 URL: <https://www.sonimtech.com/products/devices/xp3/>, retrieved on May 11, 2020, pp. 1-3, Sonim Technologies Inc.

* cited by examiner

FIG. 1

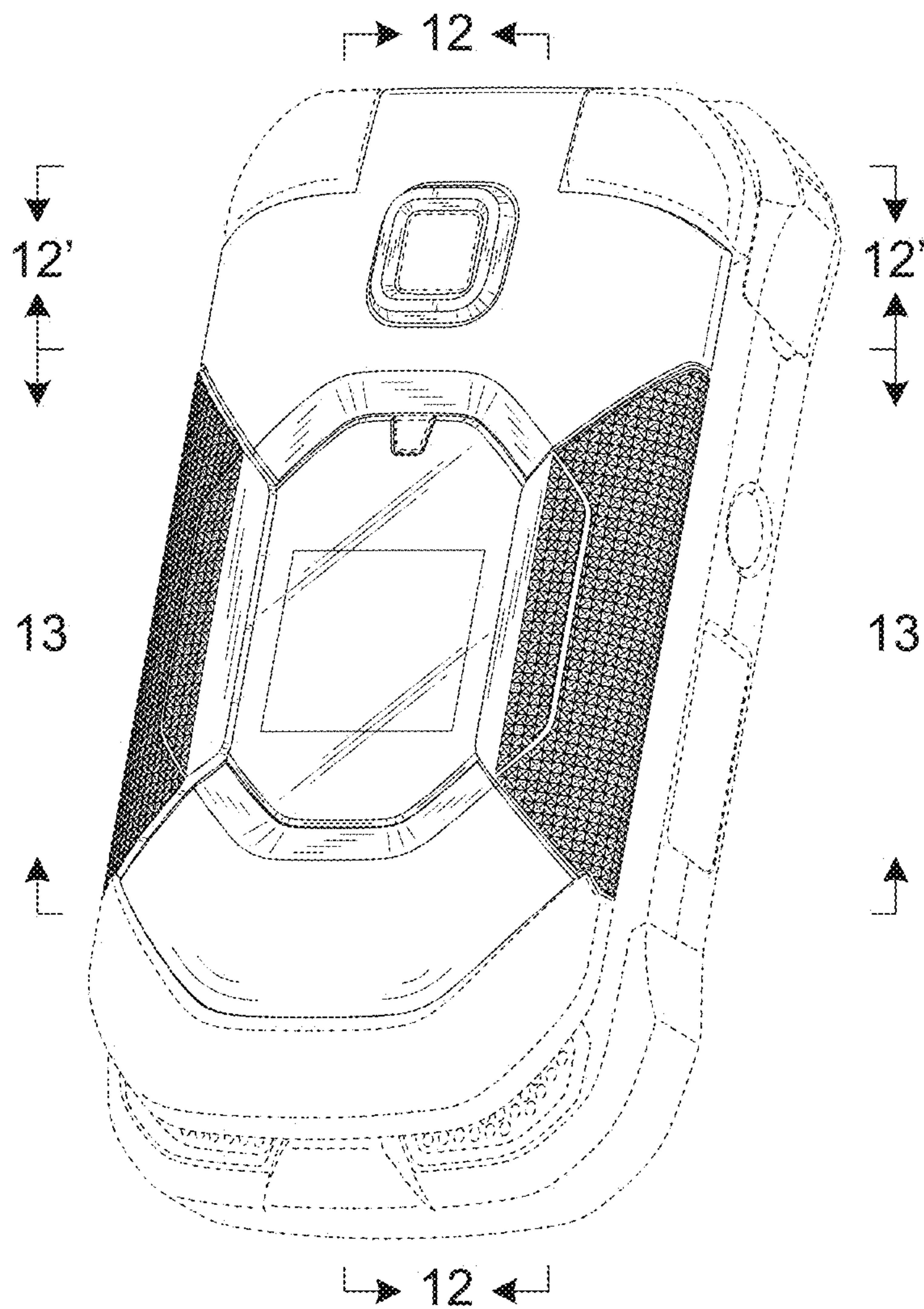


FIG. 2

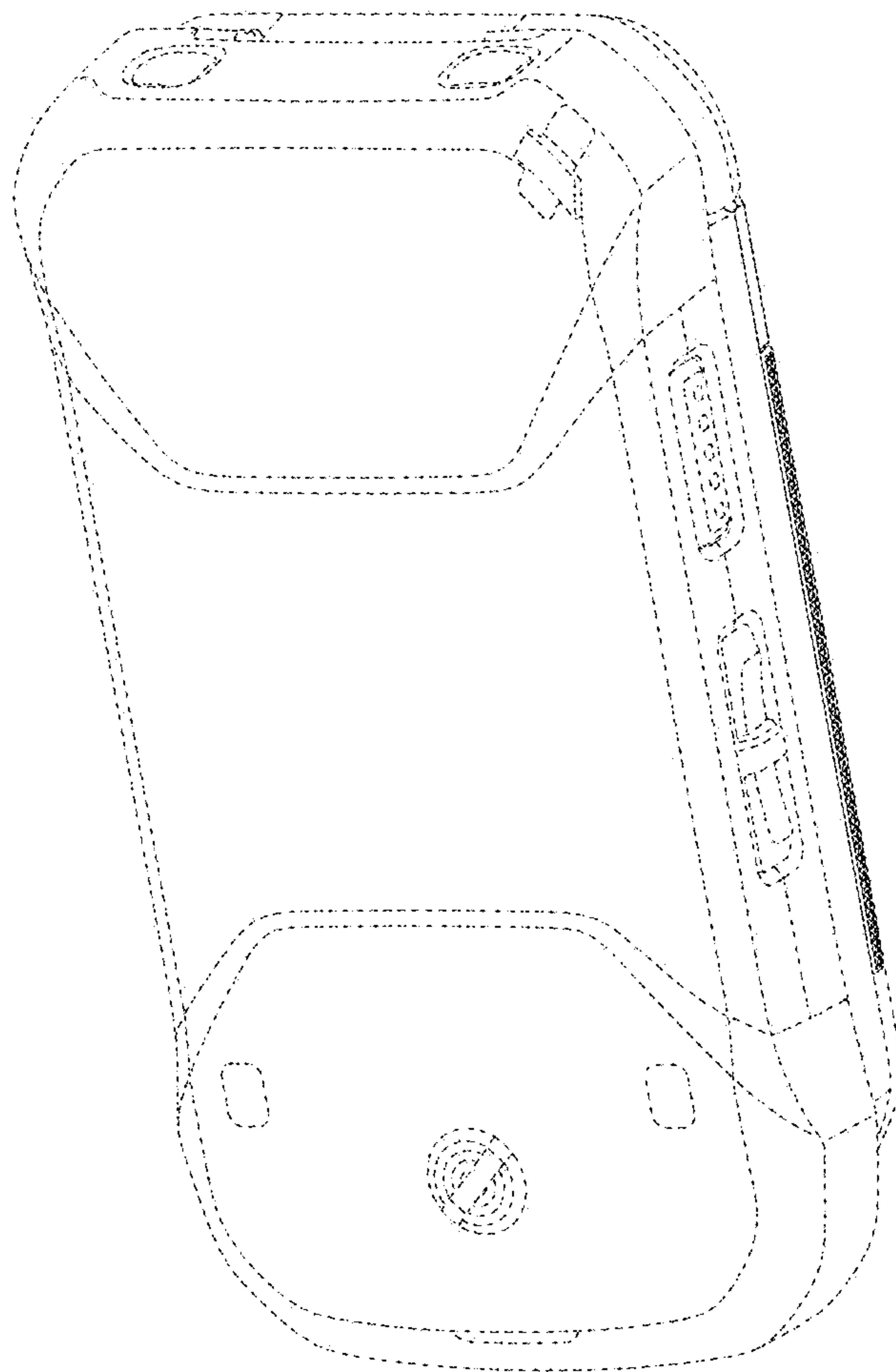


FIG. 3

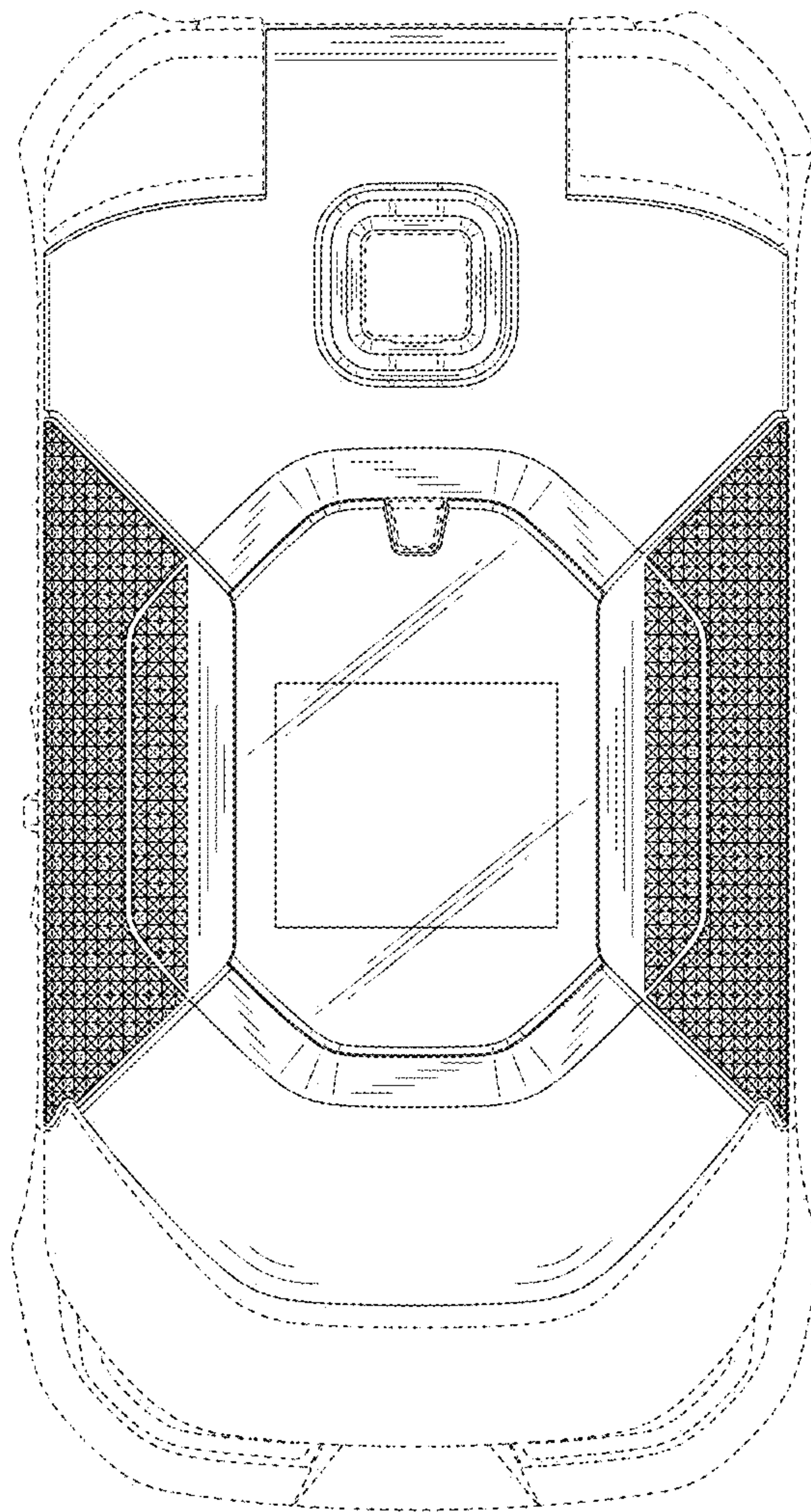


FIG. 4

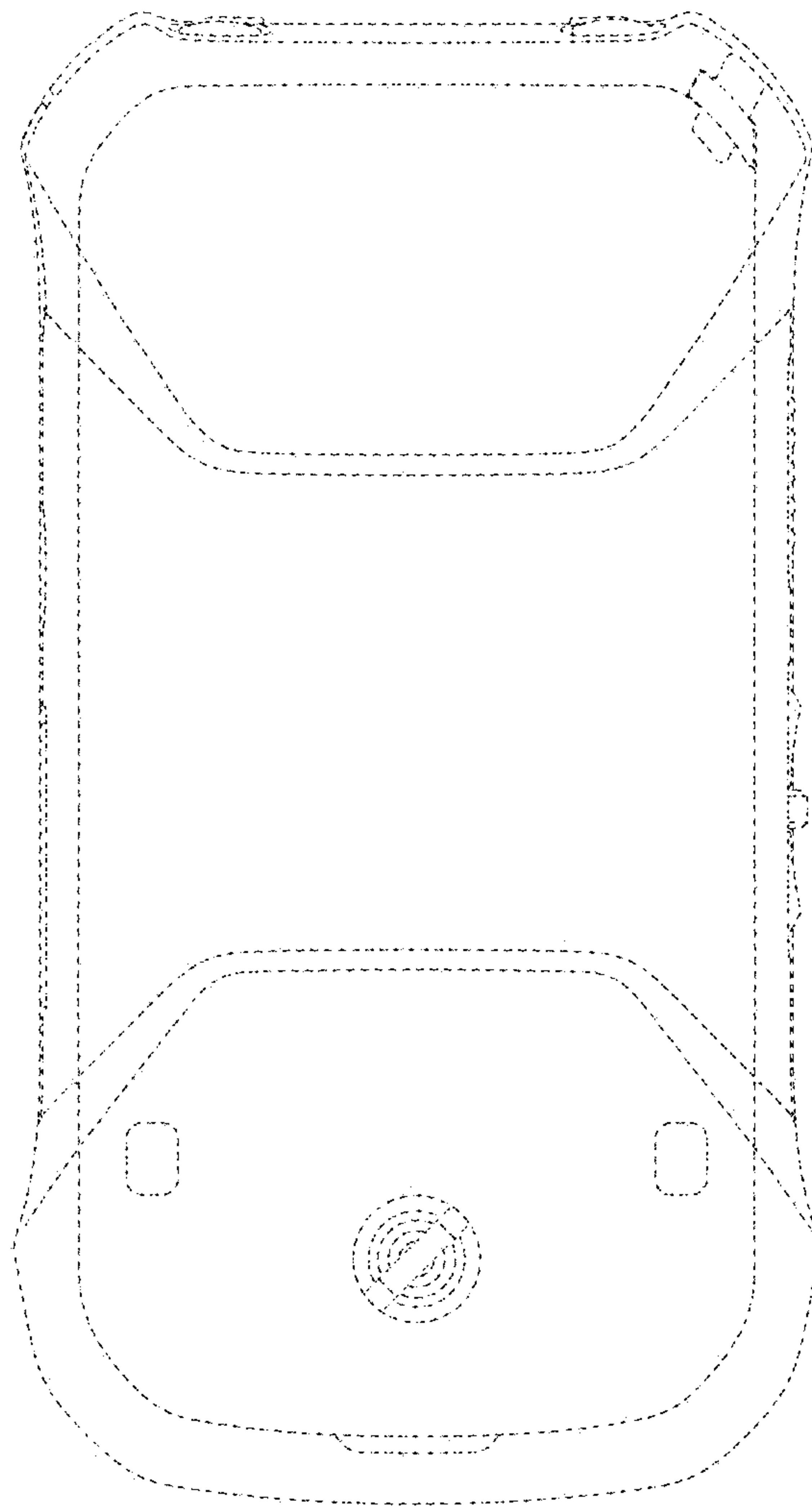


FIG. 5

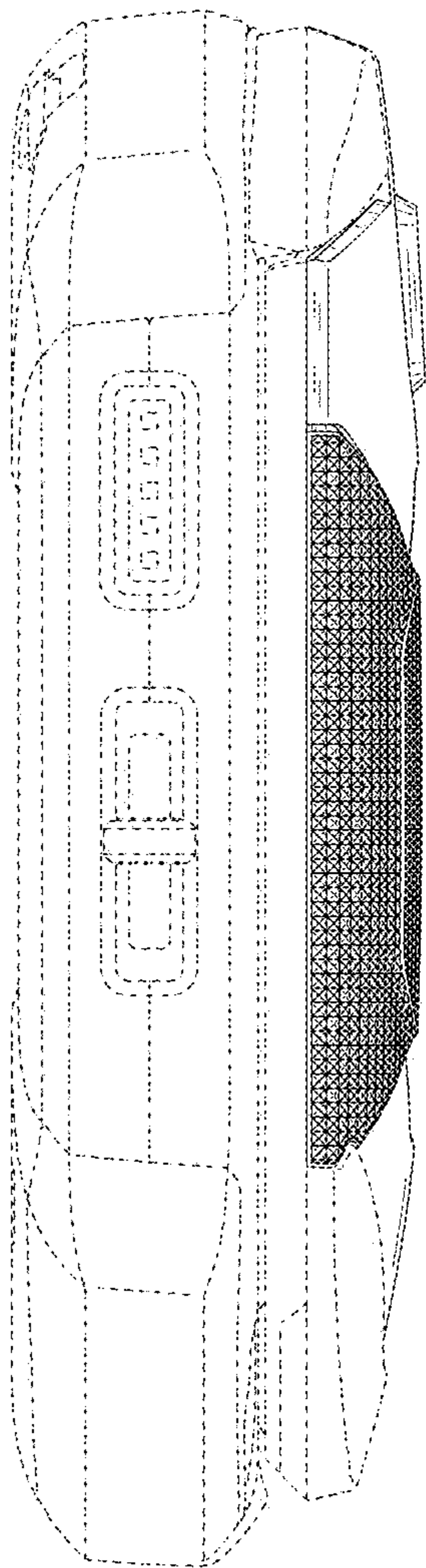


FIG. 6

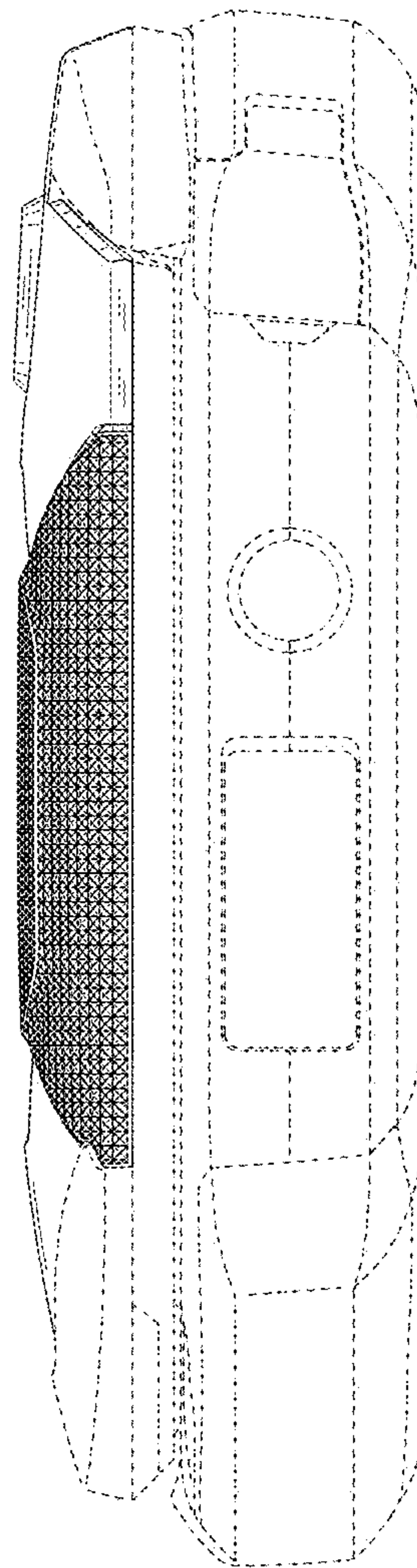


FIG. 7

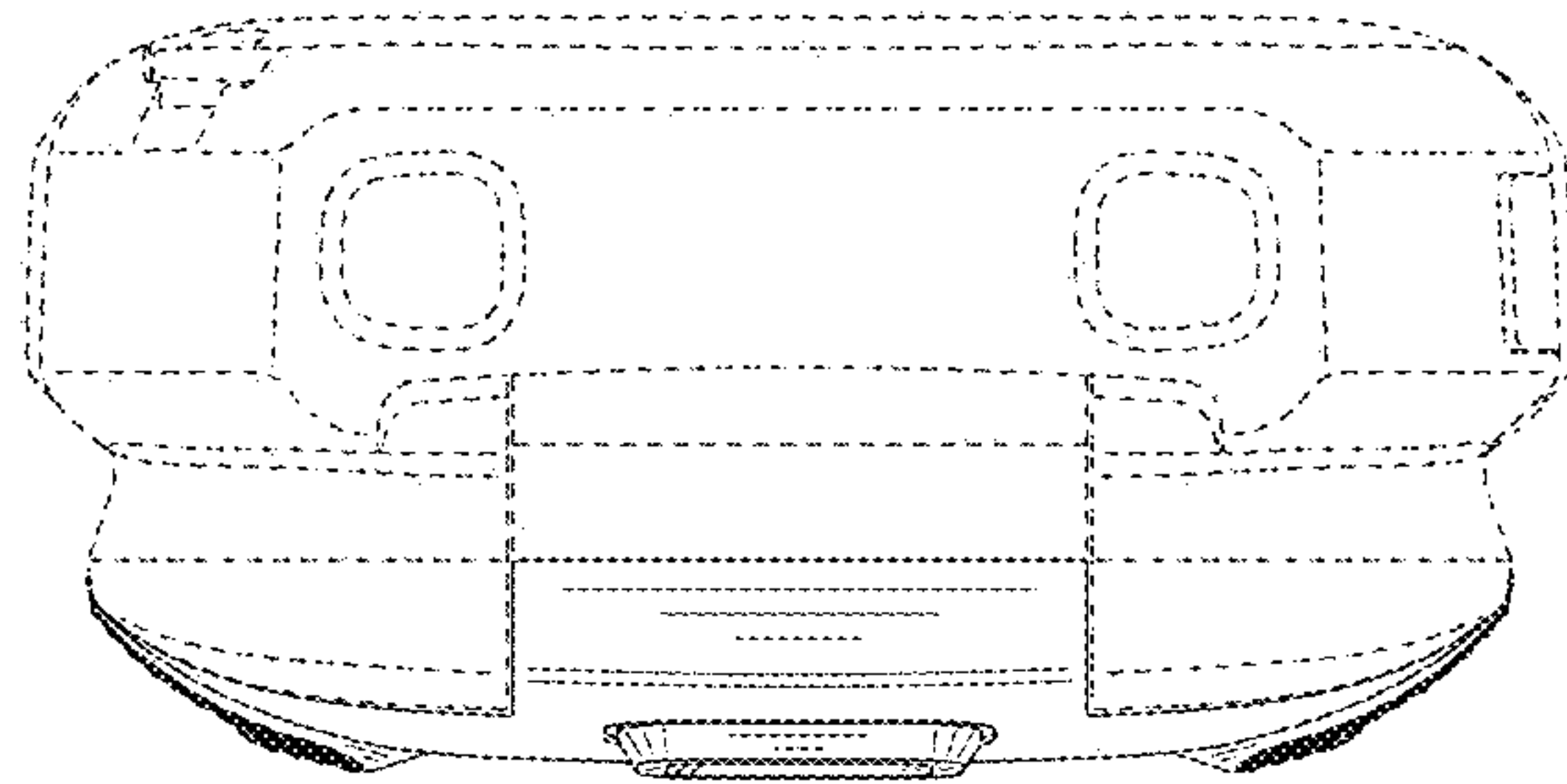


FIG. 8

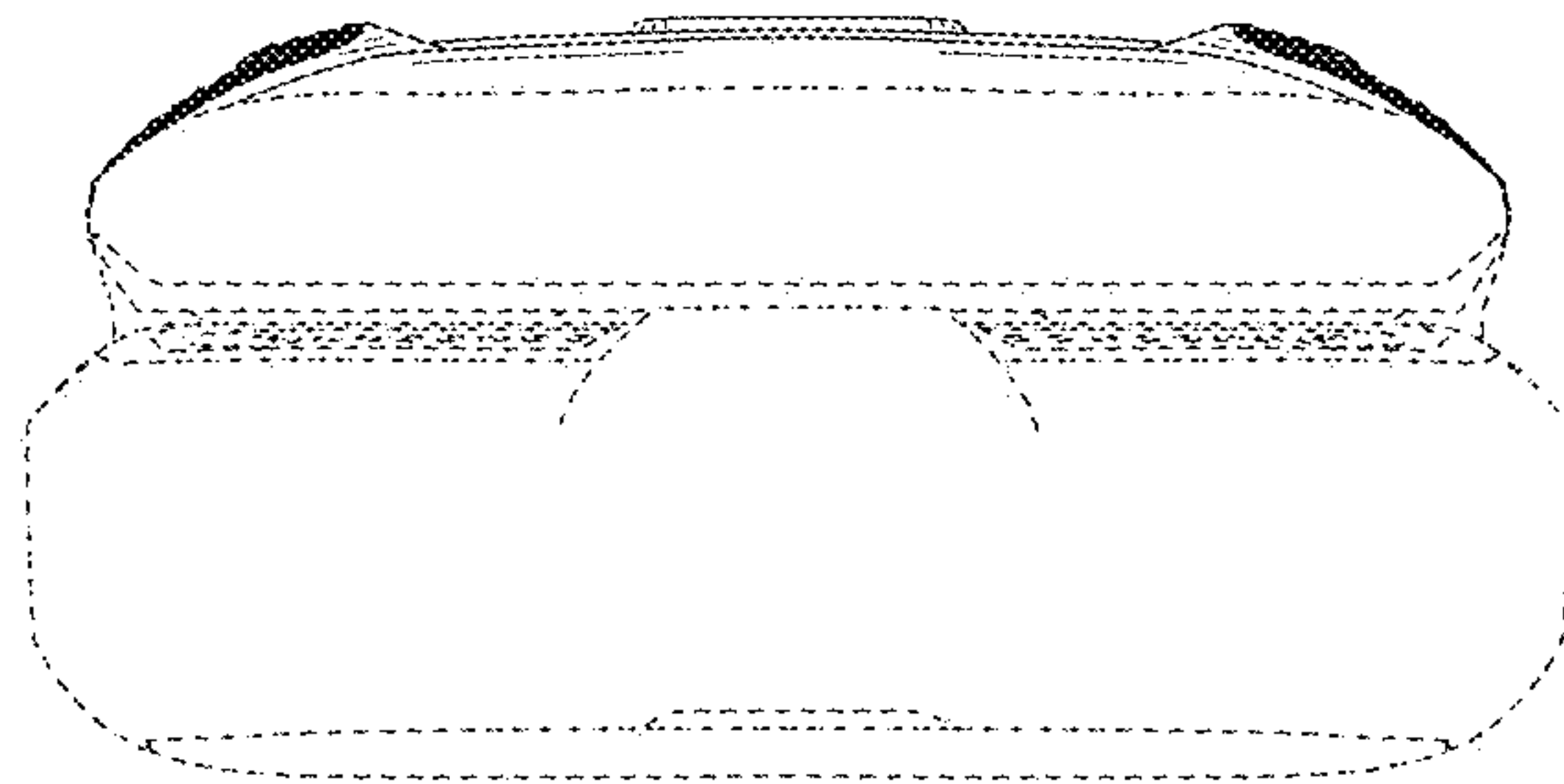


FIG. 9

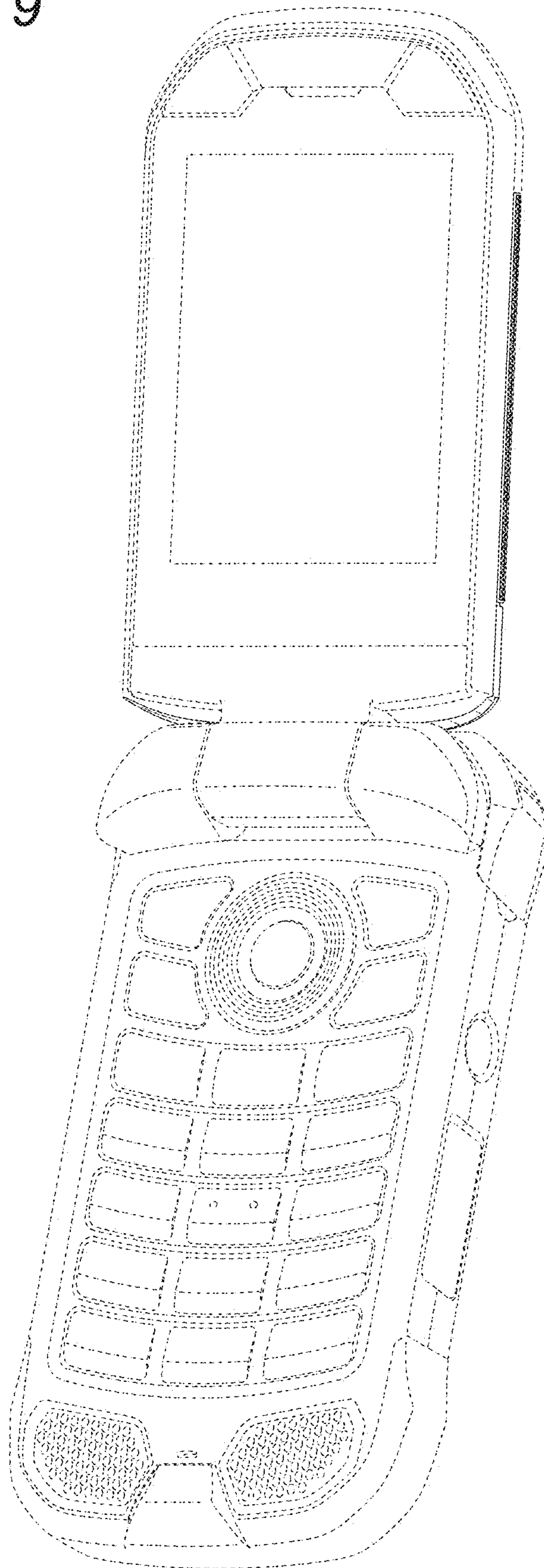


FIG. 10

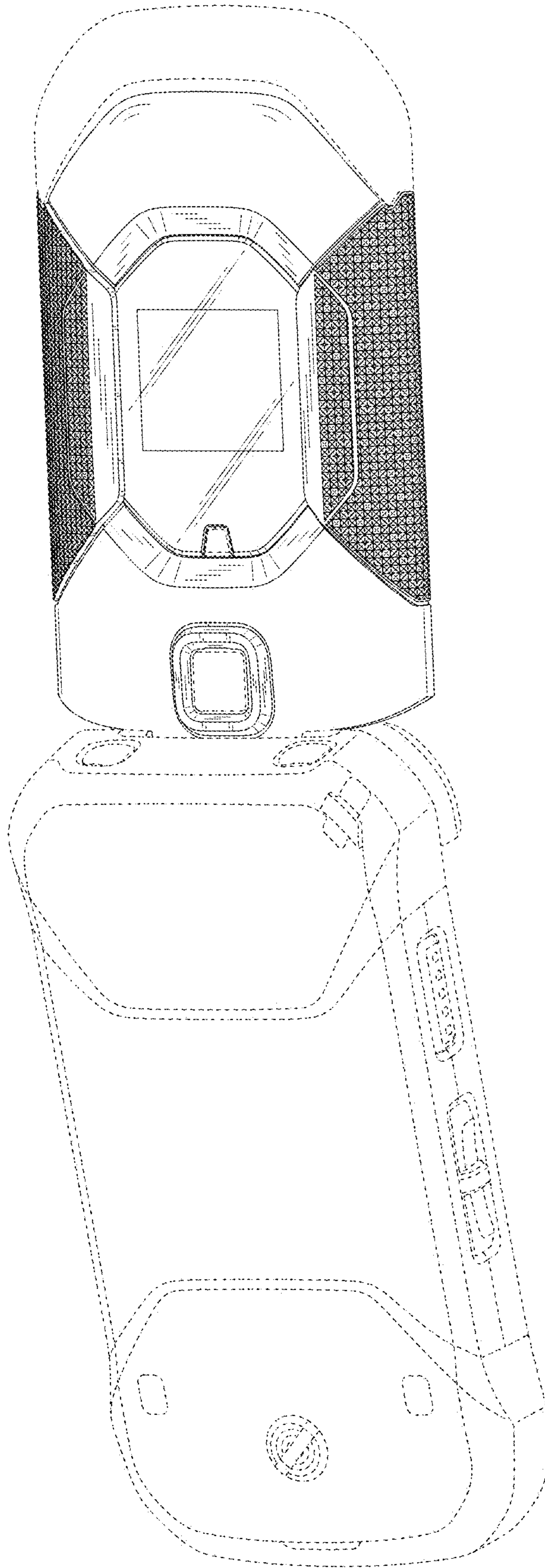


FIG. 11

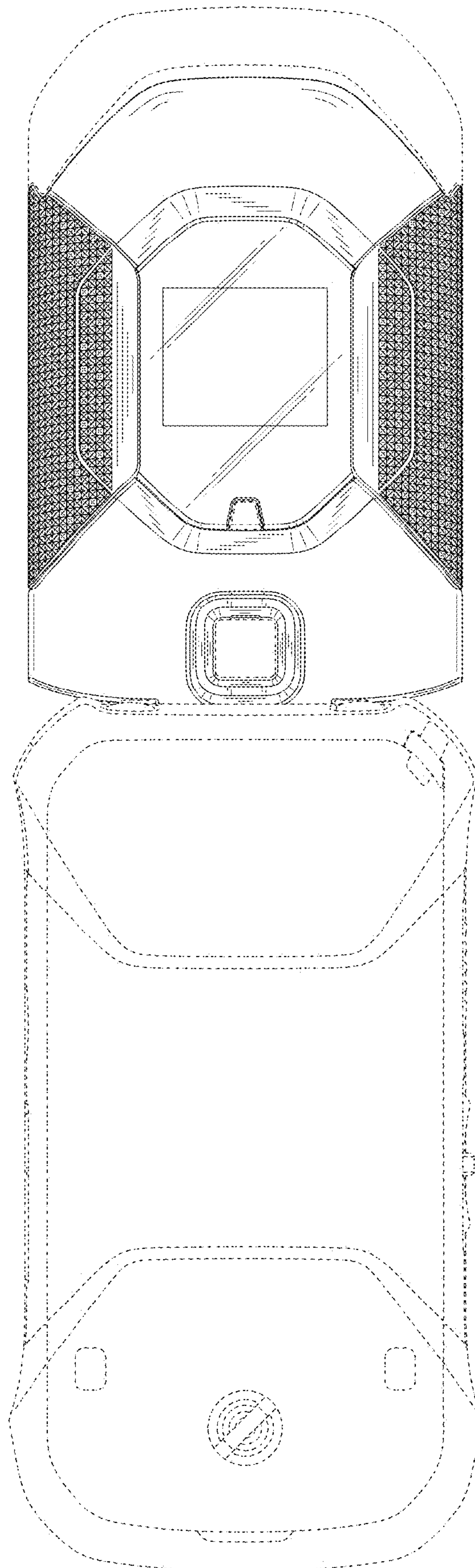


FIG. 12

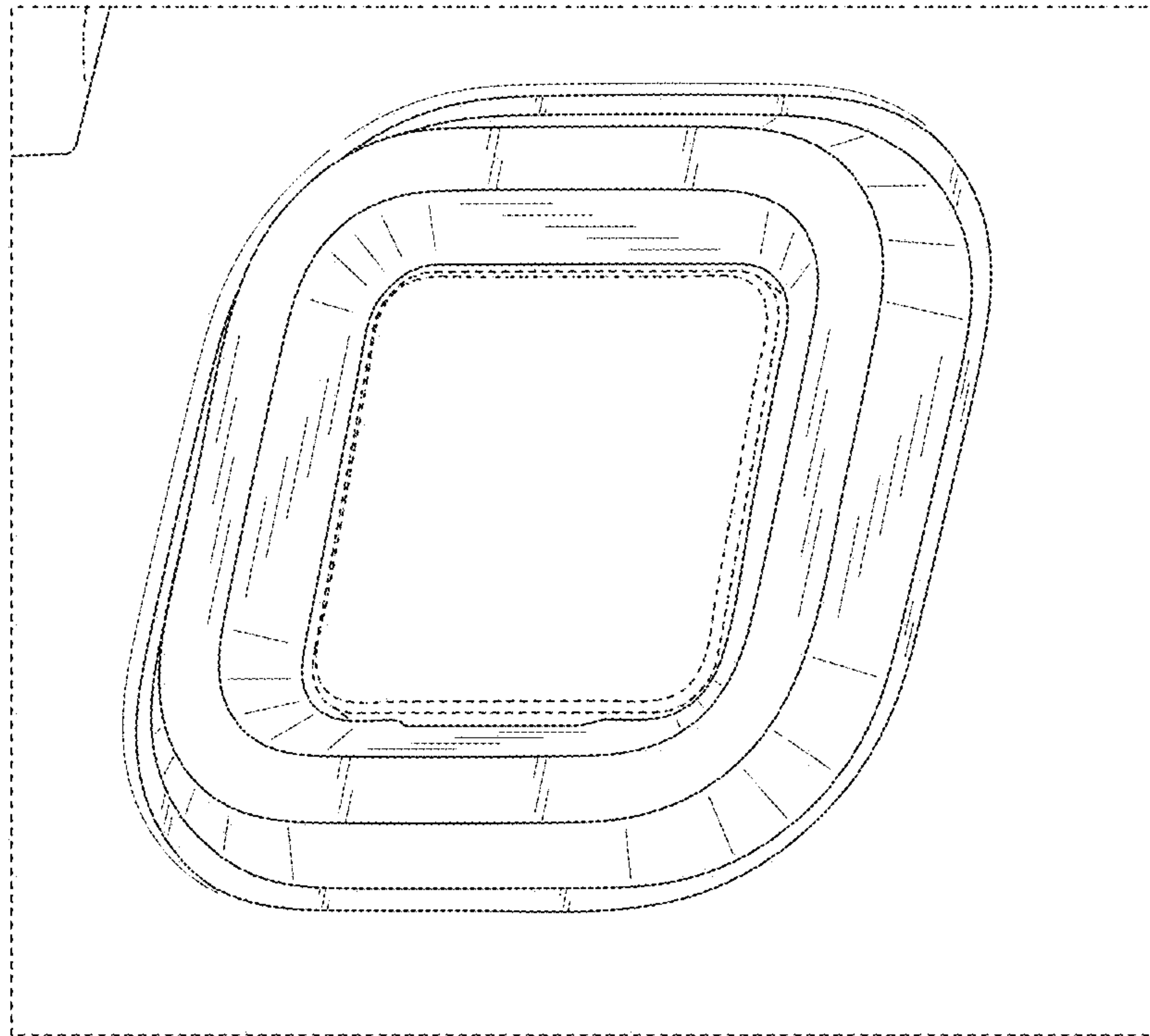


FIG. 13

