



US00D969767S

(12) **United States Design Patent** (10) **Patent No.:** **US D969,767 S**
McConnell et al. (45) **Date of Patent:** **** Nov. 15, 2022**

(54) **DISPLAY APPLIANCE VENT PATTERN**

D771,180 S * 11/2016 Jenkins D18/4.5
D771,181 S 11/2016 Jung et al.
D784,270 S * 4/2017 Bhattacharya D13/163
(Continued)

(71) Applicant: **WHIRLPOOL CORPORATION**,
Benton Harbor, MI (US)

(72) Inventors: **John W. McConnell**, St. Joseph, MI
(US); **Yifan Wang**, St. Joseph, MI (US)

(73) Assignee: **Whirlpool Corporation**, Benton
Harbor, MI (US)

(**) Term: **15 Years**

(21) Appl. No.: **29/796,872**

(22) Filed: **Jun. 28, 2021**

Related U.S. Application Data

(62) Division of application No. 29/675,927, filed on Jan.
7, 2019, now Pat. No. Des. 927,439.

(51) **LOC (13) Cl.** **14-03**

(52) **U.S. Cl.**
USPC **D14/126**; D14/496

(58) **Field of Classification Search**
USPC ... D14/126-127, 138 AA, 138 AB, 138 AC,
D14/138 AD, 138 C, 138 G, 248,
D14/315-318, 341-347, 371, 374;
D6/308, 310; D10/50, 65, 70, 78, 83, 87,
D10/92, 98, 104.1; D18/6-7; D19/26,
D19/59-60; D21/324, 329-330, 332;
D12/114, 223
CPC ... H04M 1/0202; H04M 1/0266; H04M 1/725
See application file for complete search history.

(56) **References Cited**

U.S. PATENT DOCUMENTS

D608,547 S * 1/2010 Peng D6/310
D618,192 S 6/2010 Huang et al.
D635,944 S 4/2011 Chien et al.
D702,658 S 4/2014 Kim et al.

FOREIGN PATENT DOCUMENTS

CA 201850 * 1/2022
CN 201630503061 3/2017
(Continued)

OTHER PUBLICATIONS

At CES 2019 . . . , Jan. 8, 2019, [retrieved Mar. 10, 2022], Retrieved
from Internet, URL: <https://www.digitaltrends.com/home/kitchenaid-
smart-display-ces-2019/> (Year: 2019).*
(Continued)

Primary Examiner — Messina L Smith
Assistant Examiner — Aram Kwon
(74) *Attorney, Agent, or Firm* — McGarry Bair PC

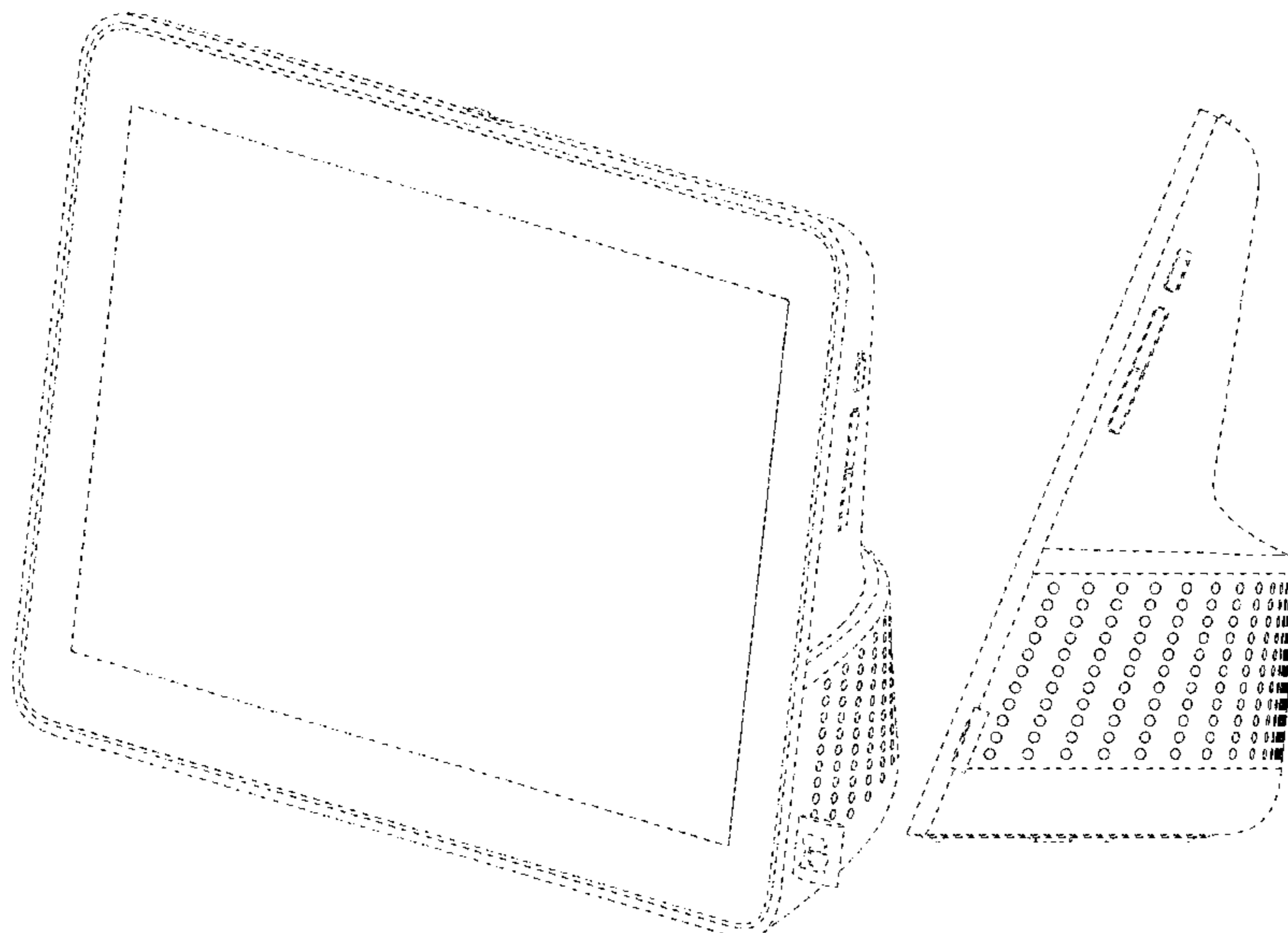
(57) **CLAIM**

The ornamental design for a display appliance vent pattern,
as shown and described.

DESCRIPTION

FIG. 1 is a top perspective view of a display appliance vent
pattern, showing our new design;
FIG. 2 is a top view thereof;
FIG. 3 is a rear view thereof;
FIG. 4 is a left side view thereof; and,
FIG. 5 is a right side view thereof.
Portions of the display appliance vent pattern shown in
broken lines form no part of the claimed design. Portions of
the display appliance vent pattern shown in broken lines
form no part of the claimed design. The plane upon which
the circular features that form the vent pattern sit forms no
part of the claimed design.

1 Claim, 5 Drawing Sheets



(56)

References Cited

U.S. PATENT DOCUMENTS

D806,698	S	*	1/2018	Thompson	D14/307
D811,383	S	*	2/2018	Diasabeygunawardena	D14/336
D811,384	S	*	2/2018	Diasabeygunawardena	D14/336
D850,440	S	*	6/2019	Gentle	D14/336
D856,410	S		8/2019	Lee		
D857,007	S	*	8/2019	Pitallano	D14/307
D871,500	S	*	12/2019	Balar	D18/4.5
D882,567	S	*	4/2020	Parfitt	D14/371
D891,428	S	*	7/2020	Taylor	D14/371
D927,439	S	*	8/2021	McConnell	D14/126
D933,067	S	*	10/2021	Parfitt	D14/371
D934,192	S	*	10/2021	Huang	D14/214
2010/0118327	A1		5/2010	Caspar et al.		
2016/0327300	A1*		11/2016	Ribbich	F24F 11/30
2019/0066076	A1		2/2019	Lee et al.		

FOREIGN PATENT DOCUMENTS

CN	305432641	*	11/2019
IN	307215-0001	*	5/2020
KR	3020190012090		6/2020

OTHER PUBLICATIONS

Hey Google, Can KitchenAid's Smart Display Teach Me How to Cook?, Jan. 9, 2019, [retrieved Mar. 10, 2022], Retrieved from

Internet, URL: <<https://www.pcmag.com/news/hey-google-can-kitchenaids-smart-display-teach-me-how-to-cook>> (Year: 2019).*

KitchenAid is diving into the smart home pool . . . , Jan. 8, 2019, [retrieved Mar. 10, 2022], Retrieved from Internet, URL: <<https://www.gadgetmatch.com/kitchenaid-is-diving-into-the-smart-home-pool-with-its-new-smart-display/>> (Year: 2019).*

KitchenAid's new Smart Display . . . , Jan. 6, 2019, [retrieved Mar. 10, 2022], Retrieved from Internet, URL: <<https://www.theverge.com/2019/1/6/18168917/kitchenaid-google-assistant-smart-display-splash-resistant-cooking-price-specs-features>> (Year: 2019).*

KitchenAid's Google Assistant speaker, Jan. 6, 2019, [retrieved Mar. 10, 2022], Retrieved from Internet, URL: <<https://www.theambient.com/news/kitchenaid-smart-display-release-date-specs-price-1275>> (Year: 2019).*

KitchenAid's Smart Display is a tablet that fears no faucet, Jan. 6, 2019, [retrieved Mar. 10, 2022], Retrieved from Internet, URL: <<https://www.engadget.com/2019-01-06-kitchenaids-smart-display-is-a-tablet-that-fears-no-faucet.html>> (Year: 2019).*

KitchenAid's new Smart Display, Jan. 6, 2019 [online], [retrieved Jul. 23, 2020], Retrieved from Internet, URL: <<https://www.theverge.com/2019/1/6/18168917/kitchenaid-google-assistant-smart-display-splash-resistant-cooking-price-specs-features>> (Year: 2019).

Smart displays let Amazon, Facebook, Google show you answers to your questions, Jul. 4, 2019 [online], [retrieved Jul. 23, 2020], Retrieved from Internet, URL: ,<https://www.cnet.com/pictures/smart-displays-let-amazon-facebook-and-google-show-you-the-answers-to-your-questions/>> (Year: 2019).

* cited by examiner

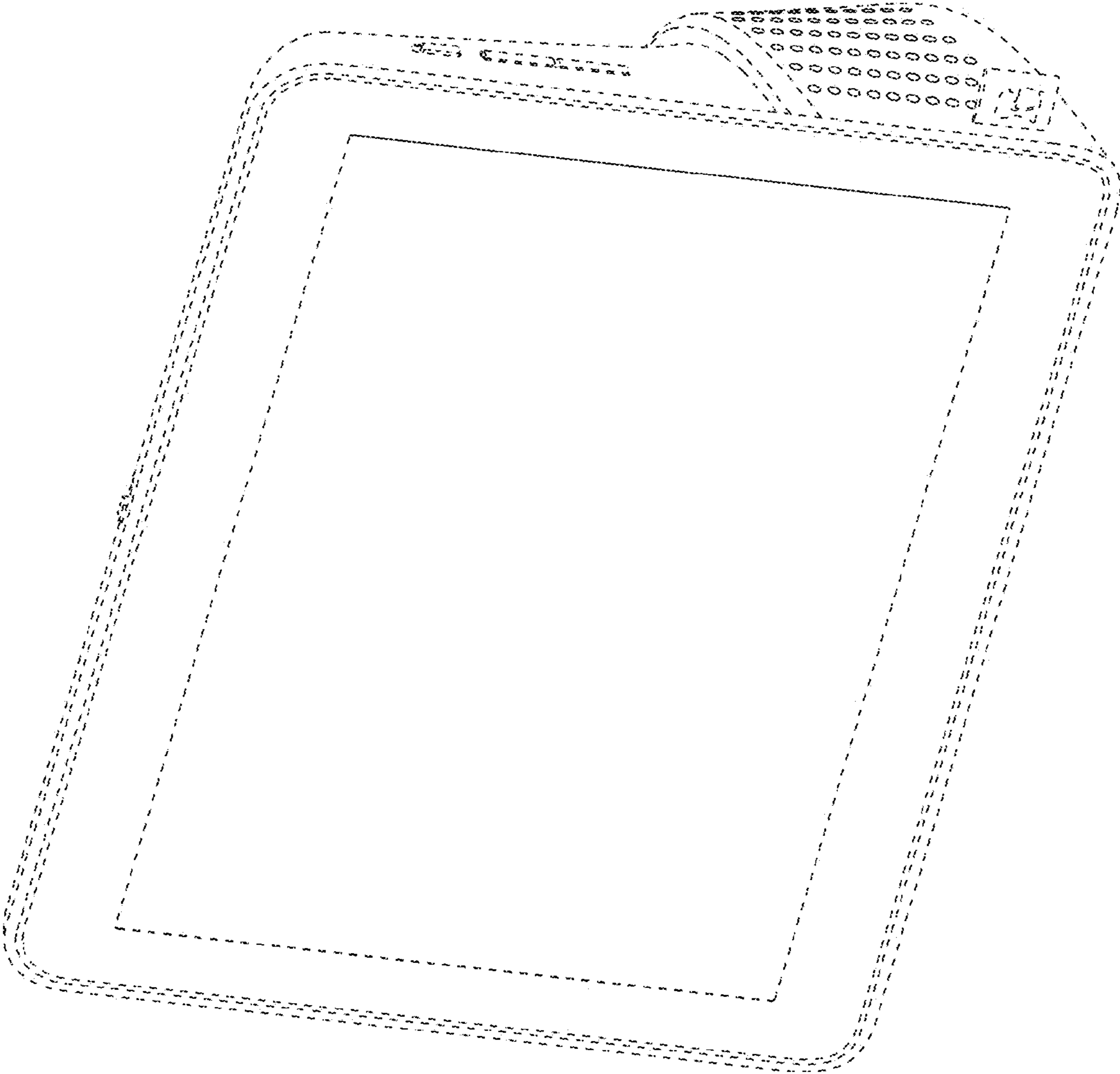


FIG. 1

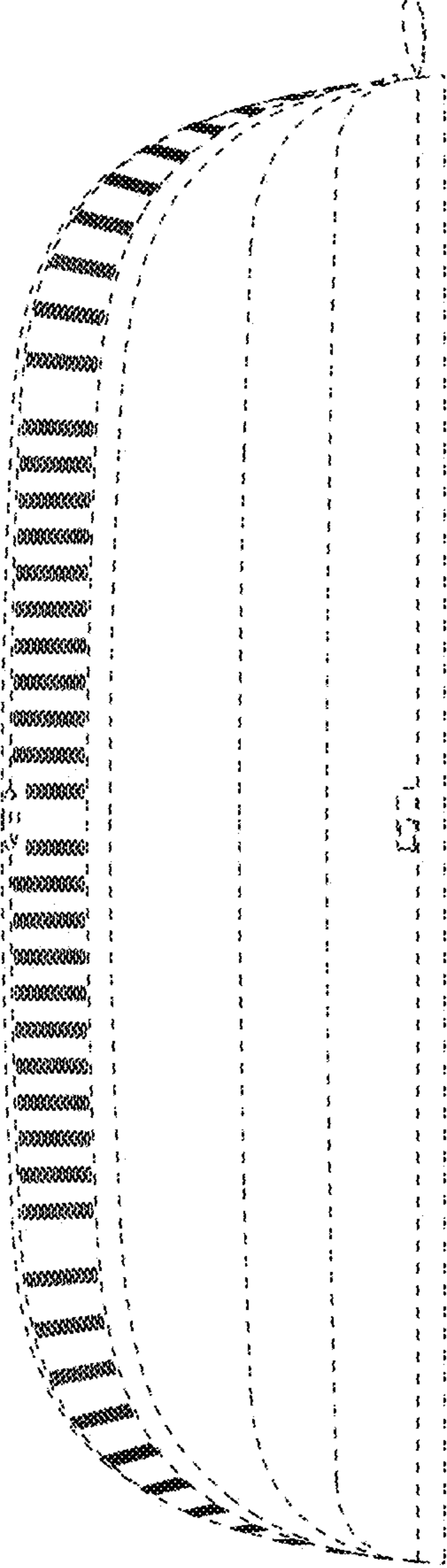


FIG. 2

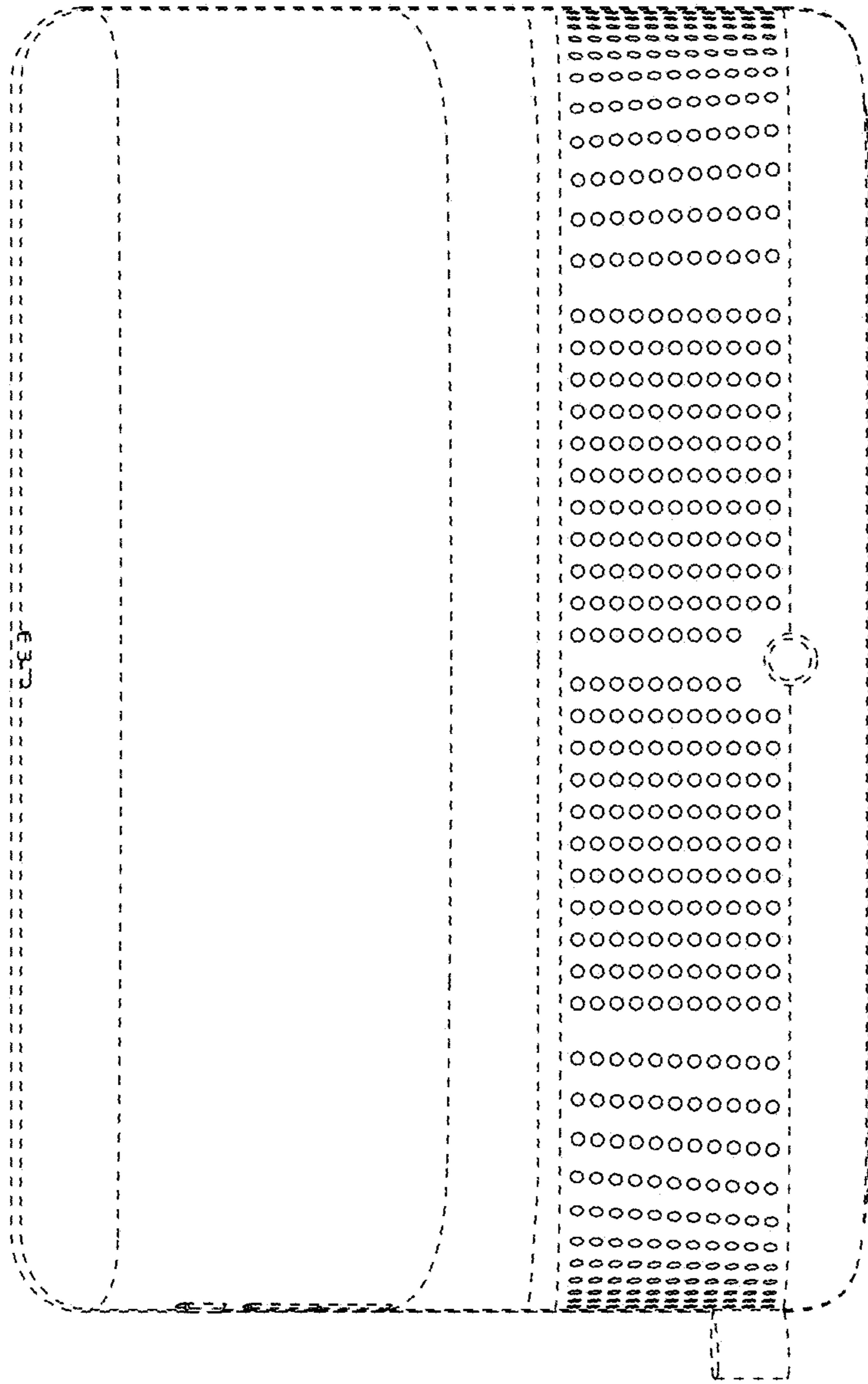


FIG. 3

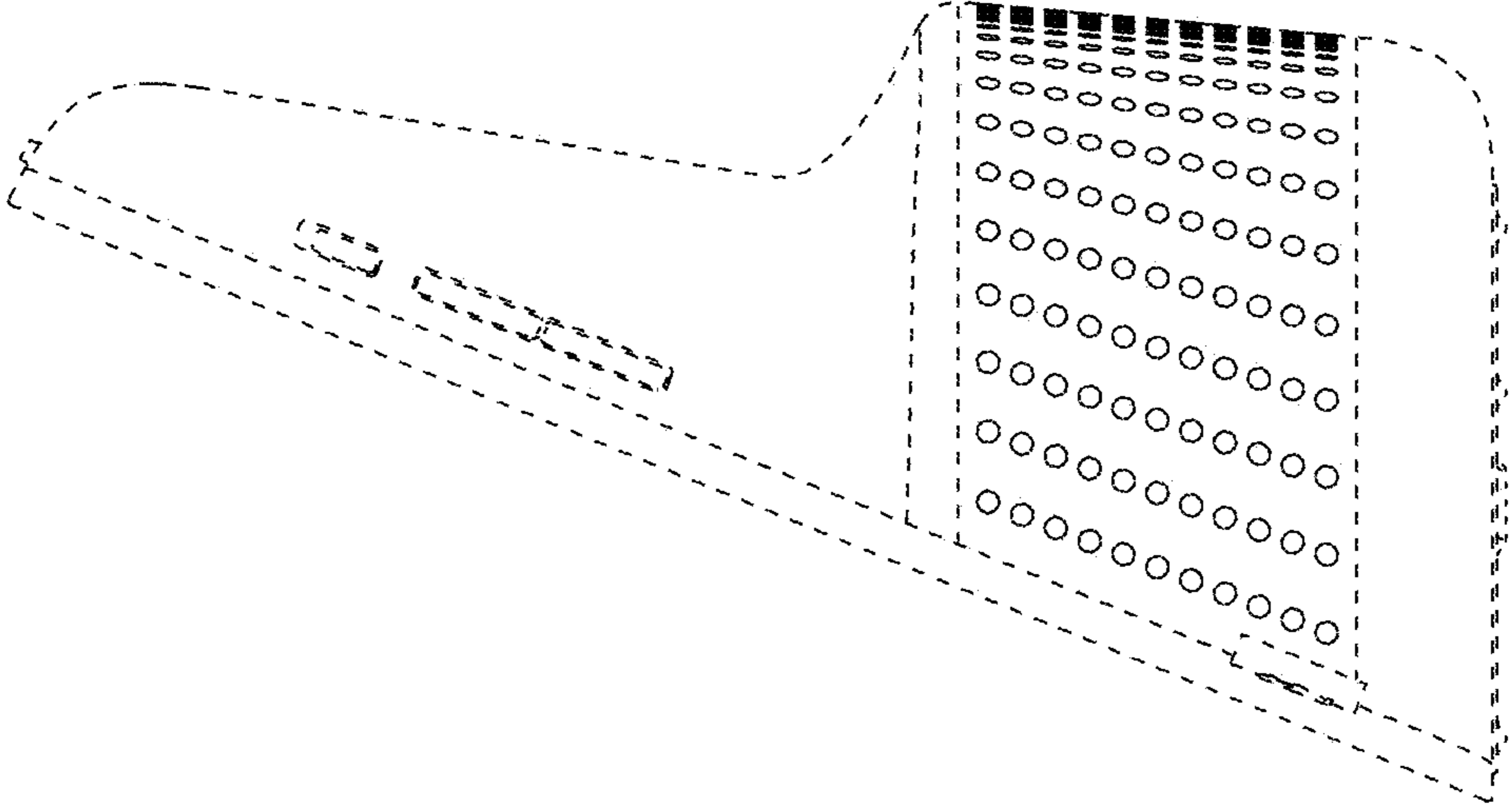


FIG. 4

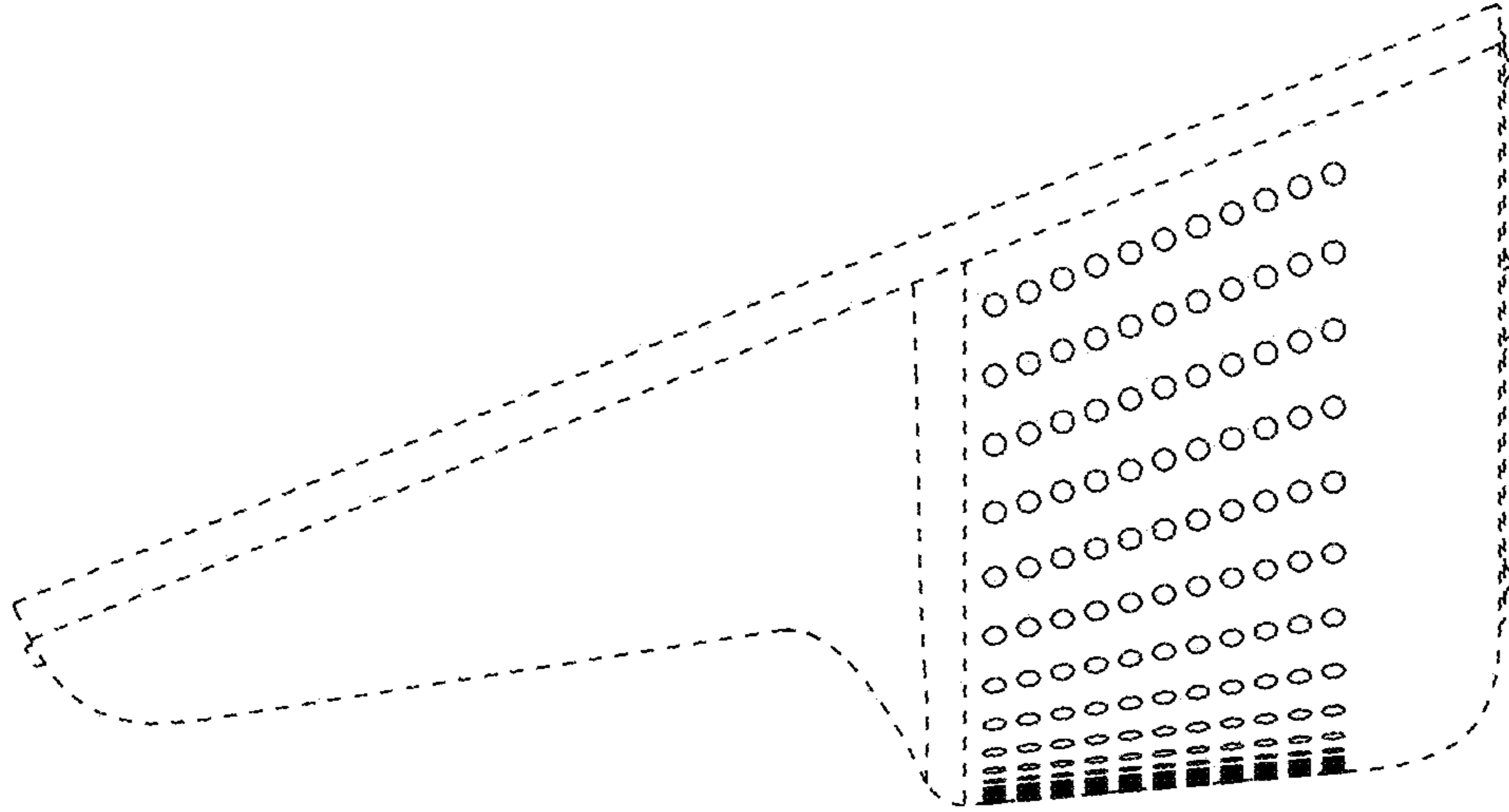


FIG. 5