



US00D969766S

(12) **United States Design Patent** (10) **Patent No.:** **US D969,766 S**
Gräber (45) **Date of Patent:** **** Nov. 15, 2022**

(54) **TELEVISION**

D639,266 S * 6/2011 DeLorenzo D14/142
D639,267 S * 6/2011 DeLorenzo D14/142
D699,697 S * 2/2014 Moon D14/126

(71) Applicant: **SAMSUNG ELECTRONICS CO., LTD.**, Suwon-si (KR)

(Continued)

(72) Inventor: **Fritz Jakob Gräber**, Zürich (CH)

FOREIGN PATENT DOCUMENTS

(73) Assignee: **SAMSUNG ELECTRONICS CO., LTD.**, Gyeonggi-Do (KR)

EM 000346648-0002 7/2005
EM 001377162-0040 8/2013

(Continued)

(**) Term: **15 Years**

OTHER PUBLICATIONS

(21) Appl. No.: **29/739,430**

Samsung Mono, no known date [online], retrieved Jul. 27, 2022, retrieved from internet < <https://www.fritzjakob.ch/9651424/> > (Year: 2022).*

(22) Filed: **Jun. 25, 2020**

(Continued)

(30) **Foreign Application Priority Data**

Dec. 26, 2019 (KR) 30-2019-0063156

(51) **LOC (13) Cl.** **14-03**

(52) **U.S. Cl.**
USPC **D14/126**; D14/341; D14/496

(58) **Field of Classification Search**
USPC ... D14/336, 371, 374, 126, 129, 496, 203.1, D14/203.7

CPC G06F 1/16; G06F 1/1613; G06F 1/1626; G06F 1/1632; G06F 1/1633; G06F 1/1641; G06F 1/1692; G06F 1/1601; H04B 1/03; H04B 1/08; G06Q 20/00; G06Q 20/08; G06Q 20/20; G06Q 30/0238

See application file for complete search history.

Primary Examiner — Messina L Smith

Assistant Examiner — Rodolfo Castro, Jr.

(74) *Attorney, Agent, or Firm* — Cantor Colburn LLP

(57) **CLAIM**

The ornamental design for a television, as shown and described.

DESCRIPTION

FIG. 1 is a front perspective view of a television, showing my new design;

FIG. 2 is a front view thereof;

FIG. 3 is a rear view thereof;

FIG. 4 is a left-side view thereof;

FIG. 5 is a right-side view thereof;

FIG. 6 is a top view thereof;

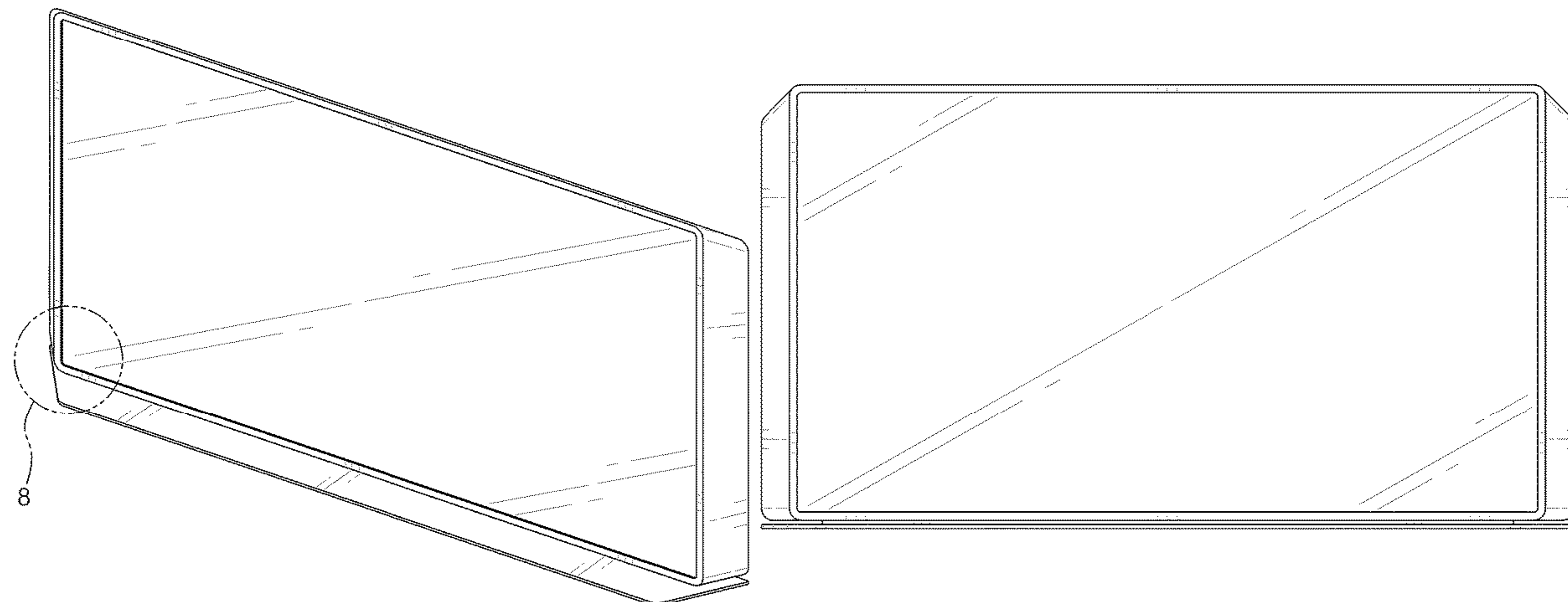
FIG. 7 is a bottom view thereof;

FIG. 8 is an enlarged view of the portion of the television labeled 8, shown in FIG. 1; and,

FIG. 9 is a rear perspective view of the television.

The dot-dot-dash broken lines encircling enlargement portions of the television form no part of the claimed design.

1 Claim, 7 Drawing Sheets



(56)

References Cited

U.S. PATENT DOCUMENTS

D738,332 S * 9/2015 Kim D14/126
 D756,322 S * 5/2016 Østensen D14/126
 D756,945 S * 5/2016 Kim D14/126
 D781,292 S * 3/2017 Bae D14/374
 D786,836 S * 5/2017 Leabman D14/230
 D813,868 S * 3/2018 Jou D10/104.1
 D825,496 S * 8/2018 Yagisawa D14/218
 D830,983 S * 10/2018 Park D14/126
 D845,262 S * 4/2019 Shin D14/126
 D848,965 S * 5/2019 Kim D14/126
 D848,966 S 5/2019 Kim et al.
 D848,968 S * 5/2019 Kim D14/126
 D864,773 S * 10/2019 Zhang D10/52

FOREIGN PATENT DOCUMENTS

GB 8205596000_2000 * 8/2019
 GB 8205021000_1000 * 10/2019
 JP D1621288 * 1/2019
 KR 300672805 S 12/2012
 KR 300915392_0000 * 5/2019
 KR 300876146_0000 * 10/2019

OTHER PUBLICATIONS

Fritzjakob Product Design, no known date [online], retrieved Jul. 27, 2022, retrieved from internet < [https://www.pinterest.com/pin/201184308343426659/Pin on Industrial Design \(pinterest.com\)](https://www.pinterest.com/pin/201184308343426659/Pin%20on%20Industrial%20Design%20(pinterest.com)) > (Year: 2022).*

Samsung Mono, Sep. 24, 2020 [online], retrieved Jul. 27, 2022, retrieved from internet < [https://web.archive.org/web/20200924164035/https://www.fritzjakob.ch/9651424/fritzjakob Product Design \(archive.org\)](https://web.archive.org/web/20200924164035/https://www.fritzjakob.ch/9651424/fritzjakob%20Product%20Design%20(archive.org)) > (Year: 2020).*

* cited by examiner

FIG. 1

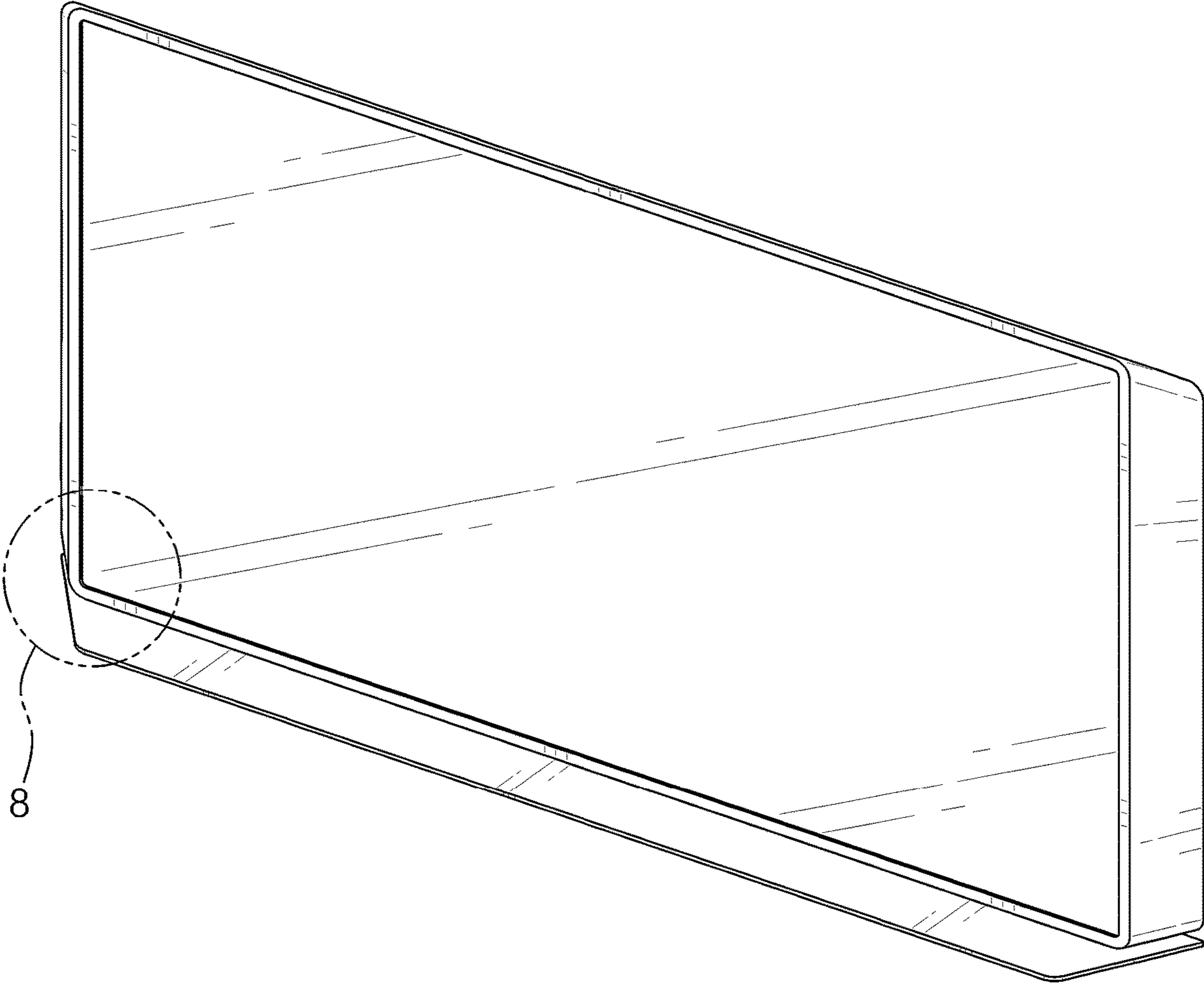


FIG. 2

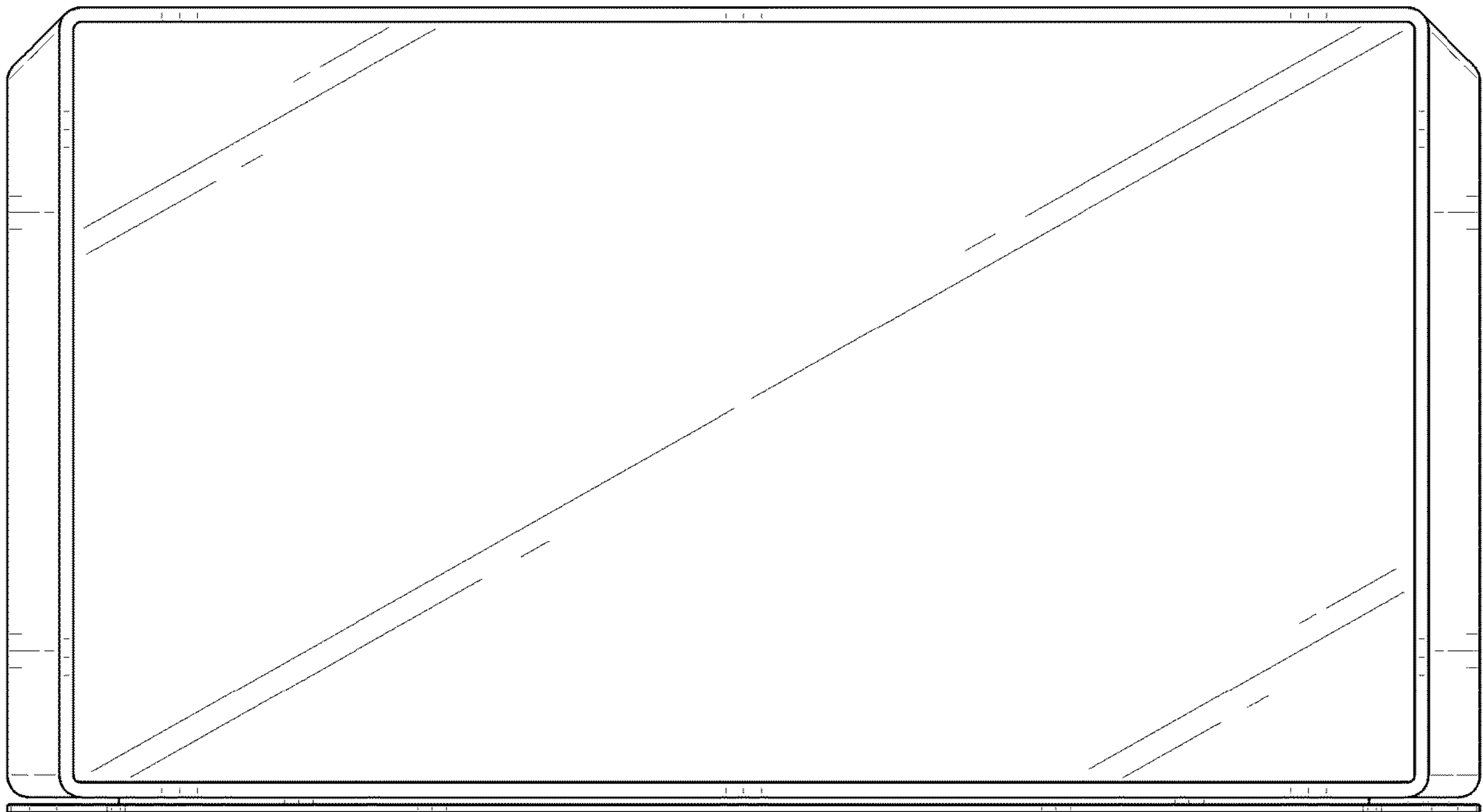


FIG. 3

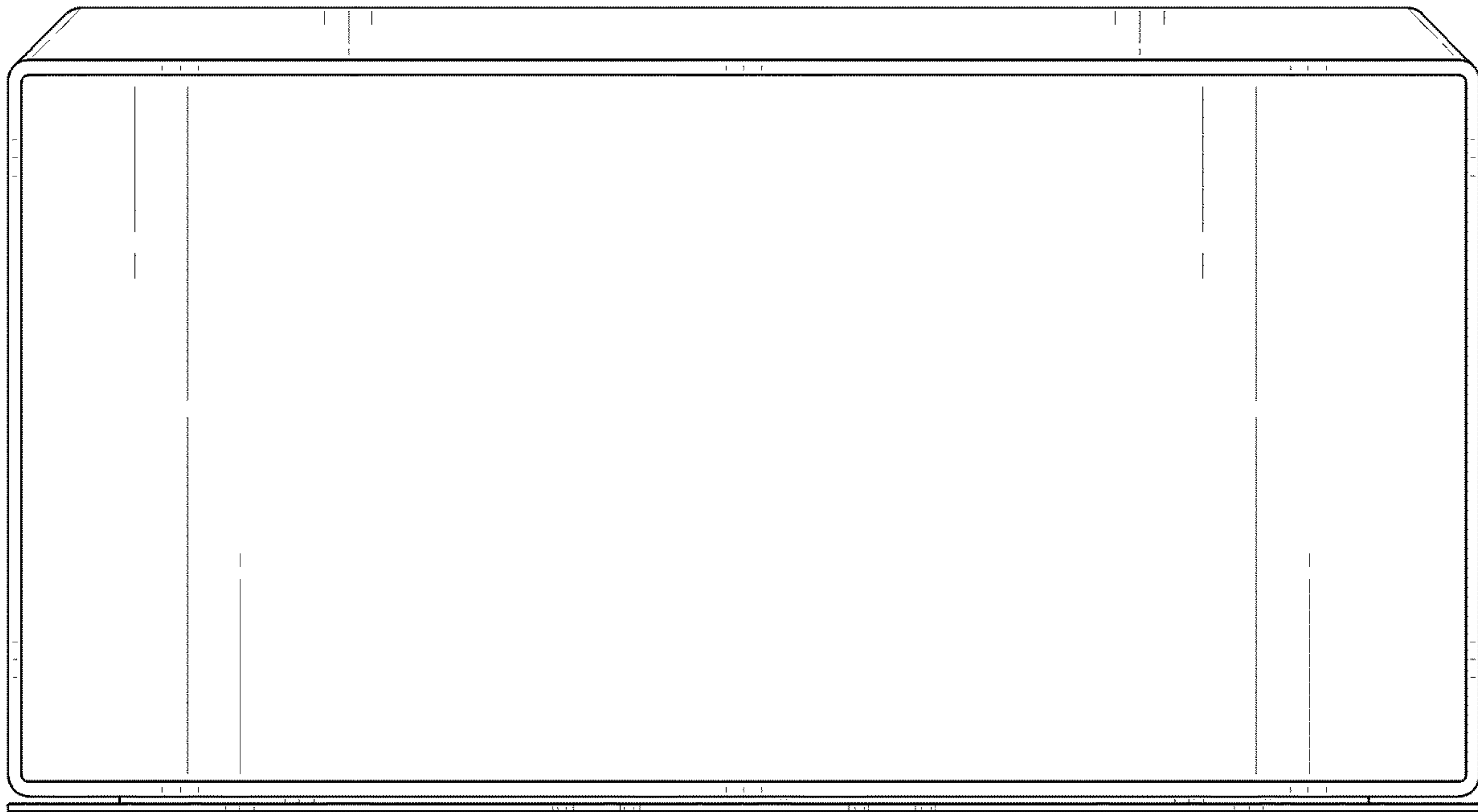


FIG. 4

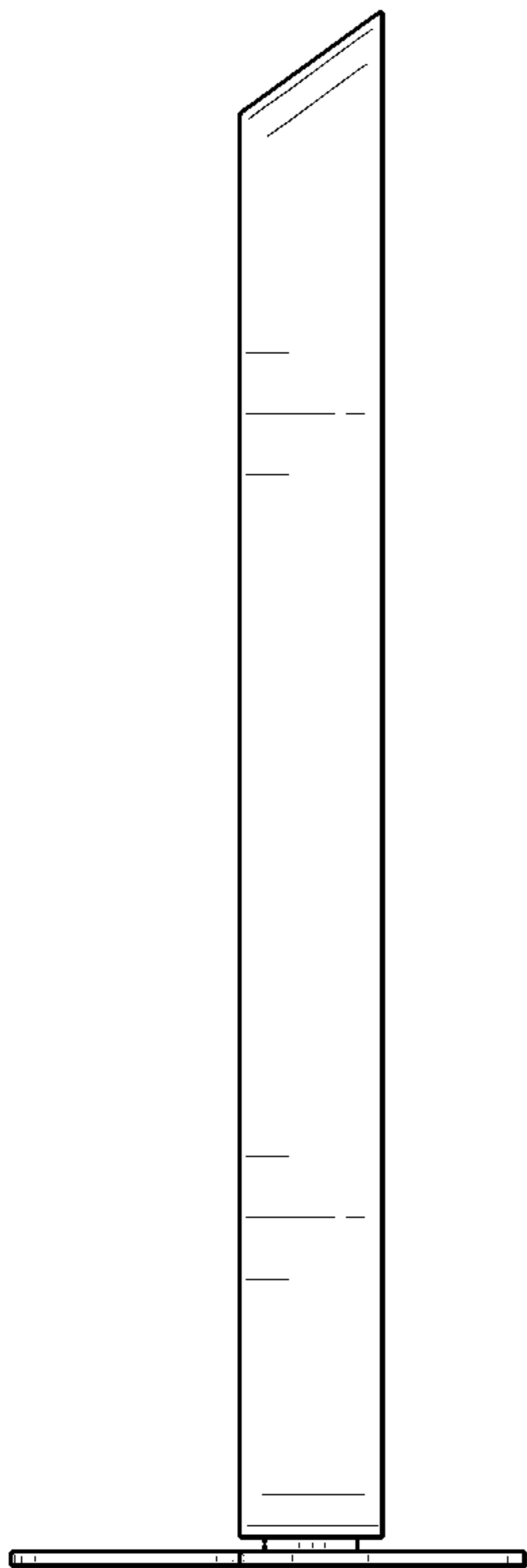


FIG. 5

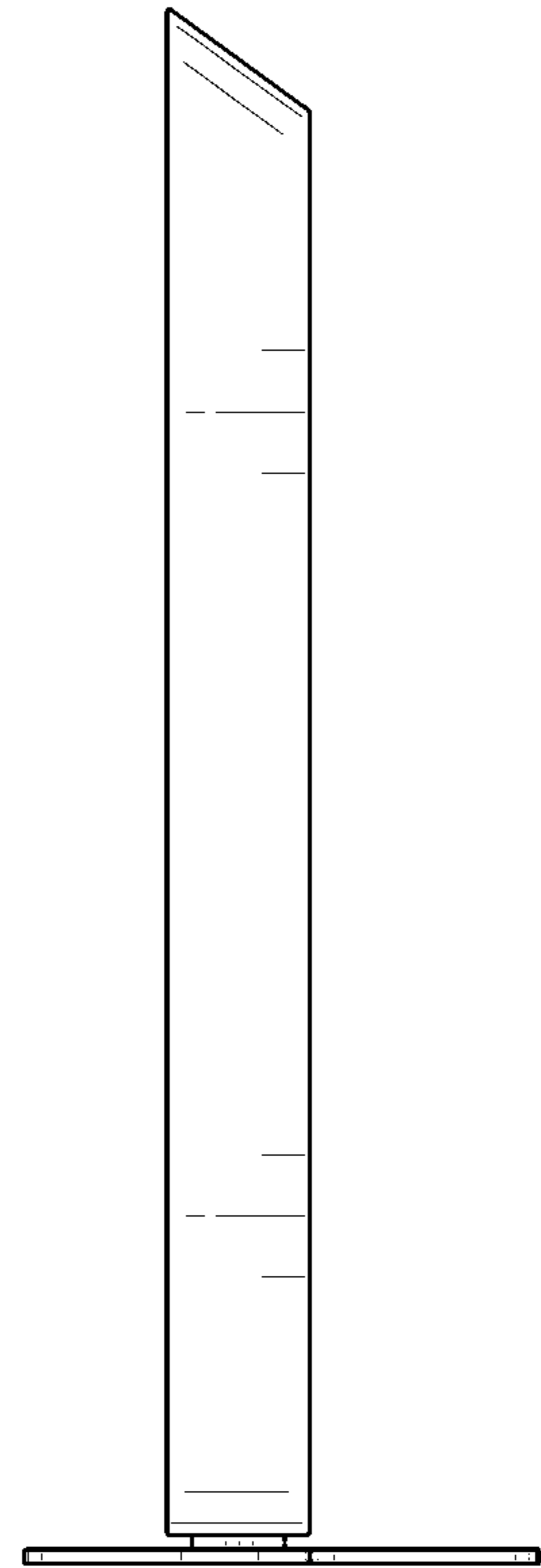


FIG. 6

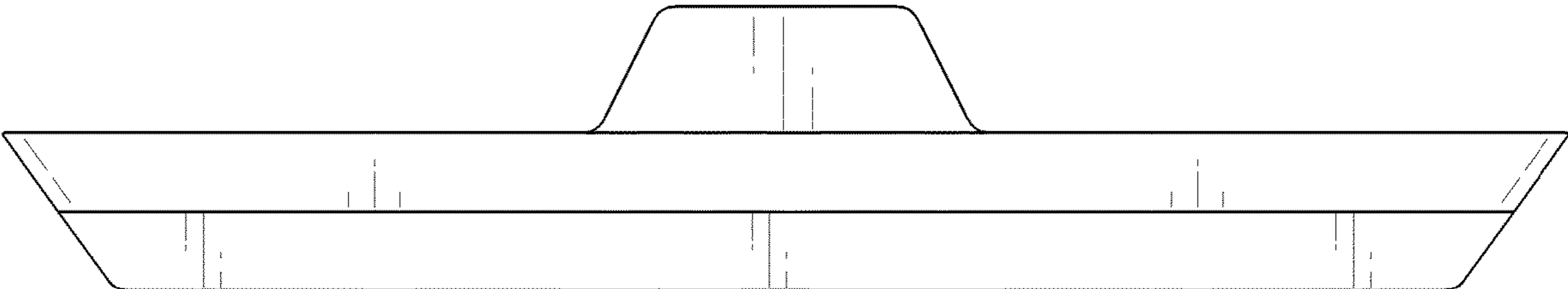


FIG. 7

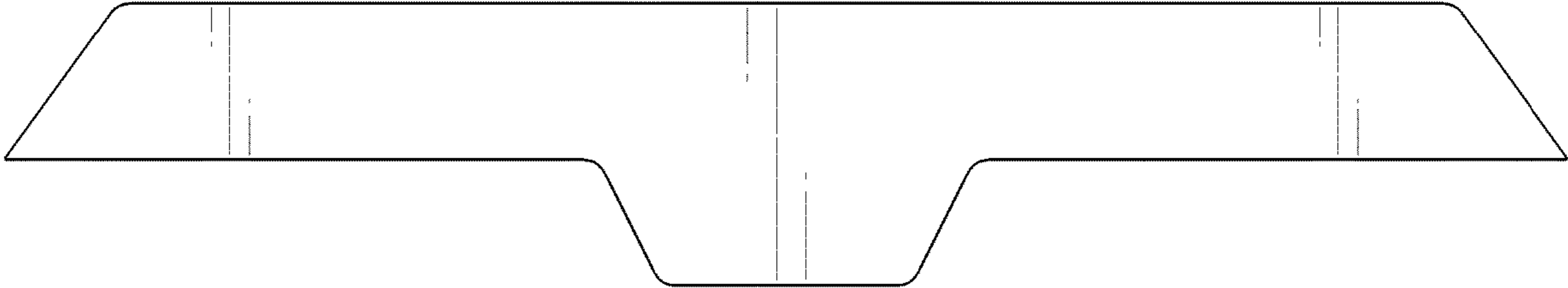


FIG. 8

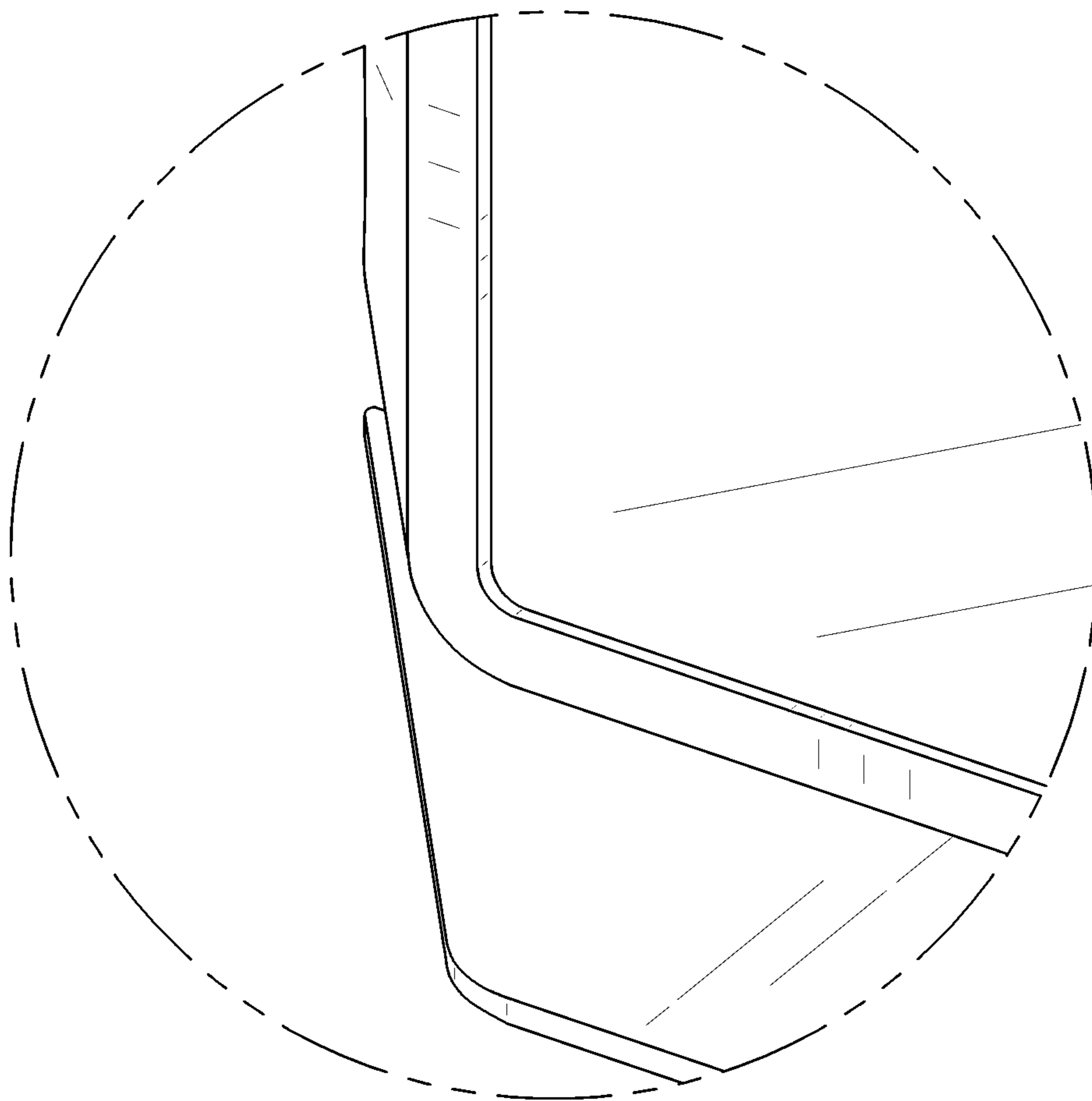


FIG. 9

