



US00D969765S

(12) **United States Design Patent**  
**Herron et al.**

(10) **Patent No.:** **US D969,765 S**

(45) **Date of Patent:** **\*\* Nov. 15, 2022**

(54) **INTERFACE DEVICE**

(71) Applicant: **Virginia Panel Corporation,**  
Waynesboro, VA (US)

(72) Inventors: **Randall Herron,** Waynesboro, VA  
(US); **Randall Garman,** Grottos, VA  
(US); **David Lawrence Rocker,**  
Earlysville, VA (US)

(73) Assignee: **Virginia Panel Corporation,**  
Waynesboro, VA (US)

(\*\*) Term: **15 Years**

(21) Appl. No.: **29/746,317**

(22) Filed: **Aug. 13, 2020**

(51) **LOC (13) Cl.** ..... **13-03**

(52) **U.S. Cl.**  
USPC ..... **D13/184**

(58) **Field of Classification Search**  
USPC ..... D13/184, 199, 133, 149, 150, 151,  
D13/153-156, 158  
CPC ..... H01R 43/26; H01R 13/639; H01R 13/01  
See application file for complete search history.

(56) **References Cited**

**U.S. PATENT DOCUMENTS**

D147,106 S *	7/1947	Bradstock et al.	.....	D13/184
6,174,191 B1 *	1/2001	Maue	.....	H01R 13/62938 439/372
D499,032 S *	11/2004	Khubani	.....	D10/69
7,137,844 B2 *	11/2006	Flowers	.....	H01R 13/6295 439/372
D533,140 S *	12/2006	Motard	.....	D13/156
7,297,014 B1	11/2007	Stowers		
D561,125 S	2/2008	Stowers		
D617,666 S	6/2010	Stowers		
7,938,685 B2 *	5/2011	Zwanger	.....	H01R 13/516 439/372
8,348,693 B2	1/2013	Ashby et al.		

(Continued)

*Primary Examiner* — Keli L Hill

*Assistant Examiner* — Harold E Blackwell, II

(74) *Attorney, Agent, or Firm* — 24IP Law Group USA,  
PLLC; Timothy R DeWitt

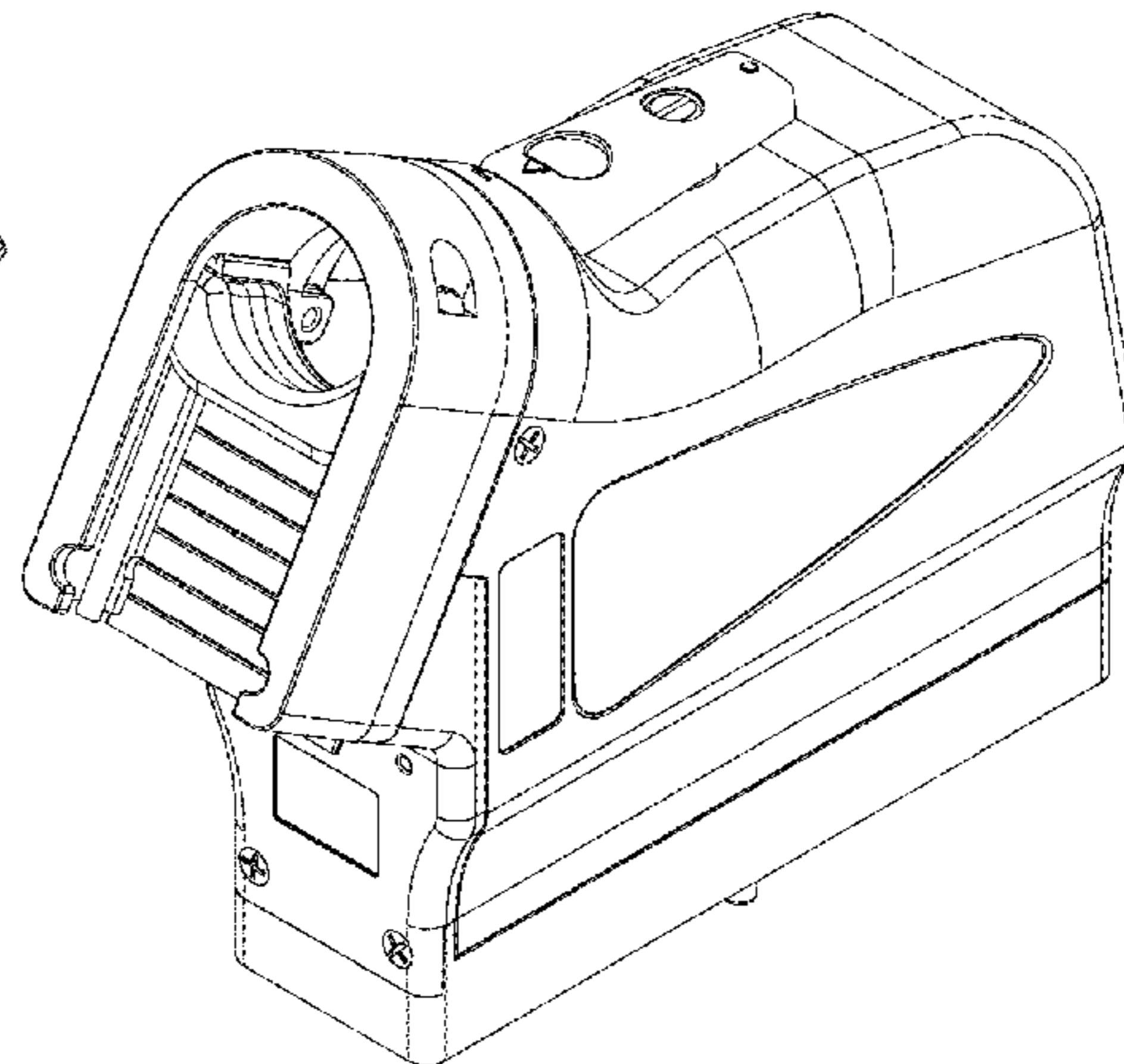
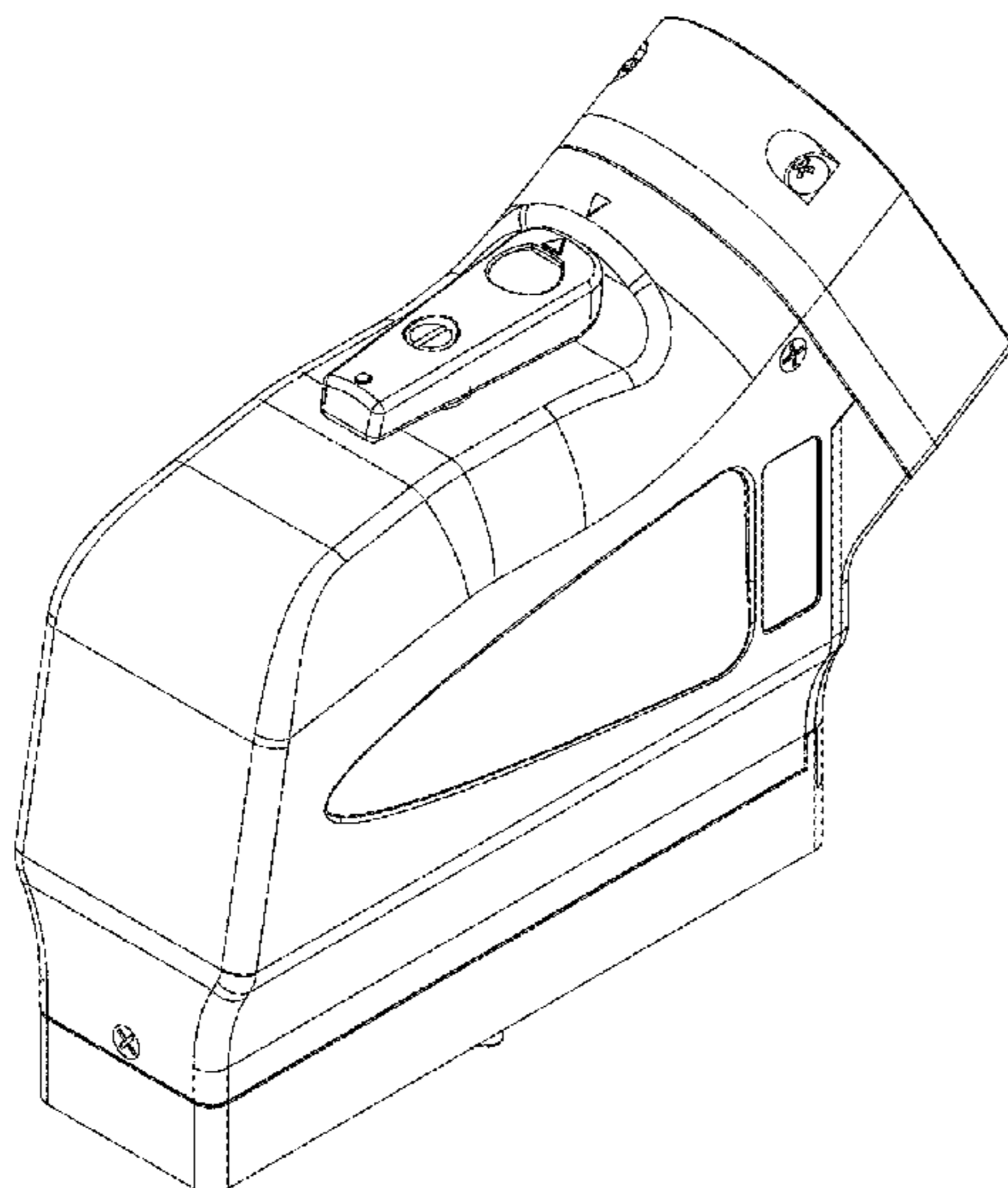
(57) **CLAIM**

The ornamental design for an interface device, as shown and described.

**DESCRIPTION**

FIG. 1 is a top front left side perspective view of an interface device showing our new design;  
 FIG. 2 is a top view of the interface device shown in FIG. 1;  
 FIG. 3 is a bottom view of the interface device shown in FIG. 1;  
 FIG. 4 is a front view of the interface device shown in FIG. 1;  
 FIG. 5 is a rear view of the interface device shown in FIG. 1;  
 FIG. 6 is a left side view of the interface device shown in FIG. 1;  
 FIG. 7 is a right side view of the interface device shown in FIG. 1;  
 FIG. 8 is a bottom front left side perspective view of the interface device shown in FIG. 1;  
 FIG. 9 is a bottom front right side perspective view of the interface device shown in FIG. 1;  
 FIG. 10 is a bottom rear left side perspective view of the interface device shown in FIG. 1;  
 FIG. 11 is a bottom rear right side perspective view of the interface device shown in FIG. 1;  
 FIG. 12 is a top front right side perspective view of the interface device shown in FIG. 1;  
 FIG. 13 is a top rear left side perspective view of the interface device shown in FIG. 1; and,  
 FIG. 14 is a top rear right side perspective view of the interface device shown in FIG. 1.

**1 Claim, 14 Drawing Sheets**



(56)

**References Cited**

U.S. PATENT DOCUMENTS

D719,514 S \* 12/2014 Andresen ..... D13/151  
D744,968 S \* 12/2015 Andresen ..... D13/184  
D745,478 S \* 12/2015 Andresen ..... D13/184  
9,257,787 B2 2/2016 Ashby et al.  
9,350,956 B2 \* 5/2016 Quilter ..... G01N 35/00871  
D947,913 S \* 4/2022 Patil ..... D13/199  
2003/0132743 A1 \* 7/2003 Langouet ..... G01R 1/0416  
324/756.01  
2005/0079749 A1 \* 4/2005 Schmidt ..... H01R 13/5205  
439/275  
2015/0024621 A1 \* 1/2015 Diessel ..... H01R 13/432  
439/353  
2022/0052480 A1 \* 2/2022 Herron ..... H01R 43/26

\* cited by examiner

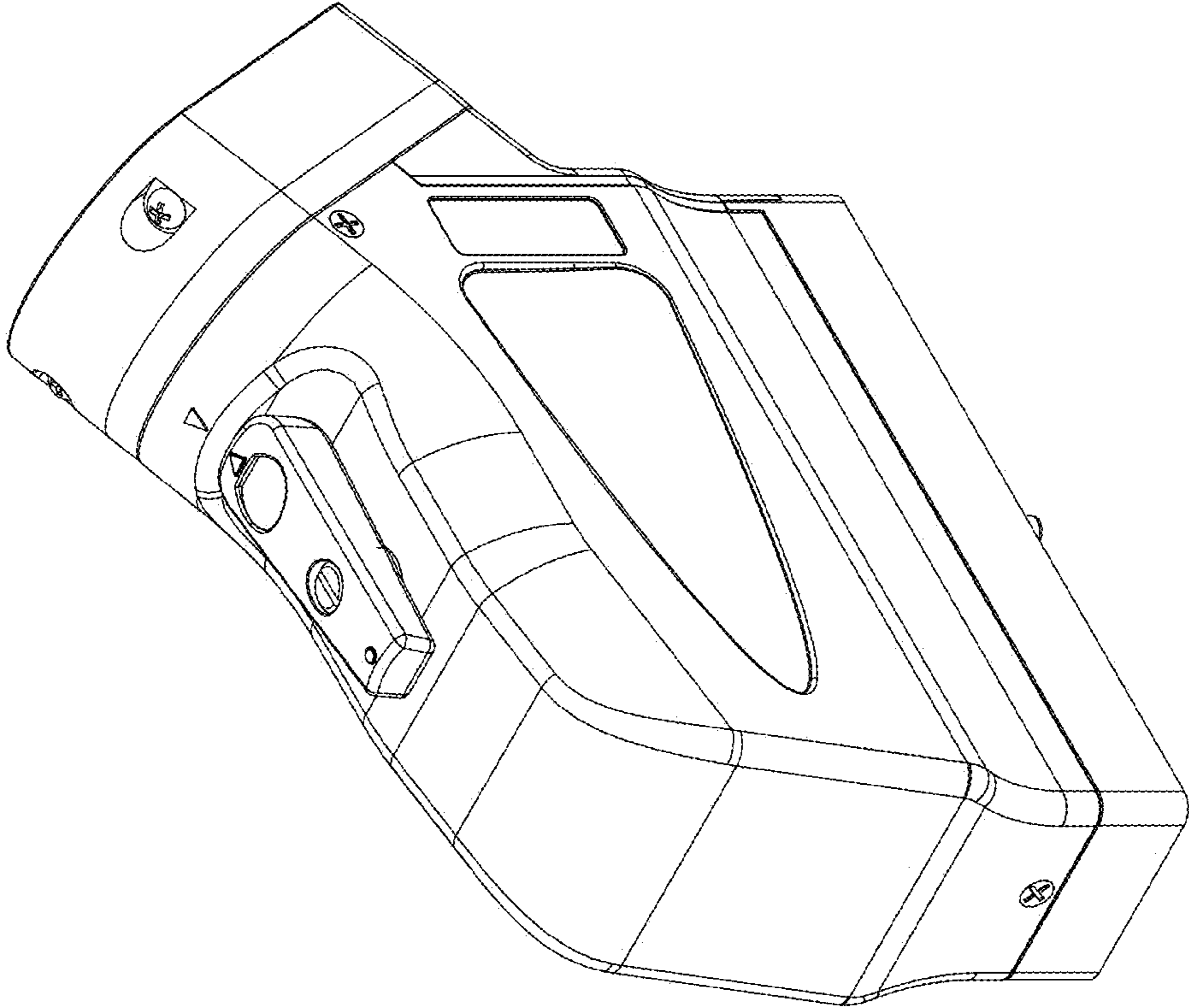


FIG. 1

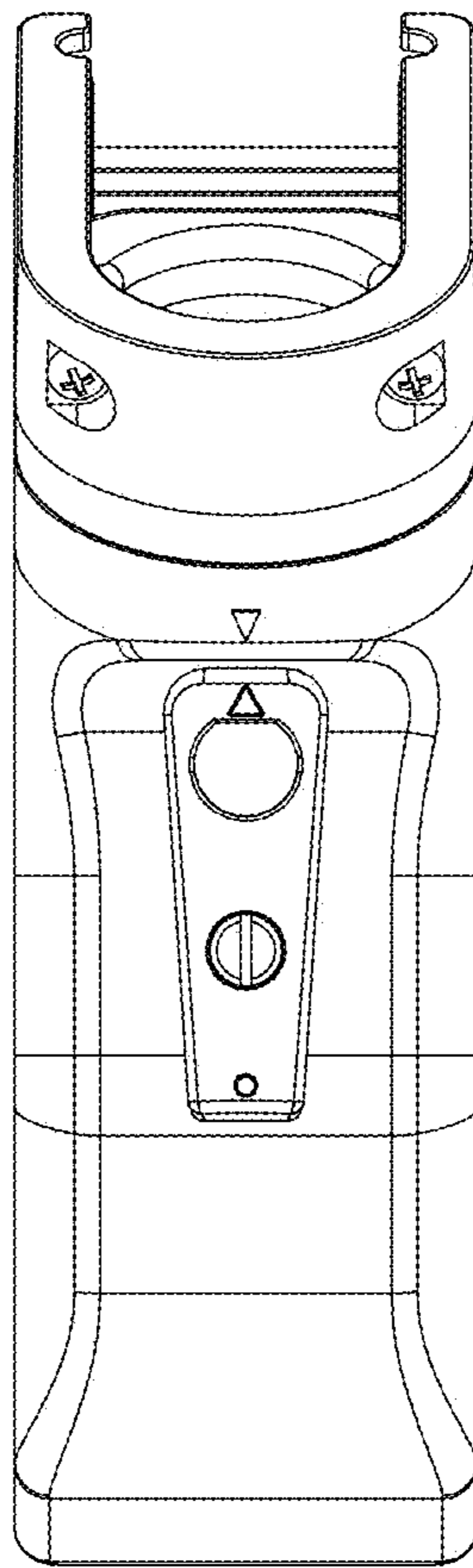


FIG. 2

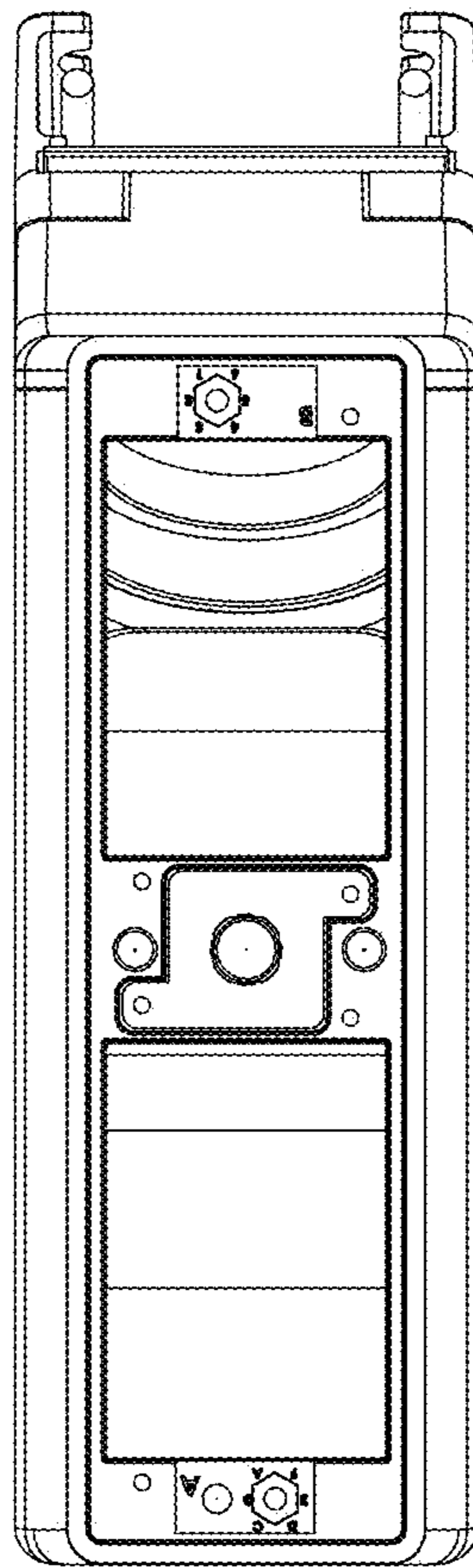


FIG. 3

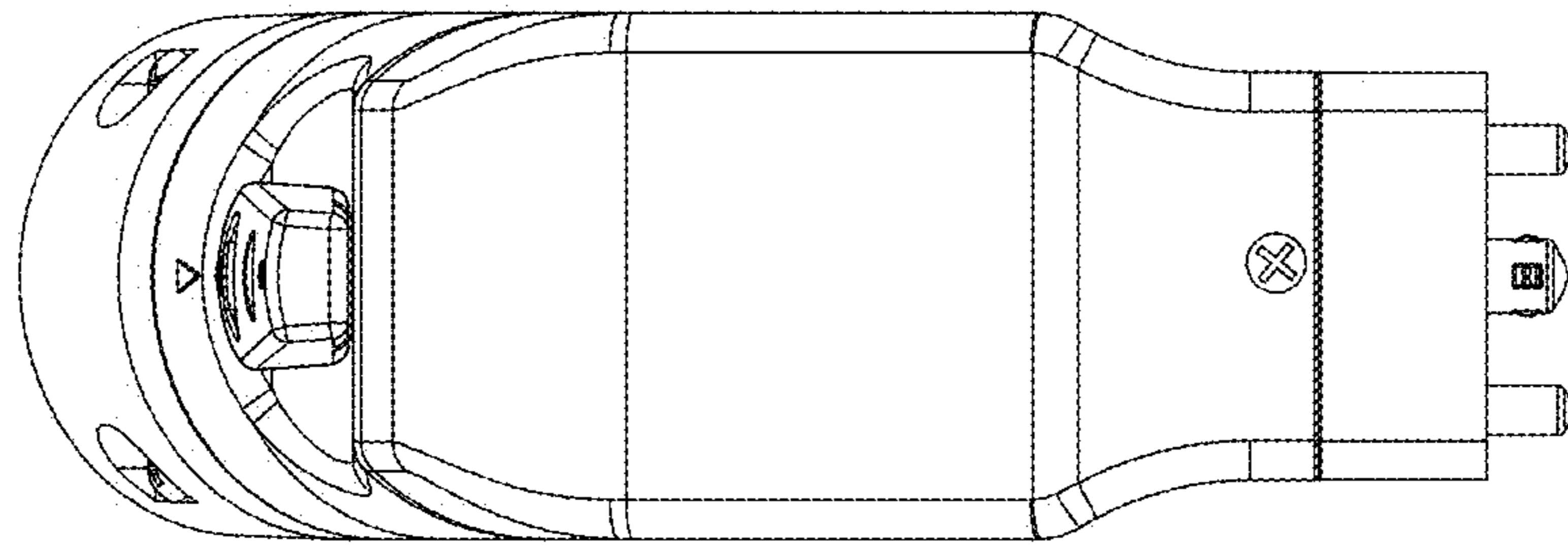


FIG. 4



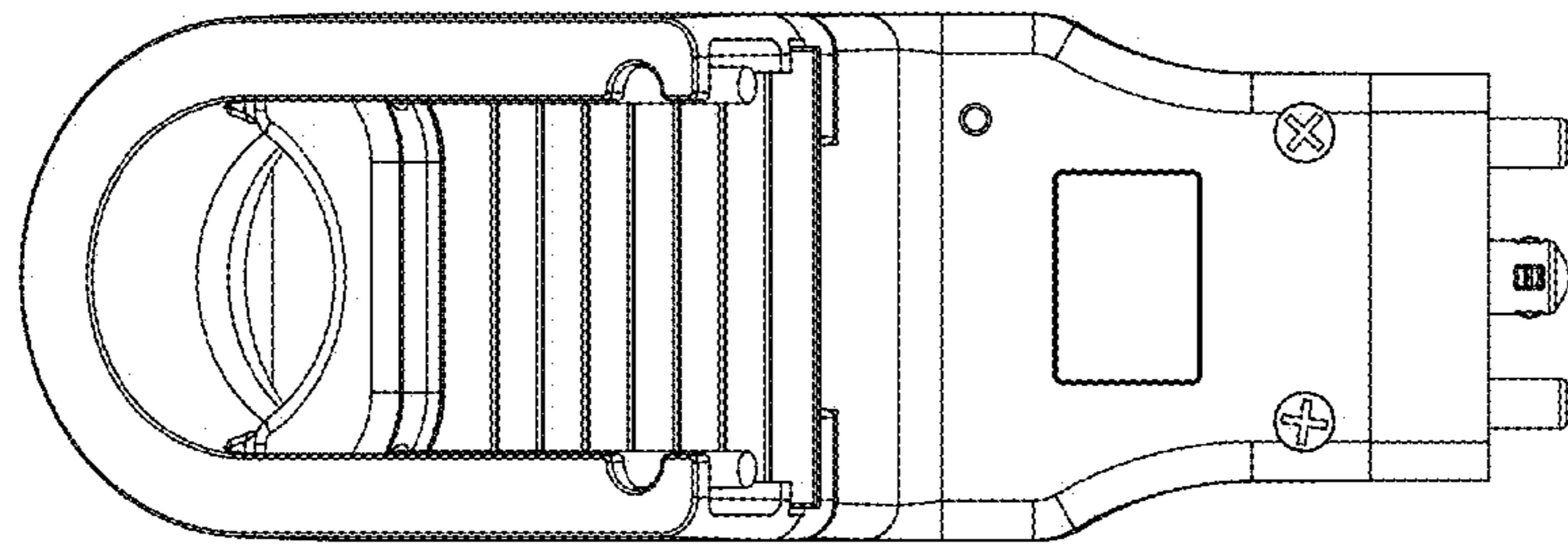


FIG. 5

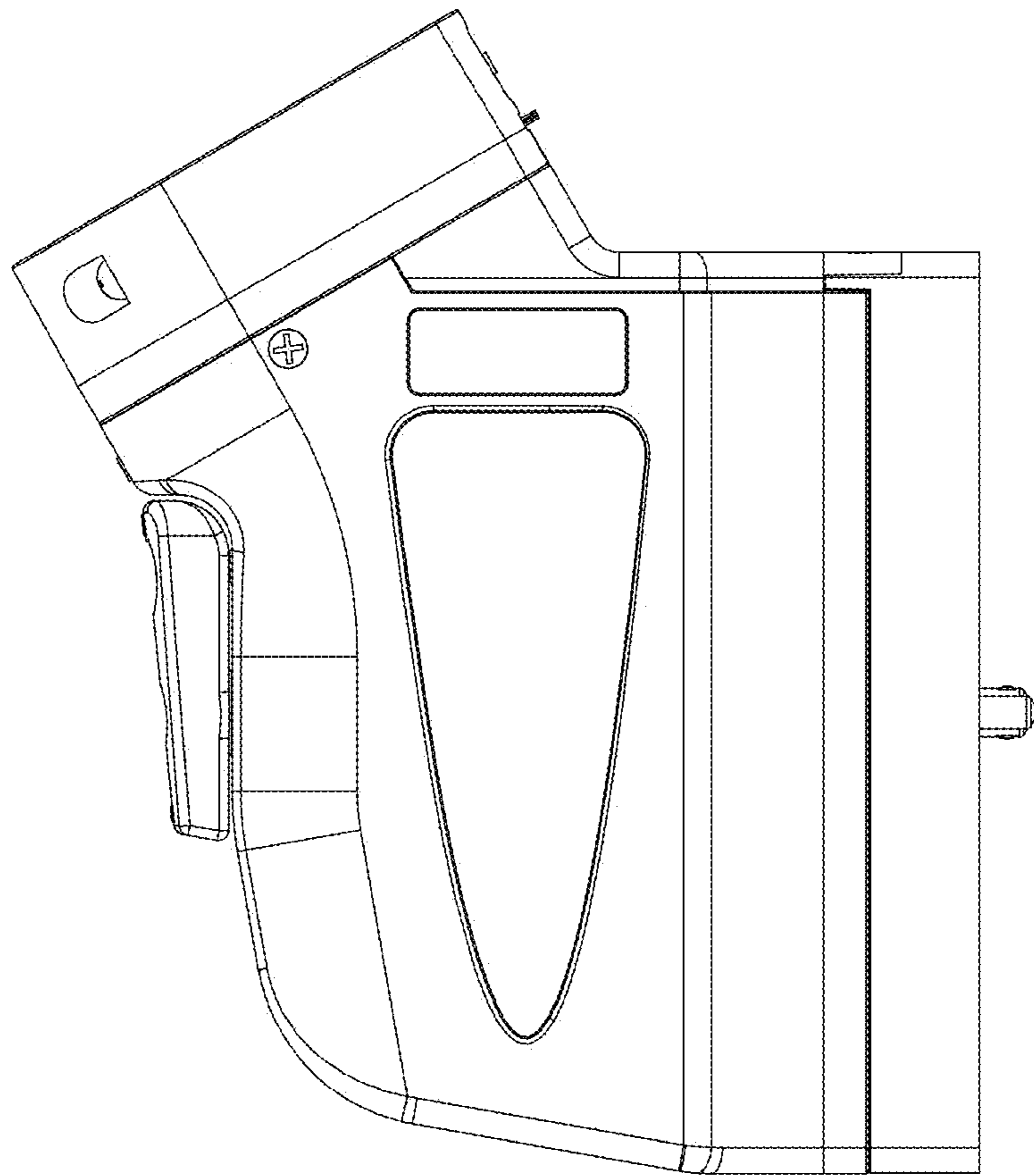


FIG. 6



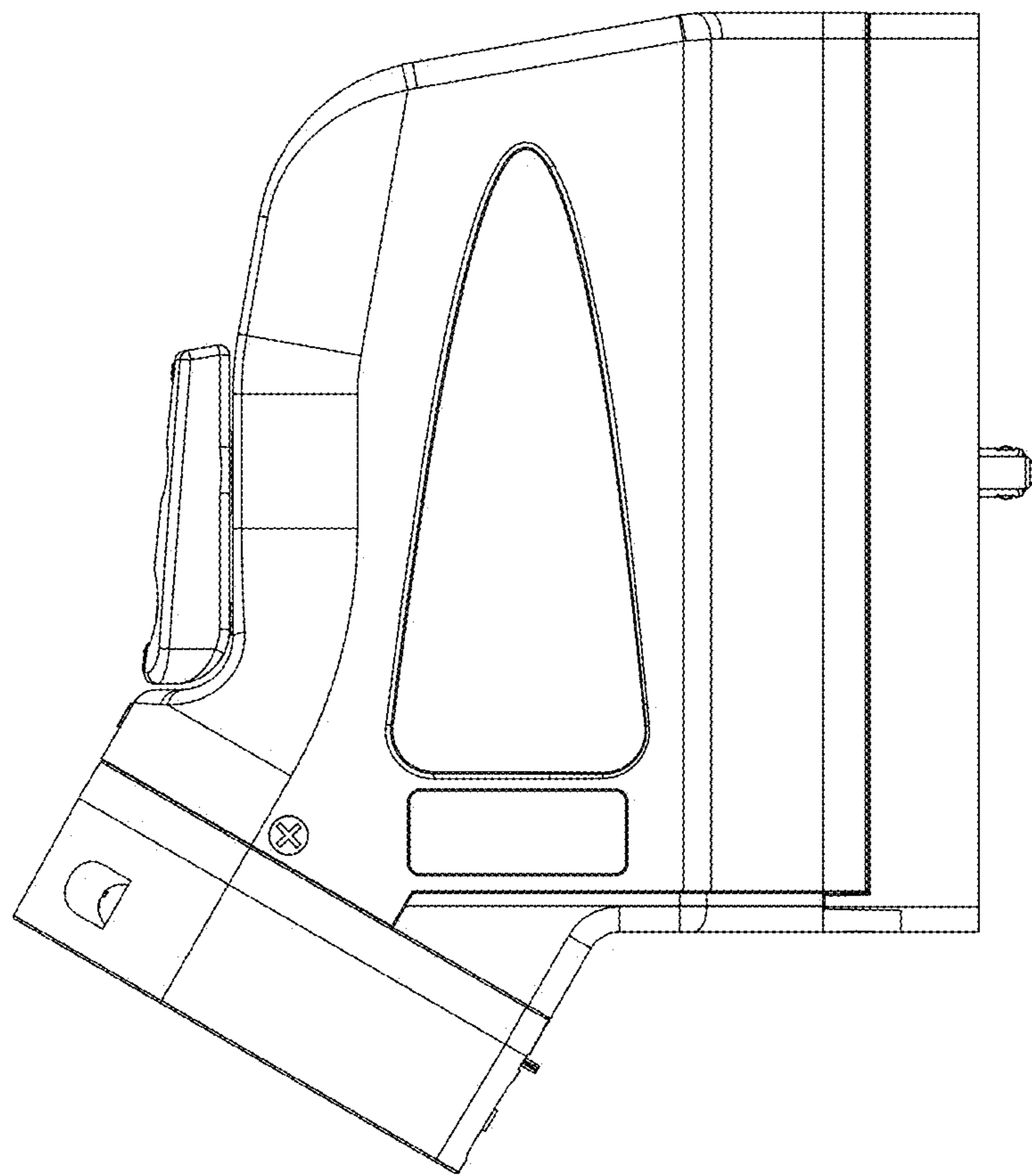


FIG. 7

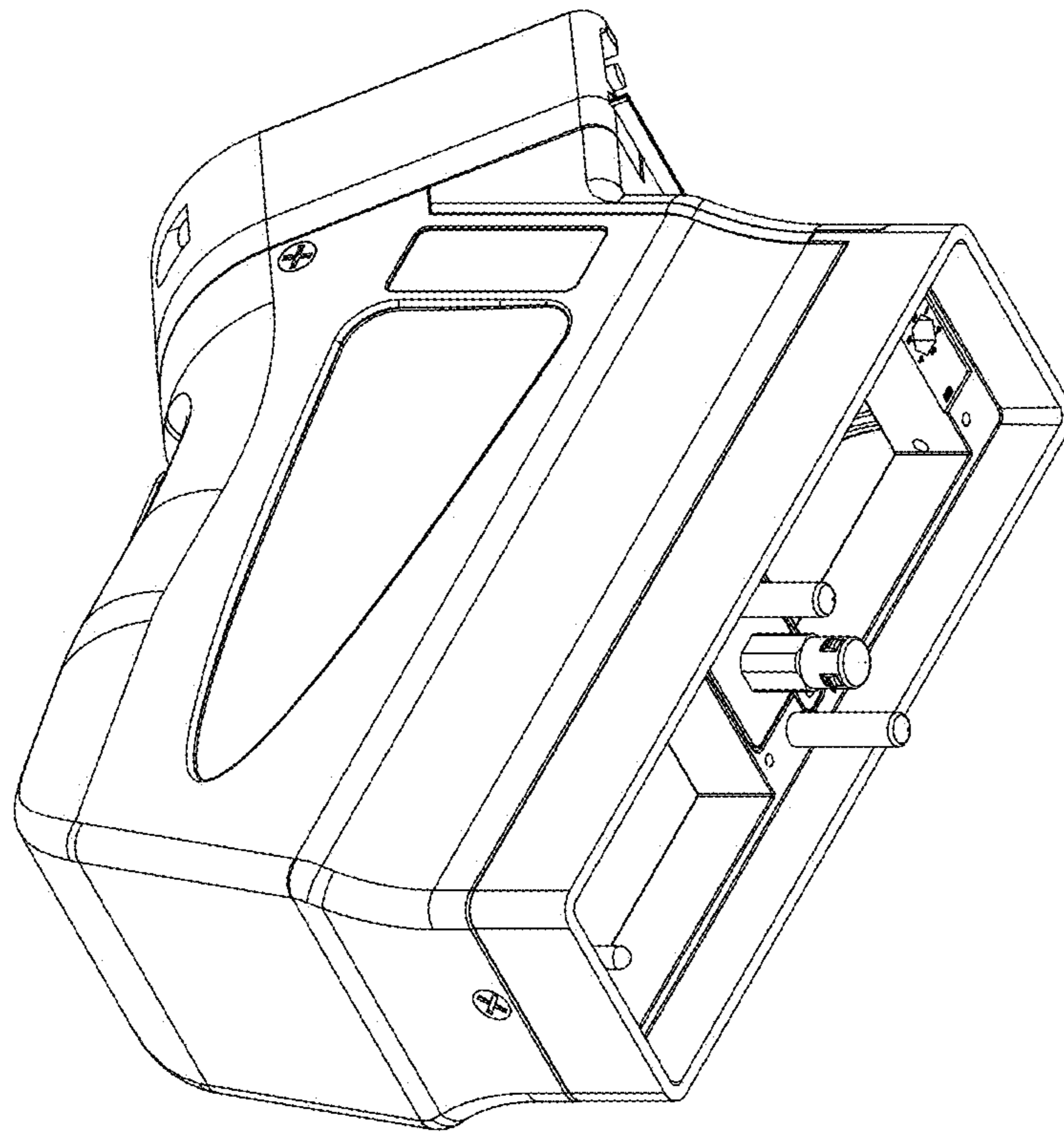


FIG. 8

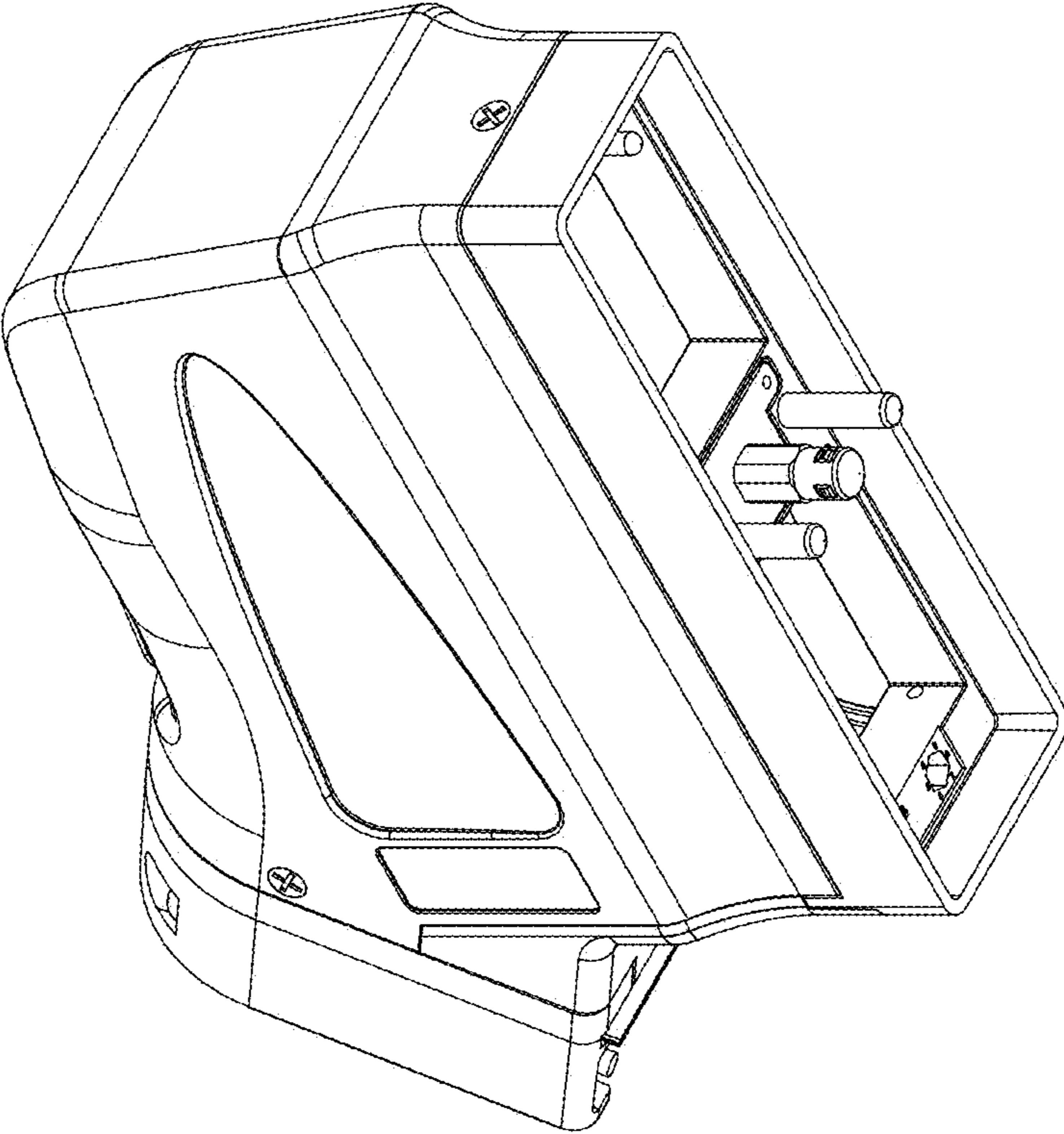


FIG. 9

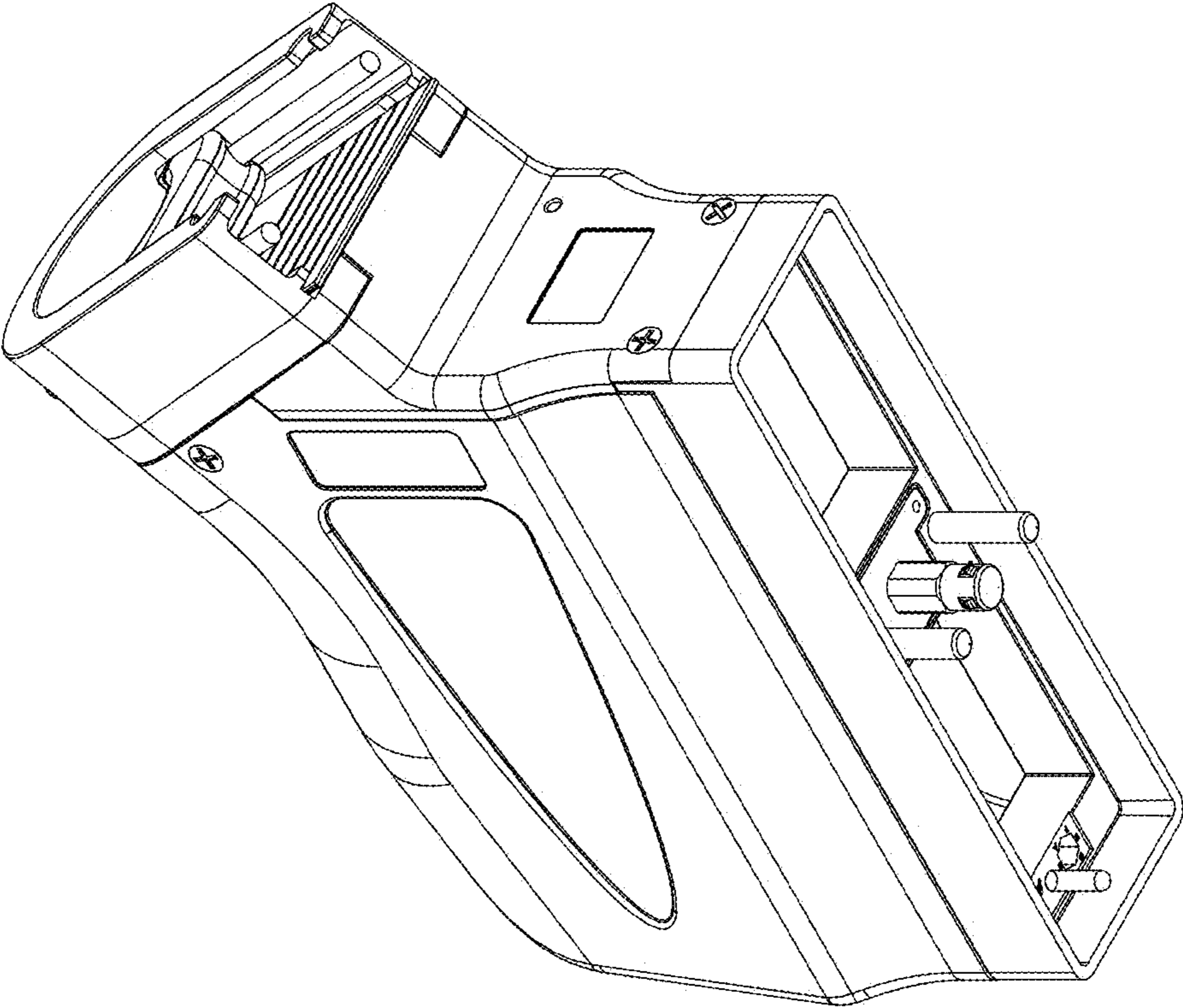


FIG. 10

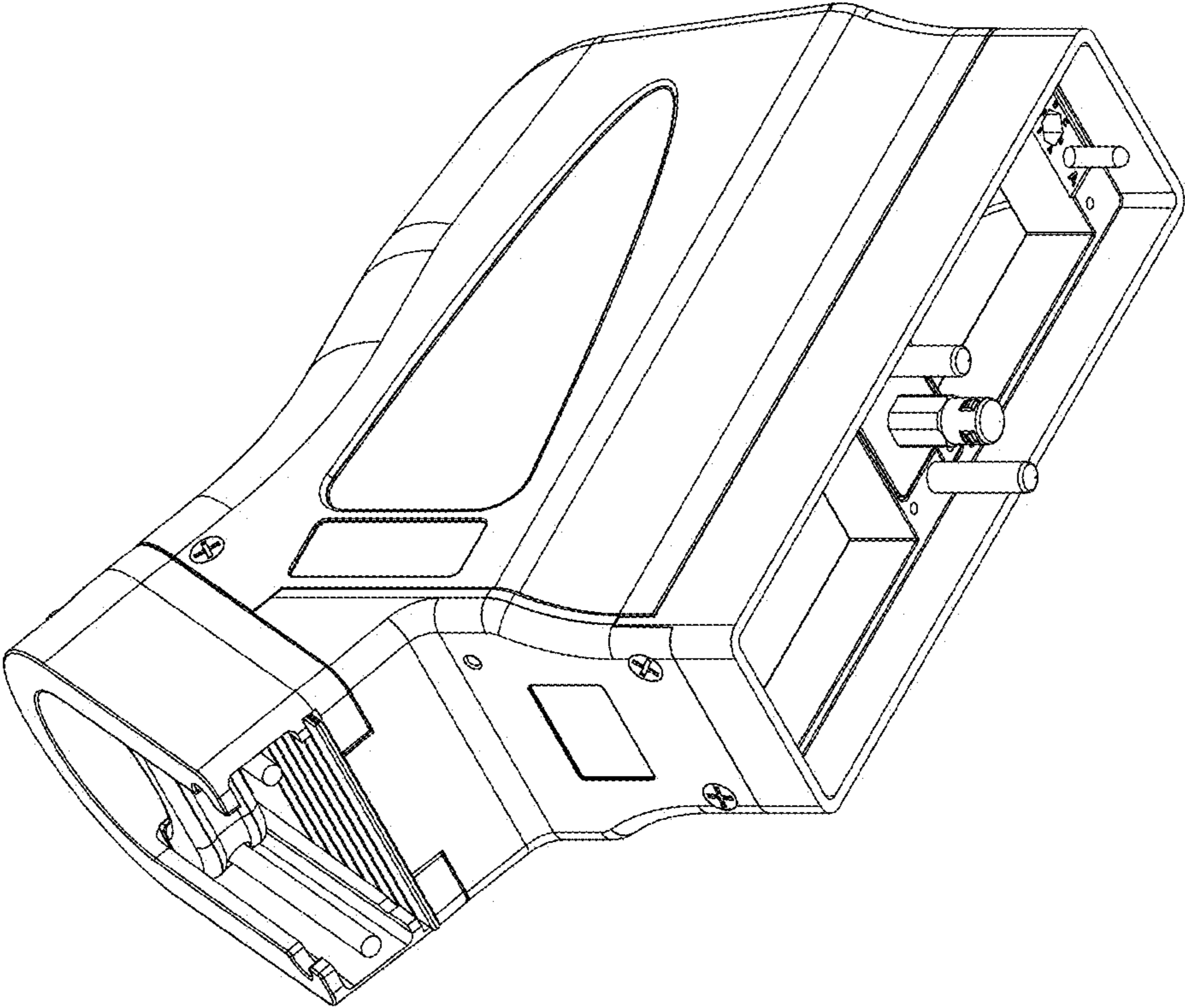


FIG. 11

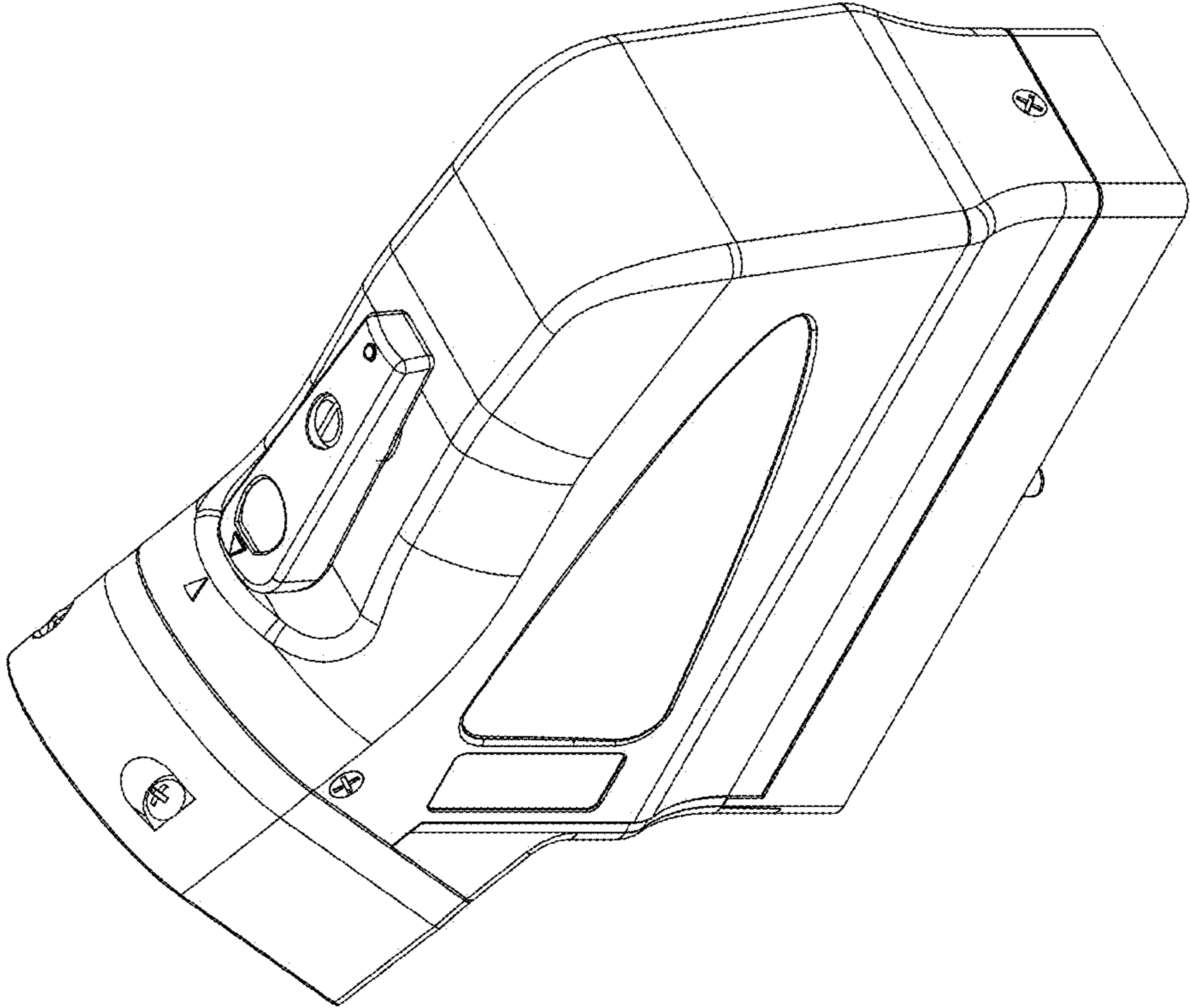


FIG. 12



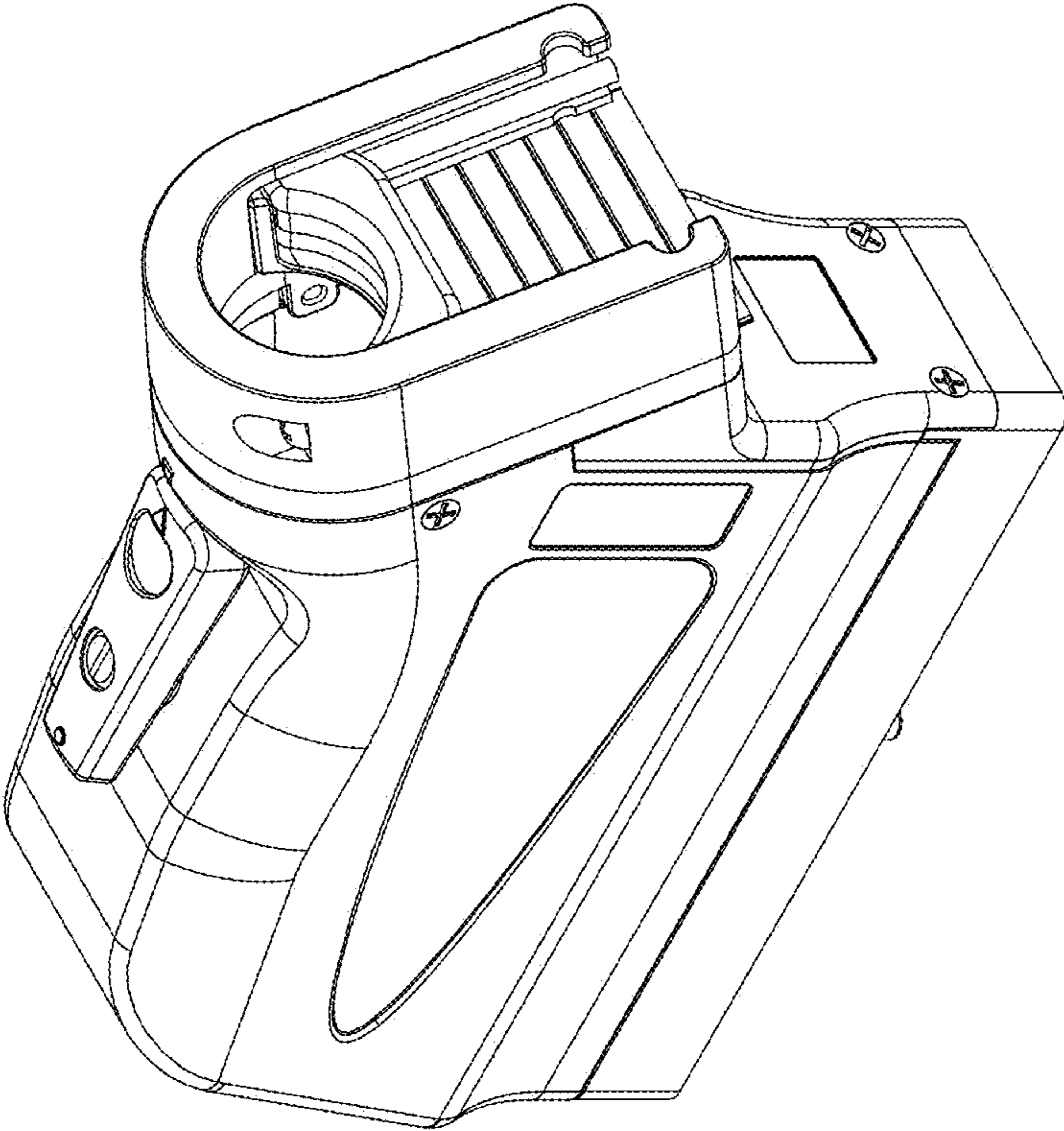


FIG. 13

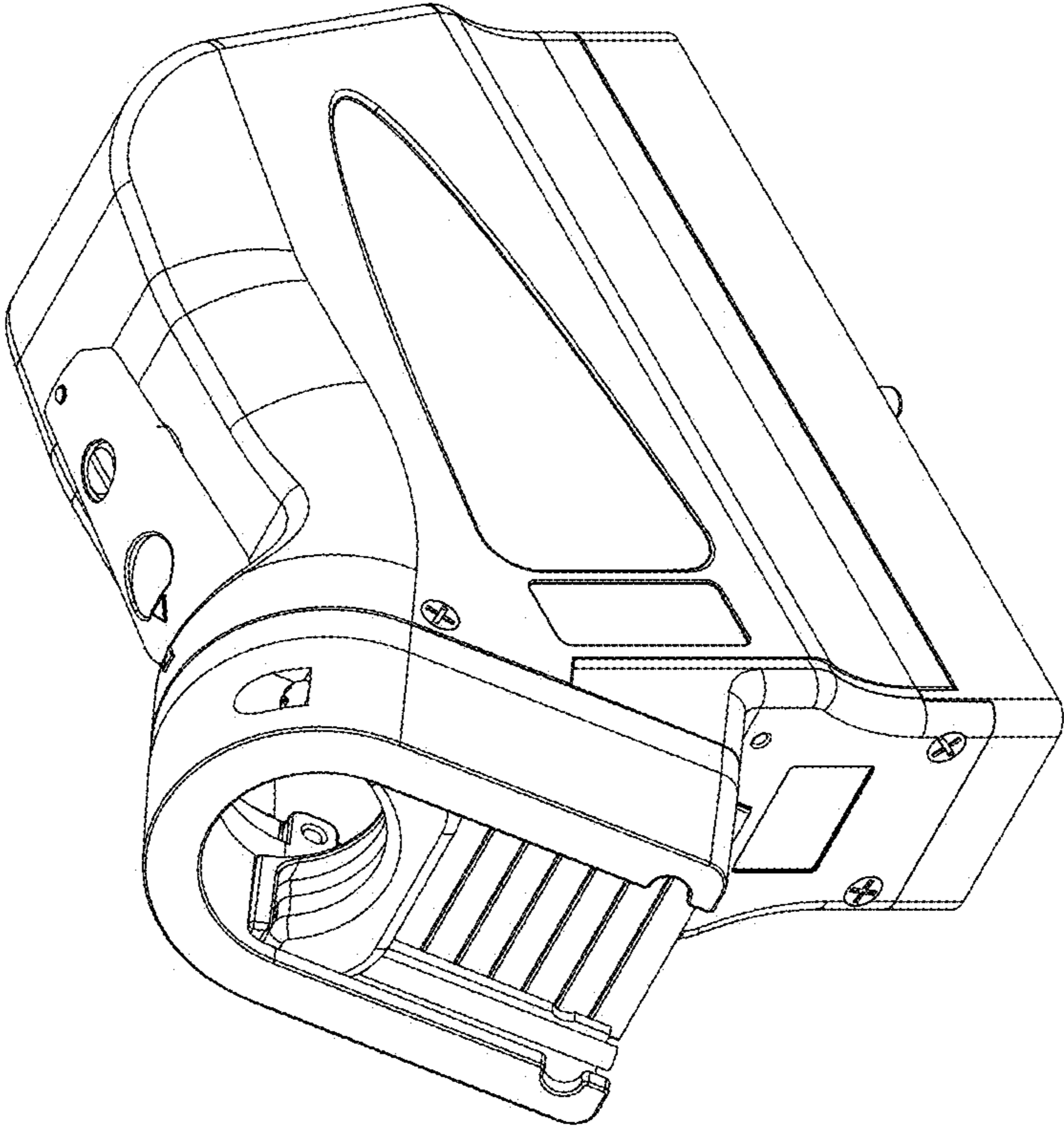


FIG. 14