

US00D969755S

(12) **United States Design Patent** (10) **Patent No.:** **US D969,755 S**
Li (45) **Date of Patent:** **** Nov. 15, 2022**

(54) **ON-OFF CONTROLLER**

(71) Applicant: **Hua Li**, Chenxi (CN)

(72) Inventor: **Hua Li**, Chenxi (CN)

(**) Term: **15 Years**

(21) Appl. No.: **29/796,568**

(22) Filed: **Jun. 25, 2021**

(51) **LOC (13) Cl.** **13-03**

(52) **U.S. Cl.**
USPC **D13/168**; D13/171

(58) **Field of Classification Search**
USPC D13/123, 126, 158, 160, 173, 177, 184,
D13/199; D10/40, 85, 96
CPC H01H 35/00; H01H 35/24; H01H 35/26;
H01H 35/38; H01H 35/40; H01H 9/02;
H01H 9/0214; H01H 9/0235; F21V
15/01; F21S 4/10; H04B 1/202; G09F
23/00

See application file for complete search history.

(56) **References Cited**

U.S. PATENT DOCUMENTS

3,742,166	A *	6/1973	Schaefer	H01H 35/2607
					200/83 J
4,339,638	A *	7/1982	Lascelles	H01H 39/00
					200/82 R
D373,735	S *	9/1996	Kurisasi	D10/85
D391,922	S *	3/1998	Aromin	D13/160
D400,456	S *	11/1998	Inoue	D10/85
D497,145	S *	10/2004	Seo	D13/158
D520,959	S *	5/2006	Nagai	D13/158
D568,255	S *	5/2008	Kurisasi	D13/164
D621,791	S *	8/2010	Koskela	D13/158
D626,921	S *	11/2010	Pang	D13/158
D685,032	S	6/2013	Slayton et al.		
D736,704	S *	8/2015	Liu	D27/194
D739,360	S	9/2015	Shippen		

9,332,615	B1 *	5/2016	Peng	H01H 9/0228
D783,544	S *	4/2017	Peng	D13/160
D783,546	S *	4/2017	Peng	D13/170
D847,764	S *	5/2019	Saitoh	D13/158
D851,604	S	6/2019	Zhuang		
D871,353	S *	12/2019	Gupta	D13/158
D891,377	S *	7/2020	Ahrari	D13/168
D911,295	S *	2/2021	Chen	D14/218
D928,727	S *	8/2021	Chen	D13/162
D931,233	S *	9/2021	Pan	D22/108
D938,924	S *	12/2021	Habip	D13/168
D940,082	S *	1/2022	Asada	D13/158
D948,460	S *	4/2022	Chan	D10/50
D956,002	S *	6/2022	Zhang	D13/168
2007/0279920	A1 *	12/2007	Lin	F21V 23/0407
					362/362
2009/0194399	A1 *	8/2009	Lin	H01H 9/04
					200/302.1
2011/0023616	A1 *	2/2011	Kiyama	H01H 35/2614
					73/700

(Continued)

Primary Examiner — Selina Sikder

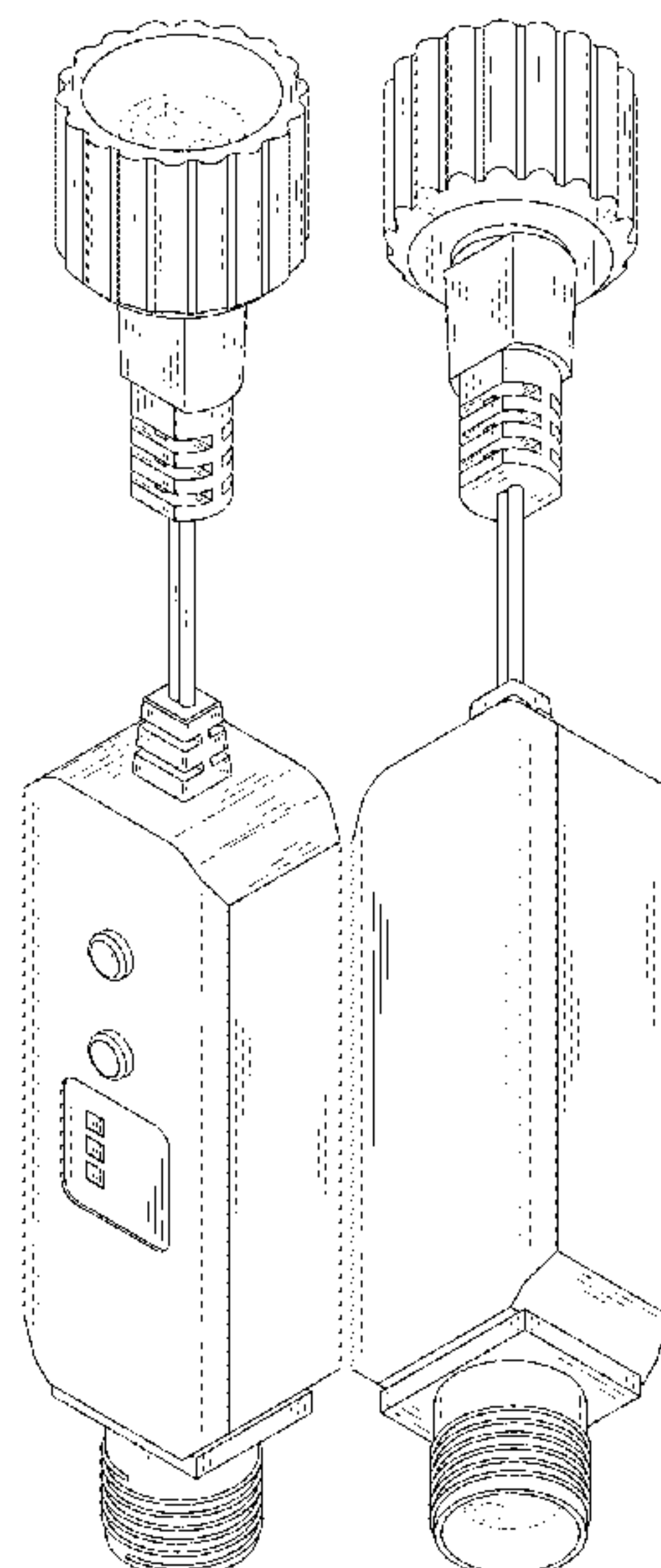
(57) **CLAIM**

The ornamental design for an on-off controller, as shown and described.

DESCRIPTION

FIG. 1 is a first perspective view of an on-off controller showing my new design;
FIG. 2 is a second perspective view thereof;
FIG. 3 is a front view thereof;
FIG. 4 is a back view thereof;
FIG. 5 is a left side view thereof;
FIG. 6 is a right side view thereof;
FIG. 7 is a top view thereof; and,
FIG. 8 is a bottom view thereof.
The broken lines shown in the drawings depict portions of the on-off controller in which the design is embodied that form no part of the claimed design.

1 Claim, 8 Drawing Sheets



(56)

References Cited

U.S. PATENT DOCUMENTS

2016/0076717 A1* 3/2016 Magner F21S 4/10
362/231
2017/0025237 A1* 1/2017 Nagel H01H 35/34
2018/0149345 A1* 5/2018 Zhang F21V 21/002

* cited by examiner

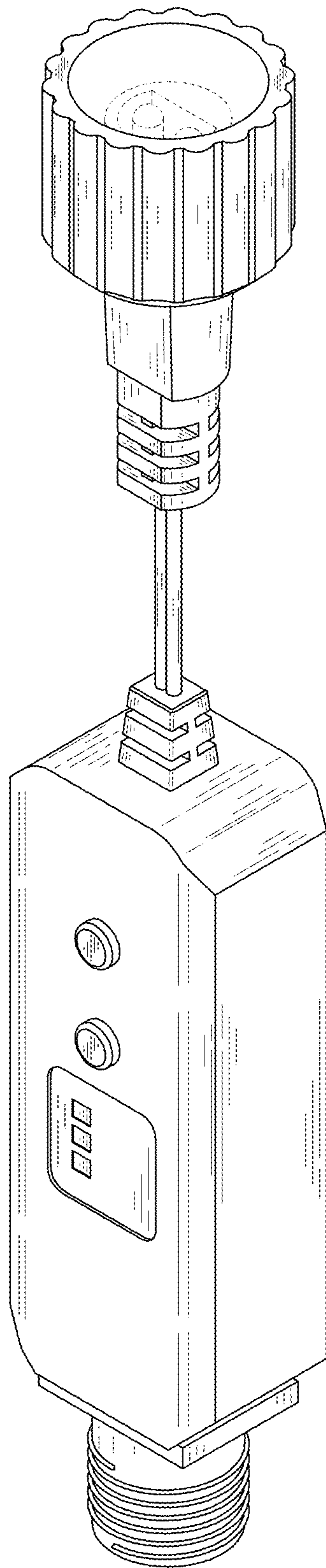


FIG. 1

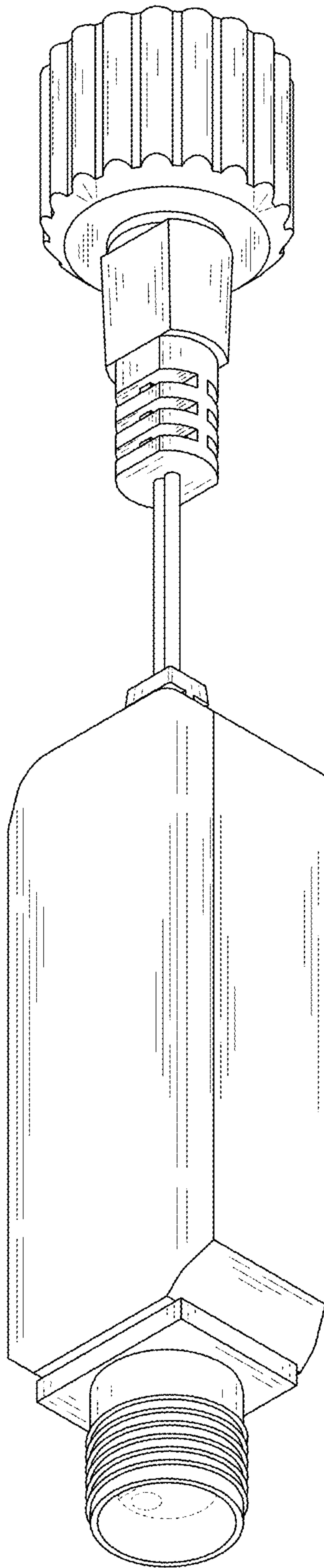


FIG. 2

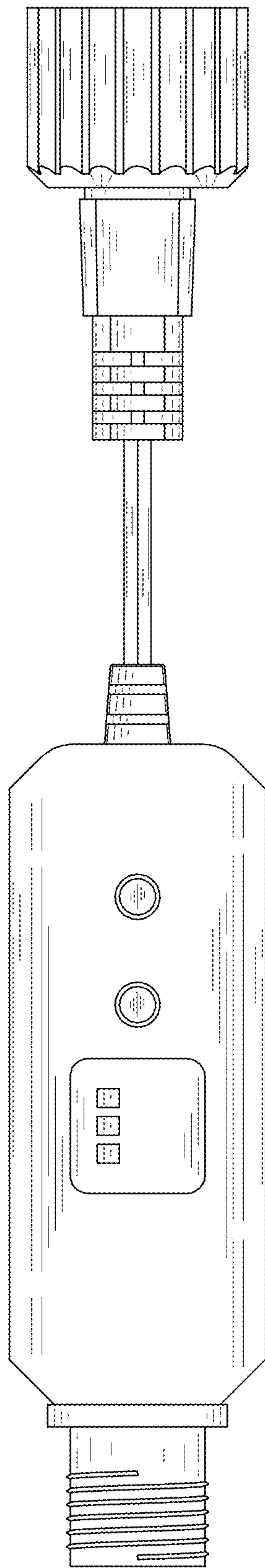


FIG. 3

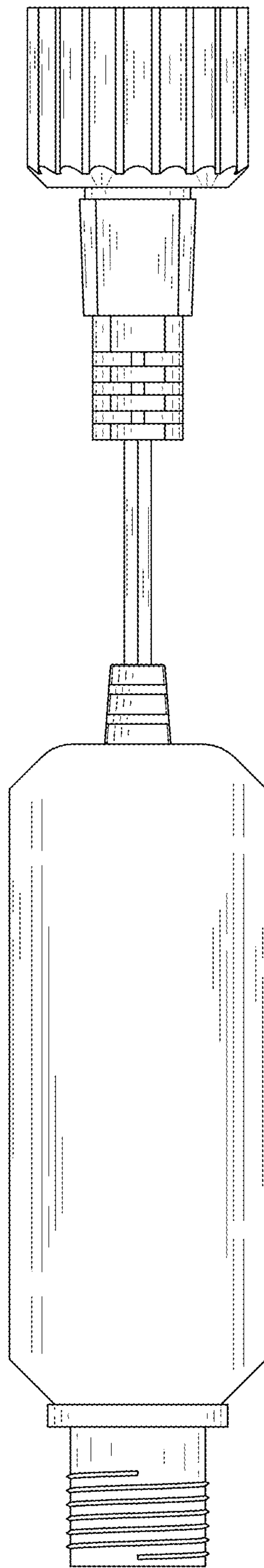


FIG. 4

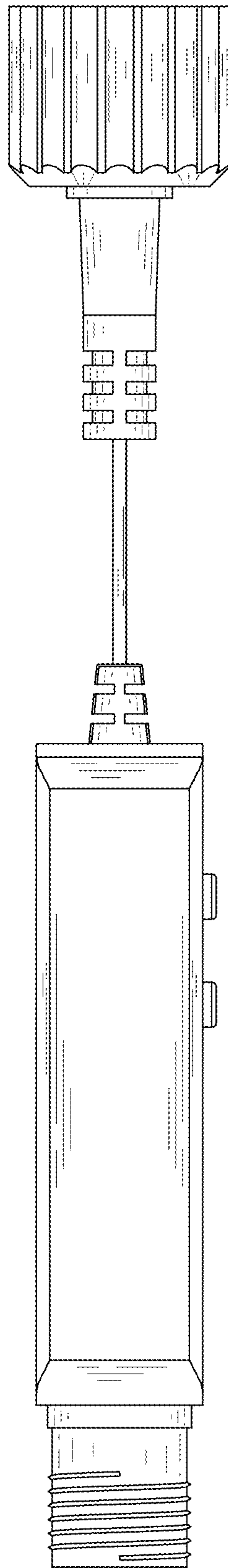


FIG. 5

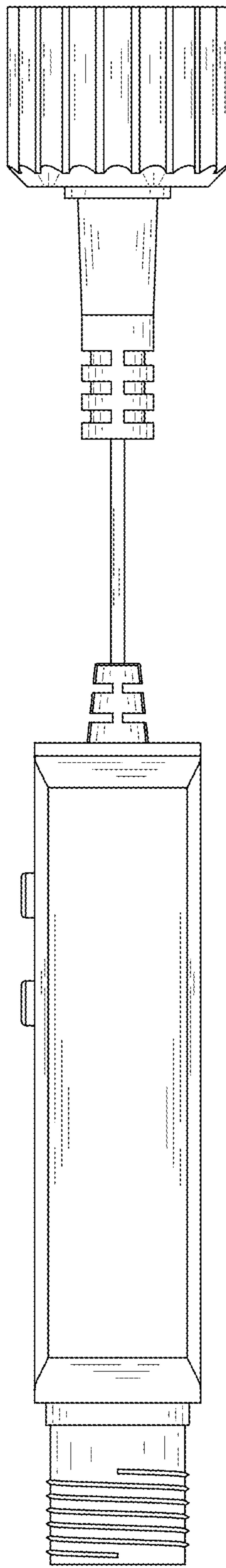


FIG. 6

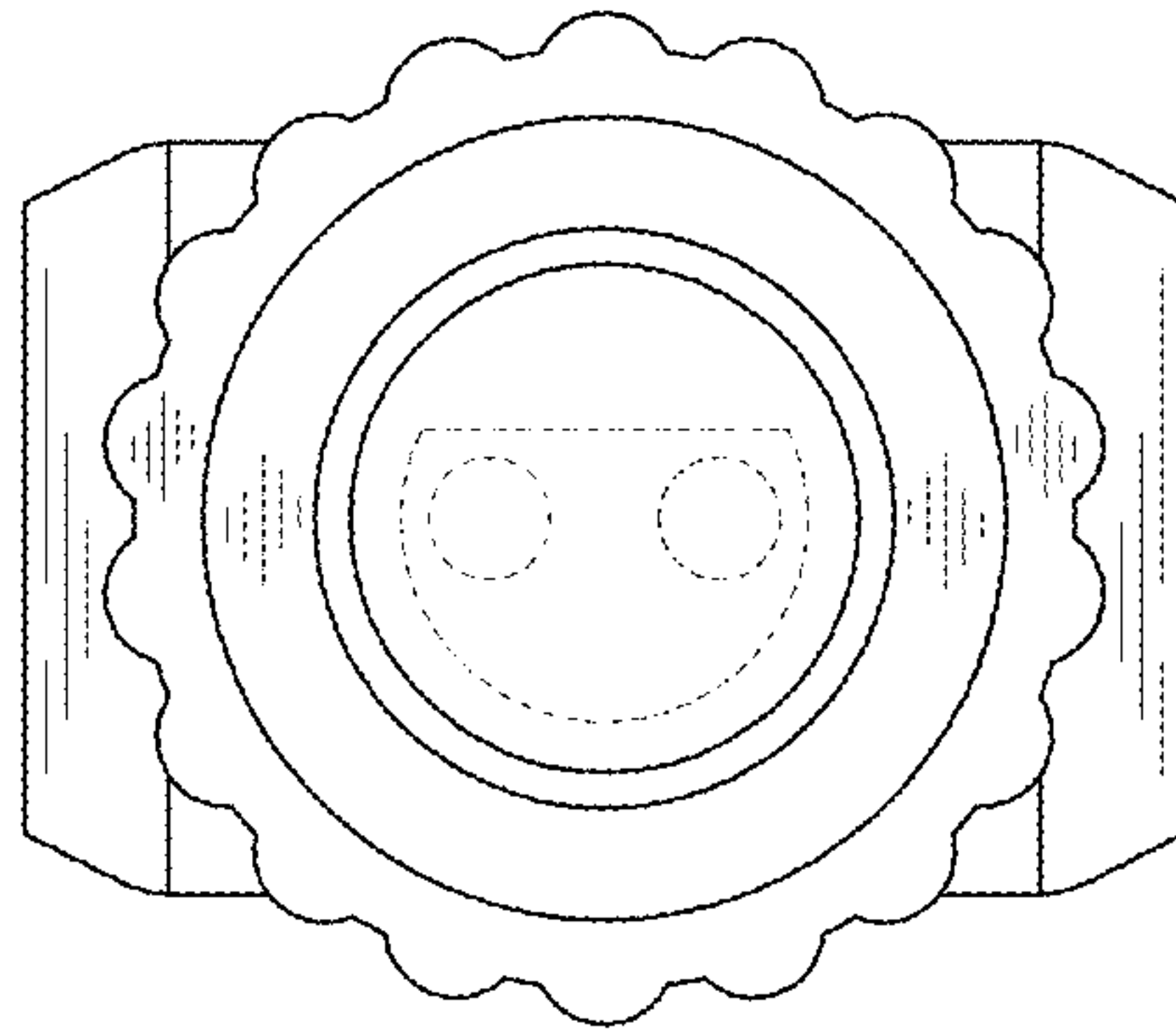


FIG. 7

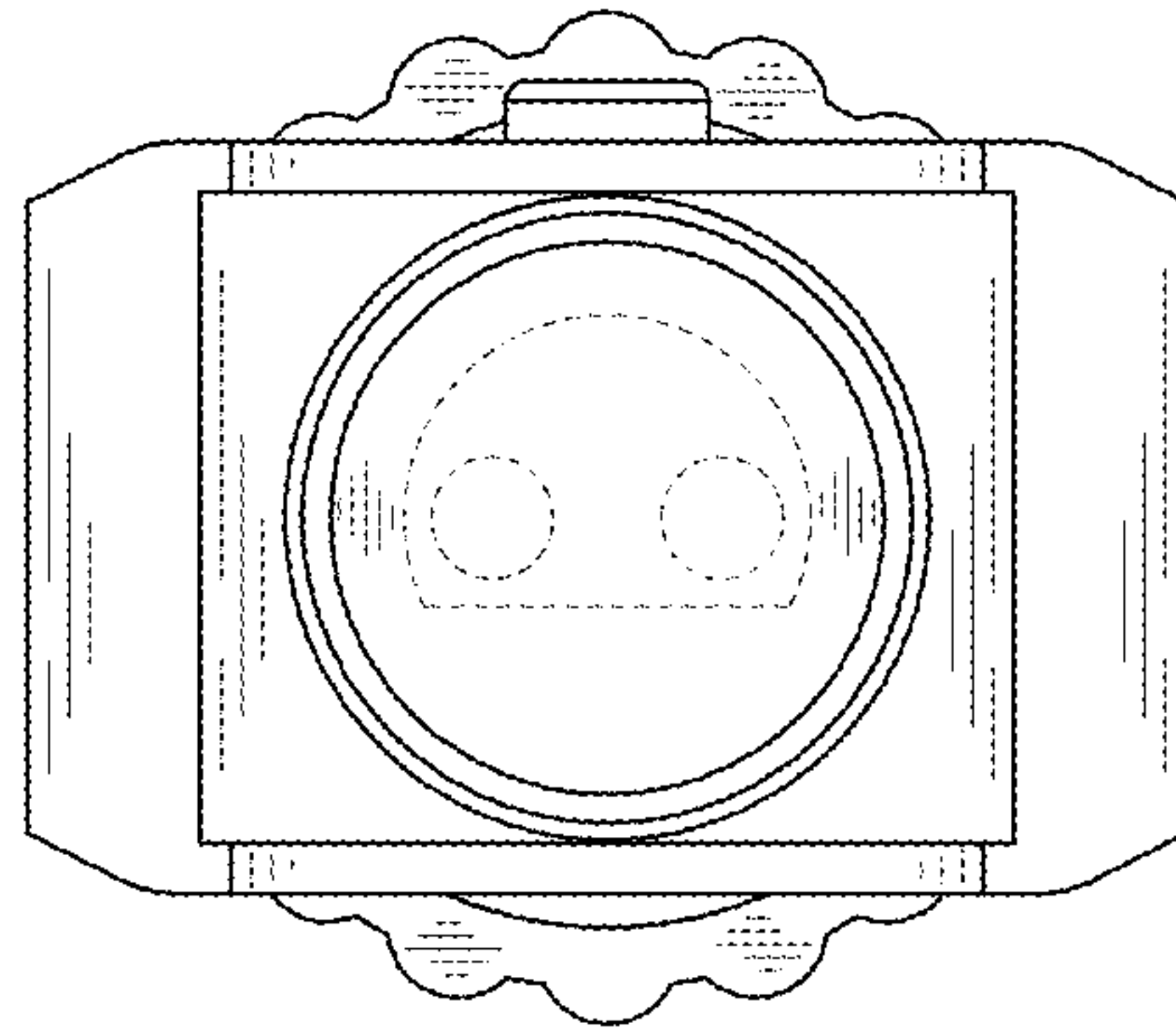


FIG. 8