

US00D969752S

(12) **United States Design Patent**  
**Pastier et al.**

(10) **Patent No.:** **US D969,752 S**

(45) **Date of Patent:** **\*\* Nov. 15, 2022**

(54) **STORAGE COMPARTMENT**

(71) Applicant: **Clark Equipment Company**, West Fargo, ND (US)

(72) Inventors: **Tomas Pastier**, Zvolen (SK); **Jan Smekal**, Lhota u Dolnich Brežan (CZ); **Gul Nalcaci**, Mersin (TR)

(73) Assignee: **Clark Equipment Company**, West Fargo, ND (US)

(\*\*) Term: **15 Years**

(21) Appl. No.: **29/709,387**

(22) Filed: **Oct. 14, 2019**

(51) **LOC (13) Cl.** ..... **13-03**

(52) **U.S. Cl.**  
USPC ..... **D13/156; D15/28**

(58) **Field of Classification Search**  
USPC ..... D12/415, 195, 425; D13/156; D15/28  
CPC ..... B60R 2011/0005; B60R 2011/0075; B60R 9/00; B60R 9/02  
See application file for complete search history.

(56) **References Cited**

**U.S. PATENT DOCUMENTS**

D342,471 S \* 12/1993 Kirila, II ..... D12/406  
D549,739 S \* 8/2007 Stephens ..... D15/28  
D607,807 S \* 1/2010 Ohlhorst ..... D12/411  
D754,211 S \* 4/2016 Moore ..... D15/28

D771,545 S \* 11/2016 Kasparian ..... D12/415  
D806,612 S \* 1/2018 Tolson ..... D12/114  
D818,933 S \* 5/2018 Jewers ..... D12/415  
D821,947 S \* 7/2018 Kasparian ..... D12/345  
D947,099 S \* 3/2022 Song ..... D12/414

\* cited by examiner

*Primary Examiner* — Jennifer O King

(74) *Attorney, Agent, or Firm* — John Veldhuis-Kroeze; Westman, Champlin & Koehler, P.A.

(57) **CLAIM**

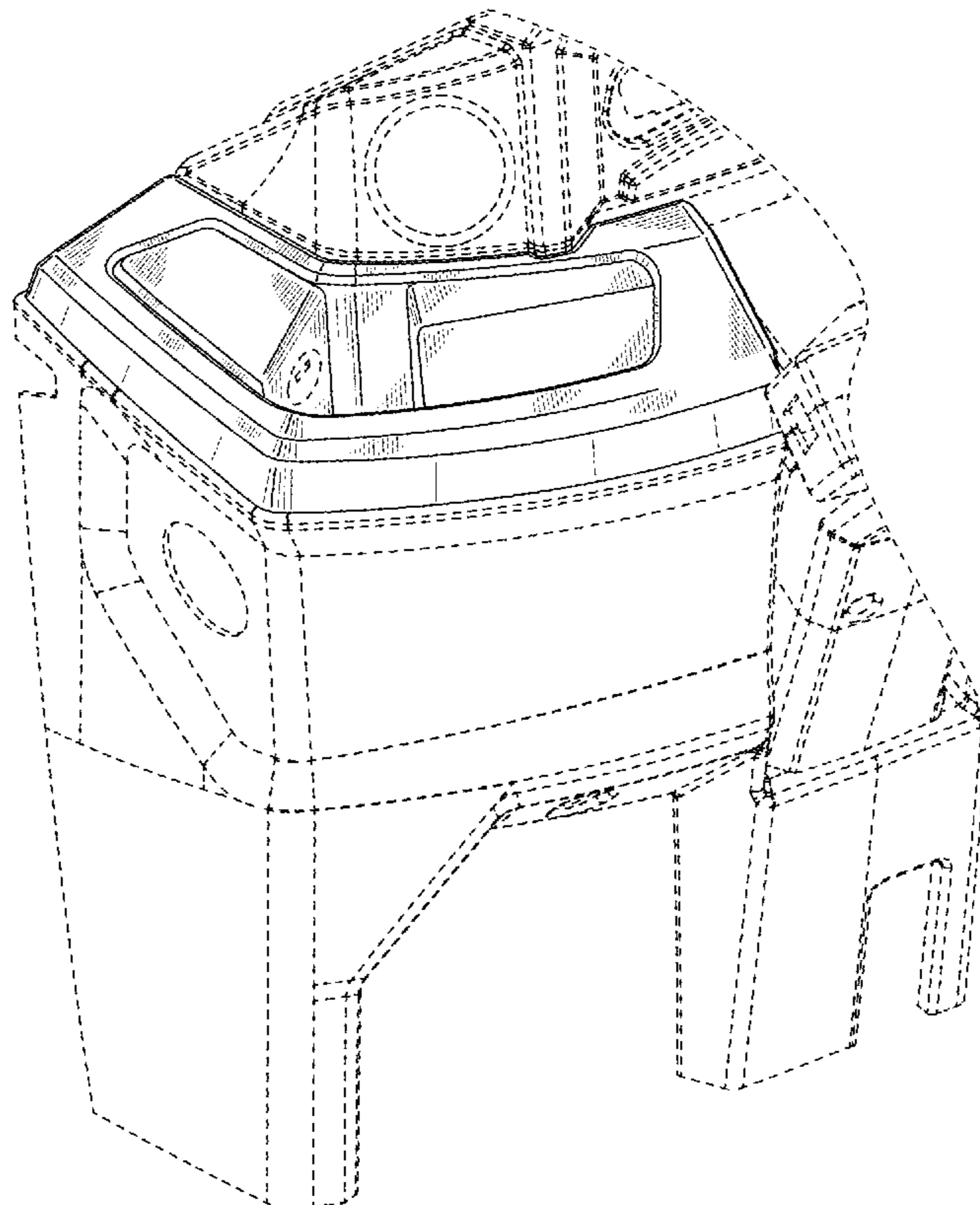
The ornamental design for a storage compartment, as shown and described.

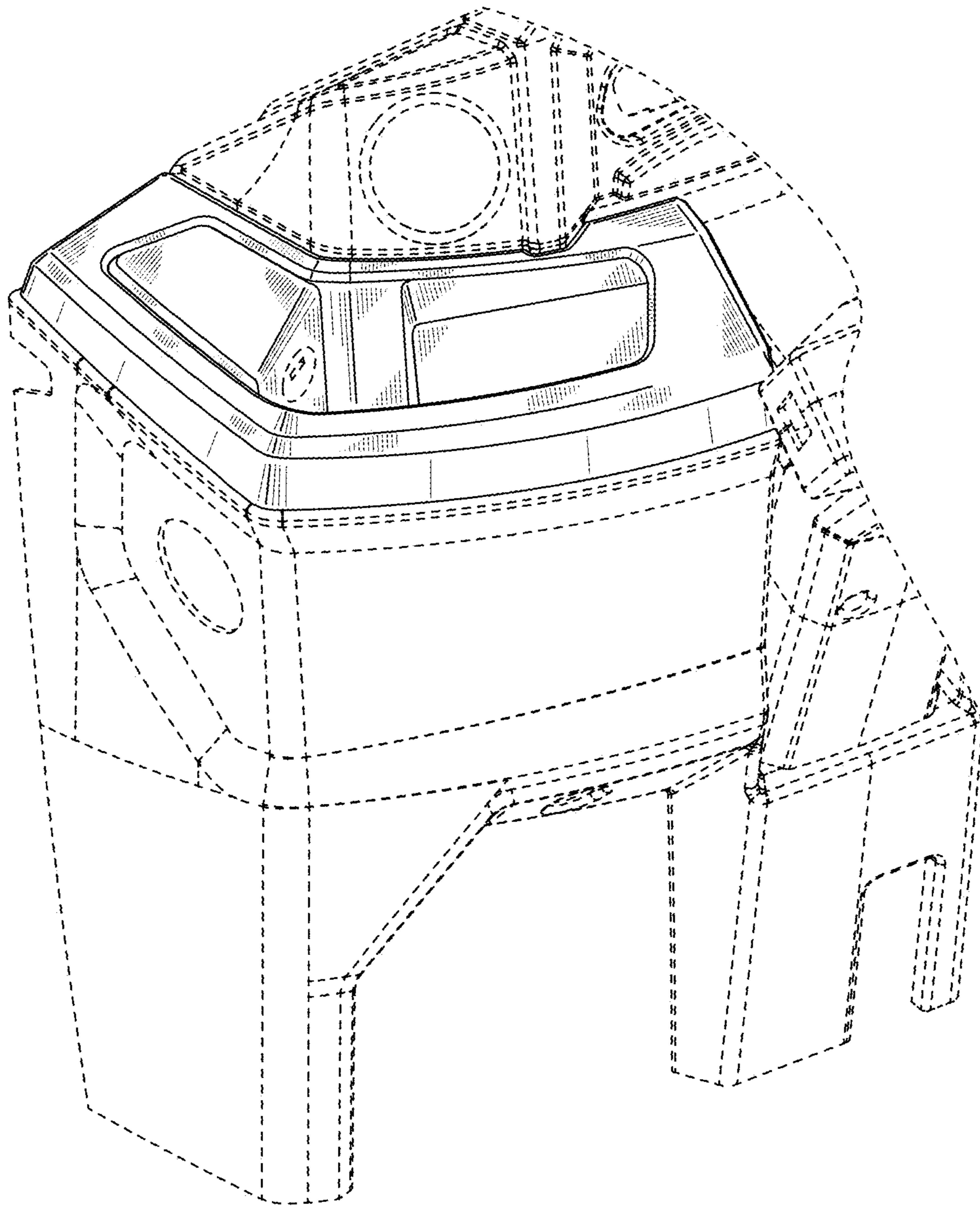
**DESCRIPTION**

FIG. 1 is a perspective view of a storage compartment with environment showing our new design;  
FIG. 2 is a perspective view without environment thereof;  
FIG. 3 is a front view thereof;  
FIG. 4 is a back view thereof;  
FIG. 5 is a right side view of thereof;  
FIG. 6 is a left side thereof;  
FIG. 7 is a top view thereof; and,  
FIG. 8 is a section view thereof.

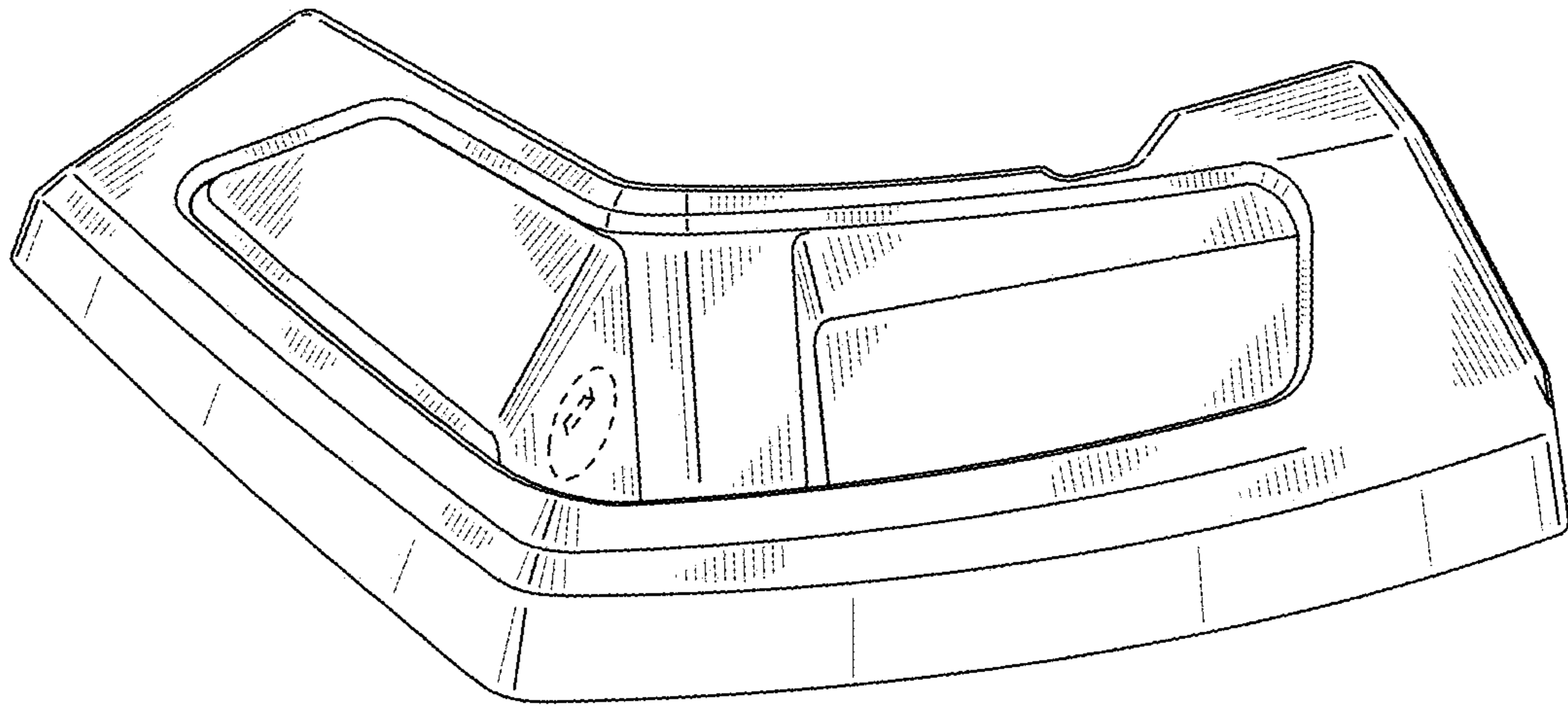
The broken lines shown in the drawings are included for purposes of illustrating environment or portions of the storage compartment, and form no part of the claimed design.

**1 Claim, 4 Drawing Sheets**

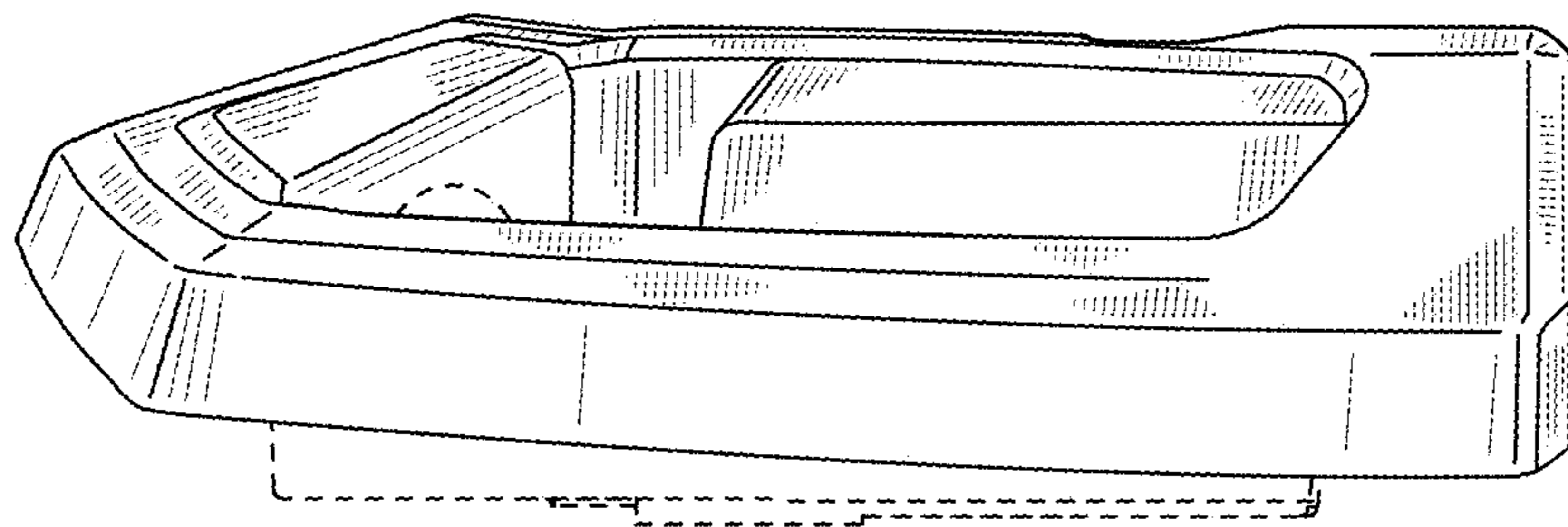




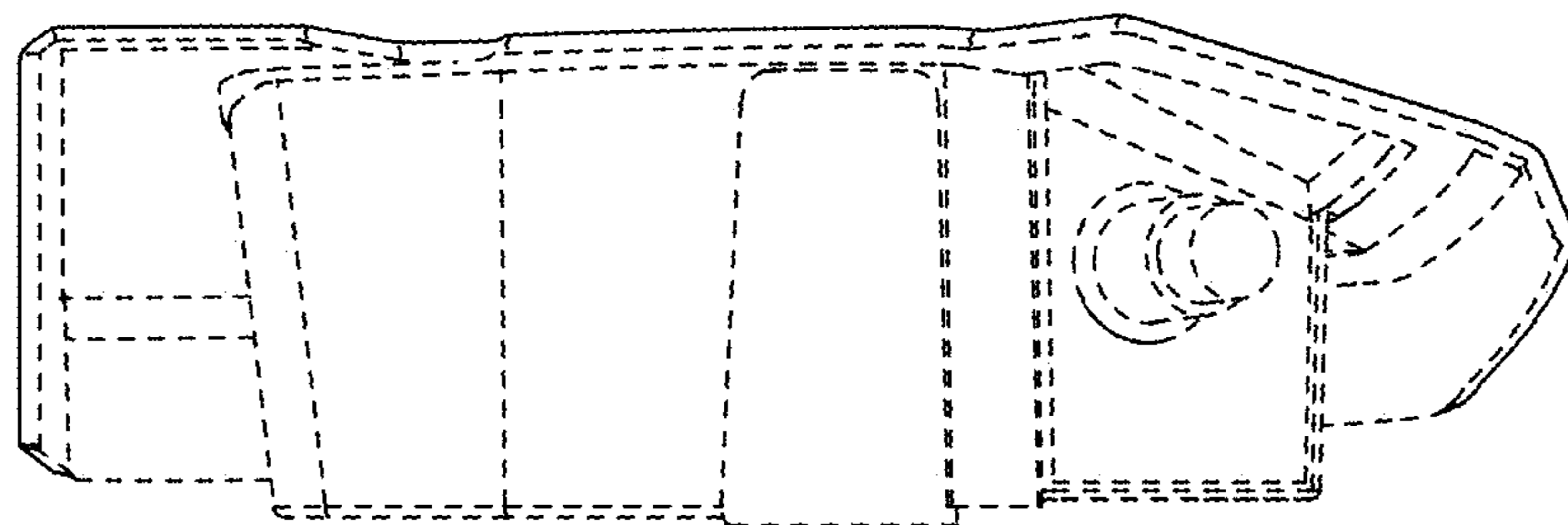
*FIG. 1*



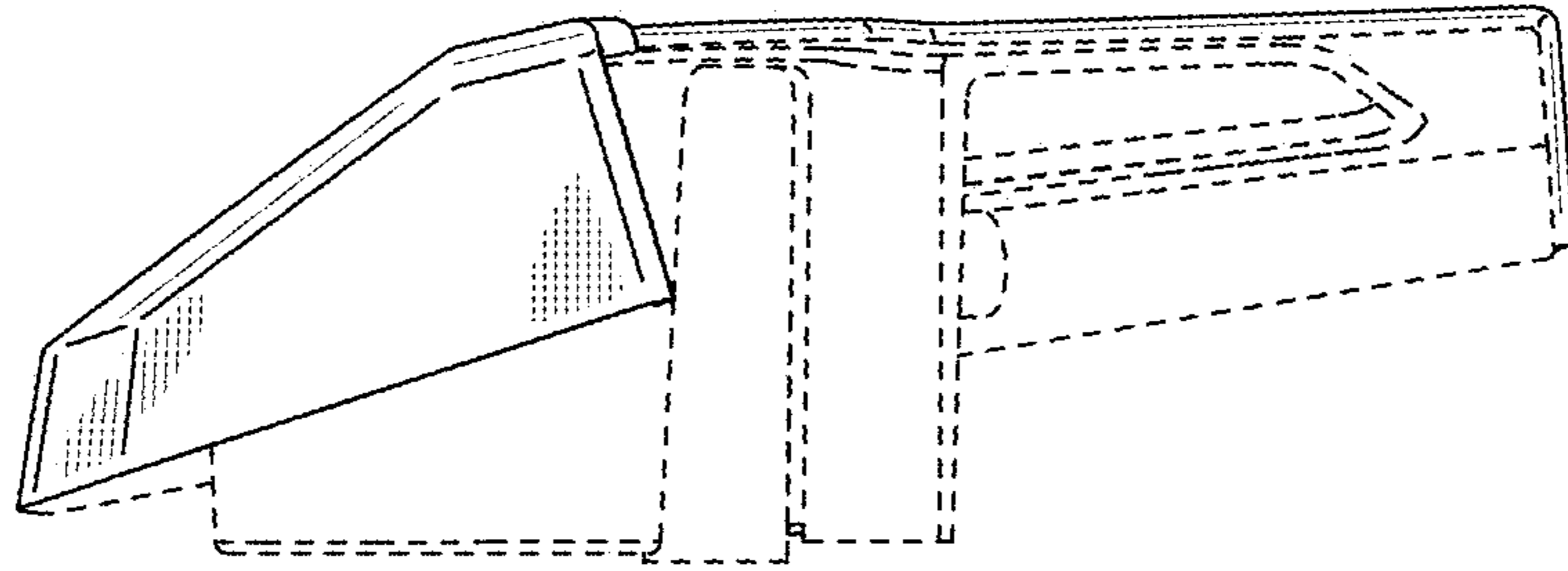
*FIG. 2*



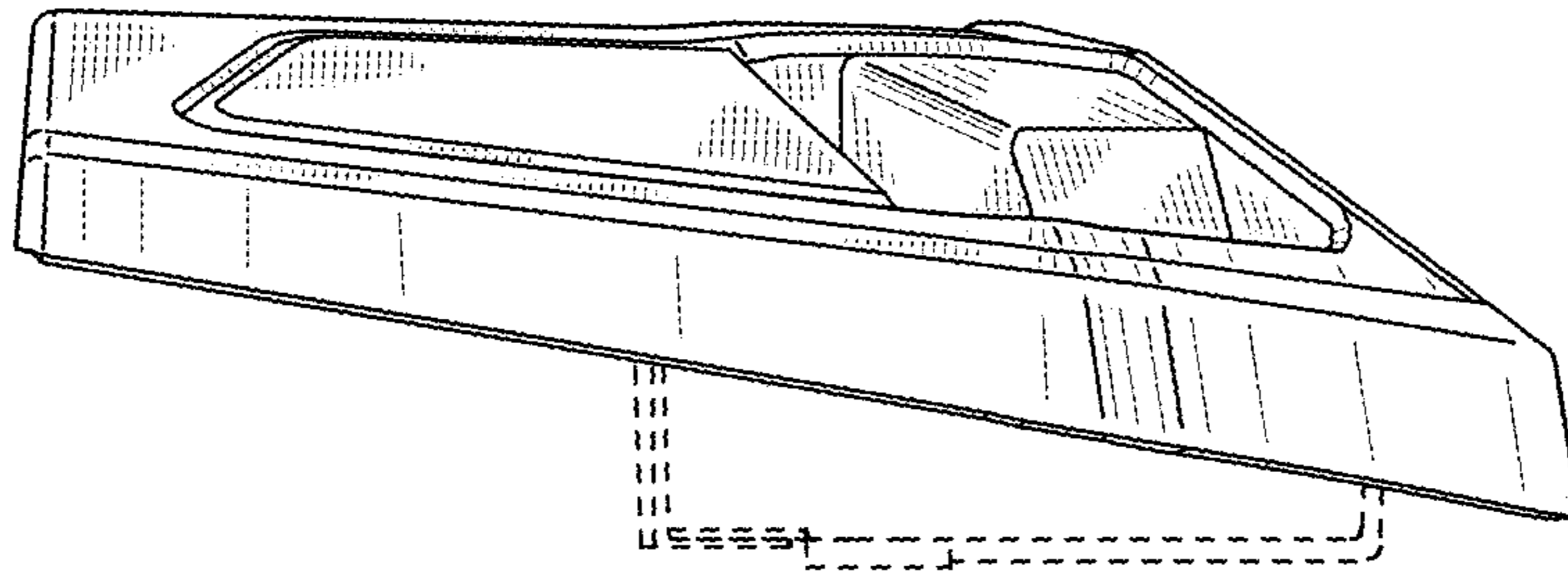
*FIG. 3*



*FIG. 4*



*FIG. 5*



*FIG. 6*

