



US00D969750S

(12) **United States Design Patent**  
**Wedding et al.**

(10) **Patent No.:** **US D969,750 S**

(45) **Date of Patent:** **\*\* Nov. 15, 2022**

(54) **CABLE HANGER**

(71) Applicant: **Cambria County Association for the Blind & Handicapped**, Johnstown, PA (US)

(72) Inventors: **Timothy Joseph Wedding**, Johnstown, PA (US); **Paul Edward Martin**, Johnstown, PA (US)

(73) Assignee: **Cambria County Association for the Blind and Handicapped**, Johnstown, PA (US)

(\*\*) Term: **15 Years**

(21) Appl. No.: **29/829,409**

(22) Filed: **Mar. 4, 2022**

**Related U.S. Application Data**

(63) Continuation of application No. 29/764,688, filed on Dec. 31, 2020, now Pat. No. Des. 949,112.

(51) **LOC (13) Cl.** ..... **13-03**

(52) **U.S. Cl.**  
USPC ..... **D13/154**; D8/367

(58) **Field of Classification Search**  
USPC ..... D13/133, 154, 155, 156, 157, 184, 199;  
D8/349, 352, 356, 367, 372, 396  
CPC ..... F16L 3/127; F16L 3/133; F16L 3/233;  
A47G 29/083; A47K 3/281; A47K 10/04;  
H02G 3/0456; H02G 7/10; A63B 21/0557  
See application file for complete search history.

(56) **References Cited**

**U.S. PATENT DOCUMENTS**

2,506,321 A \* 5/1950 Vosburgh ..... A47G 23/0225  
D6/403  
2,636,704 A \* 4/1953 Norberg ..... F16L 3/003  
248/302

4,979,712 A \* 12/1990 Rios ..... A47K 10/04  
D8/395  
5,582,058 A \* 12/1996 Knudson ..... F16L 3/127  
248/300  
D532,074 S \* 11/2006 Travis, Sr. .... D22/149  
7,735,189 B2 \* 6/2010 Richardson ..... A47H 15/04  
24/716  
D680,421 S \* 4/2013 Martin ..... D8/367  
8,783,628 B2 \* 7/2014 Jette ..... F16L 3/221  
248/68.1  
D742,727 S \* 11/2015 Martin ..... D8/367  
D837,637 S \* 1/2019 Hack ..... D8/367  
2002/0000504 A1 \* 1/2002 Bayne ..... F21S 4/10  
248/302  
2016/0153587 A1 \* 6/2016 Smith ..... H02G 3/30  
29/515

\* cited by examiner

*Primary Examiner* — Derrick E Holland

(74) *Attorney, Agent, or Firm* — Eckert Seamans Cherin & Mellott, LLC

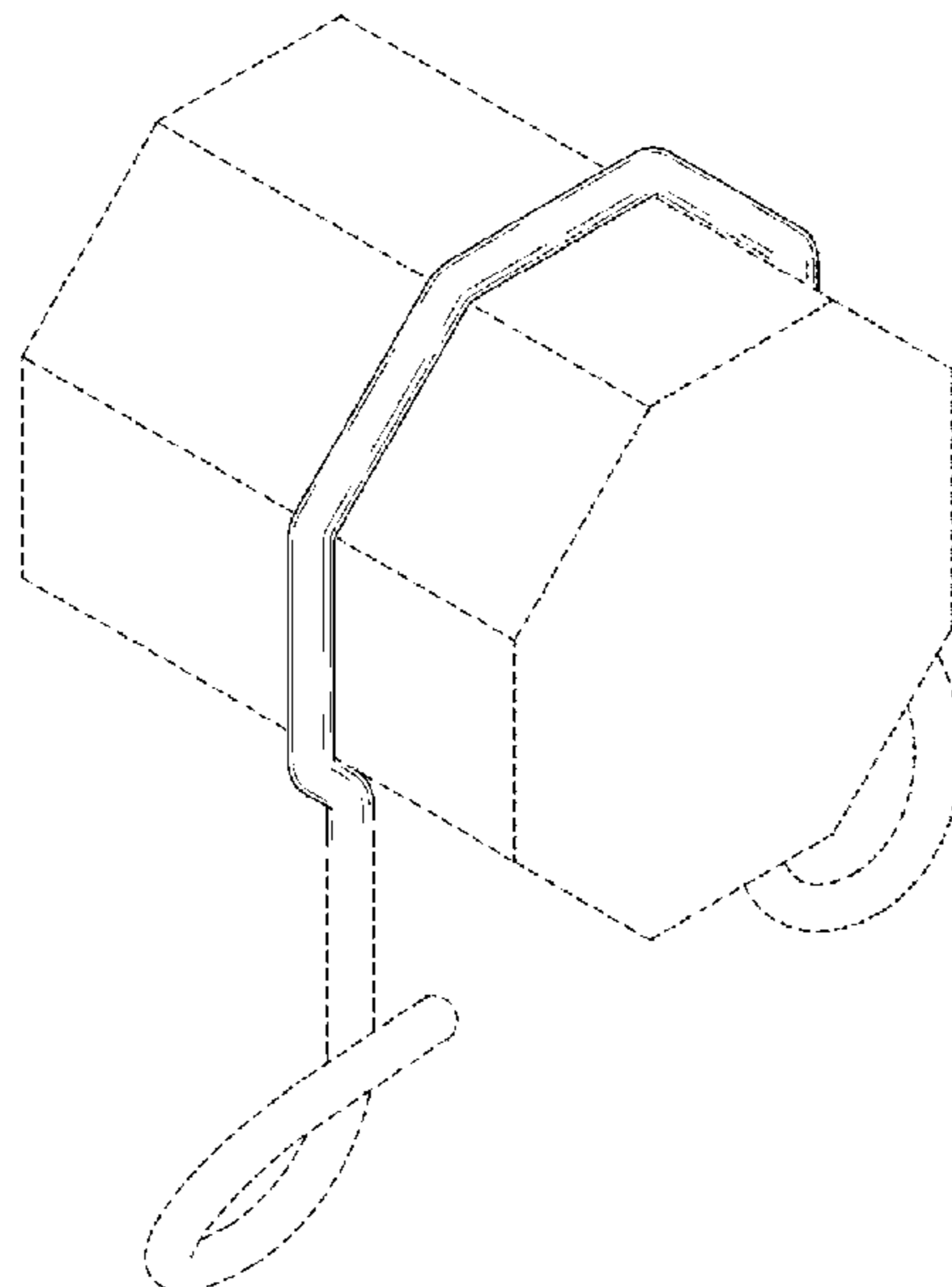
(57) **CLAIM**

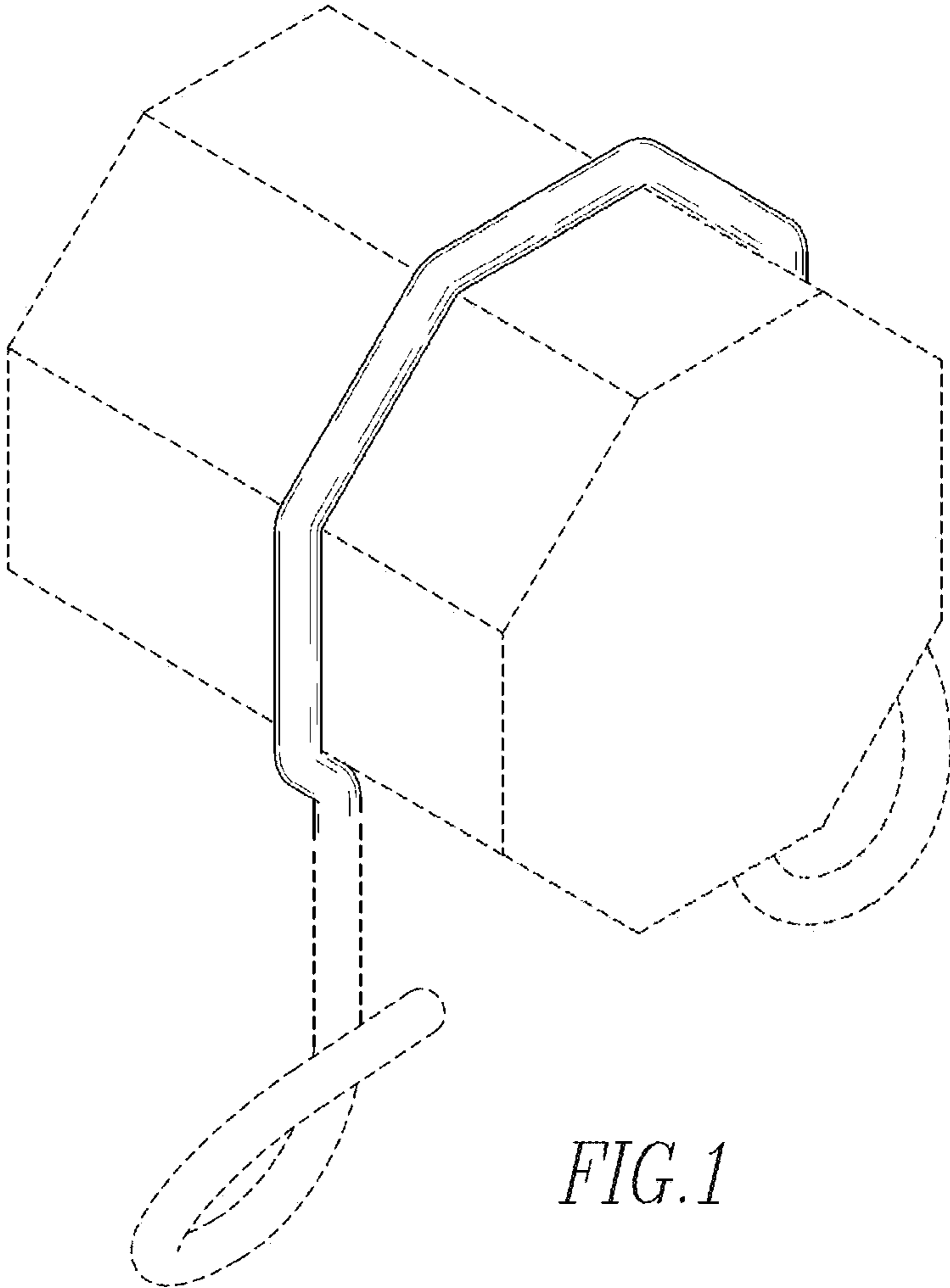
The ornamental design for a cable hanger, as shown and described.

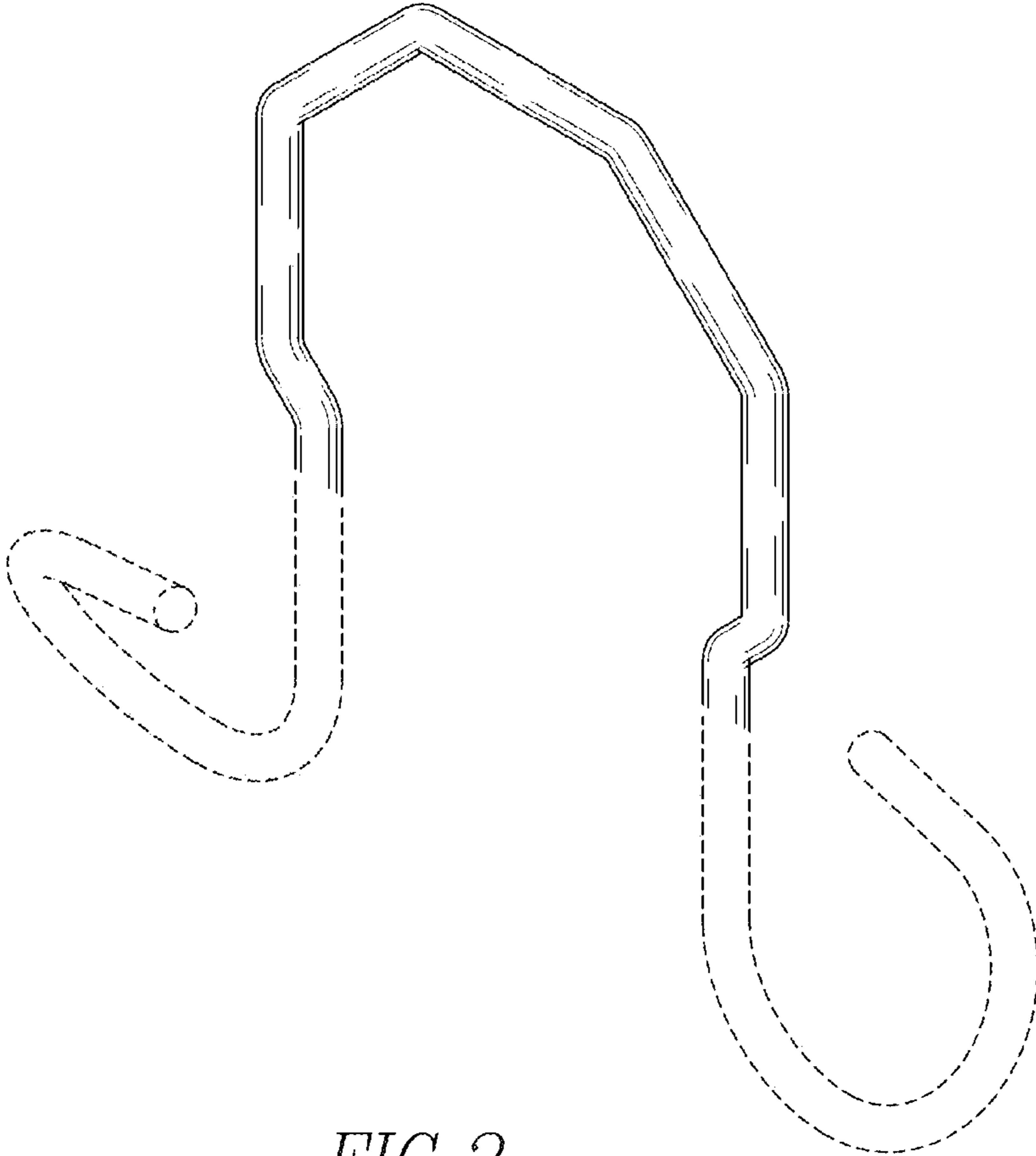
**DESCRIPTION**

FIG. 1 is a first isometric view of a cable hanger showing our new design;  
FIG. 2 is a second isometric view of the cable hanger;  
FIG. 3 is a front view of the cable hanger;  
FIG. 4 is a rear view of the cable hanger  
FIG. 5 is a top view of the cable hanger;  
FIG. 6 is a bottom view of the cable hanger;  
FIG. 7 is a left view of the cable hanger; and,  
FIG. 8 is a right view of the cable hanger.  
The broken lines in the drawings depict environmental subject matter only and form no part of the claimed design.

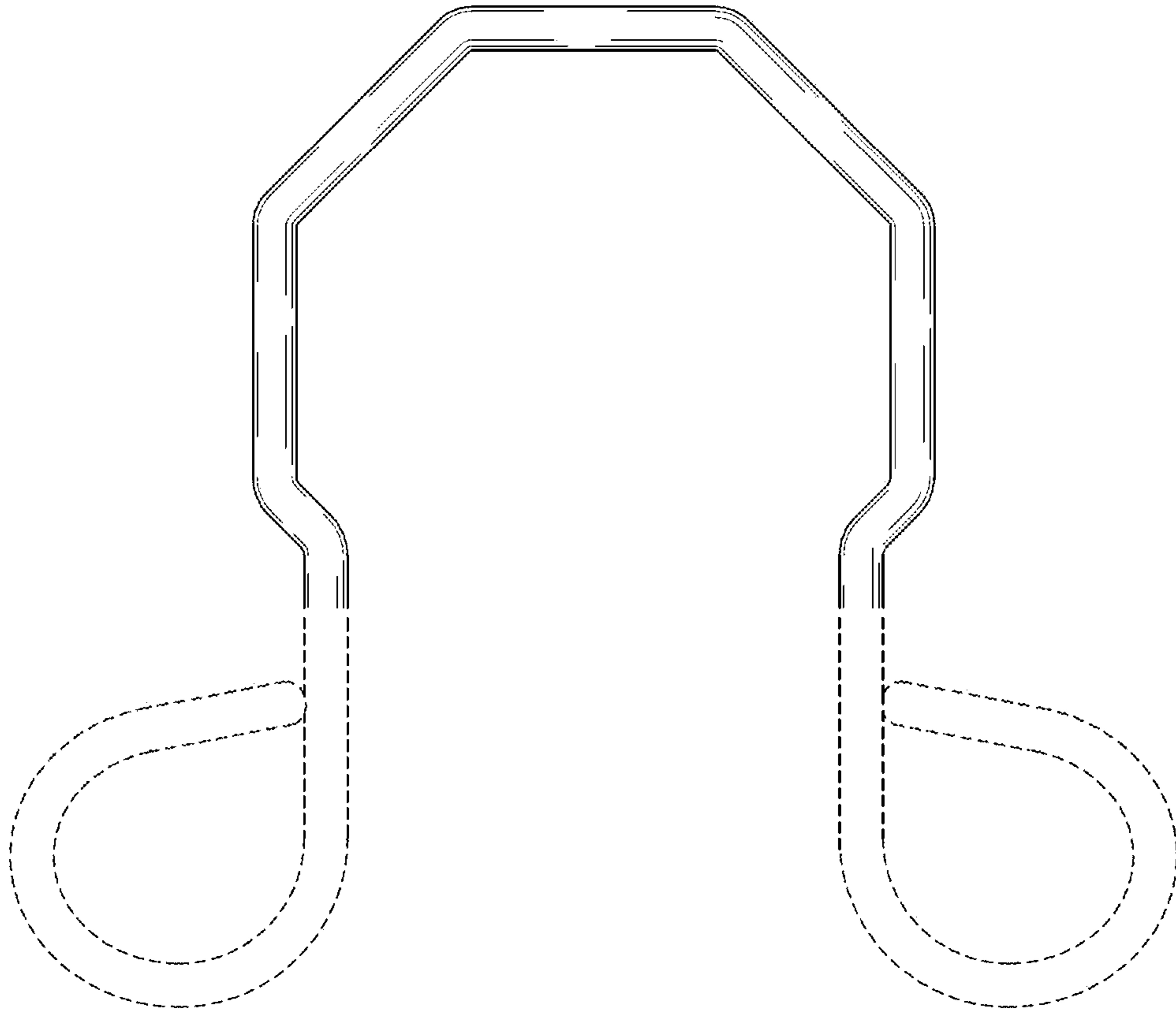
**1 Claim, 6 Drawing Sheets**



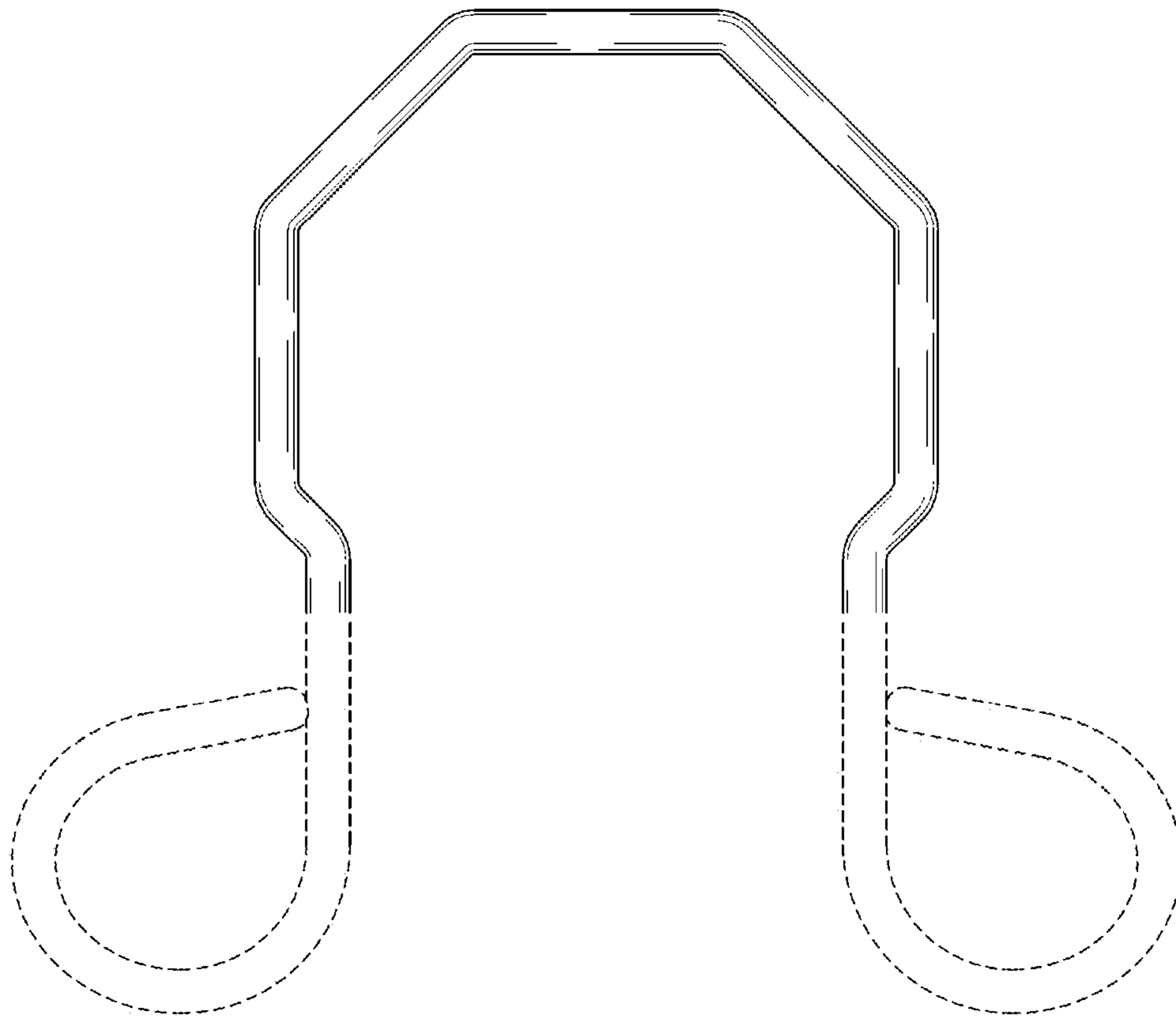




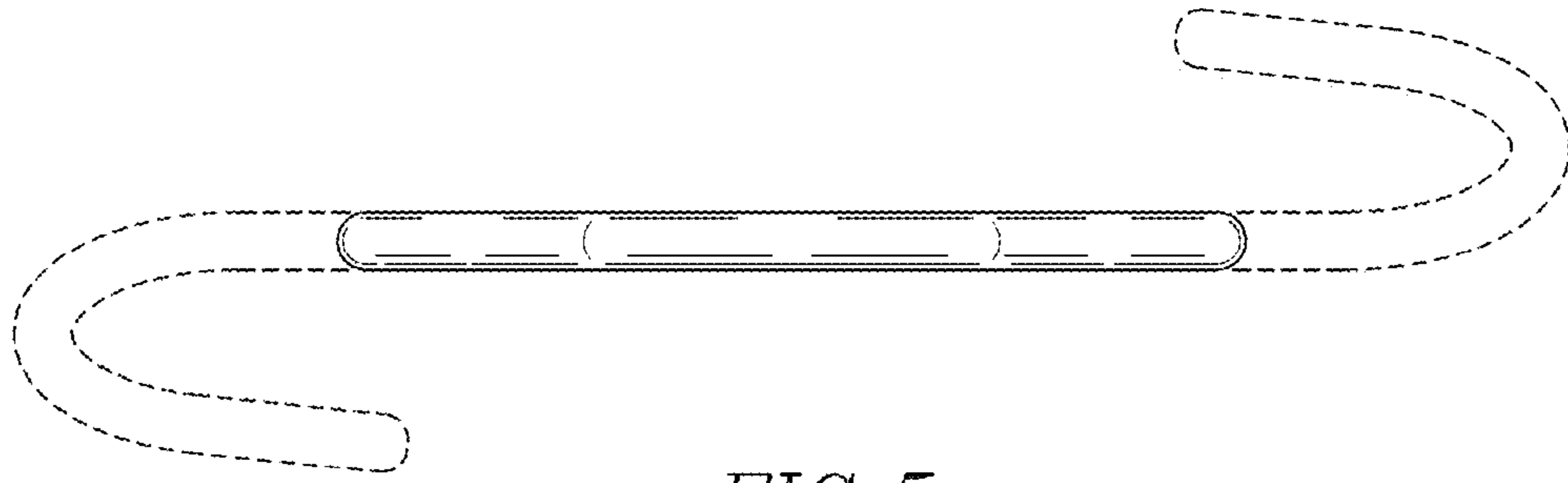
*FIG. 2*



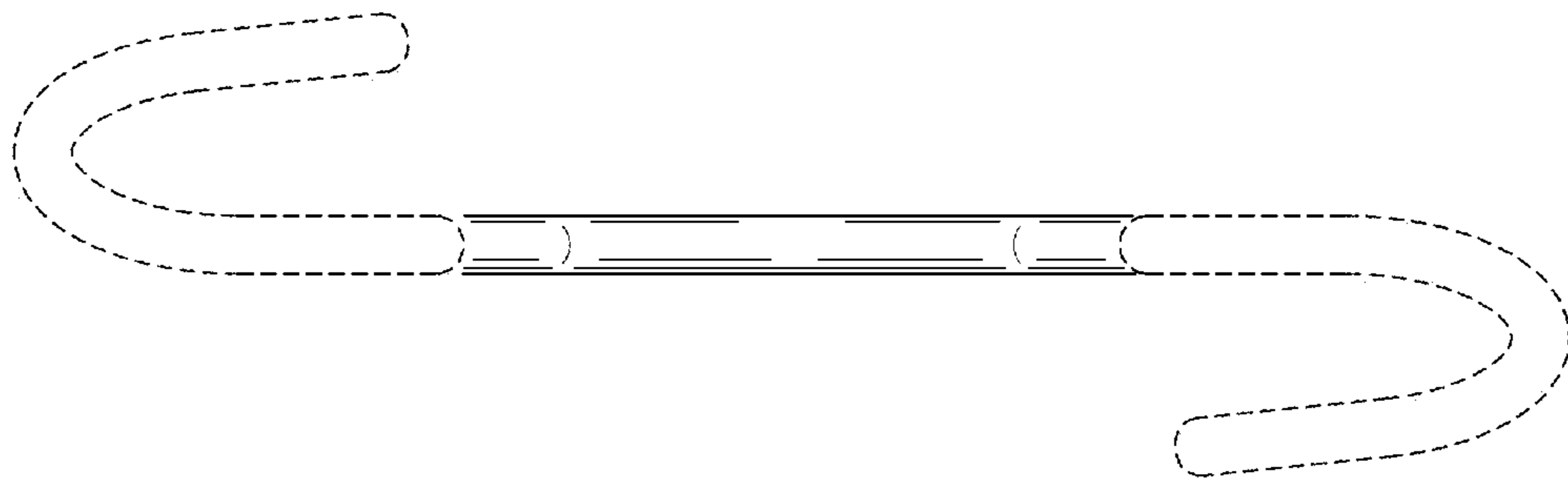
*FIG. 3*



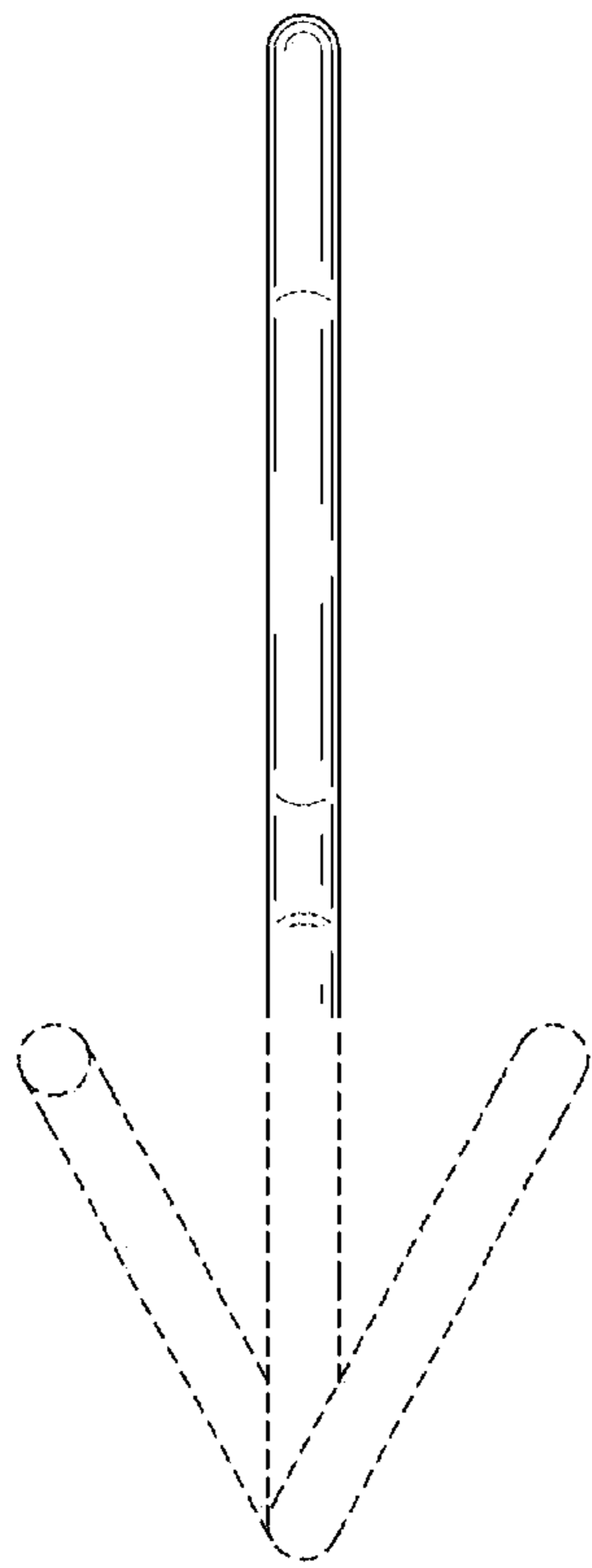
*FIG. 4*



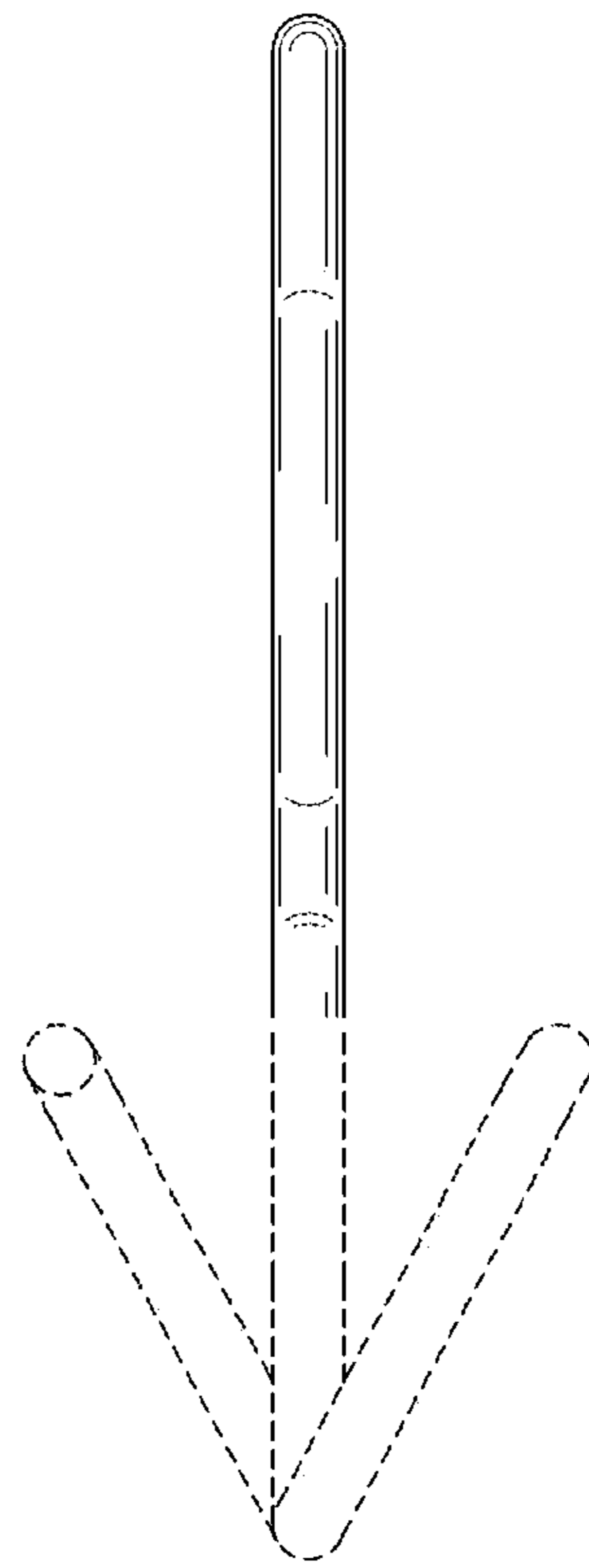
*FIG. 5*



*FIG. 6*



*FIG. 7*



*FIG. 8*