



US00D969749S

(12) **United States Design Patent**  
**Ito et al.**

(10) **Patent No.:** **US D969,749 S**  
(45) **Date of Patent:** **\*\* Nov. 15, 2022**

(54) **MEZZANINE CONNECTOR HOUSING**

(71) Applicant: **YAMAICHI ELECTRONICS CO., LTD.**, Tokyo (JP)

(72) Inventors: **Toshiyasu Ito**, Tokyo (JP); **Yosuke Takai**, Tokyo (JP); **Taichi Enjoji**, Tokyo (JP)

(73) Assignee: **YAMAICHI ELECTRONICS CO., LTD.**, Tokyo (JP)

(\*\*) Term: **15 Years**

(21) Appl. No.: **29/817,962**

(22) Filed: **Dec. 6, 2021**

**Related U.S. Application Data**

(62) Division of application No. 29/737,412, filed on Jun. 9, 2020, now Pat. No. Des. 949,799.

(51) **LOC (13) Cl.** ..... **13-03**

(52) **U.S. Cl.**  
USPC ..... **D13/147**; D13/133

(58) **Field of Classification Search**  
USPC ..... D13/107, 110, 118, 120, 123, 125, 133, D13/146-147, 149, 154, 184, 199  
CPC .... H01R 13/24; H01R 13/50; H01R 13/2492; H01R 13/6582; H01R 43/20; H01R 12/79; H01R 12/716; H01R 13/187; H01R 13/6471; H01R 13/6477; H01L 23/49861; H02B 1/056; H05K 7/1061  
See application file for complete search history.

(56) **References Cited**

**U.S. PATENT DOCUMENTS**

6,293,810 B1 \* 9/2001 Goodwin ..... H05K 7/1061  
439/71  
6,918,776 B2 \* 7/2005 Spink, Jr. .... H01R 12/716  
439/74

D540,258 S \* 4/2007 Peng ..... D13/147  
D611,420 S \* 3/2010 Takada ..... D13/147  
D611,421 S \* 3/2010 Takada ..... D13/147  
D611,908 S \* 3/2010 Takada ..... D13/147  
8,047,874 B2 \* 11/2011 Ito ..... H01R 12/79  
439/607.1  
D733,662 S \* 7/2015 Harper, Jr. .... D13/147  
D949,799 S \* 4/2022 Ito ..... D13/133  
D958,090 S \* 7/2022 Buck ..... D13/147  
2005/0170700 A1 \* 8/2005 Shuey ..... H01R 13/6477  
439/701

(Continued)

**OTHER PUBLICATIONS**

Molex, Date: Jul. 23, 2019, [online], [site visited Nov. 16, 2021]. Available from internet, URL: [https://www.molex.com/molex/products/part-detail/pcb\\_headers/2091411110](https://www.molex.com/molex/products/part-detail/pcb_headers/2091411110) (Year: 2019).\*

*Primary Examiner* — Shawn T Gingrich

*Assistant Examiner* — Bryan N. Melvin

(74) *Attorney, Agent, or Firm* — Westbridge IP LLC

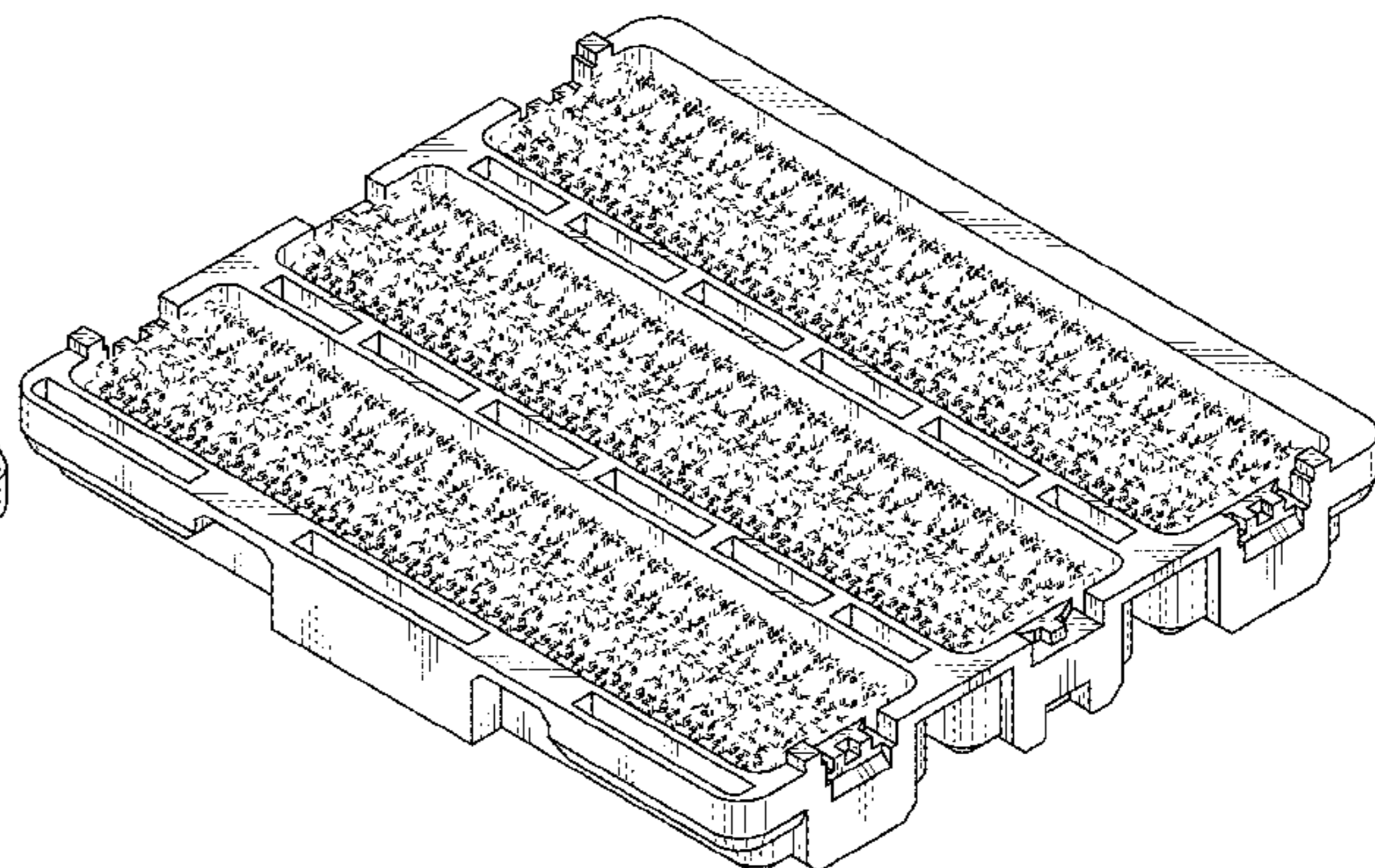
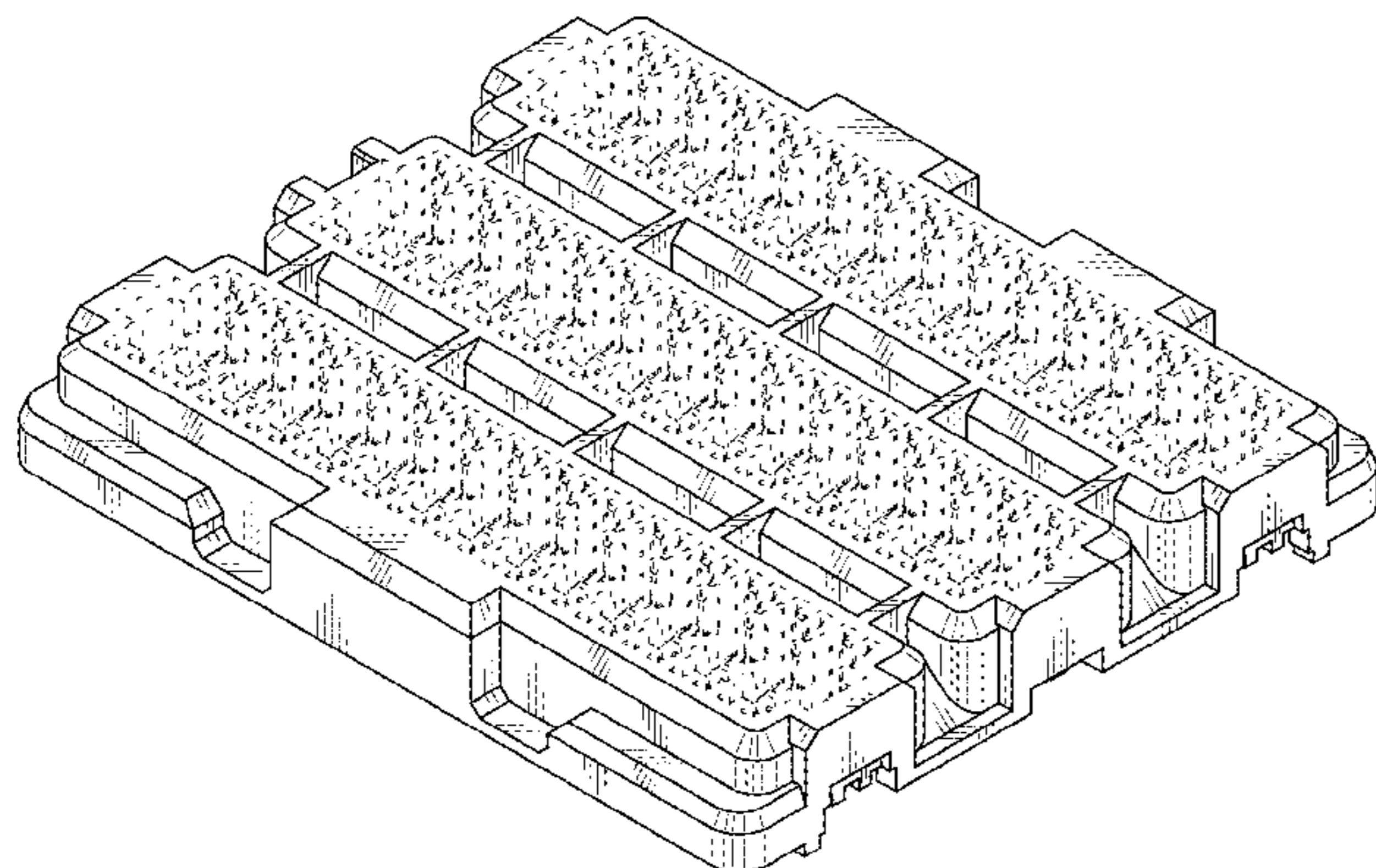
(57) **CLAIM**

The ornamental design for a mezzanine connector housing, as shown and described.

**DESCRIPTION**

FIG. 1 is a top perspective view of a mezzanine connector housing showing our new design; FIG. 2 is a bottom perspective view thereof; FIG. 3 is a front elevational view thereof; FIG. 4 is a rear elevational view thereof; FIG. 5 is a top plan view thereof; FIG. 6 is a bottom plan view thereof; FIG. 7 is a left side view thereof; and, FIG. 8 is a right side view thereof. The broken lines shown in the drawings illustrate portions of the mezzanine connector housing which form no part of the claimed design.

**1 Claim, 6 Drawing Sheets**



(56)

**References Cited**

U.S. PATENT DOCUMENTS

2005/0196987 A1\* 9/2005 Shuey ..... H01R 12/716  
439/108  
2019/0089097 A1\* 3/2019 Cho ..... H01R 13/6471  
2021/0184383 A1\* 6/2021 Ito ..... H01R 13/187

\* cited by examiner

FIG. 1

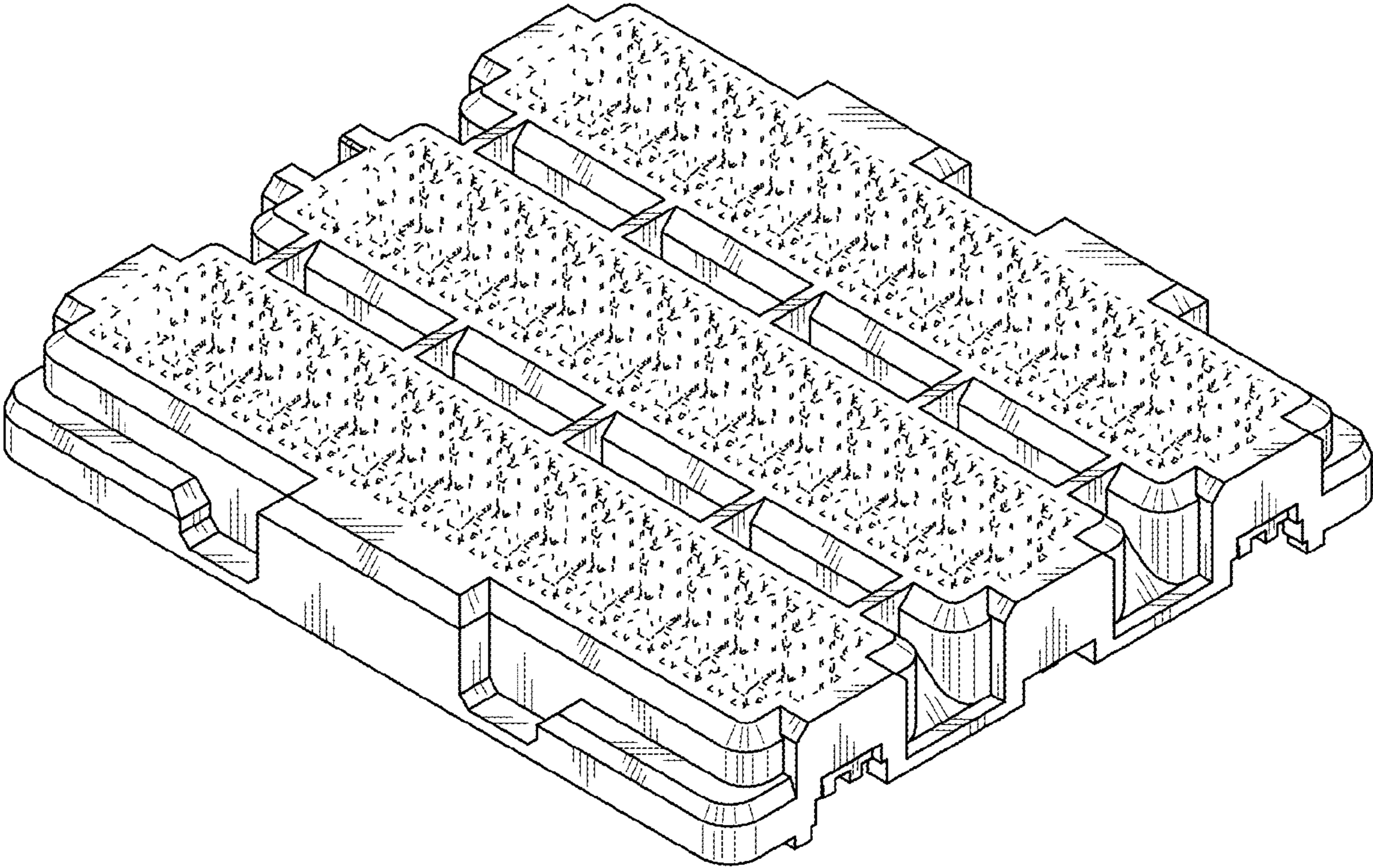


FIG. 2

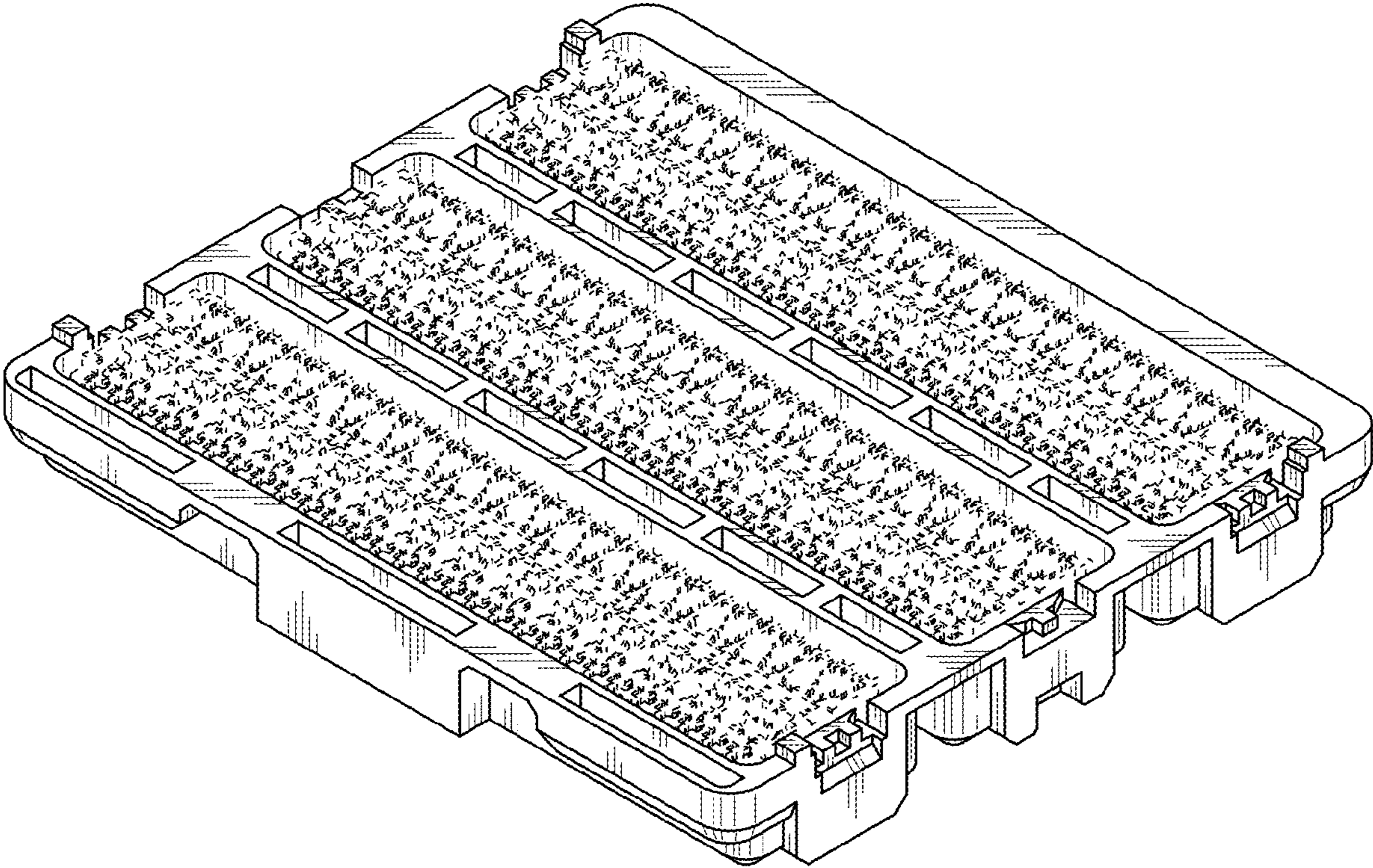


FIG. 3

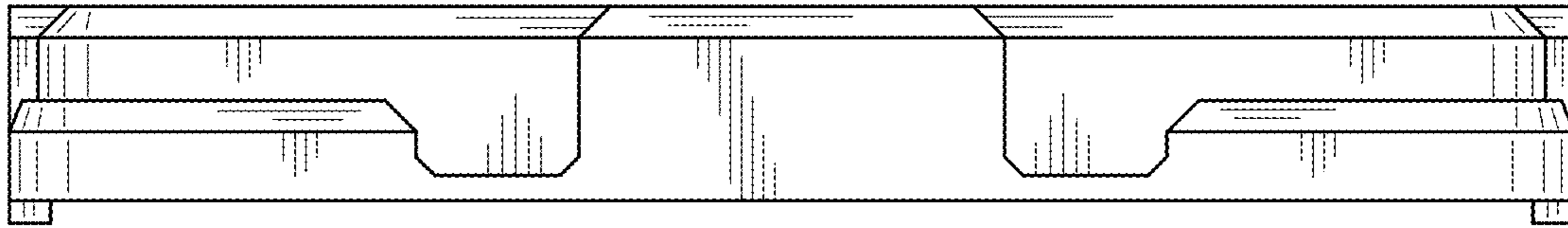


FIG. 4

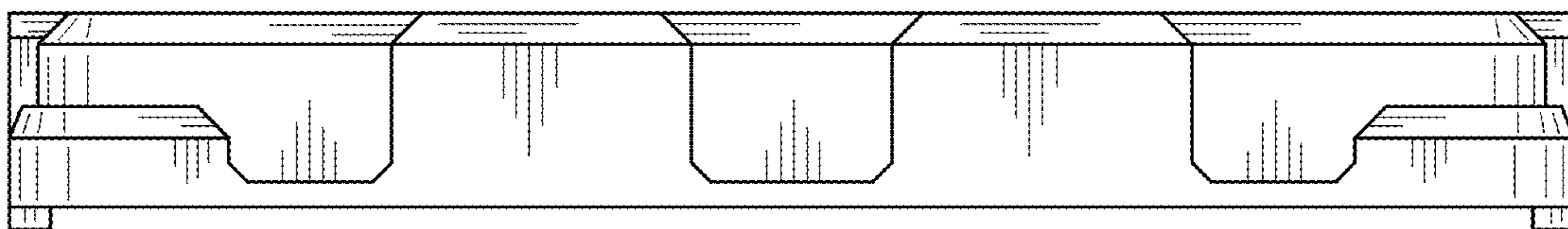


FIG. 5

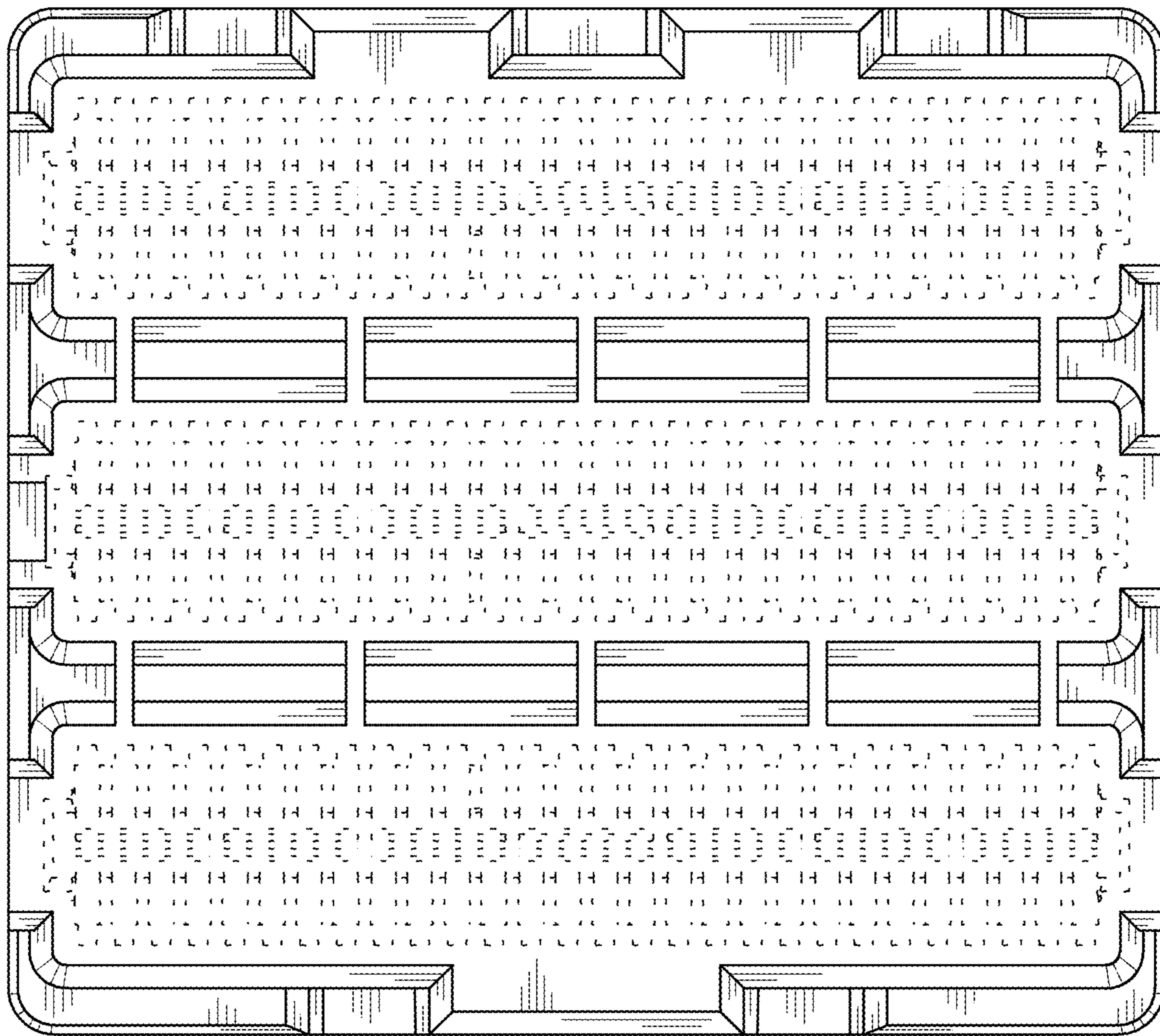


FIG. 6

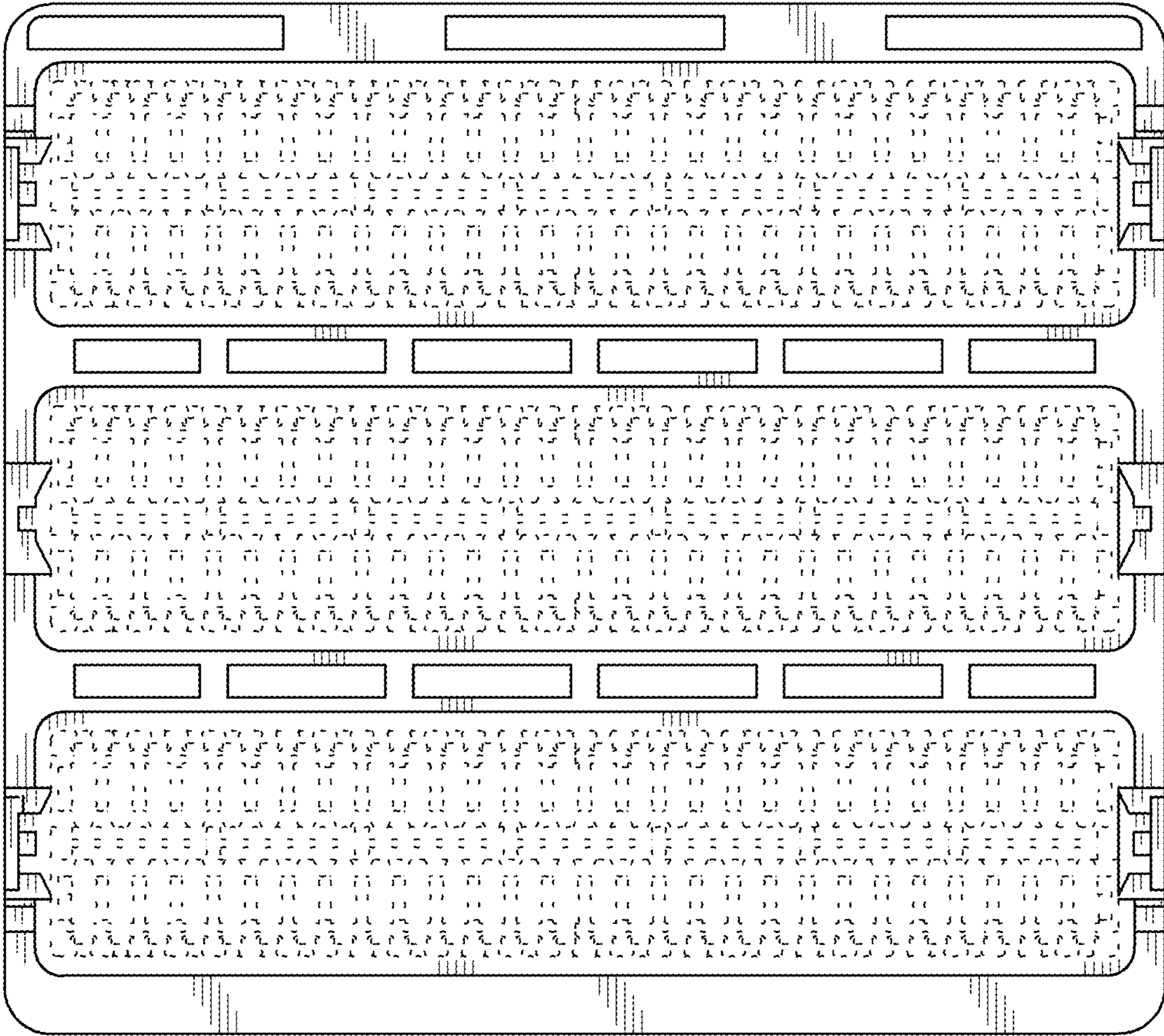


FIG. 7

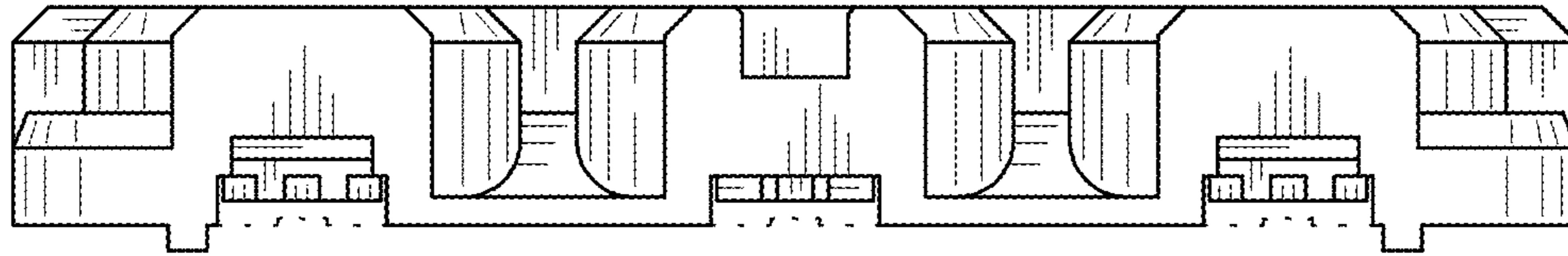


FIG. 8

