

US00D969748S

(12) **United States Design Patent**
Saitou

(10) **Patent No.:** **US D969,748 S**

(45) **Date of Patent:** **** Nov. 15, 2022**

(54) **CONNECTOR**

(71) Applicant: **Japan Aviation Electronics Industry, Limited**, Tokyo (JP)

(72) Inventor: **Kimiaki Saitou**, Tokyo (JP)

(73) Assignee: **JAPAN AVIATION ELECTRONICS INDUSTRY, LIMITED**, Tokyo (JP)

(**) Term: **15 Years**

(21) Appl. No.: **29/740,566**

(22) Filed: **Jul. 6, 2020**

(30) **Foreign Application Priority Data**

Jan. 16, 2020 (JP) 2020-000600 D

(51) **LOC (13) Cl.** **13-03**

(52) **U.S. Cl.**
USPC **D13/147**; D13/133; D13/146

(58) **Field of Classification Search**
USPC D13/119–120, 133–134, 146–147, 149,
D13/153–154, 174, 182, 199; D14/433
CPC H01R 13/5202; H01R 13/6581;
H01R 24/60; H01R 24/64
See application file for complete search history.

(56) **References Cited**

U.S. PATENT DOCUMENTS

D769,196 S * 10/2016 Yokoyama D13/147
D772,165 S * 11/2016 Chien D13/147
9,698,537 B2 * 7/2017 Yokoyama H01R 24/64
9,748,687 B2 * 8/2017 Yokoyama H01R 13/6581
D804,424 S * 12/2017 Yokoyama D13/147
D808,341 S * 1/2018 Kimura D13/147
D808,342 S * 1/2018 Yamaguchi D13/147
D837,161 S * 1/2019 Yokoyama D13/147

D884,649 S * 5/2020 Ehrensvärd D13/147
11,211,731 B2 * 12/2021 Oosaka H01R 24/60
D941,248 S * 1/2022 Obata D13/147
D941,249 S * 1/2022 Obata D13/147
D947,785 S * 4/2022 Ehrensvärd D13/147
2017/0324188 A1 * 11/2017 Guo H01R 13/5202

* cited by examiner

Primary Examiner — Shawn T Gingrich

Assistant Examiner — Bryan N. Melvin

(74) *Attorney, Agent, or Firm* — Manabu Kanesaka

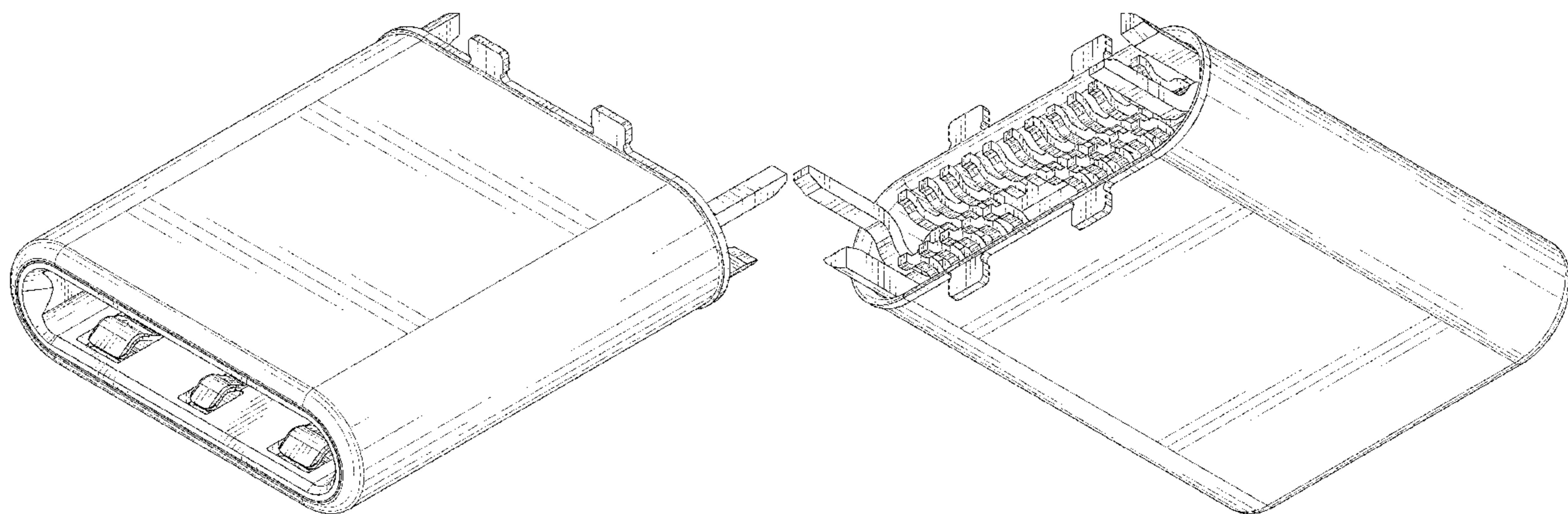
(57) **CLAIM**

The ornamental design for a connector, as shown and described.

DESCRIPTION

FIG. 1 is a front elevational view of a connector showing my new design;
FIG. 2 is a rear elevational view thereof;
FIG. 3 is a right side elevational view thereof;
FIG. 4 is a left side elevational view thereof;
FIG. 5 is a top plan view thereof;
FIG. 6 is a bottom plan view thereof;
FIG. 7 is a perspective view showing a front, top and right side thereof;
FIG. 8 is a perspective view showing a rear, bottom and left side thereof;
FIG. 9 is a perspective view showing a front, right and bottom side thereof; and,
FIG. 10 is a perspective view showing a rear, left and top side thereof.
The broken line showing of the connector is for the purpose of illustrating portions of the article and forms no part of the claimed design.

1 Claim, 5 Drawing Sheets



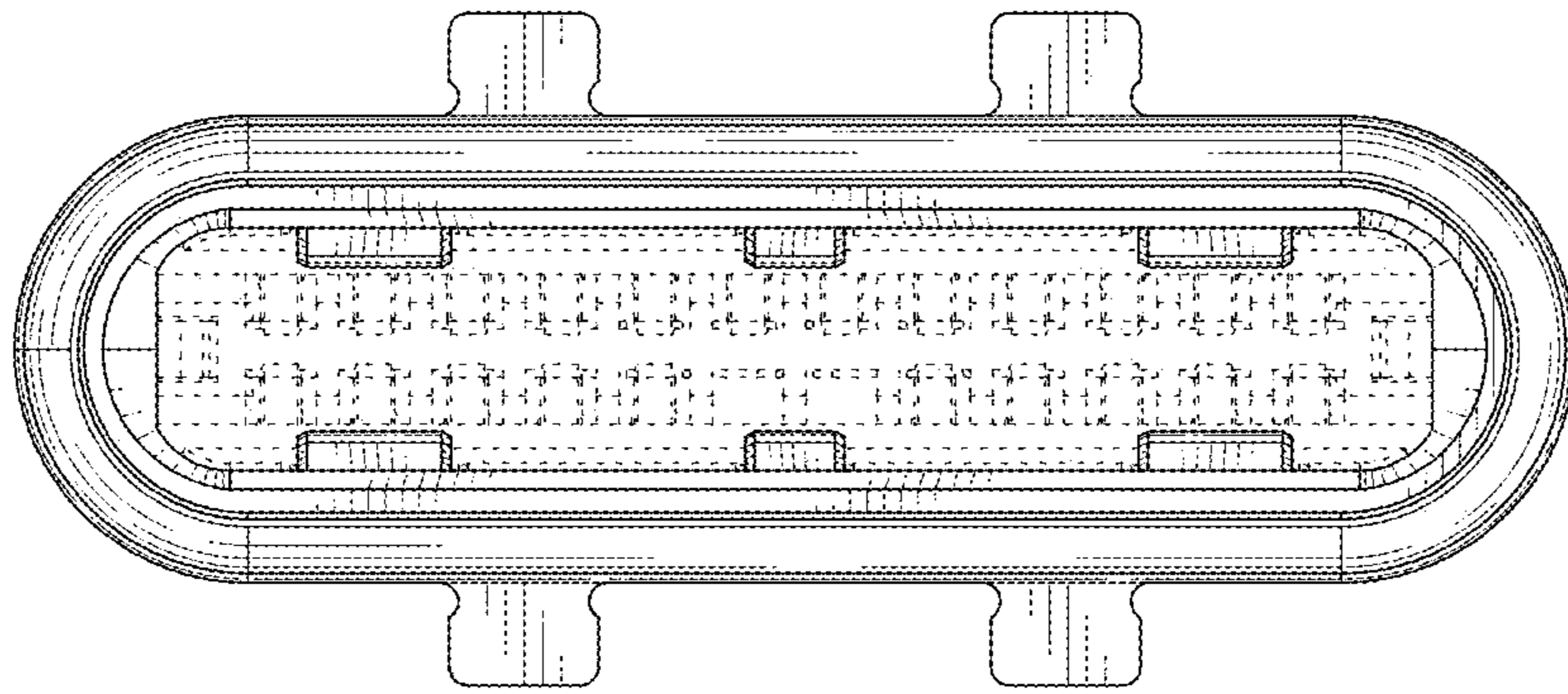


FIG. 1

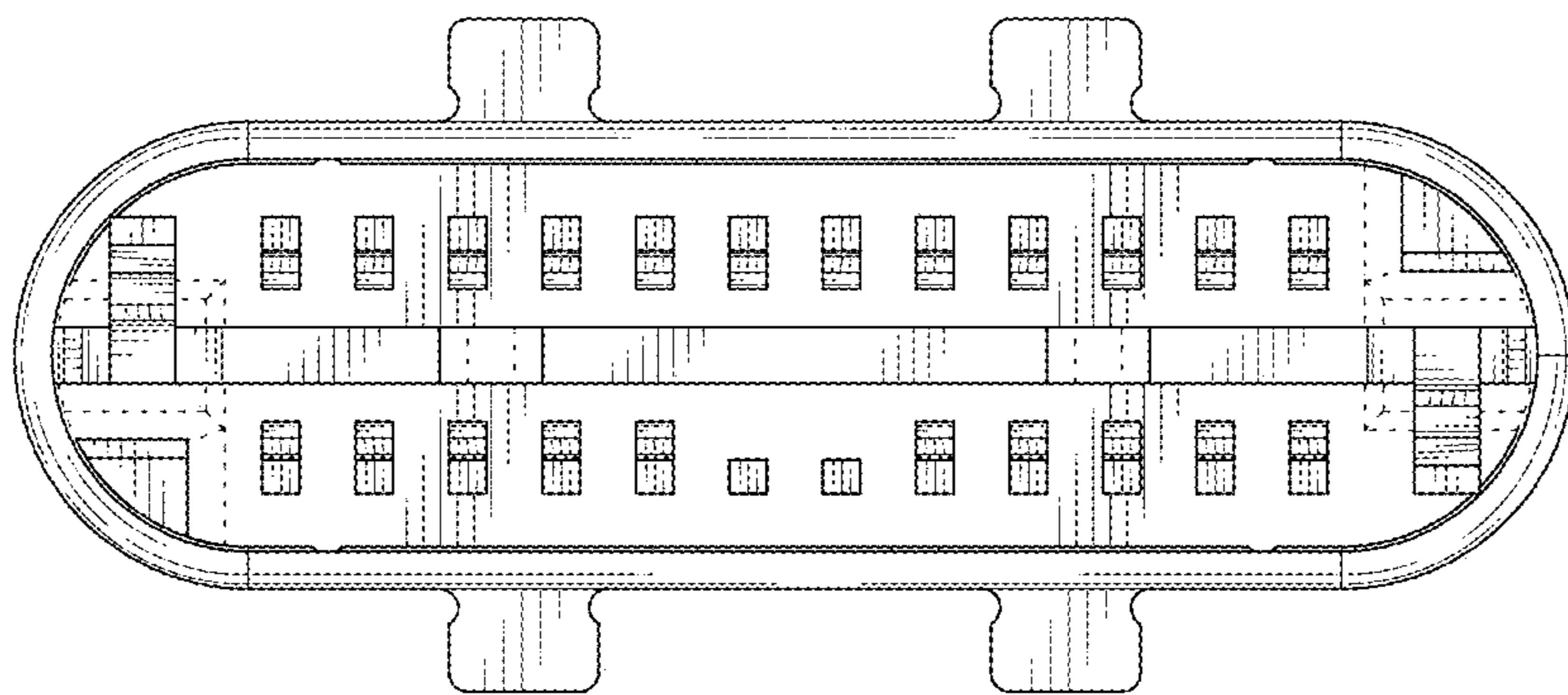


FIG. 2

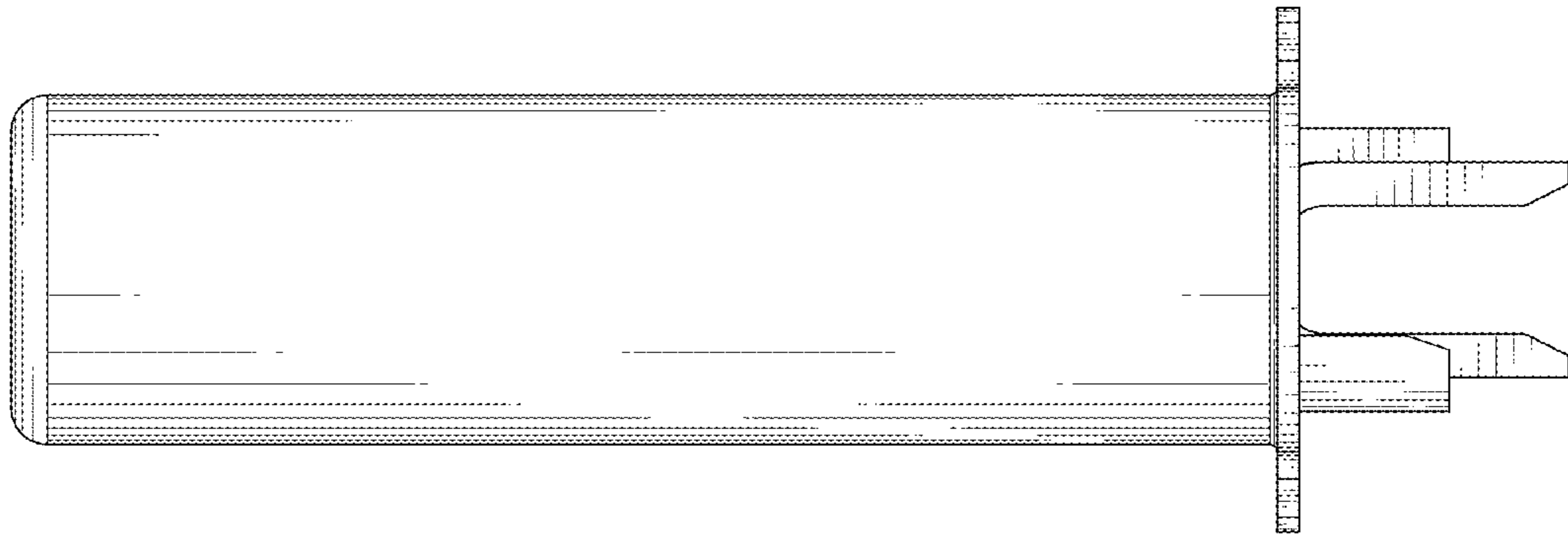


FIG. 3

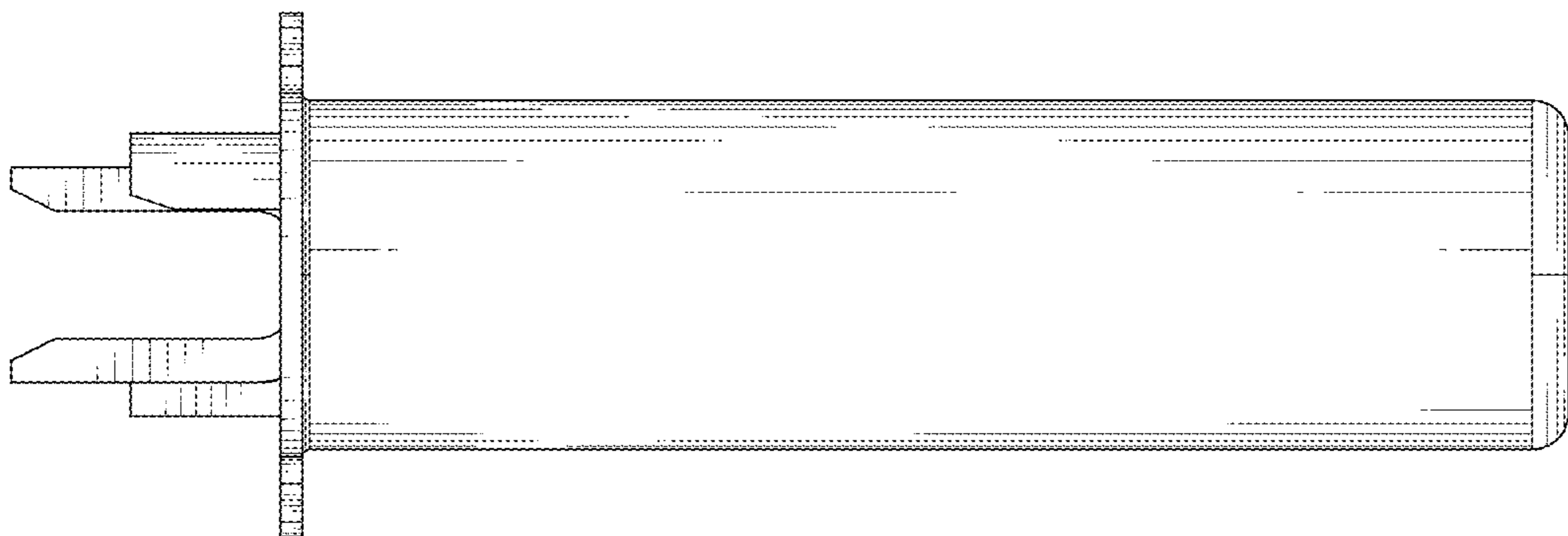


FIG. 4

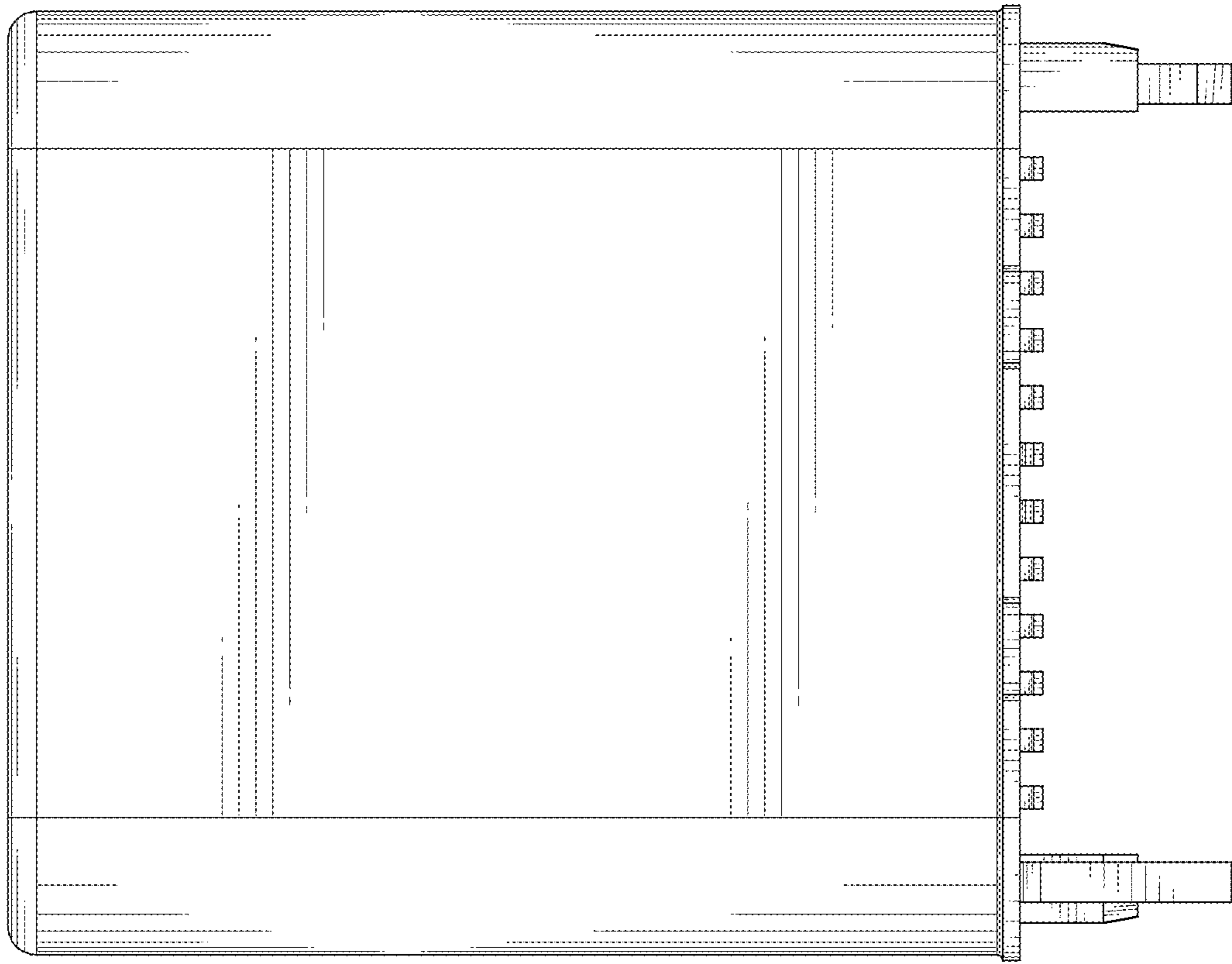


FIG. 6

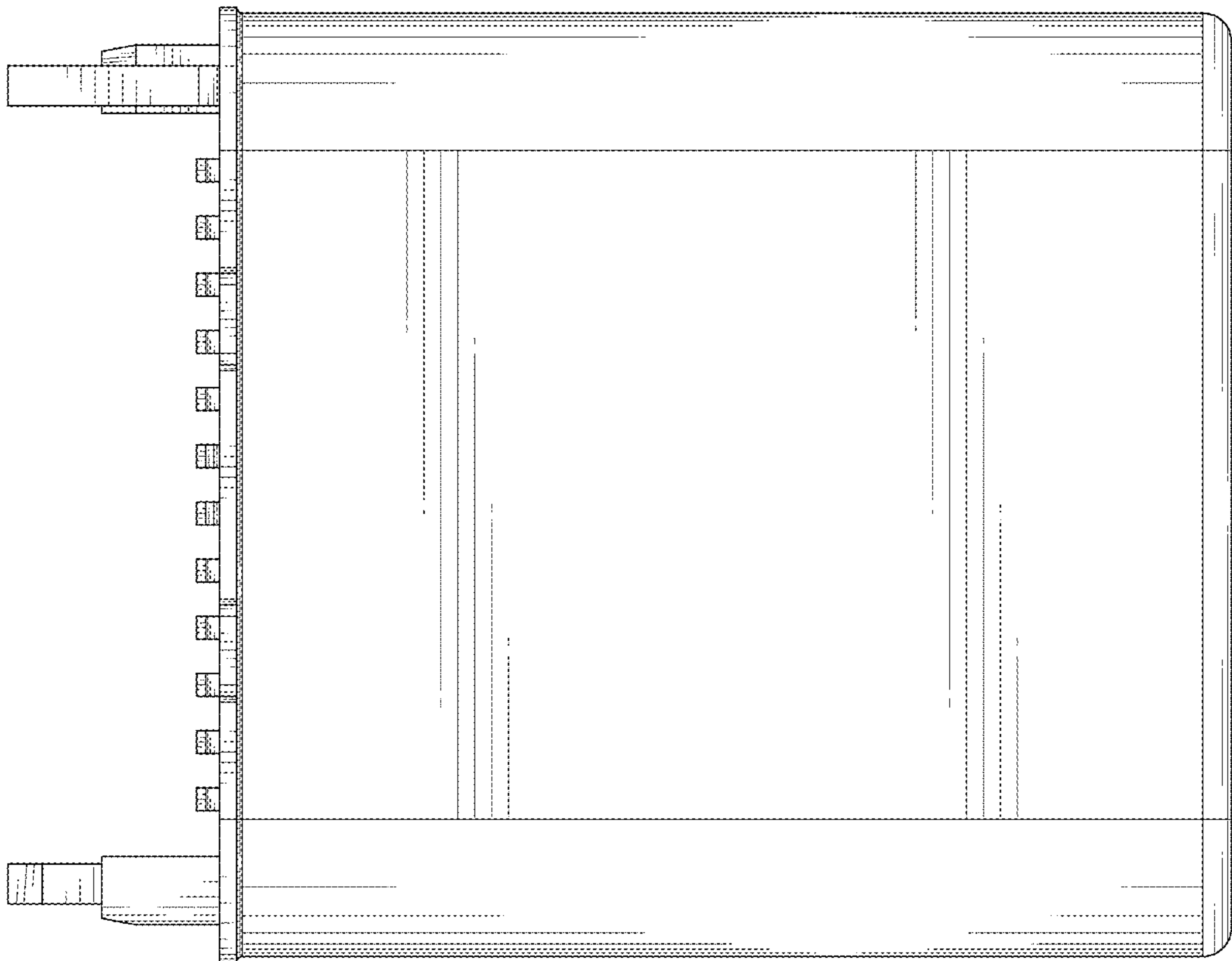


FIG. 5

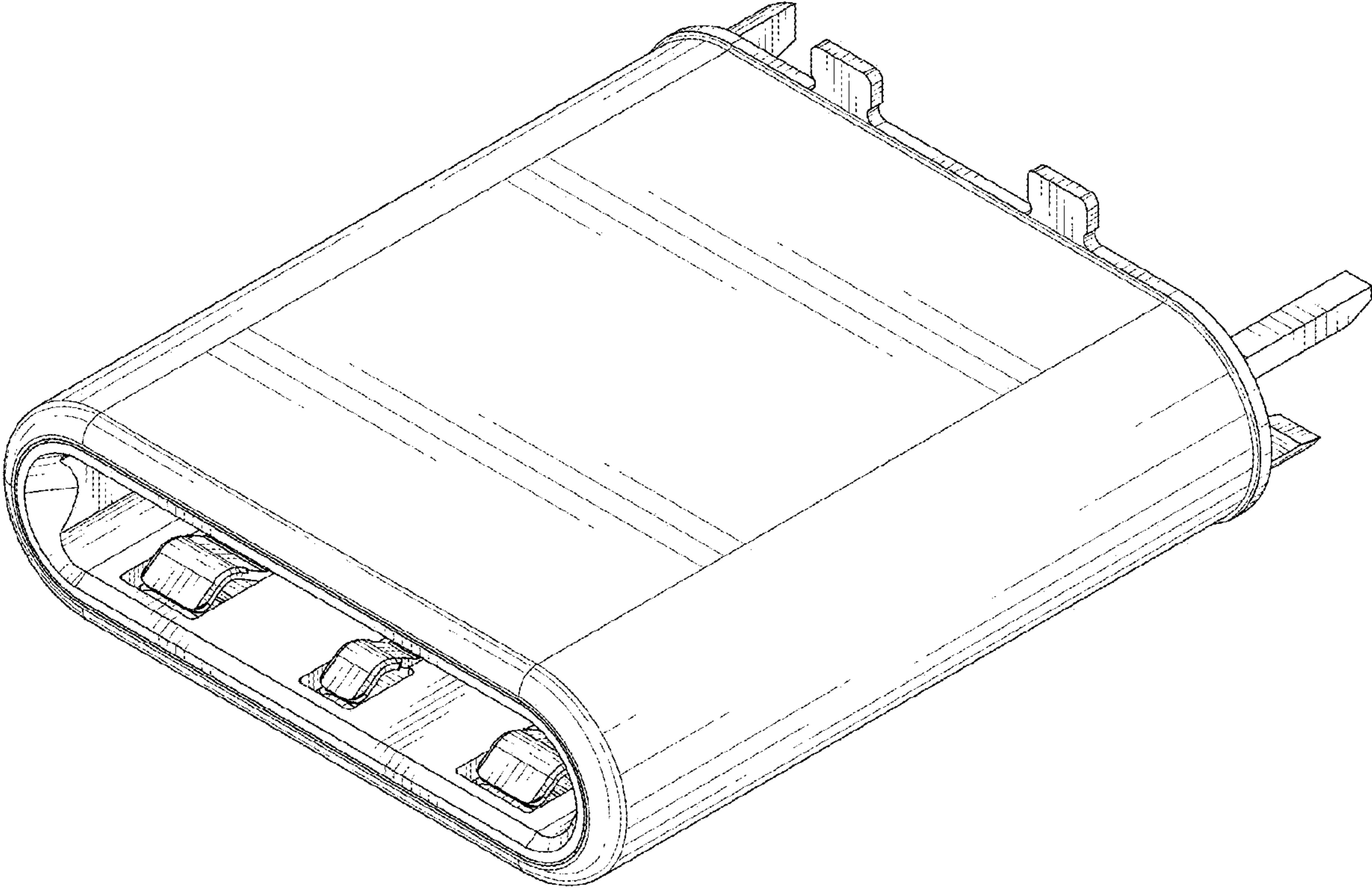


FIG. 7

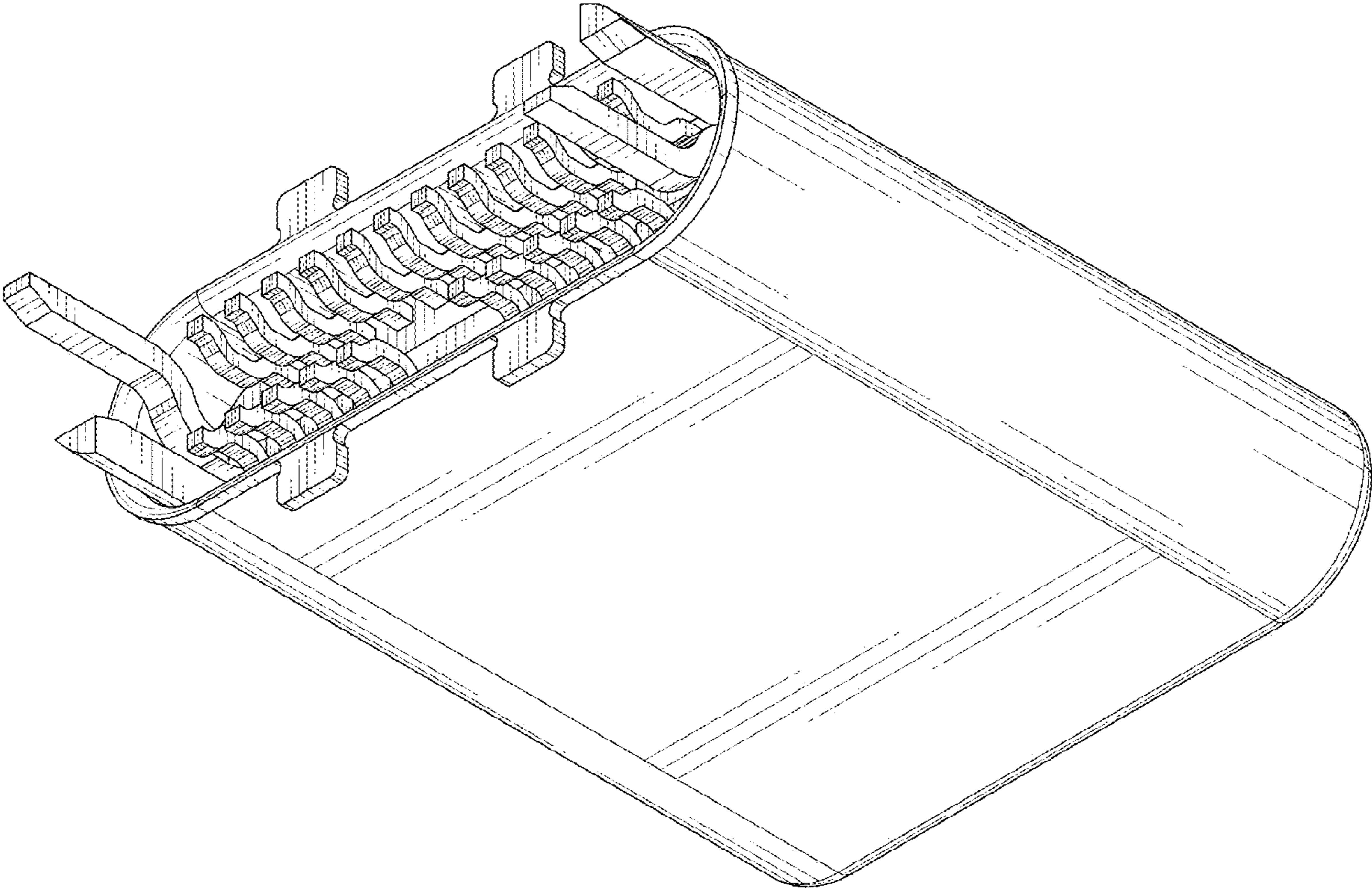


FIG. 8

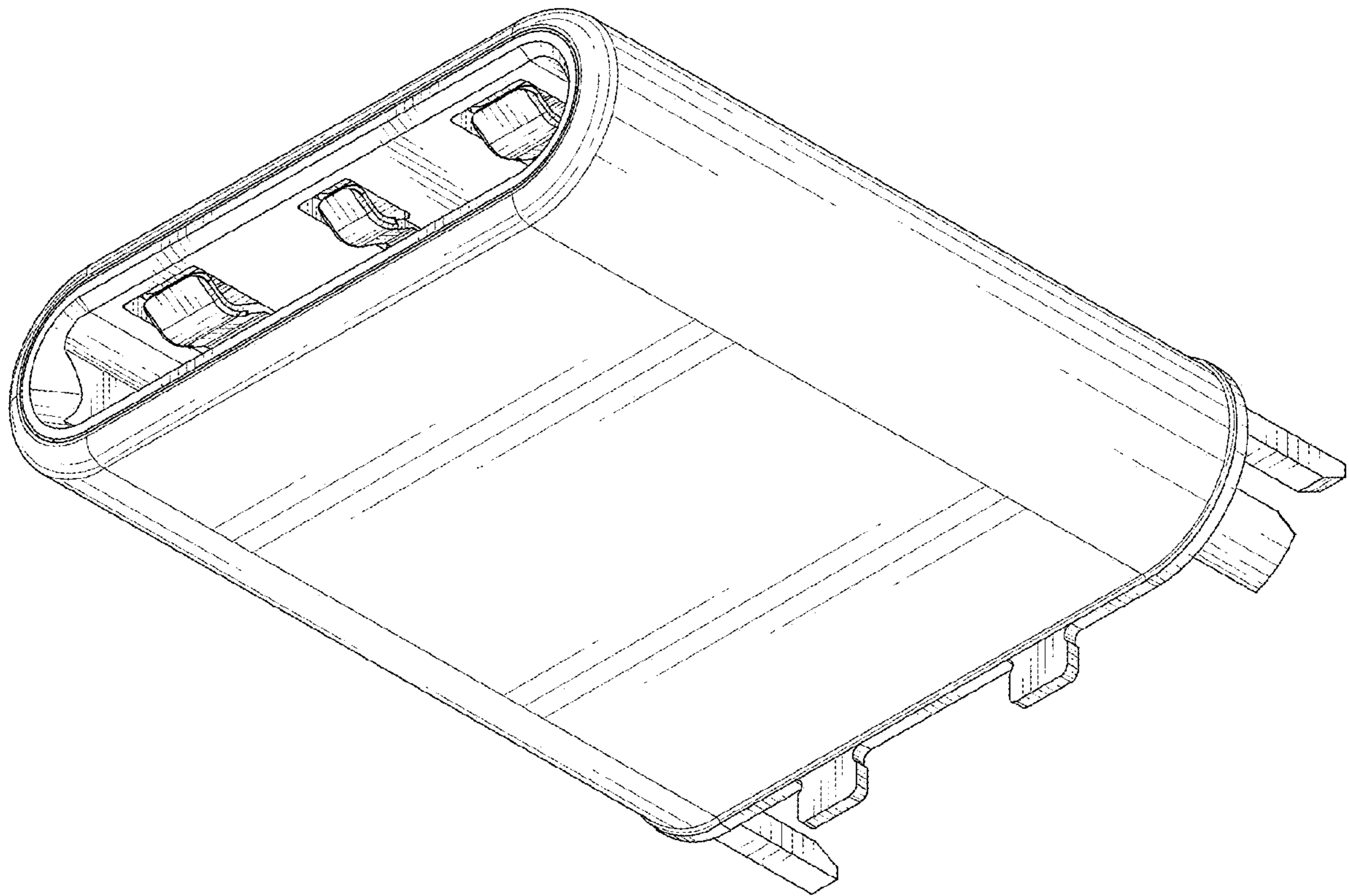


FIG. 9

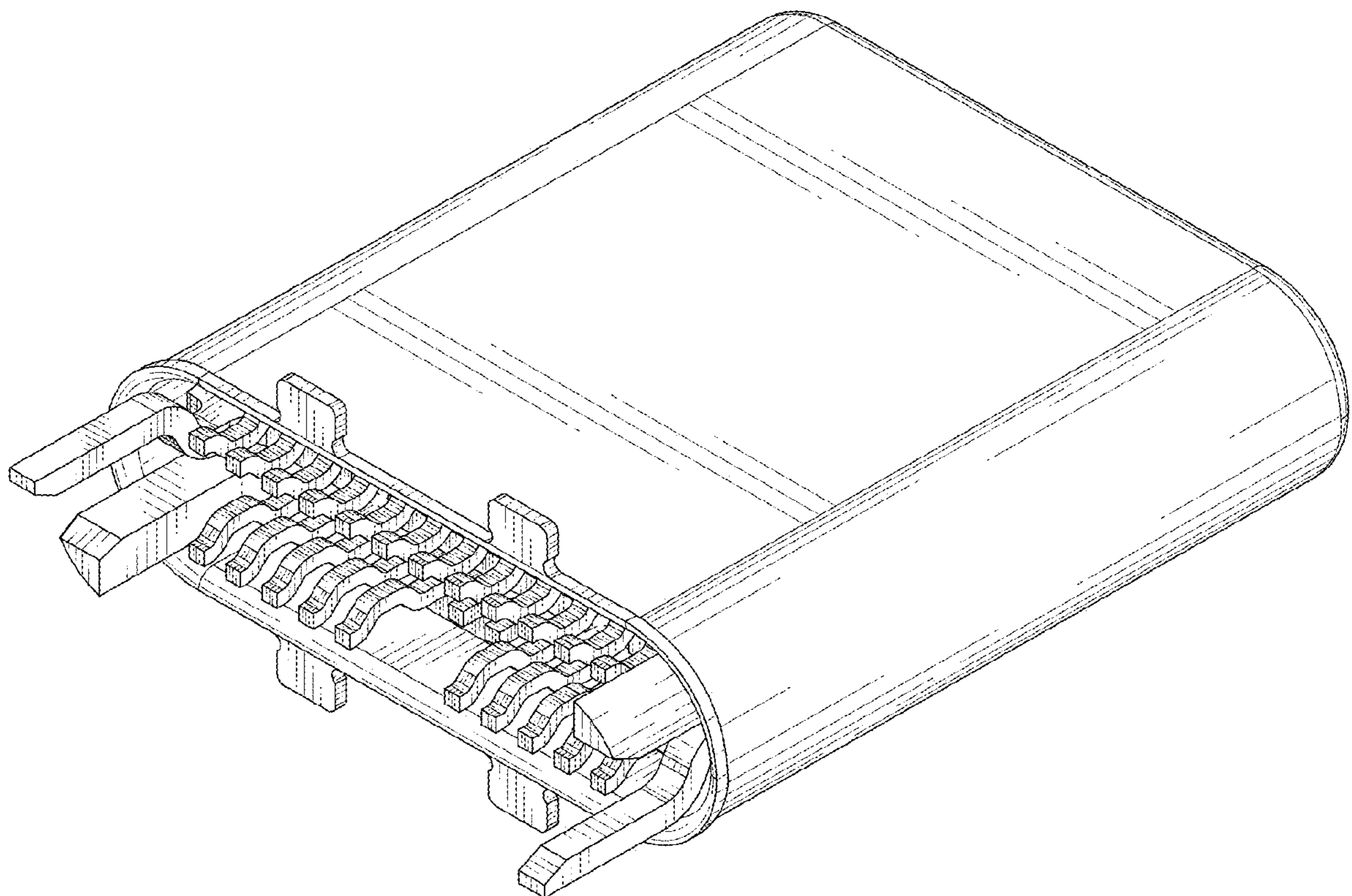


FIG. 10