



US00D969747S

(12) **United States Design Patent**  
**Leeds-Frank et al.**

(10) **Patent No.:** **US D969,747 S**

(45) **Date of Patent:** **\*\* Nov. 15, 2022**

(54) **CAR CHARGER**

(71) Applicant: **iOttie, Inc.**, New York, NY (US)

(72) Inventors: **Jeremy Leeds-Frank**, Mineola, NY (US); **Taeyoung Chang**, Jersey City, NJ (US); **Carlyle Yarbough**, Brooklyn, NY (US); **Eun Young Kim**, Seongnam-si (KR)

(73) Assignee: **iOttie Inc.**, New York, NY (US)

(\*\*) Term: **15 Years**

(21) Appl. No.: **29/788,635**

(22) Filed: **Jul. 6, 2021**

(51) **LOC (13) Cl.** ..... **13-03**

(52) **U.S. Cl.**  
USPC ..... **D13/144**

(58) **Field of Classification Search**  
USPC ..... D13/144, 110; D14/155  
CPC ..... H01R 31/02; H01R 31/065  
See application file for complete search history.

(56) **References Cited**

**U.S. PATENT DOCUMENTS**

D524,285 S \* 7/2006 Dayan ..... D14/155  
D592,598 S \* 5/2009 Kettula ..... D13/108

D626,507 S \* 11/2010 Riede ..... D13/144  
7,937,040 B2 \* 5/2011 Dayan ..... H04B 1/034  
455/66.1  
D641,342 S \* 7/2011 Chang ..... D14/240  
D875,062 S \* 2/2020 Du ..... D14/155  
D898,697 S \* 10/2020 Du ..... D14/155  
D915,288 S \* 4/2021 Roberts ..... D13/144  
D932,455 S \* 10/2021 Zhou ..... D14/155

\* cited by examiner

*Primary Examiner* — Jennifer O King

(74) *Attorney, Agent, or Firm* — ArentFox Schiff LLP

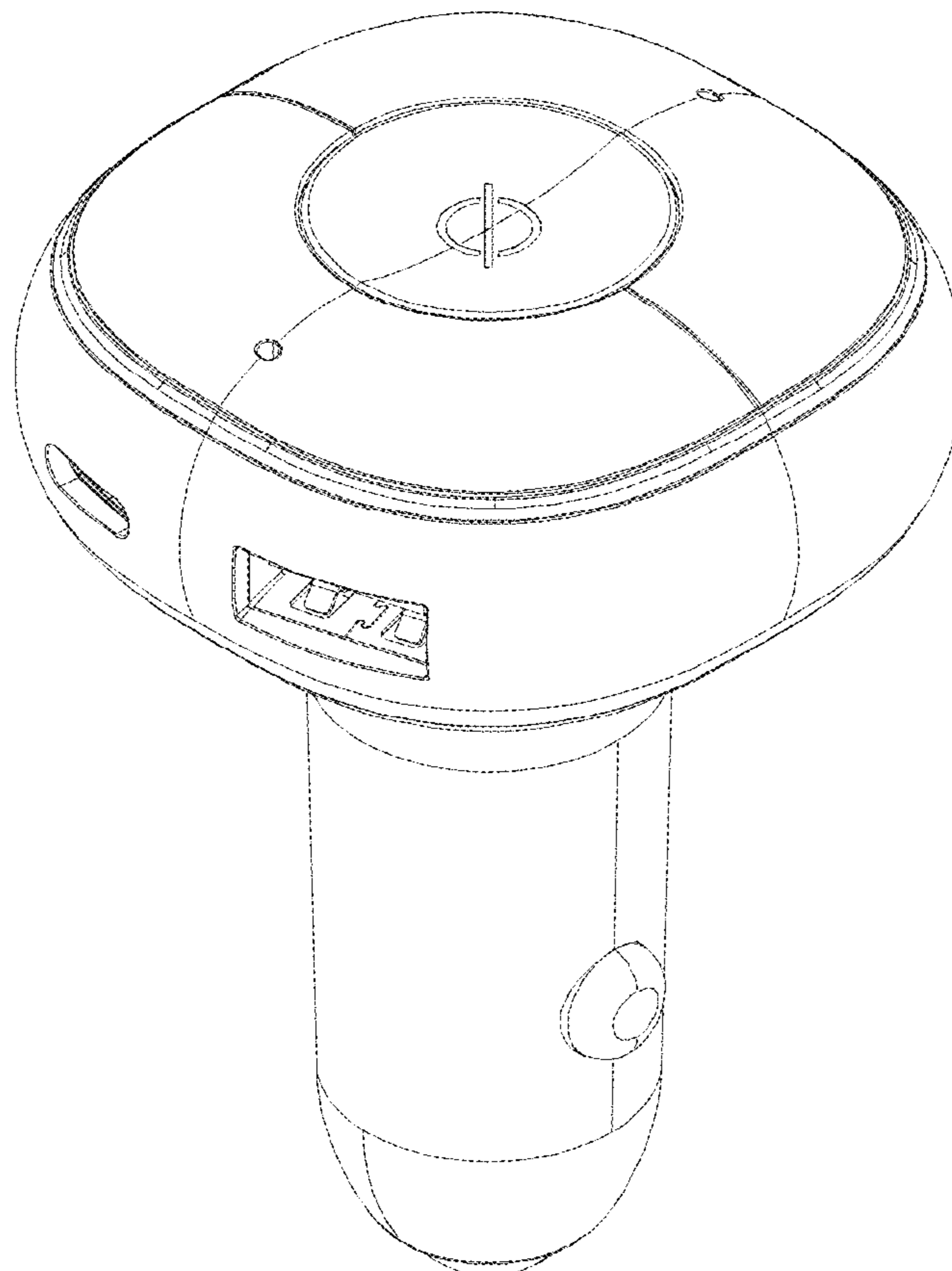
(57) **CLAIM**

The ornamental design for a car charger, as shown and described.

**DESCRIPTION**

FIG. 1 is a front view of our new design for a car charger; FIG. 2 is a right side view thereof; FIG. 3 is a left side view thereof; FIG. 4 is a rear view thereof; FIG. 5 is a top view thereof; FIG. 6 is a bottom view thereof; FIG. 7 is a right front top perspective view thereof; FIG. 8 is a right front bottom perspective view thereof; FIG. 9 is a right rear top perspective view thereof; and, FIG. 10 is a right rear bottom perspective view thereof.

**1 Claim, 10 Drawing Sheets**



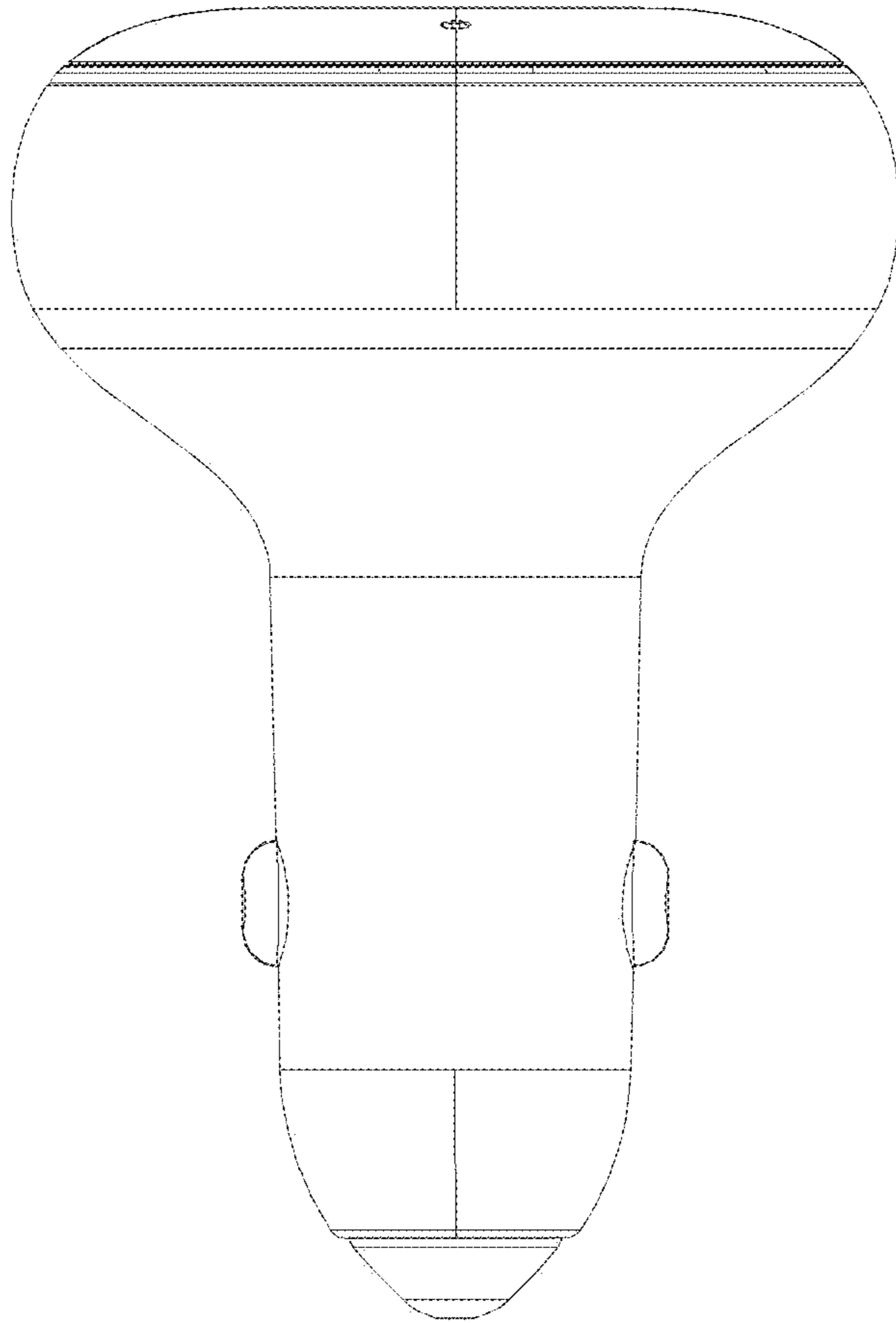


FIG. 1

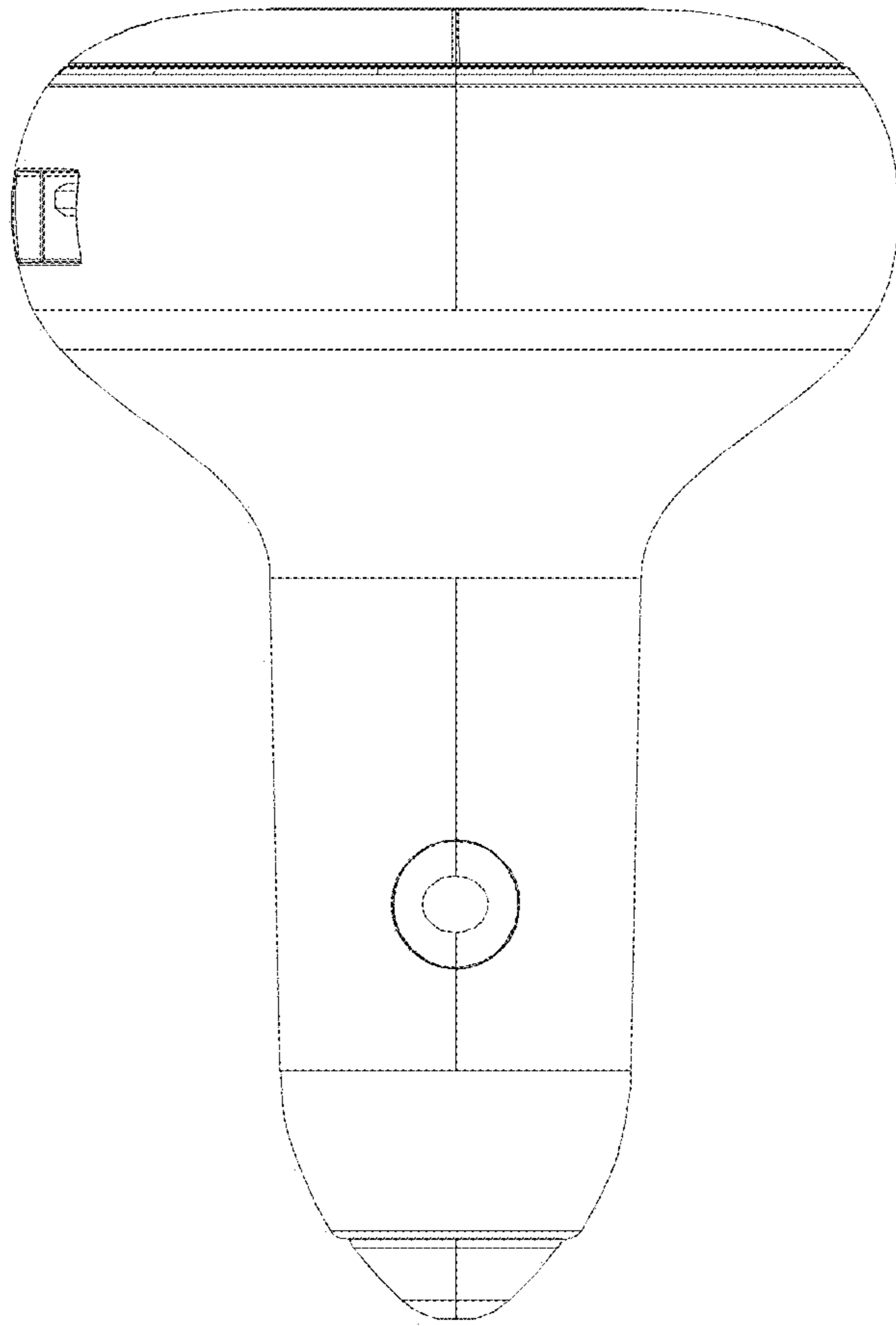


FIG. 2

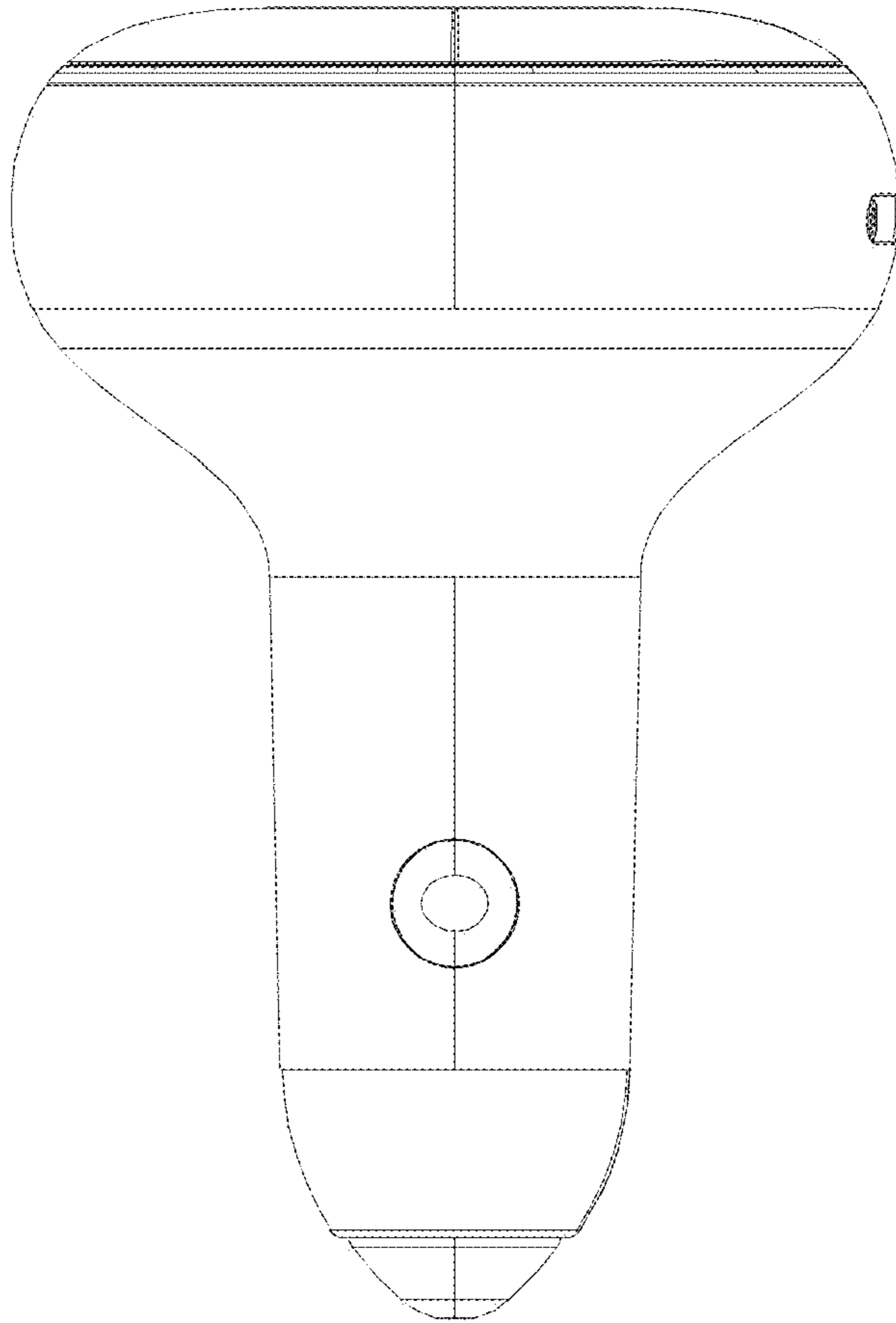


FIG. 3

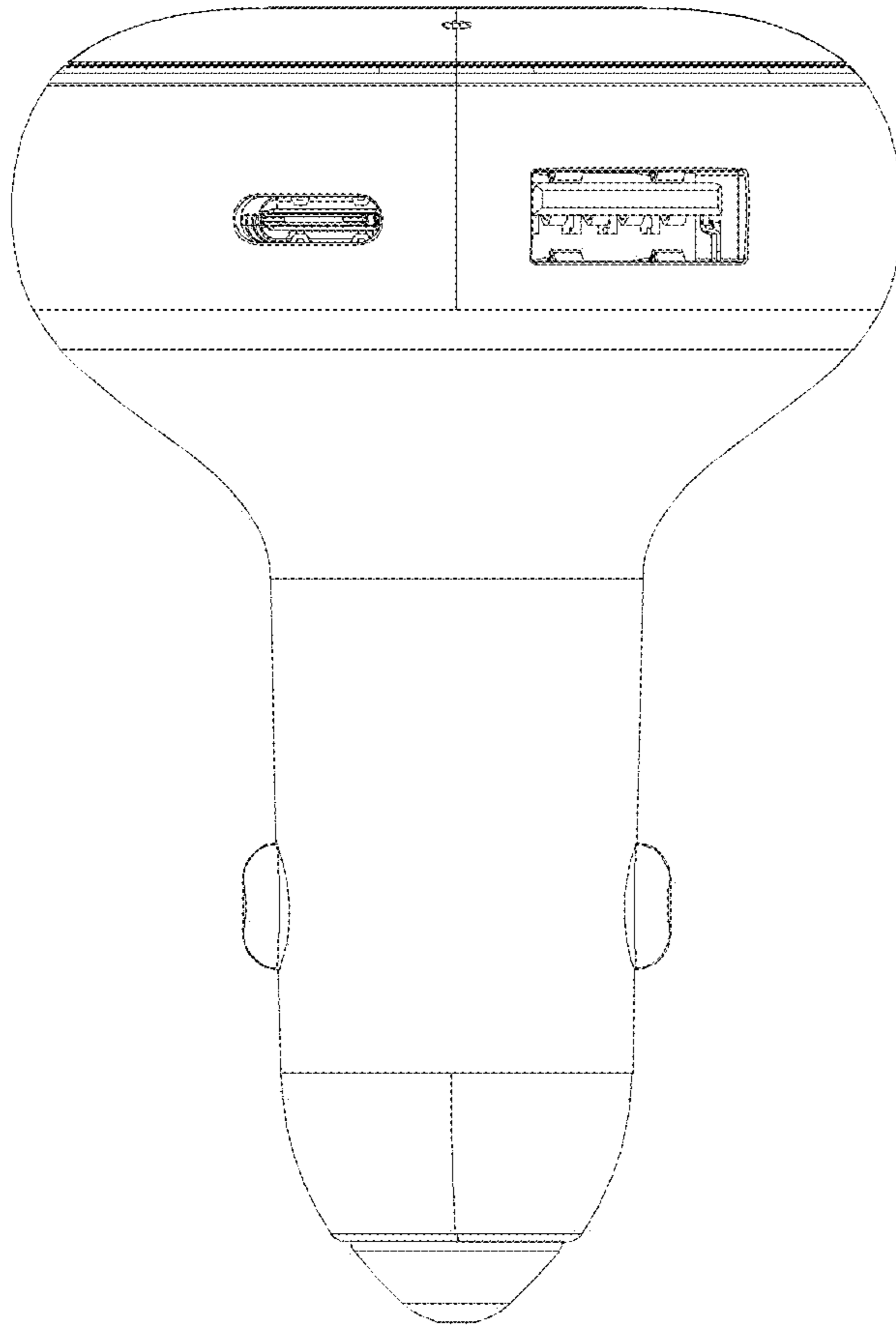


FIG. 4

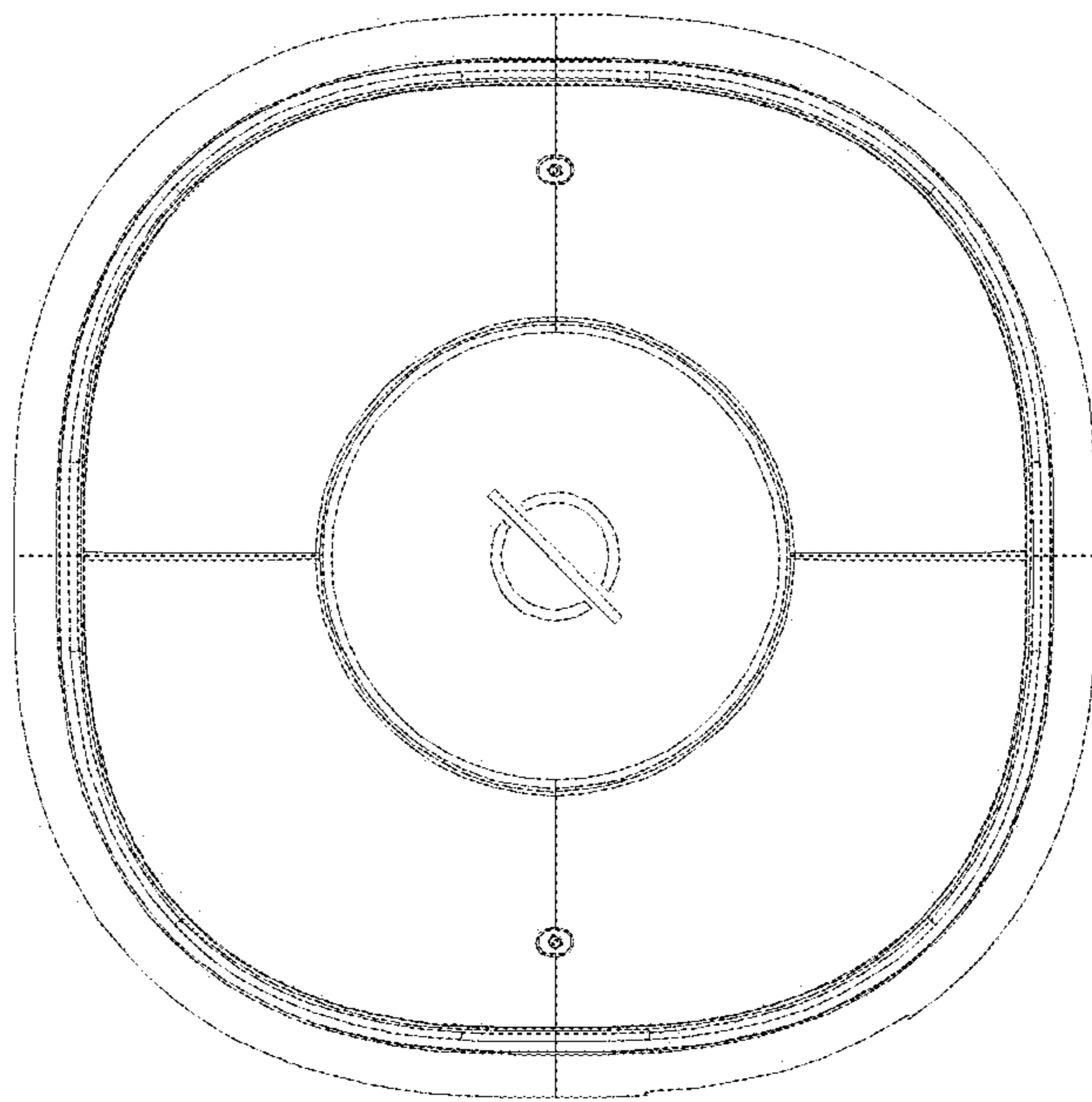


FIG. 5

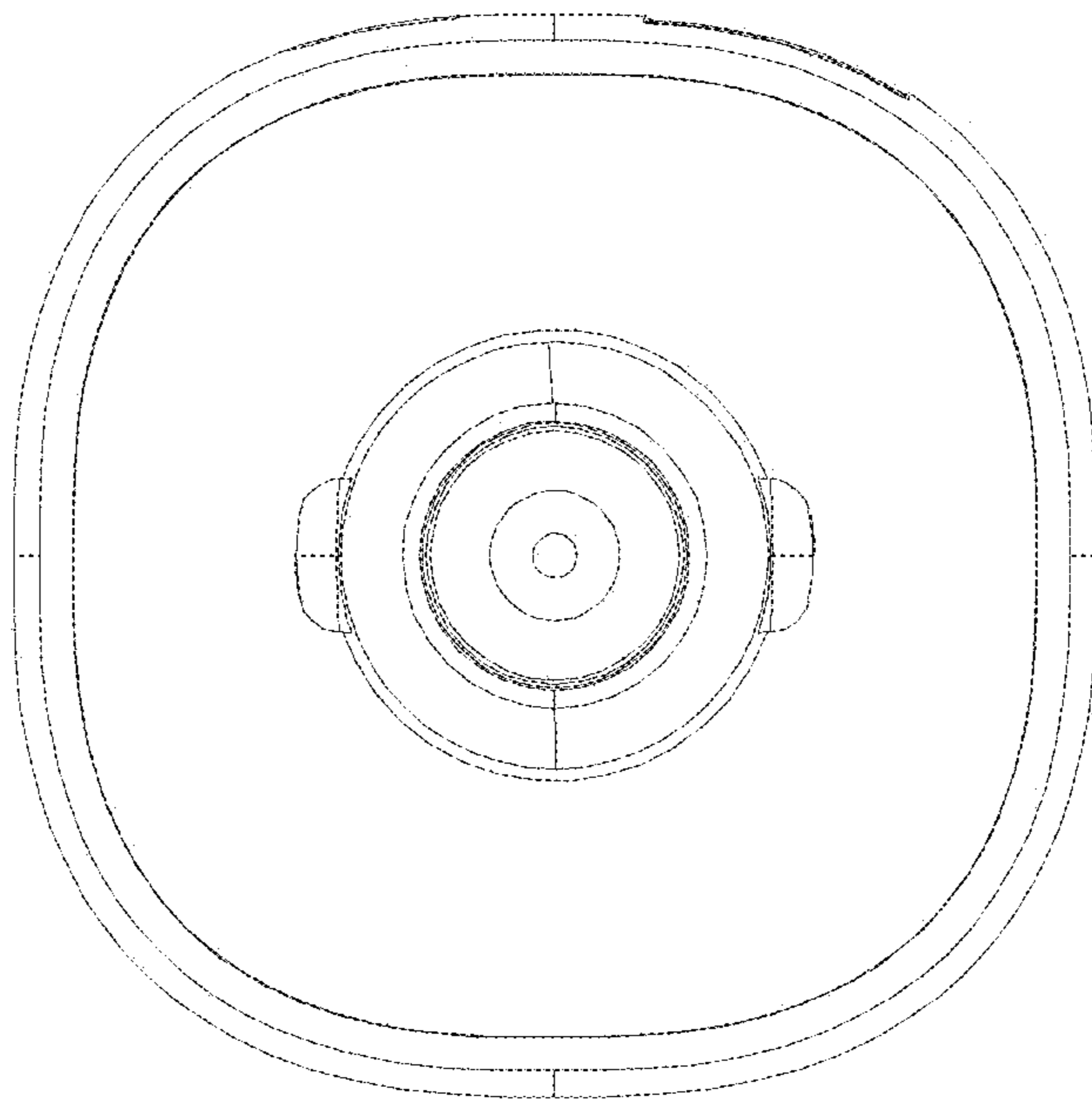


FIG. 6

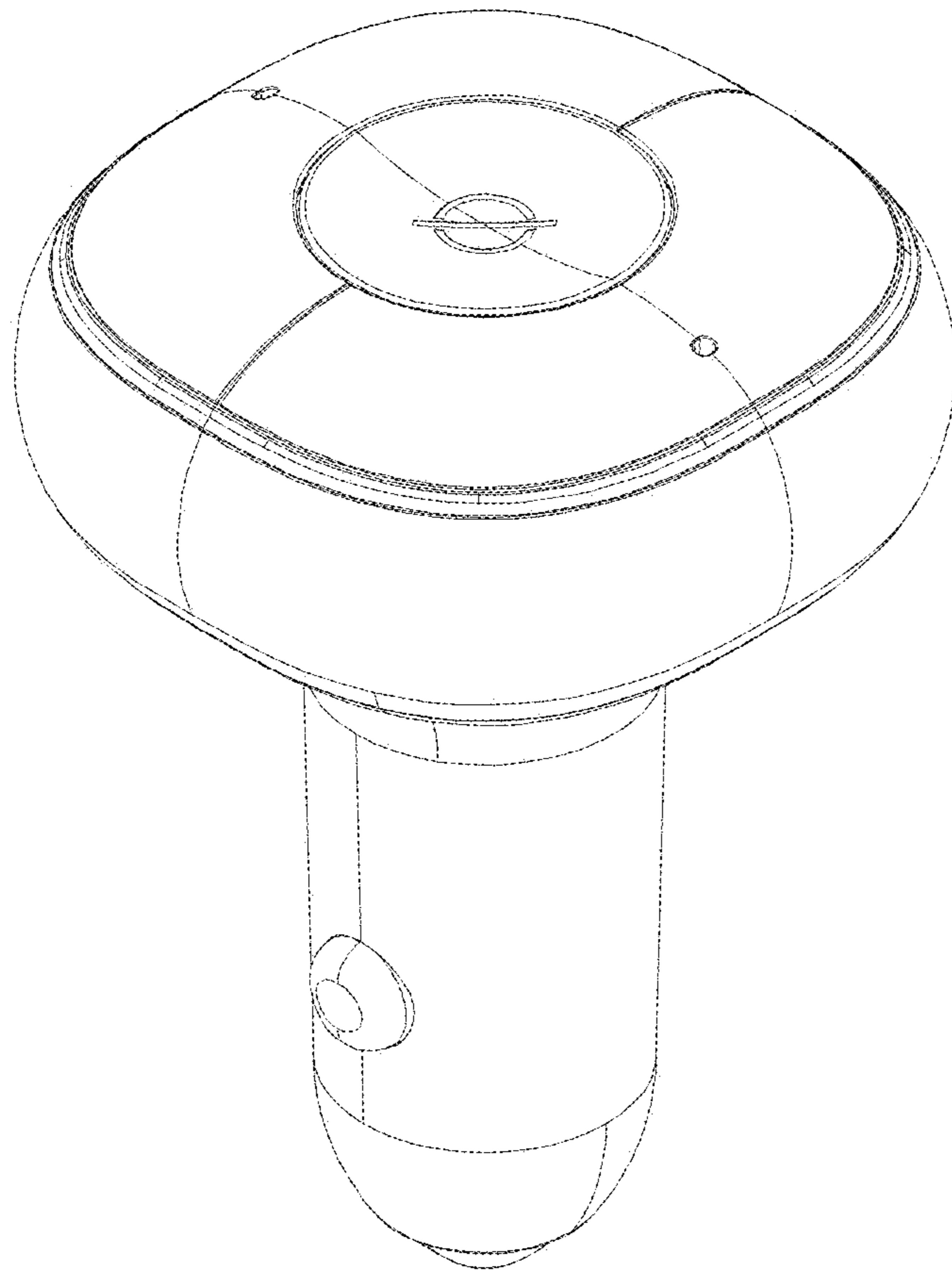


FIG. 7



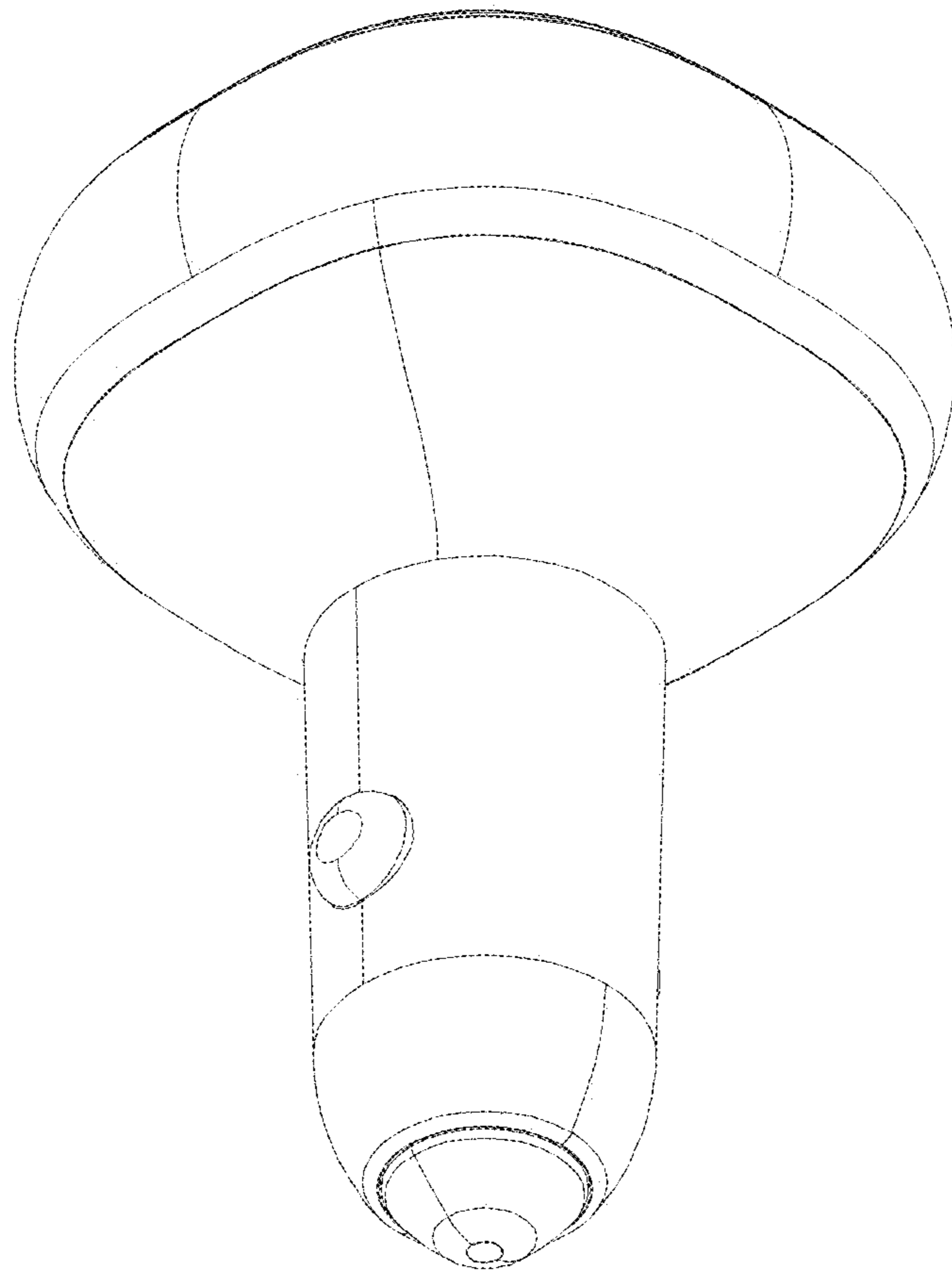


FIG. 8

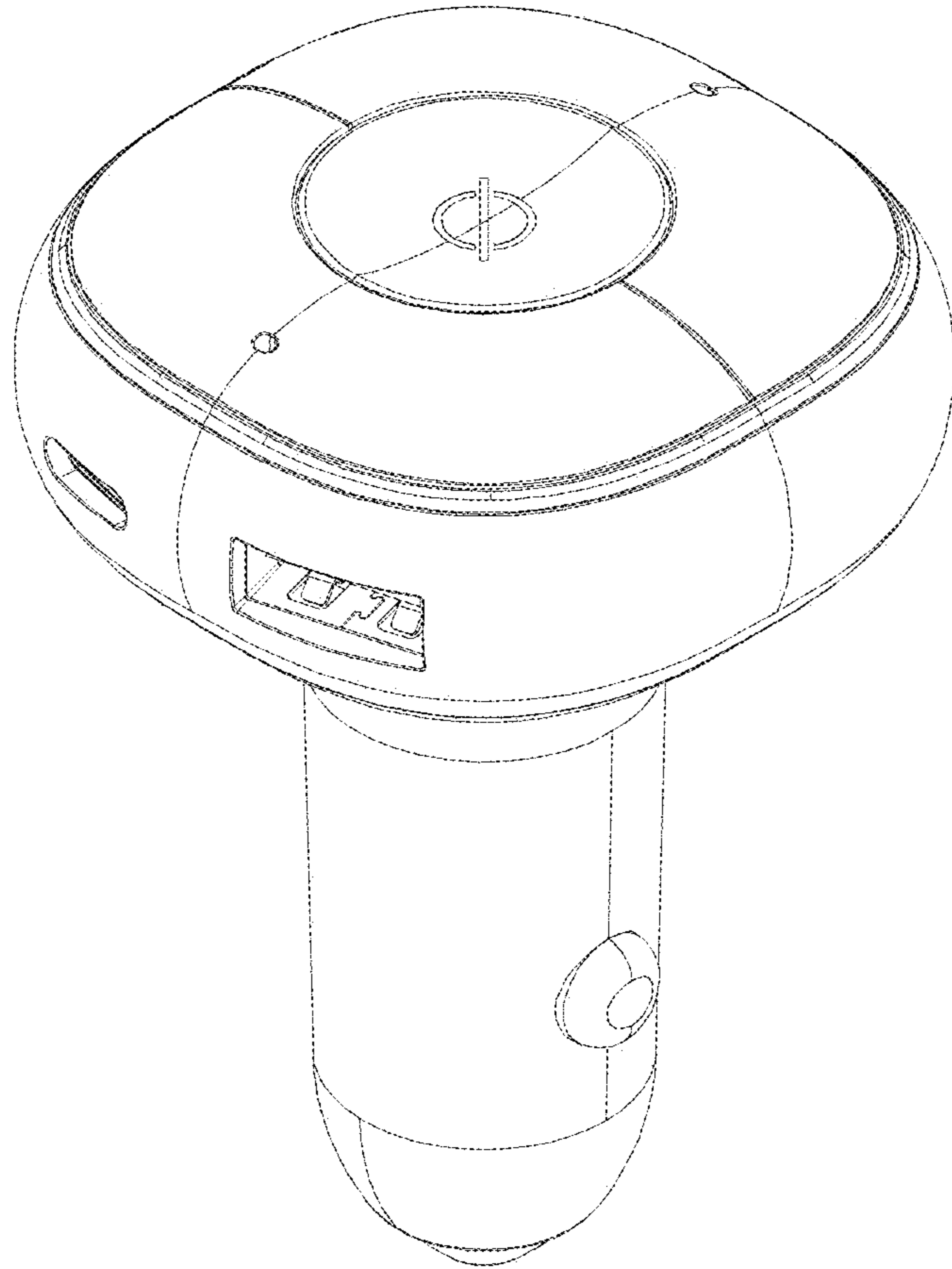


FIG. 9

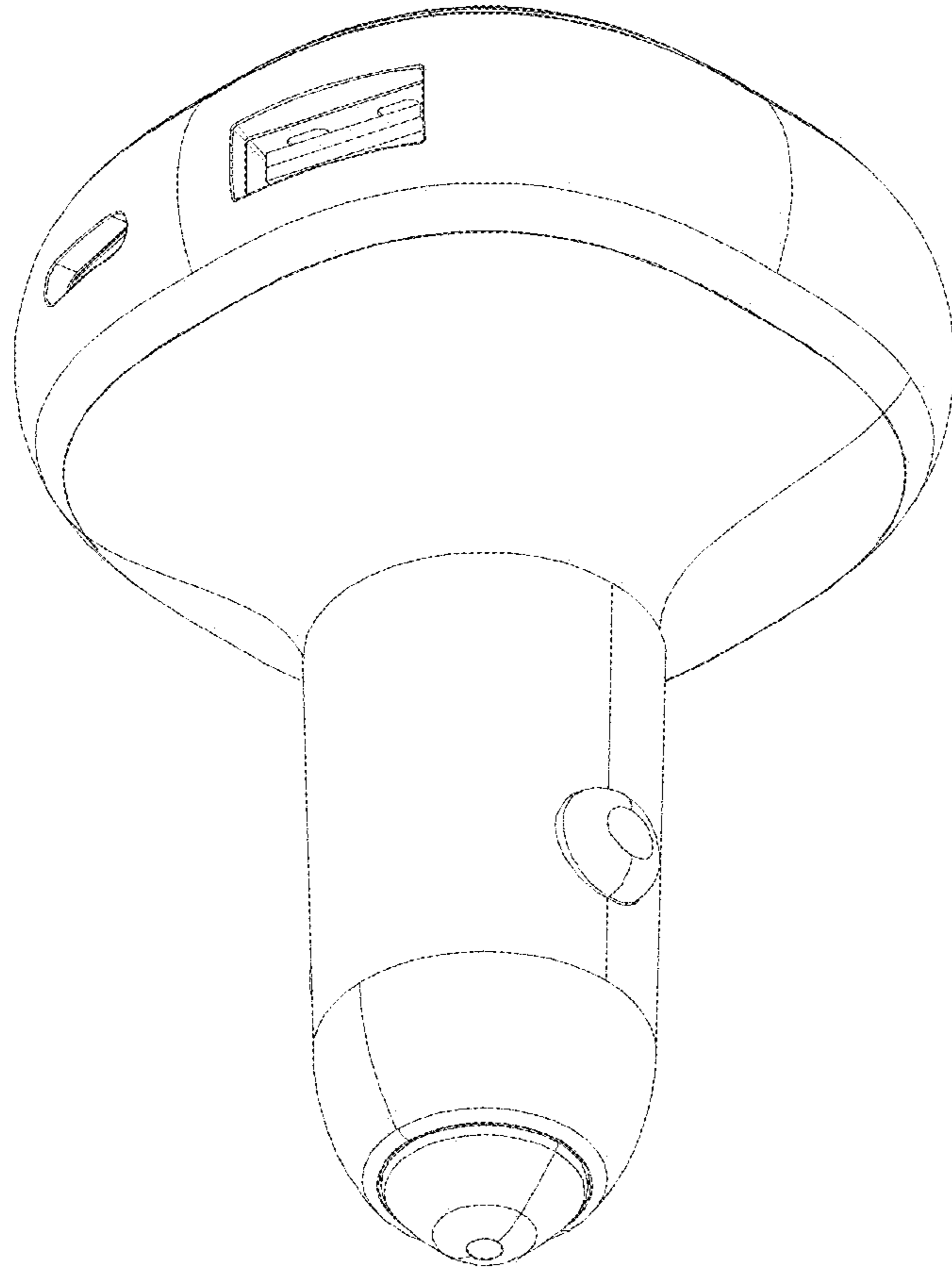


FIG. 10