



US00D969744S

(12) **United States Design Patent** (10) **Patent No.:** **US D969,744 S**
Crosson (45) **Date of Patent:** **** Nov. 15, 2022**

(54) **MOTOR HOUSING WITH ELECTRONICS HOUSING**

(71) Applicant: **Regal Beloit America, Inc.**, Beloit, WI (US)

(72) Inventor: **Jeffrey William Crosson**, Dayton, OH (US)

(73) Assignee: **REGAL BELOIT AMERICA, INC.**, Beloit, WI (US)

(**) Term: **15 Years**

(21) Appl. No.: **29/771,828**

(22) Filed: **Feb. 25, 2021**

(51) **LOC (13) Cl.** **13-01**

(52) **U.S. Cl.**
USPC **D13/112**

(58) **Field of Classification Search**

USPC D13/112, 113, 114, 116, 117, 118, 122, D13/184, 199; D15/3, 5, 149, 199
 CPC .. H02K 5/02; H02K 5/04; H02K 5/10; H02K 5/15; H02K 5/22; H02K 5/24; H02K 5/148; H02K 5/225; H02K 29/14; H02K 1/30; H02K 1/32; H02K 1/2786; H02K 3/24; H02K 3/47; H02K 11/21; H02K 11/22; H02K 11/33; H02K 9/00; H02K 9/06; H02P 6/06; Y10T 74/2186; Y10T 74/19684; Y10T 74/1987; Y10T 74/19884

See application file for complete search history.

(56) **References Cited**

U.S. PATENT DOCUMENTS

D264,460 S * 5/1982 Moller D13/184
 D336,890 S * 6/1993 Hirose D13/112
 5,245,237 A 9/1993 Fisher et al.

(Continued)

Primary Examiner — Derrick E Holland

(74) *Attorney, Agent, or Firm* — Armstrong Teasdale LLP

(57) **CLAIM**

I claim the ornamental design for a motor housing with electronics housing, as shown and described.

DESCRIPTION

FIG. 1 is a top perspective view of a motor housing with an electronics housing showing the new design.

FIG. 2 is a top view thereof.

FIG. 3 is a bottom view thereof.

FIG. 4 is a left side view thereof.

FIG. 5 is a right side view thereof.

FIG. 6 is a front view thereof.

FIG. 7 is a rear view thereof.

FIG. 8 is a bottom perspective view thereof.

FIG. 9 is a top perspective view of an electronics housing of FIG. 1 showing the new design.

FIG. 10 is a top view thereof.

FIG. 11 is a bottom view thereof.

FIG. 12 is a front view thereof.

FIG. 13 is a rear view thereof.

FIG. 14 is a right side view thereof.

FIG. 15 is a top perspective view of a shroud portion of the motor housing of FIG. 1 showing the new design.

FIG. 16 is a top view thereof.

FIG. 17 is a bottom view thereof.

FIG. 18 is a front view thereof.

FIG. 19 is a rear view thereof.

FIG. 20 is a right side view thereof.

FIG. 21 is a top perspective view of a mounting portion of the motor housing of FIG. 1 showing the new design.

FIG. 22 is a top view thereof.

FIG. 23 is a bottom view thereof.

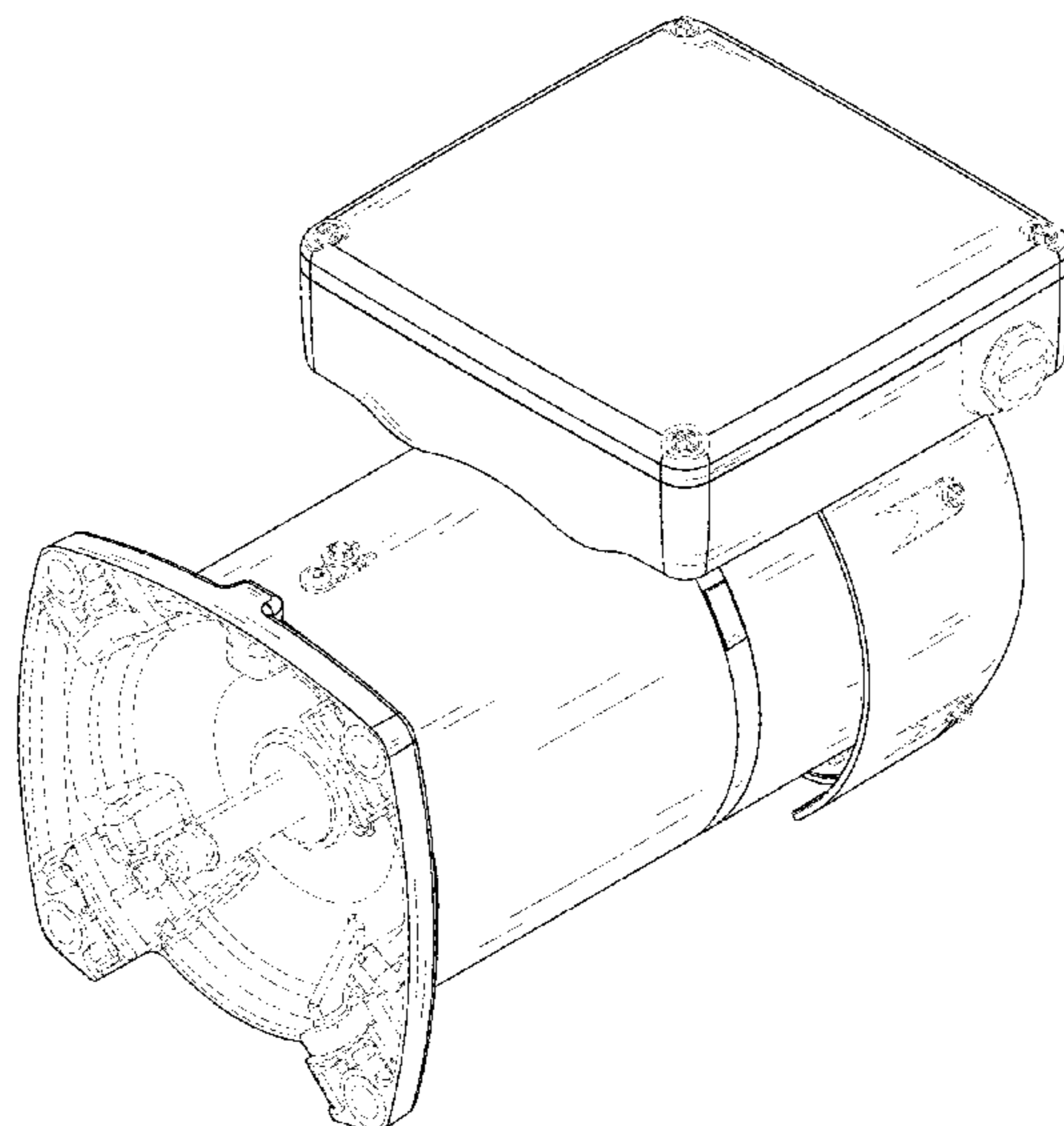
FIG. 24 is a front view thereof.

FIG. 25 is a rear view thereof; and,

FIG. 26 is a right side view thereof.

The broken lines shown illustrate the portions of the motor housing with electronics housing that form no part of the claimed design.

1 Claim, 26 Drawing Sheets



(56)

References Cited

U.S. PATENT DOCUMENTS

5,872,410	A	2/1999	Sudoff	
6,664,682	B2	12/2003	Williams et al.	
6,933,638	B2	8/2005	Hirth	
D530,278	S *	10/2006	Lyle	D13/122
D587,650	S *	3/2009	Lannoch	D13/122
D700,575	S *	3/2014	Andersson	D13/114
D769,191	S *	10/2016	Vohlgemuth	D13/114
D780,119	S *	2/2017	Schieck	D13/112
D797,671	S	9/2017	Andersson et al.	
D879,037	S *	3/2020	Simon	D13/112
2007/0284954	A1	12/2007	Lin et al.	
2016/0013628	A1 *	1/2016	Tanaka	H02G 3/18 174/541

* cited by examiner

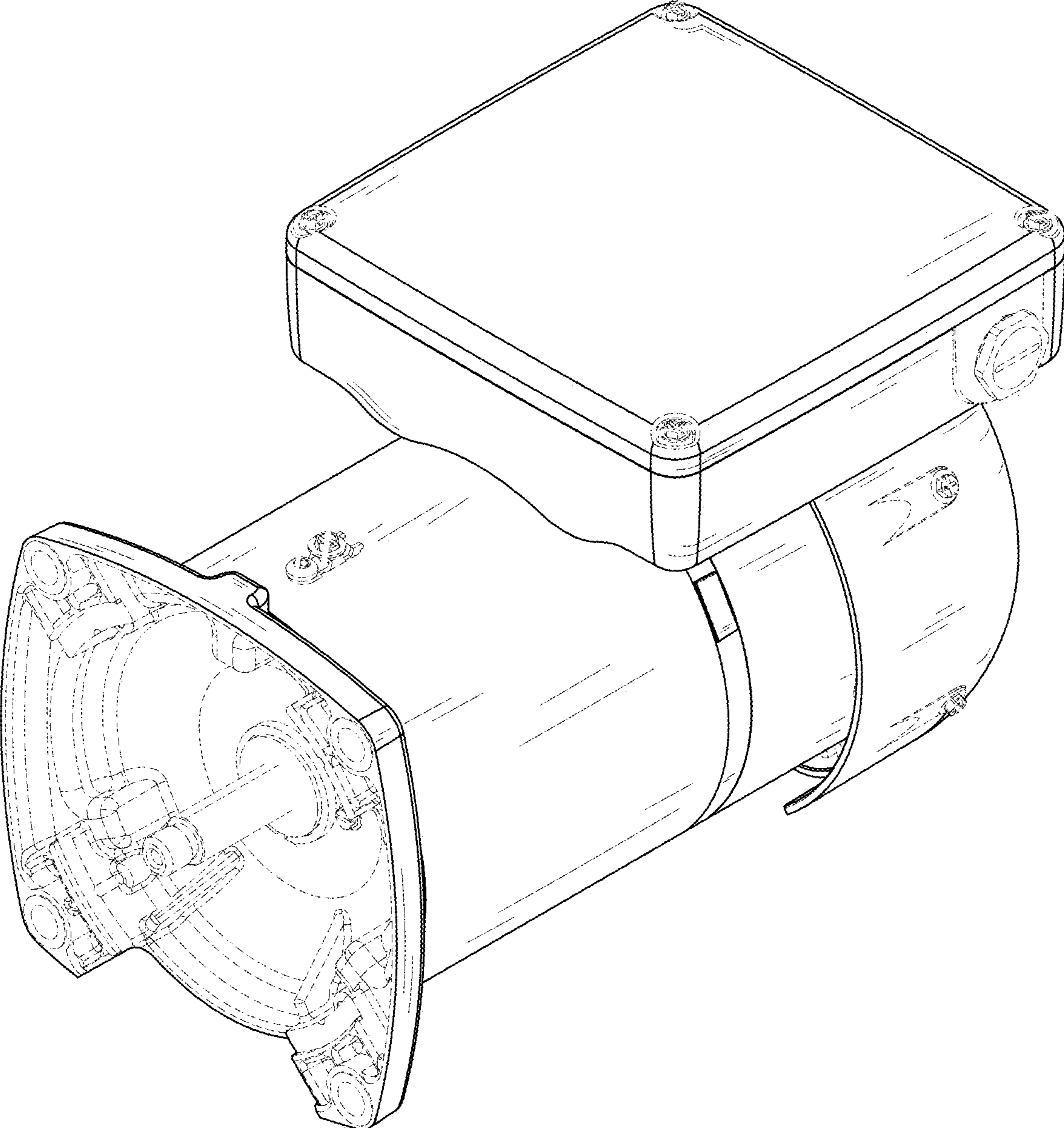


FIG. 1

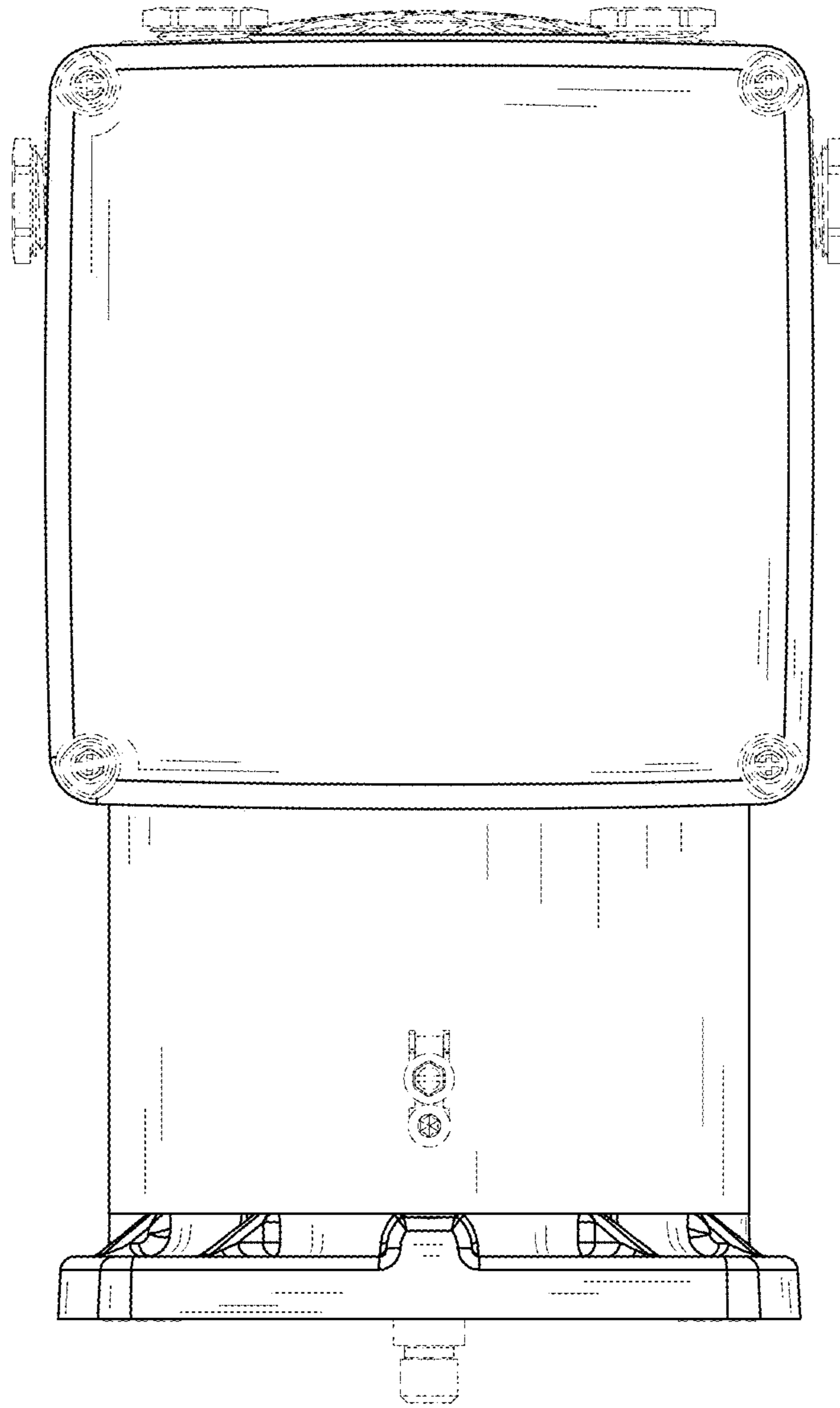


FIG. 2

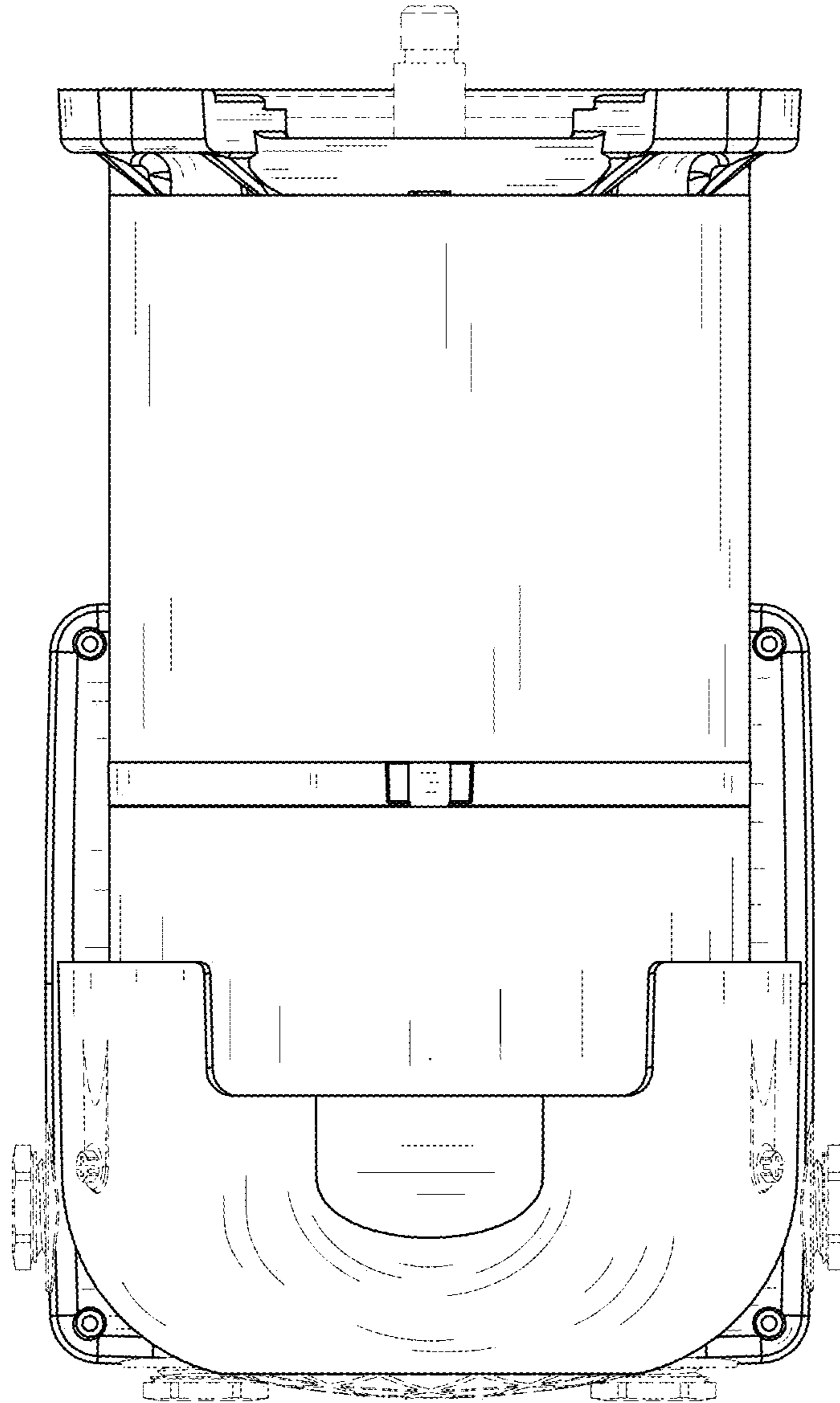


FIG. 3

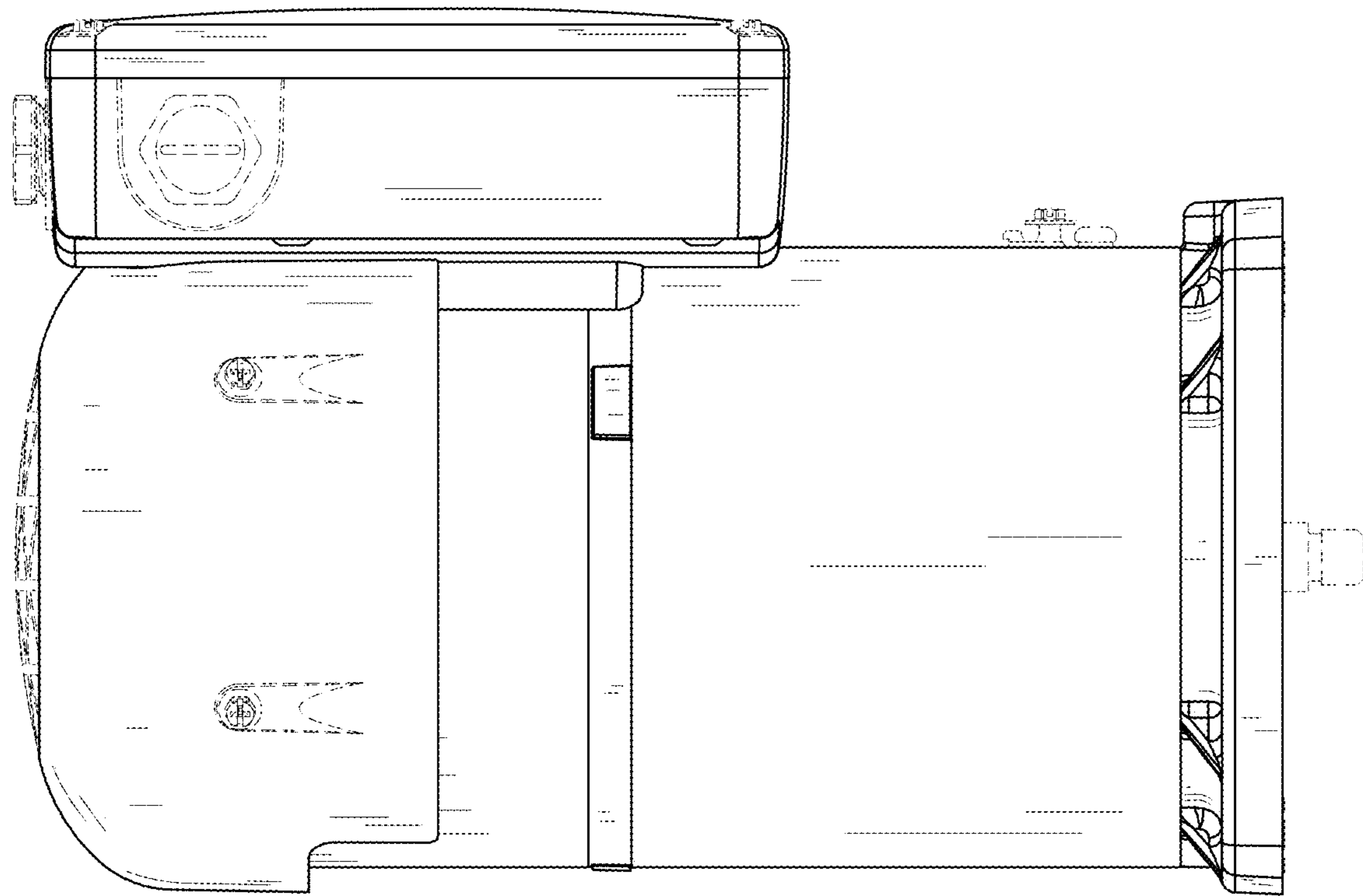


FIG. 4

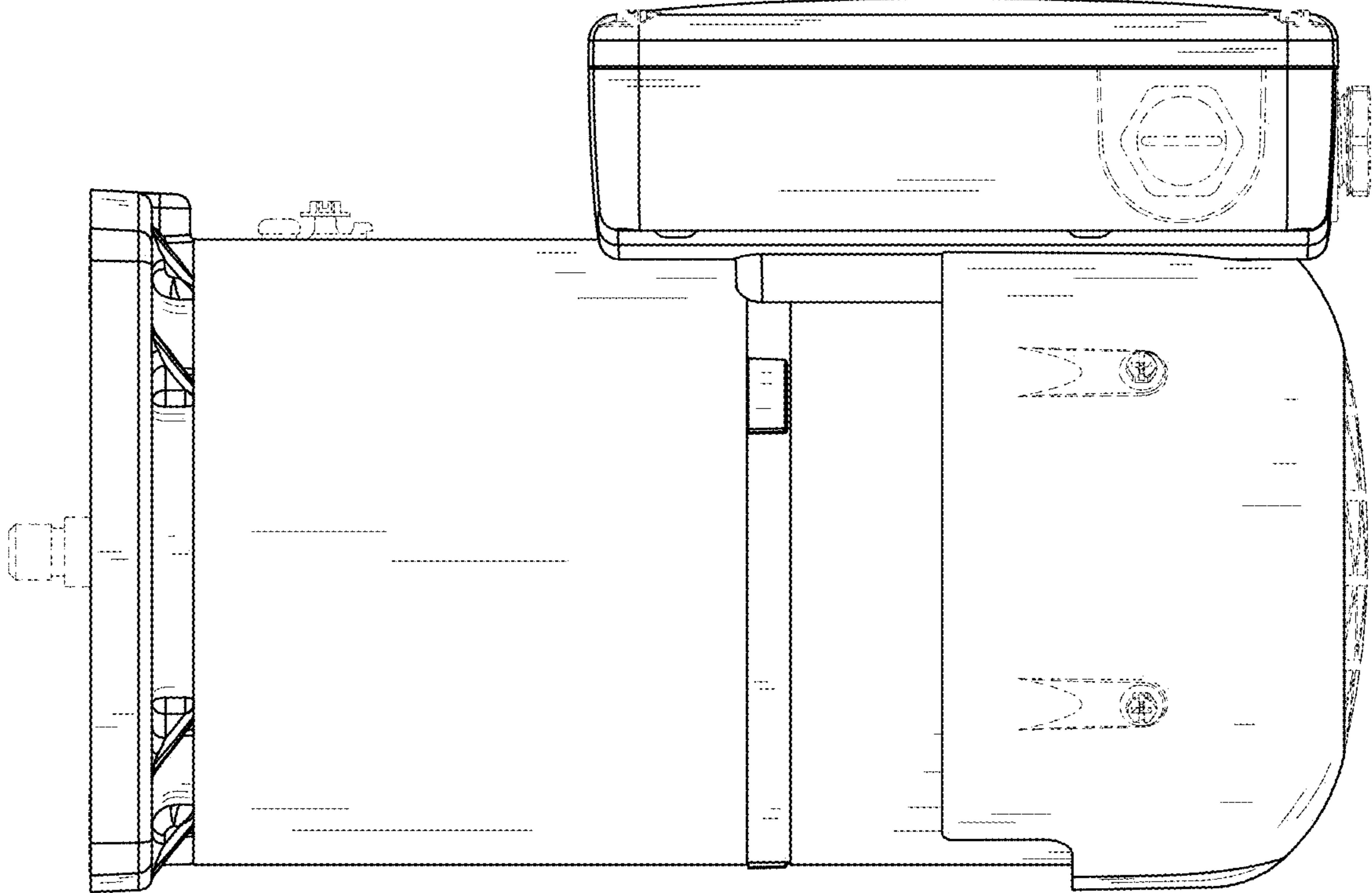


FIG. 5

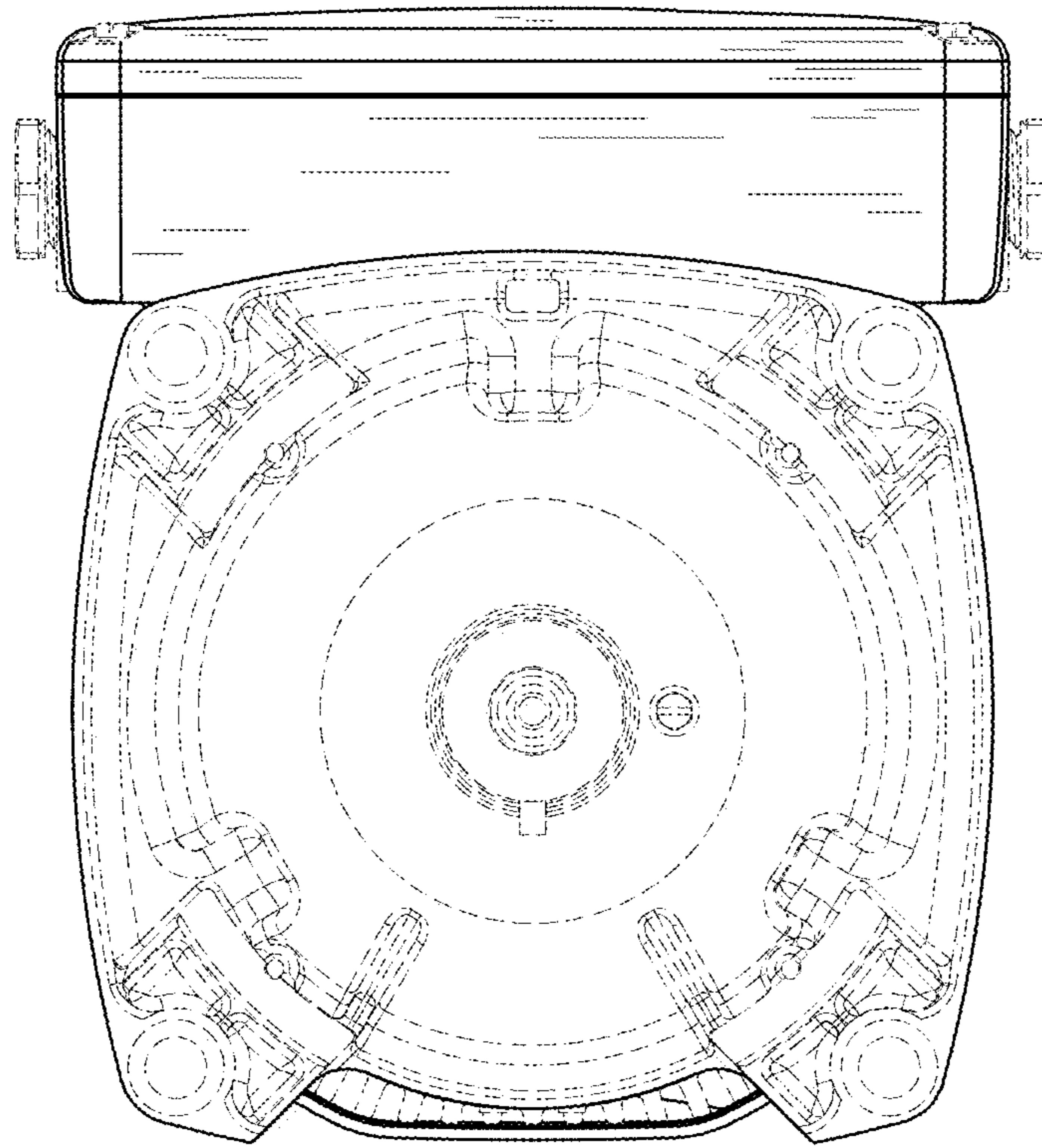


FIG. 6

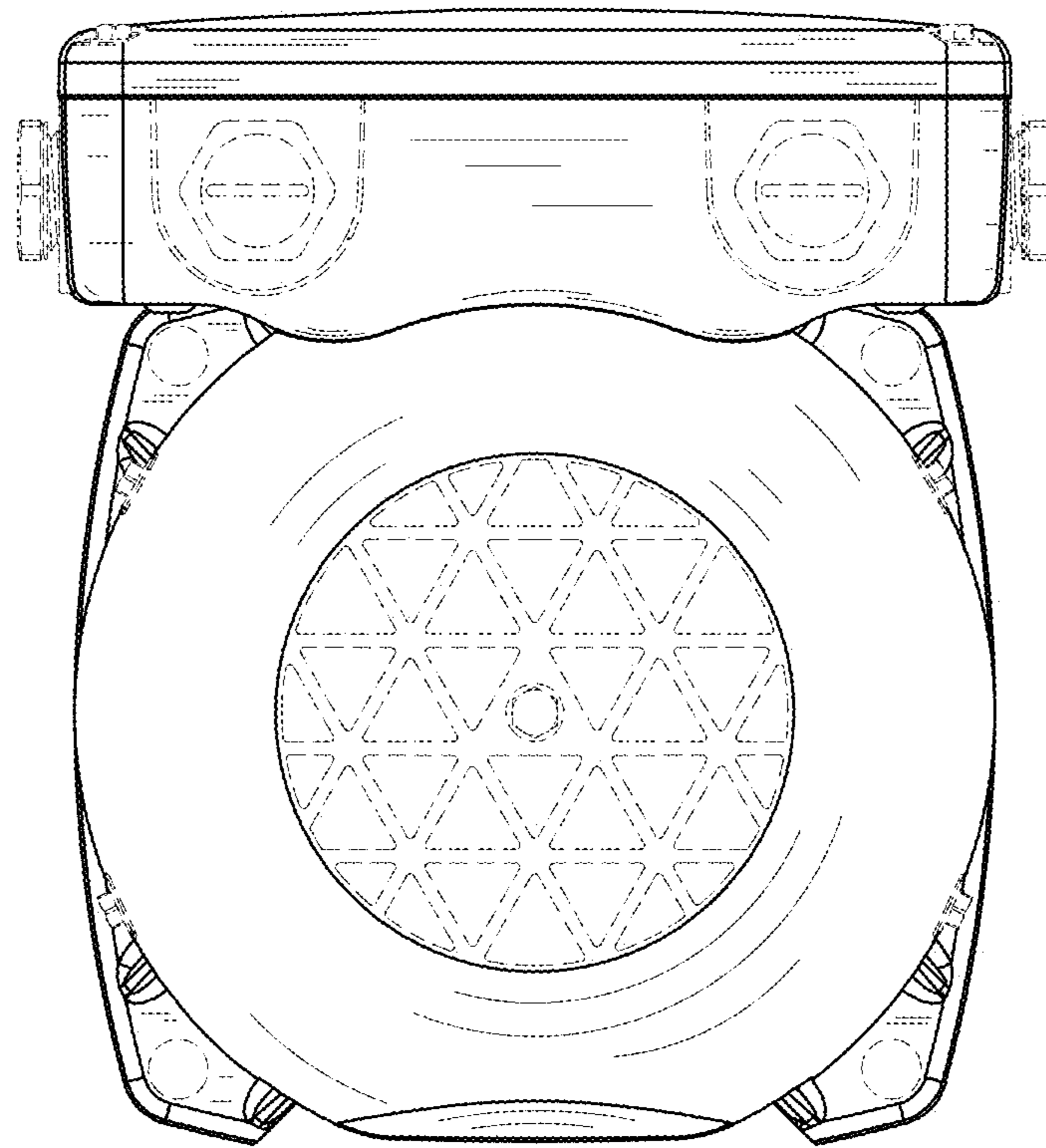


FIG. 7

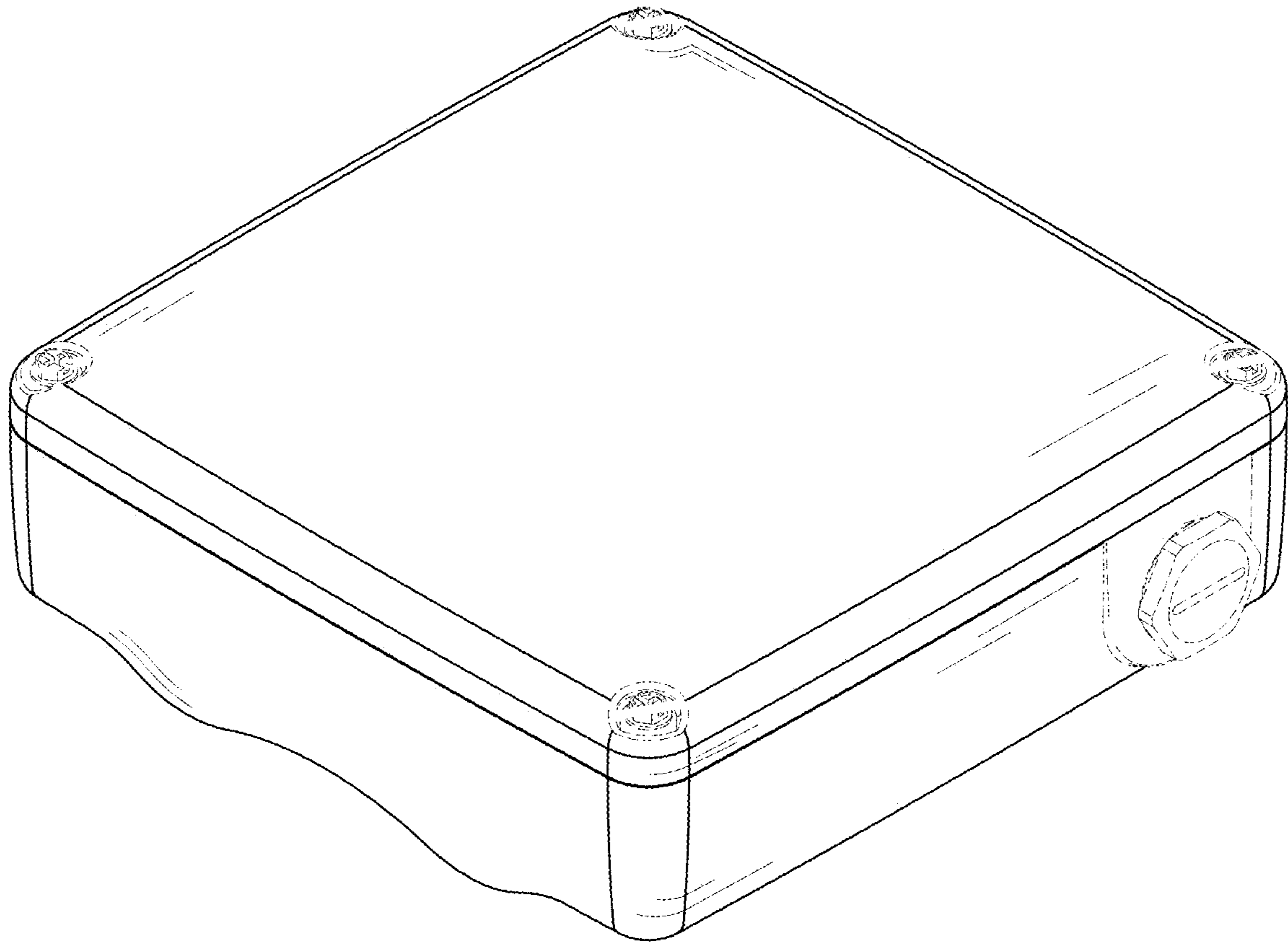


FIG. 8

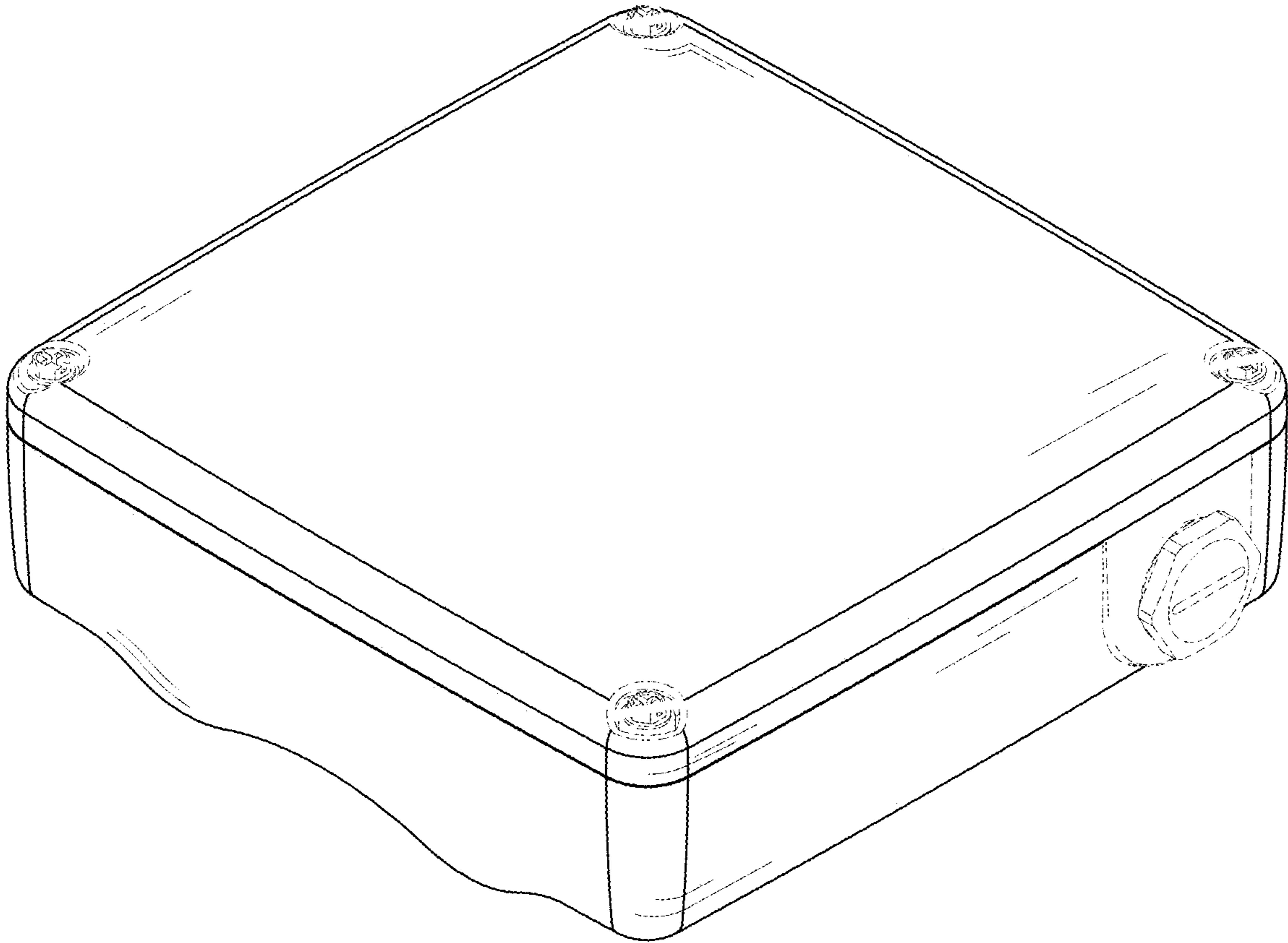


FIG. 9

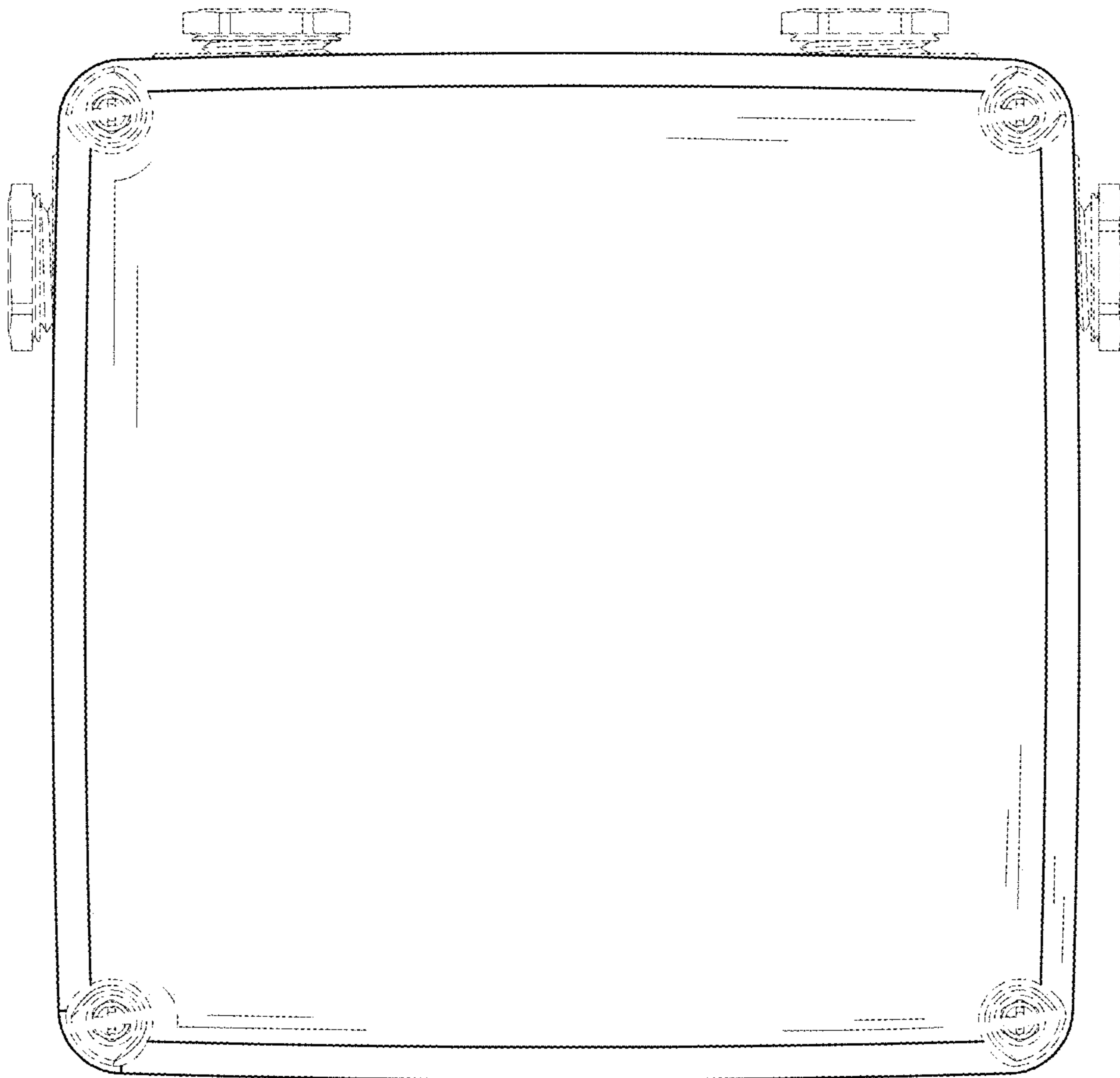


FIG. 10

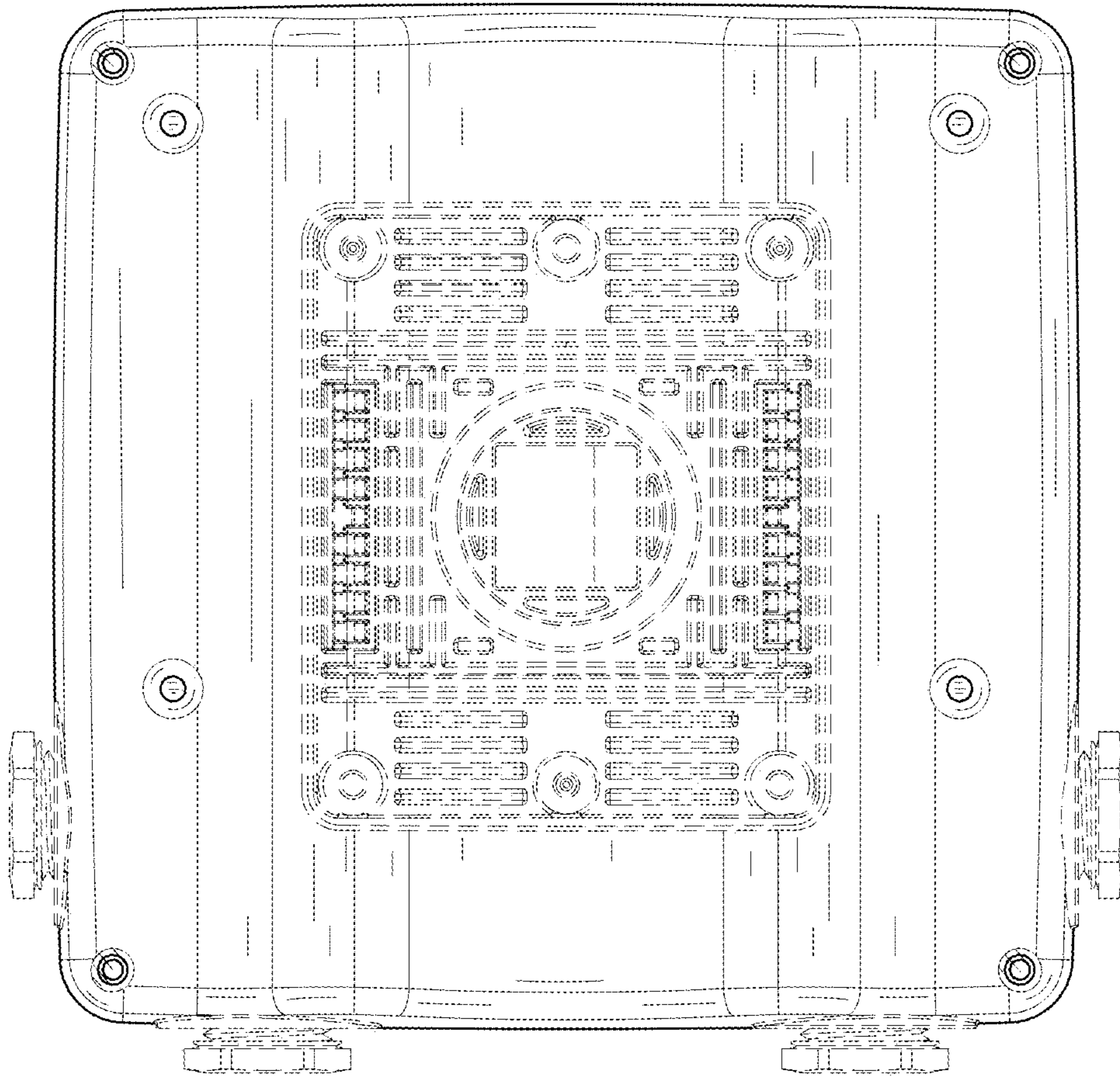


FIG. 11

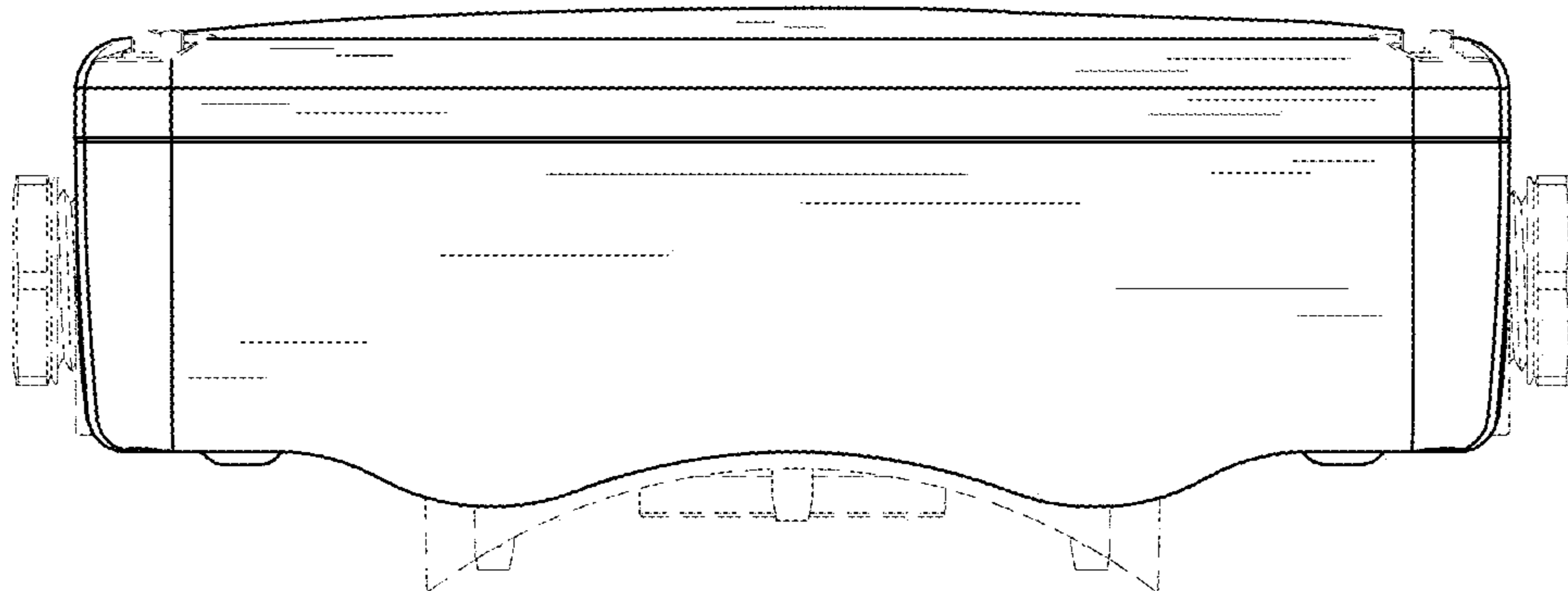


FIG. 12

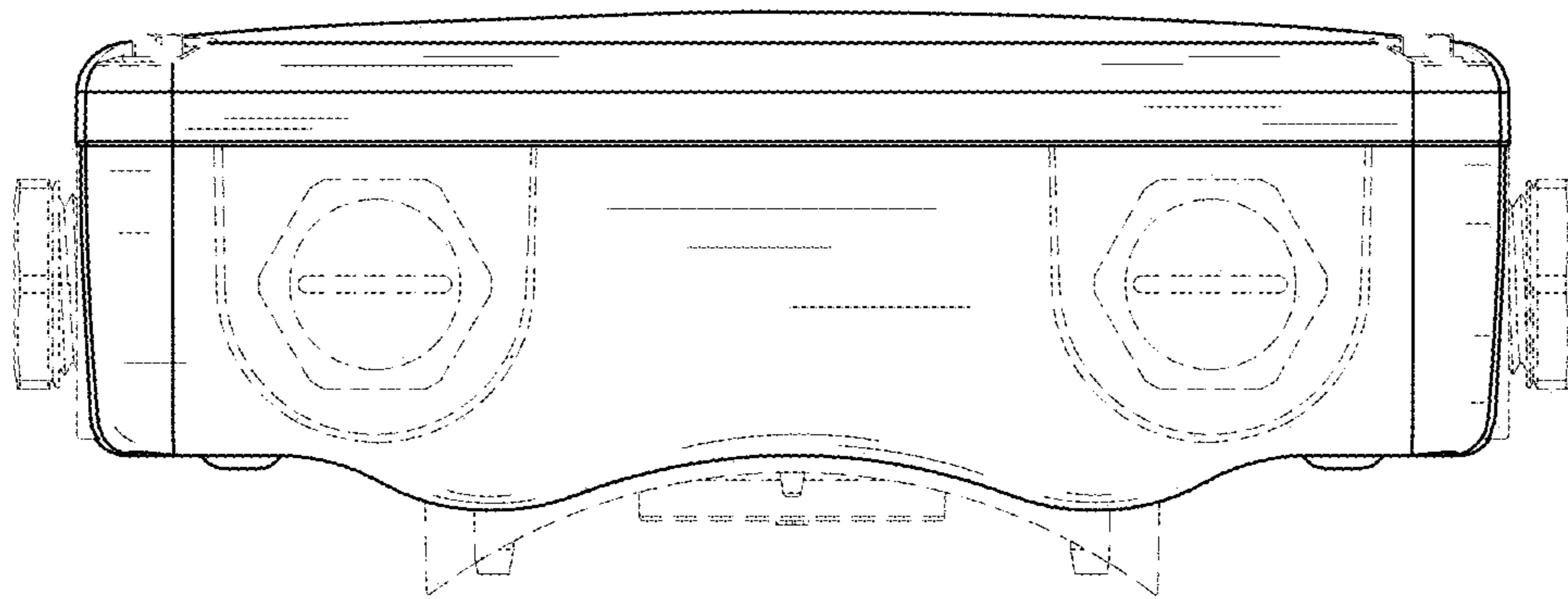


FIG. 13

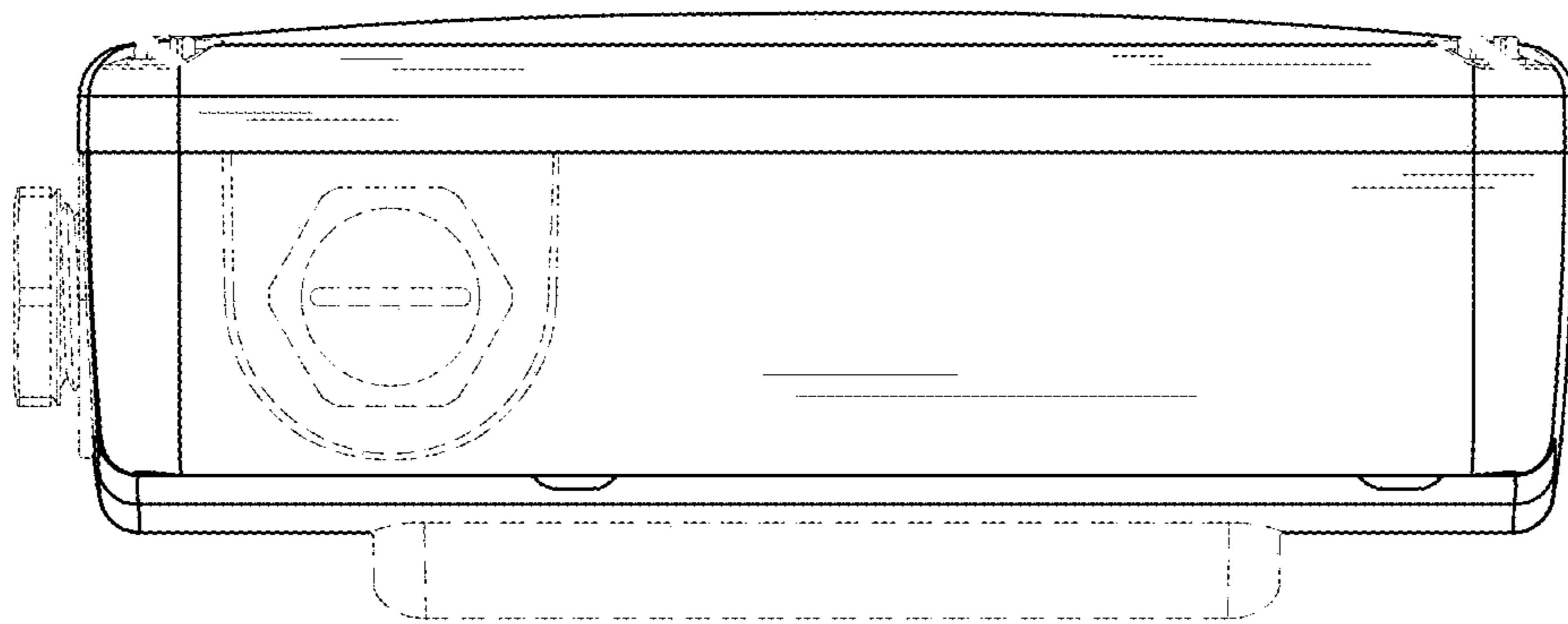


FIG. 14

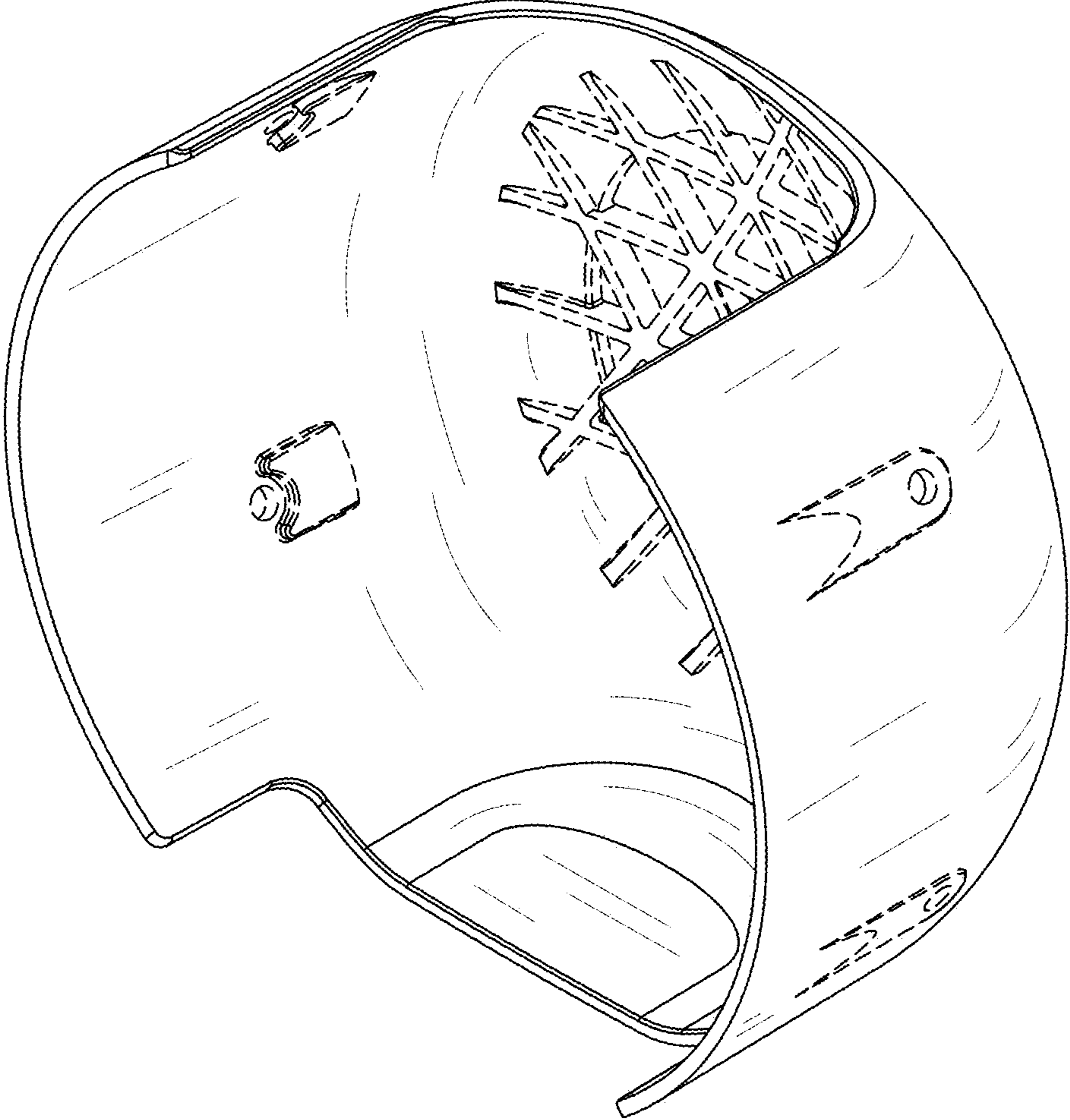


FIG. 15

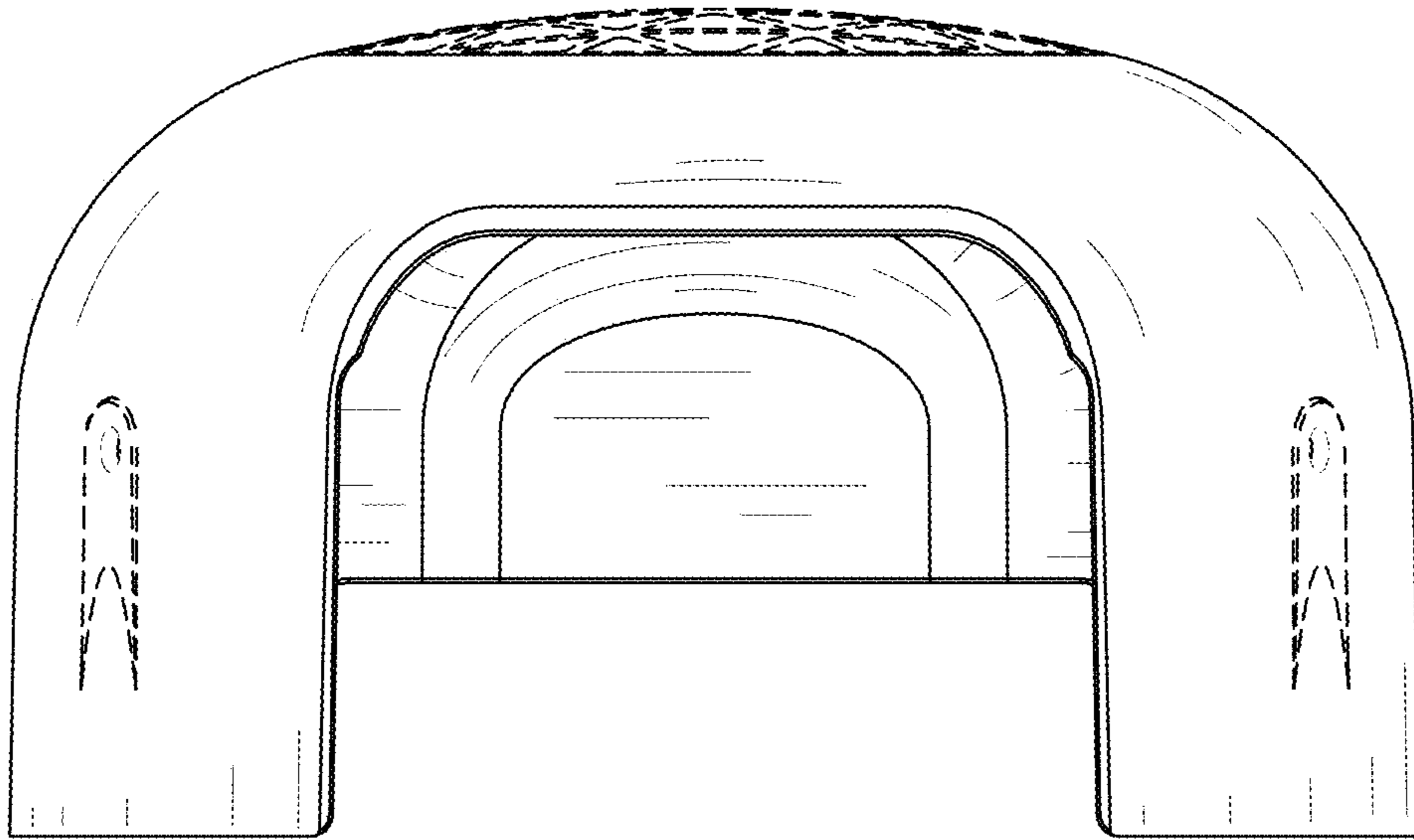


FIG. 16

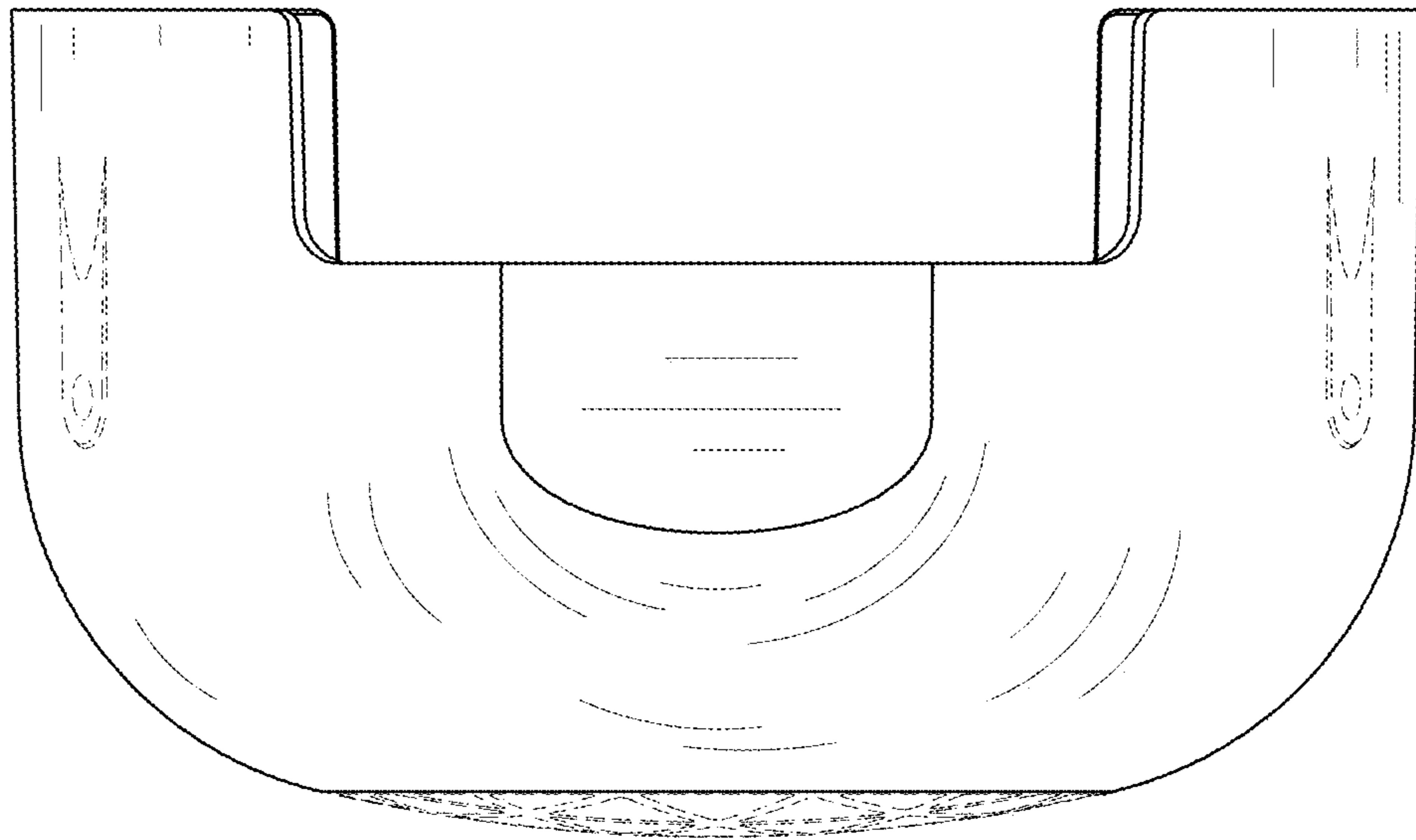


FIG. 17

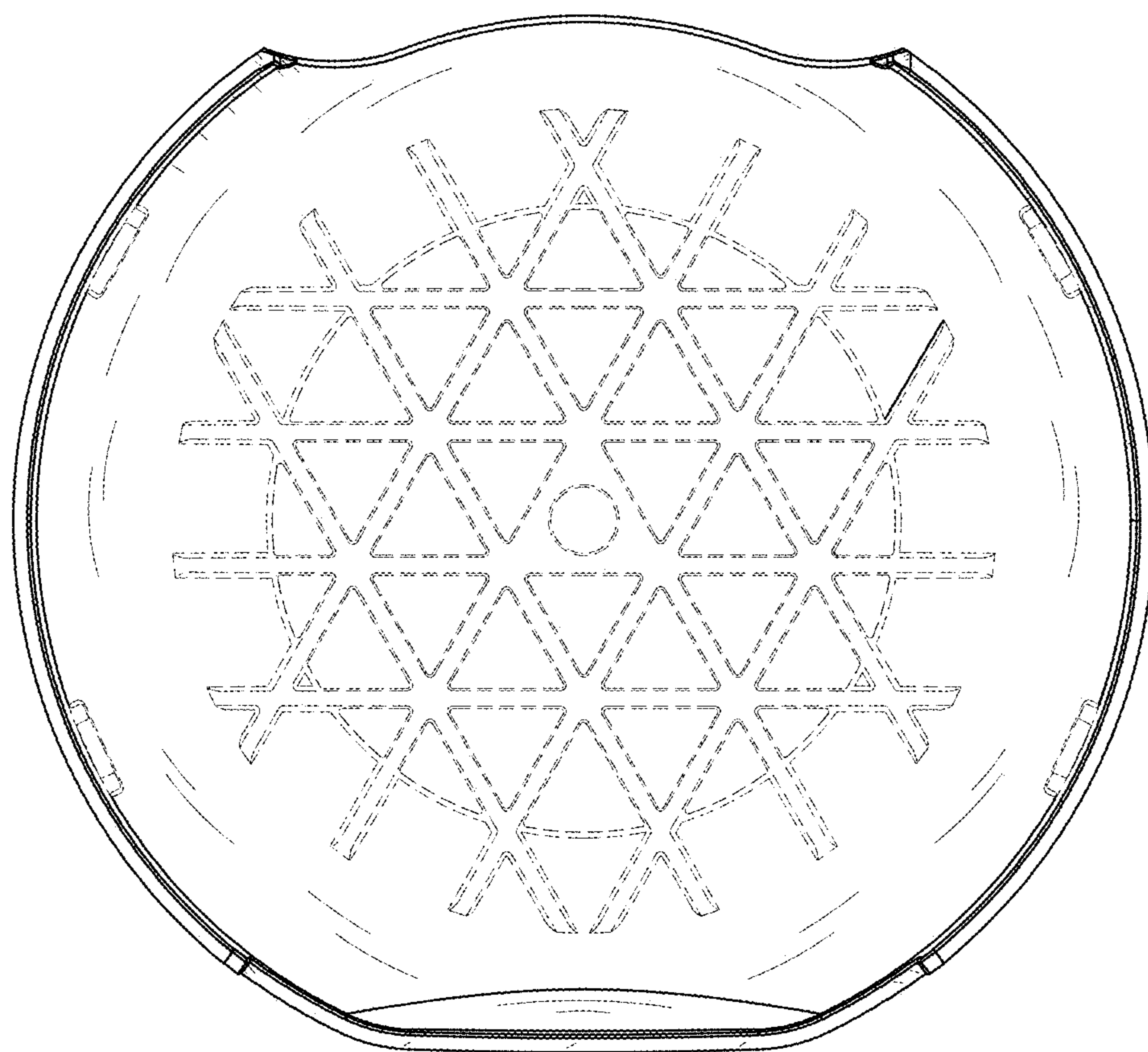


FIG. 18

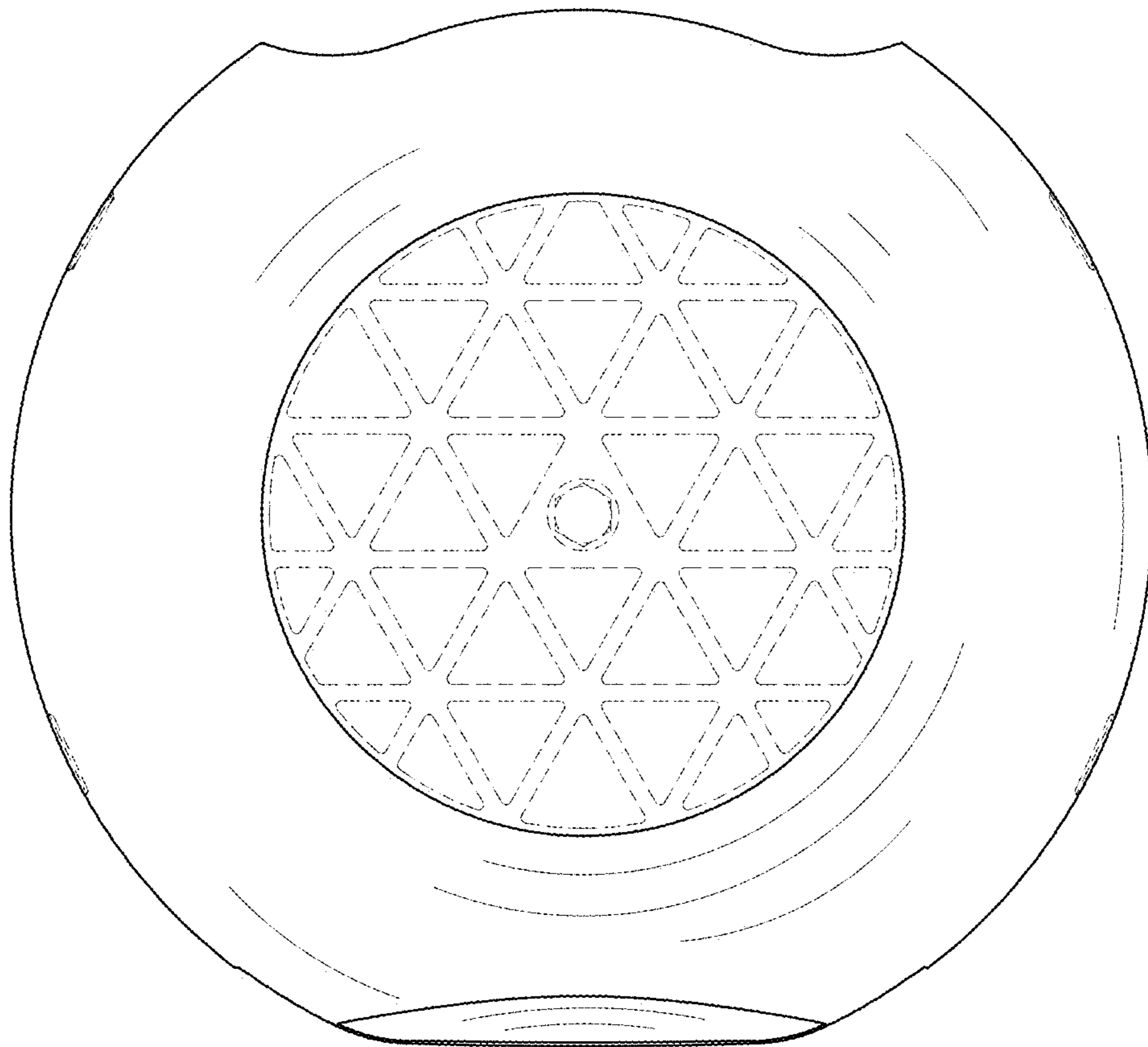


FIG. 19

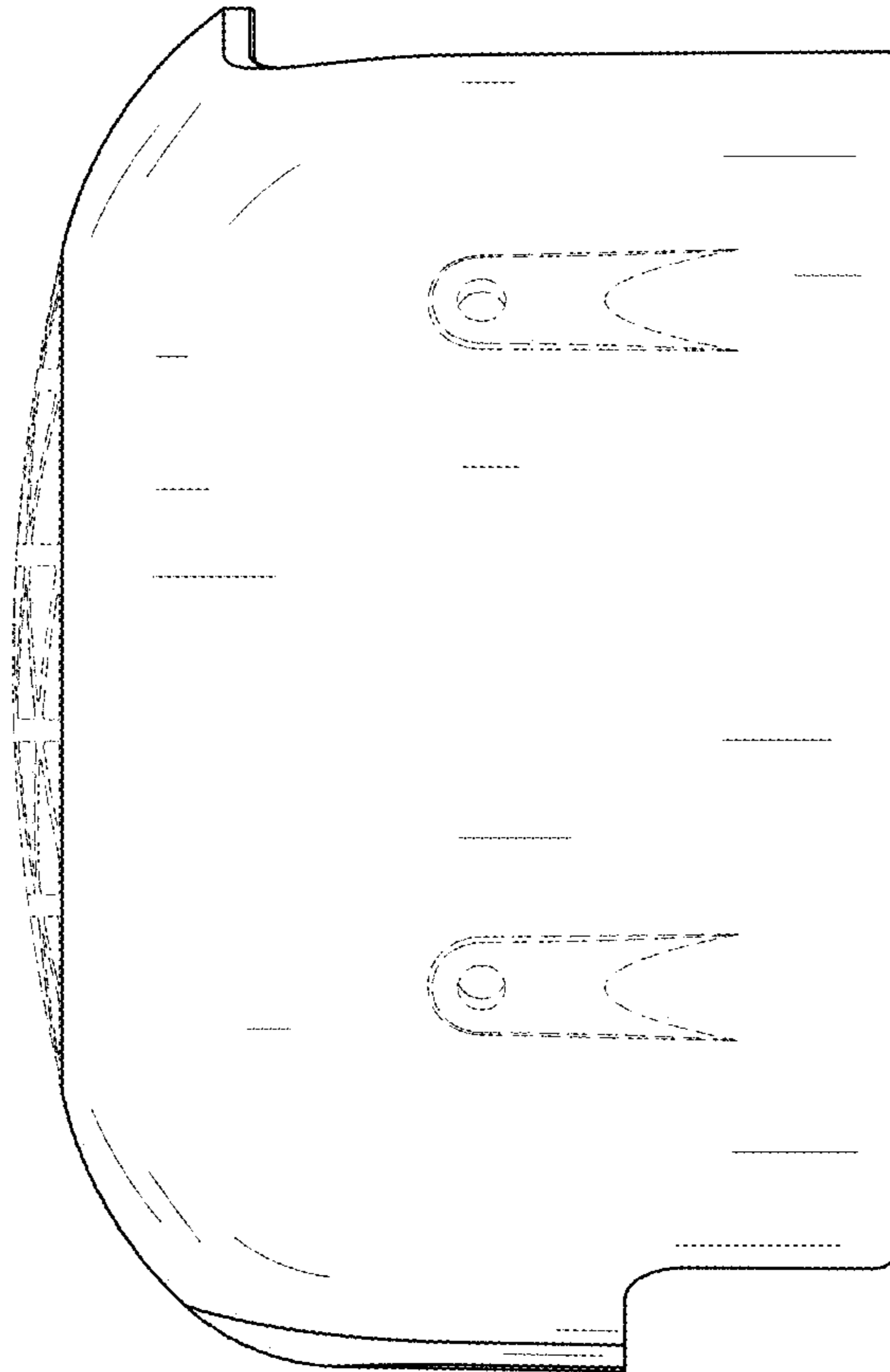


FIG. 20

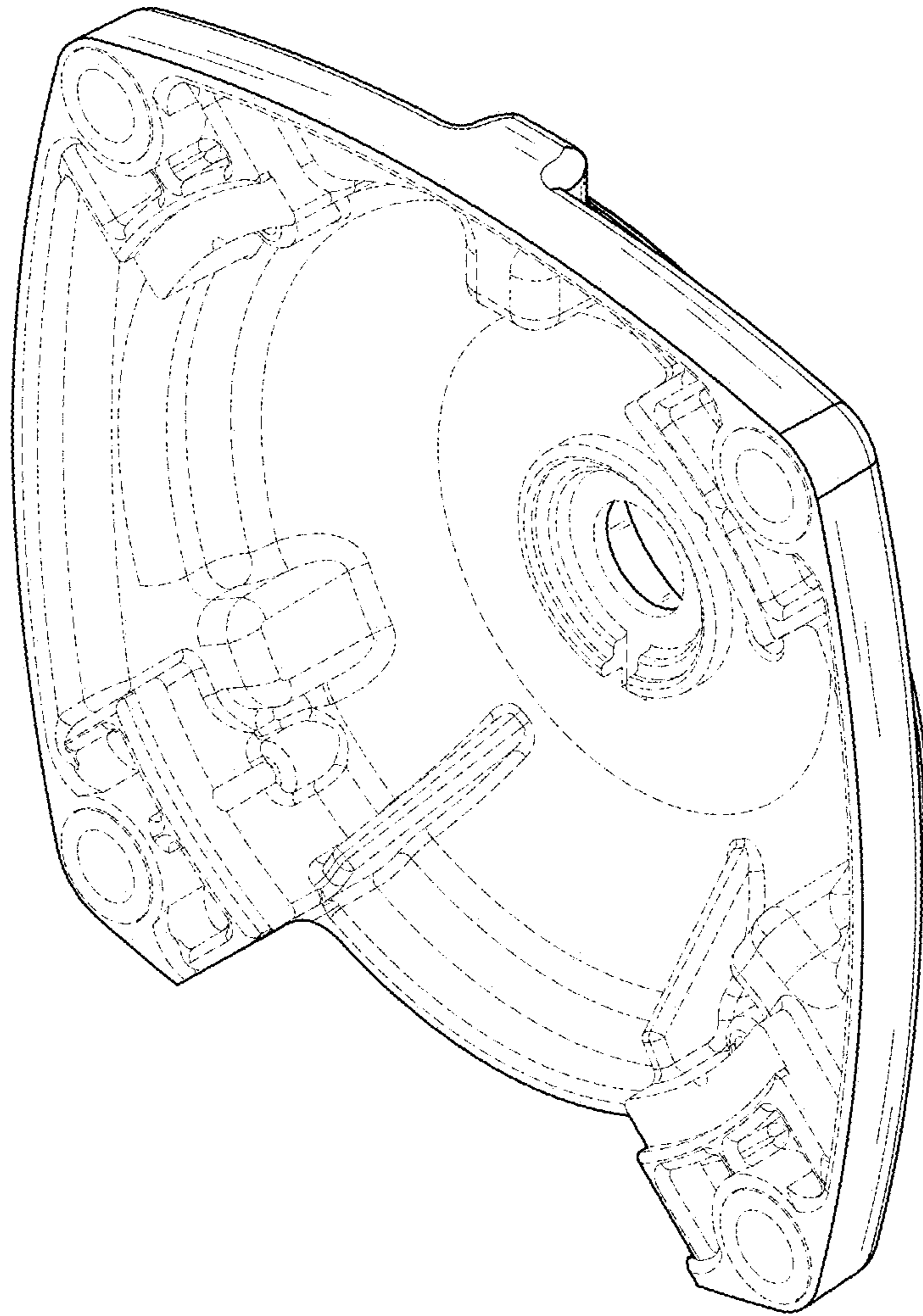


FIG. 21

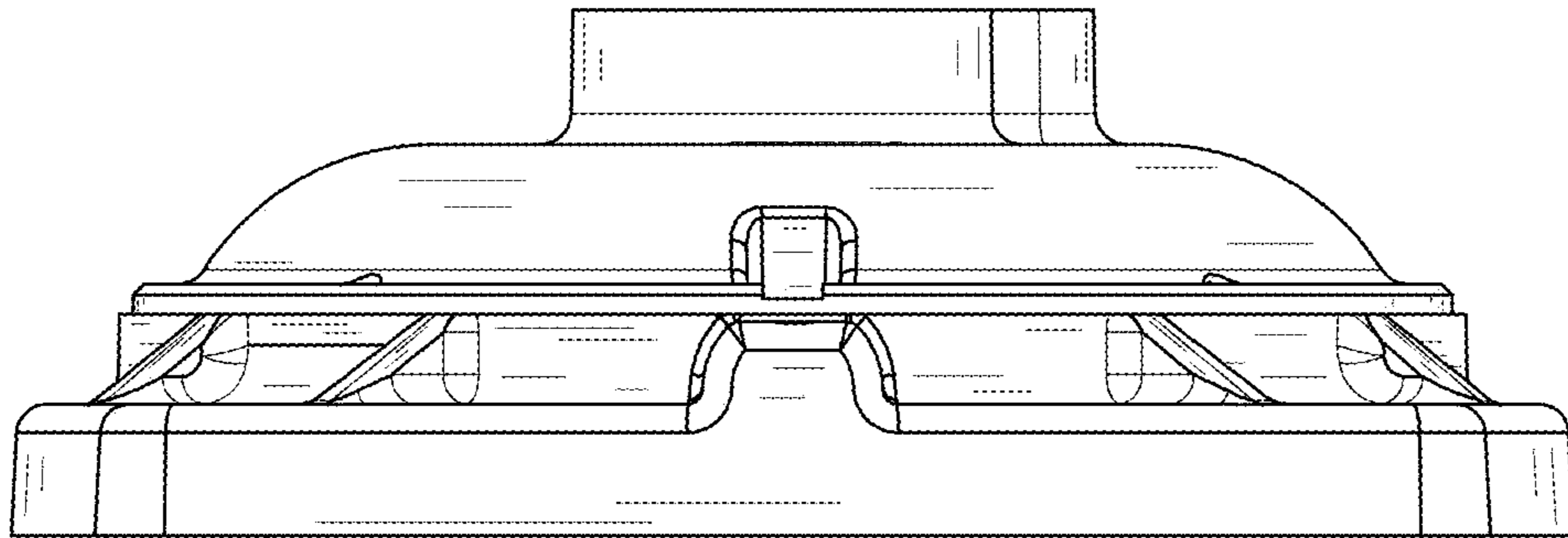


FIG. 22

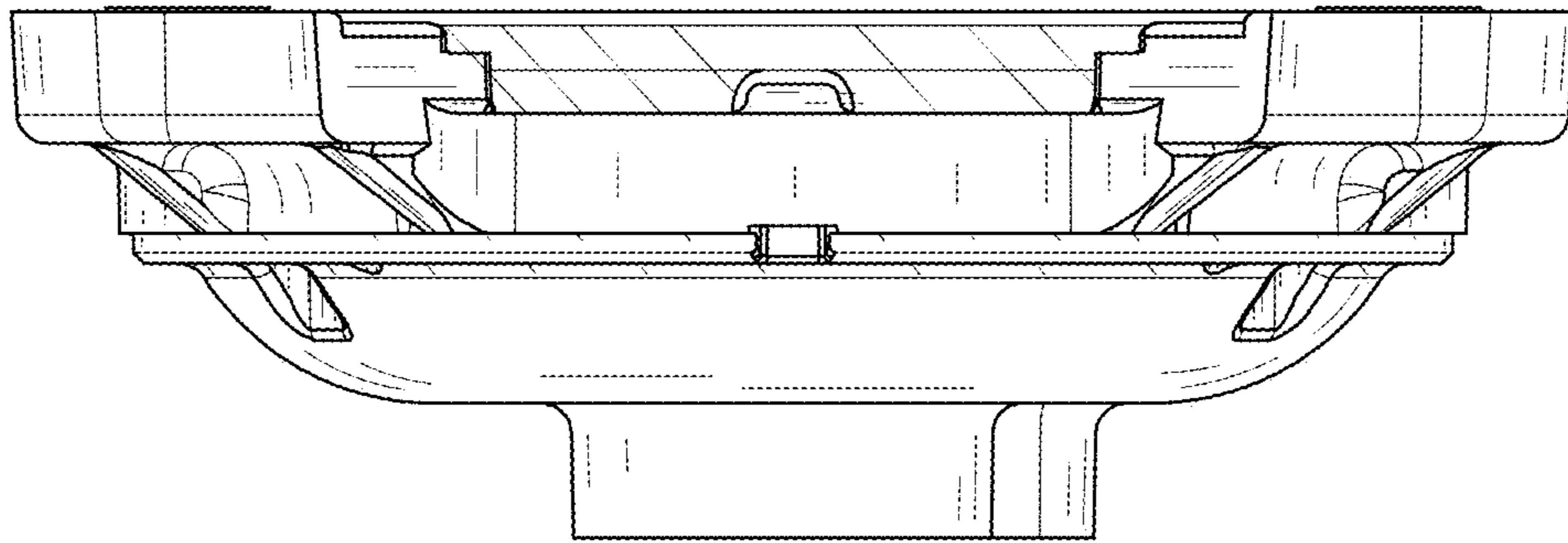


FIG. 23

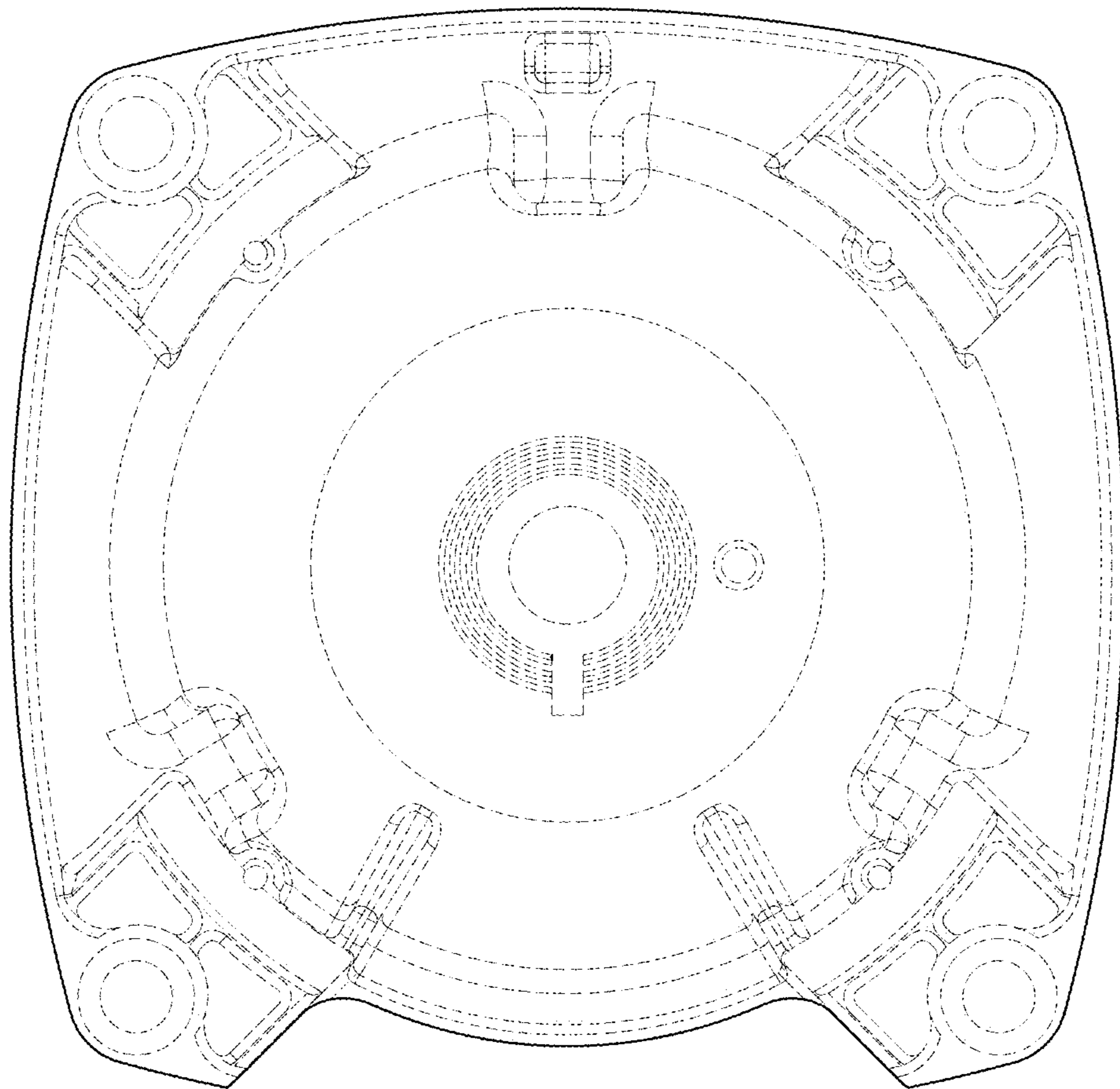


FIG. 24

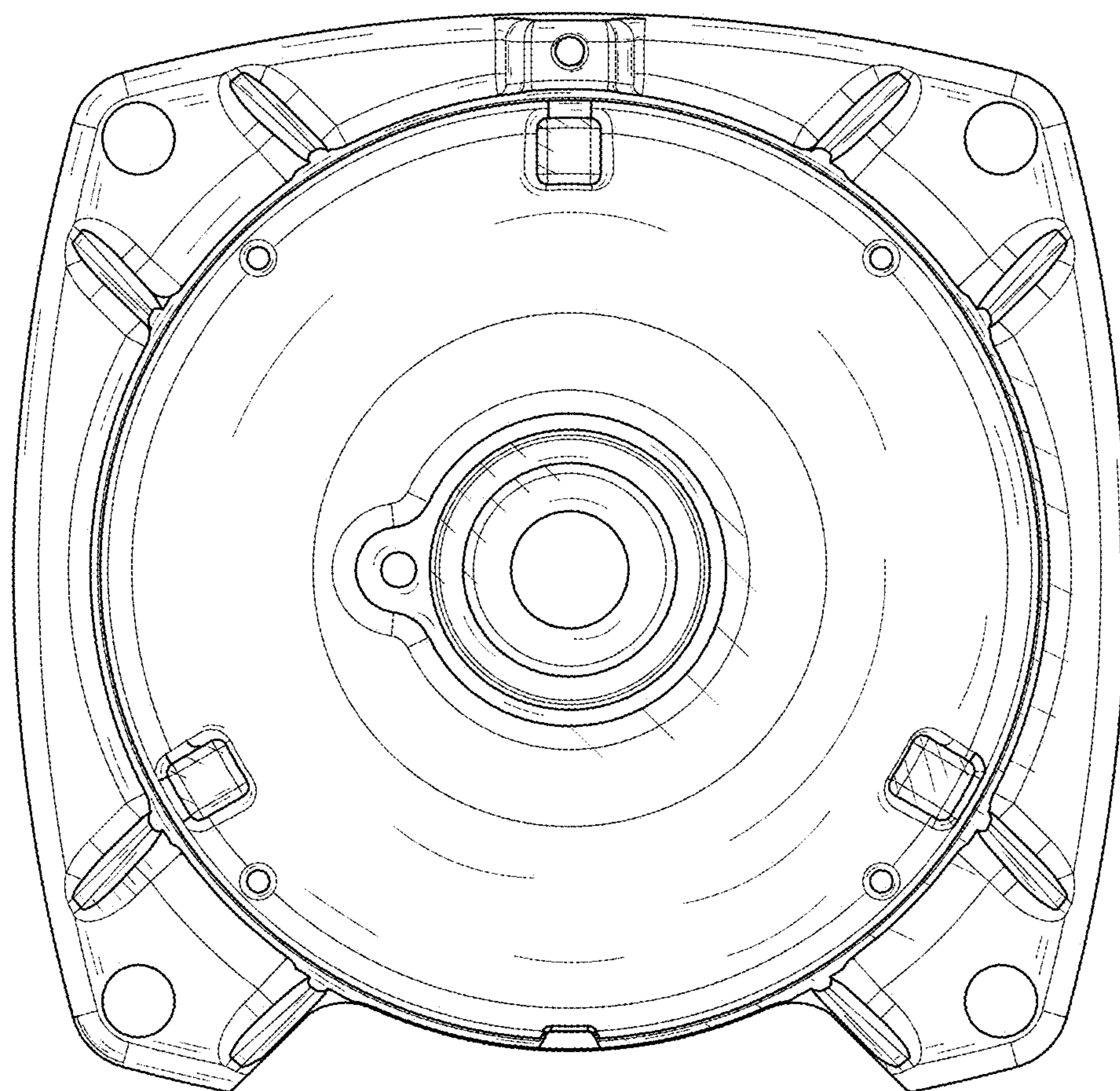


FIG. 25

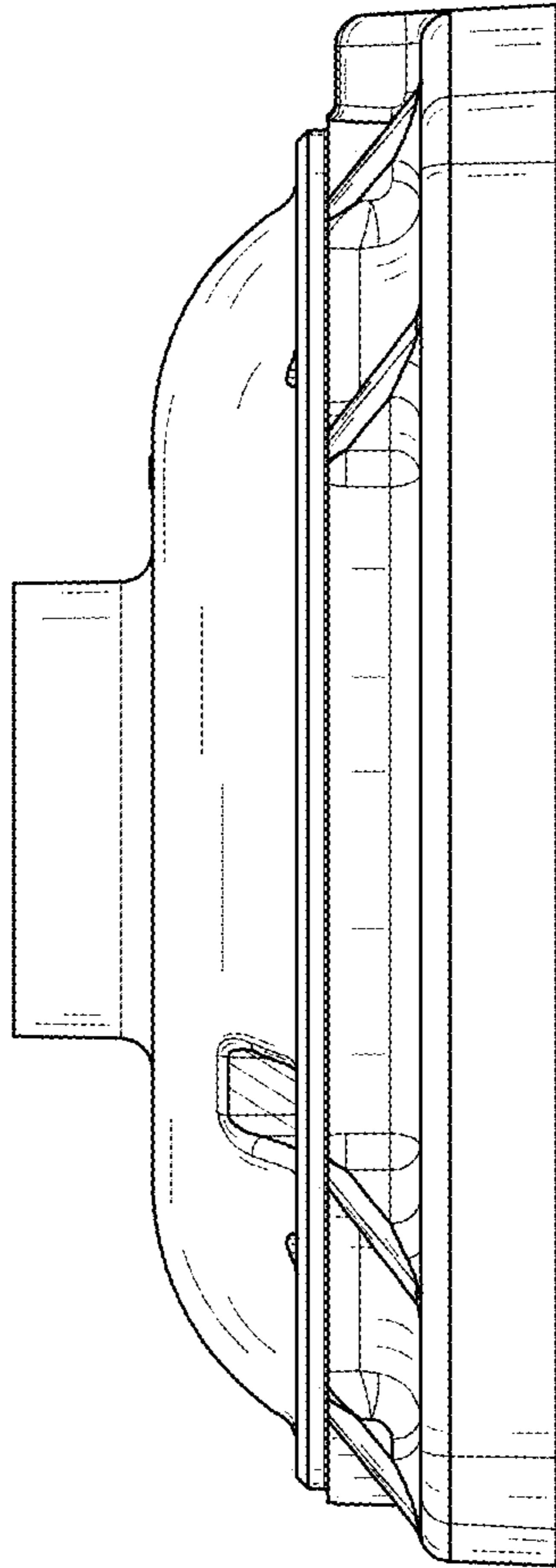


FIG. 26