

US00D969742S

(12) **United States Design Patent**
Huang

(10) **Patent No.:** **US D969,742 S**

(45) **Date of Patent:** **** Nov. 15, 2022**

(54) **INVERTER**

(71) Applicant: **Guangzhou Xuyuan Electronic Technology Co., Ltd.**, Guangzhou (CN)

(72) Inventor: **Yuting Huang**, Heyuan (CN)

(**) Term: **15 Years**

(21) Appl. No.: **29/786,339**

(22) Filed: **May 31, 2021**

(51) **LOC (13) Cl.** **13-02**

(52) **U.S. Cl.**
USPC **D13/110**

(58) **Field of Classification Search**
USPC D13/101, 102, 103, 107, 108, 110, 118,
D13/119, 123, 144, 184, 199; D14/251,
D14/253, 432, 434
CPC .. H02J 7/00; H02J 7/027; H02J 7/0042; H02J
7/0045; H02J 7/0047; H02J 7/0063; H02J
7/32; H02J 7/342; H02J 7/1423; H02M
7/00; H02M 7/003; H01M 2/202; H01M
2/204; H01M 2/1022; H01M 2/342;
H05K 5/0247; Y02T 10/7005; Y02T
10/705; Y02T 10/7088; F21L 4/00

See application file for complete search history.

(56) **References Cited**

U.S. PATENT DOCUMENTS

D435,242 S	*	12/2000	Yoshida	D13/110
D511,746 S	*	11/2005	Lu	D13/110
D683,696 S	*	6/2013	Woodard	D13/103
D704,639 S	*	5/2014	Alesi	D13/110
D841,579 S	*	2/2019	Lai	D13/103

* cited by examiner

Primary Examiner — Derrick E Holland

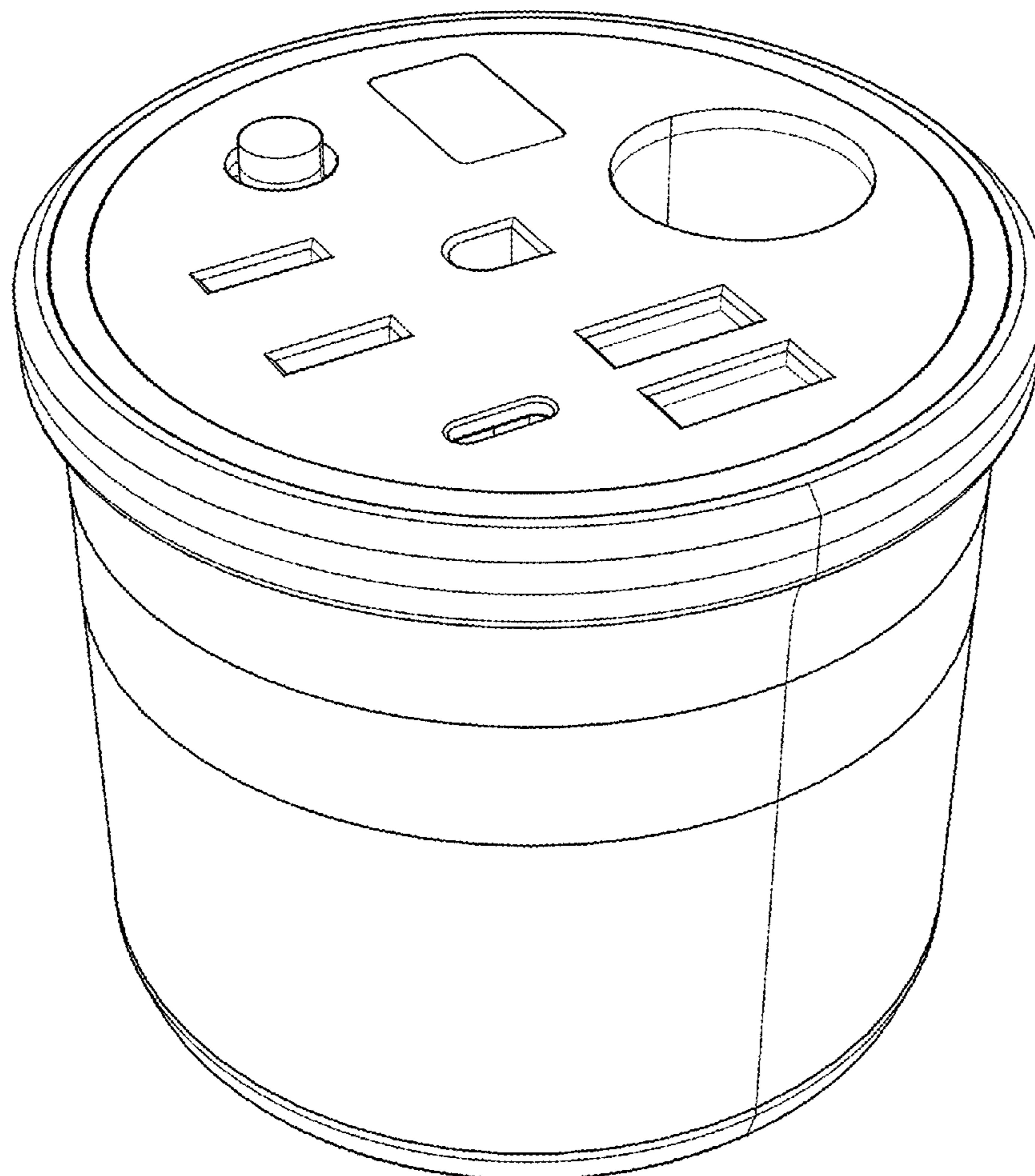
(57) **CLAIM**

The ornamental design for an inverter, as shown and described.

DESCRIPTION

FIG. 1 is a perspective view of an inverter showing my new design;
FIG. 2 is another perspective view thereof;
FIG. 3 is a front view thereof;
FIG. 4 is a rear view thereof;
FIG. 5 is a left side view thereof;
FIG. 6 is a right side view thereof;
FIG. 7 is a top plan view thereof; and,
FIG. 8 is a bottom plan view thereof.

1 Claim, 8 Drawing Sheets



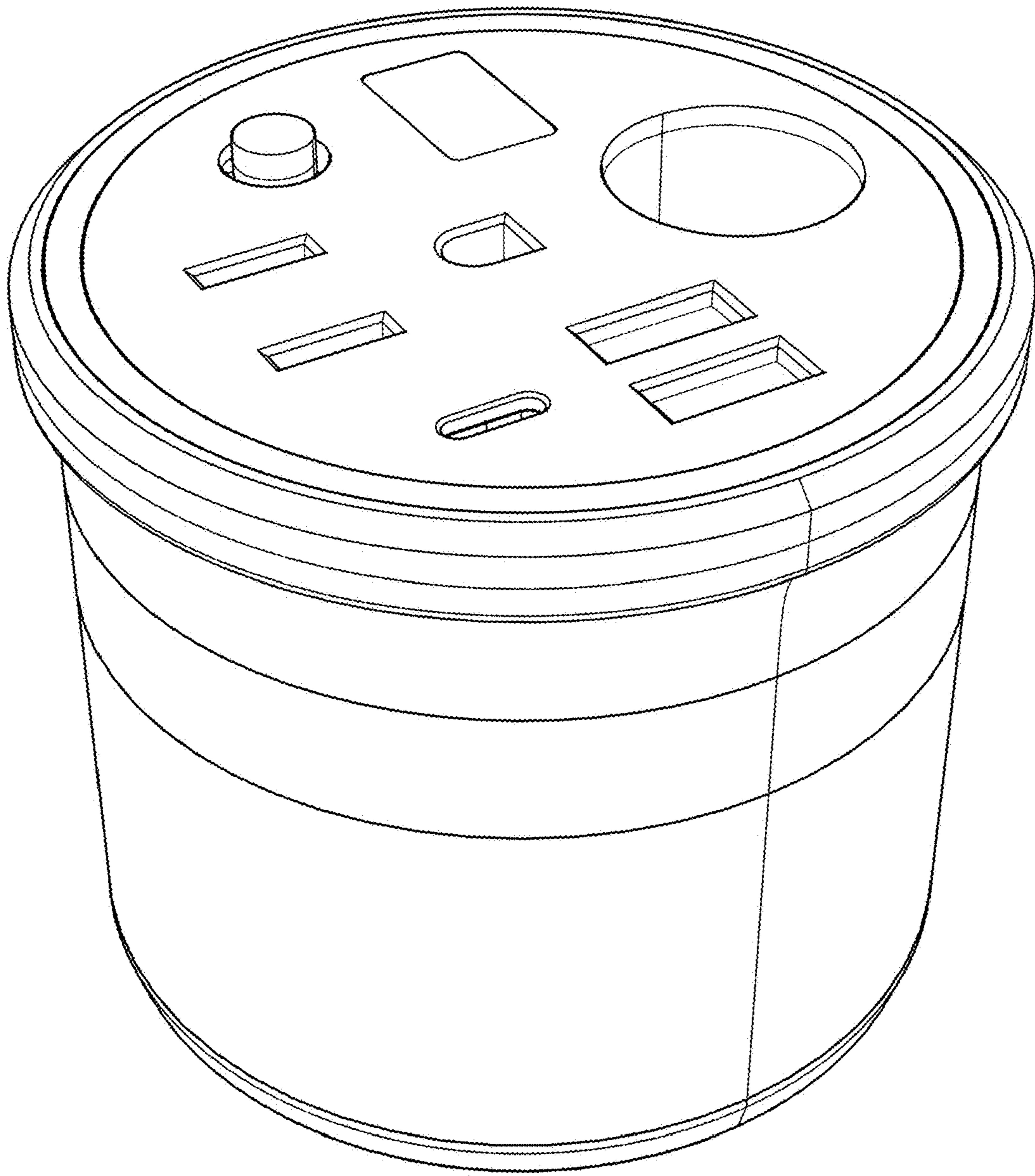


FIG.1

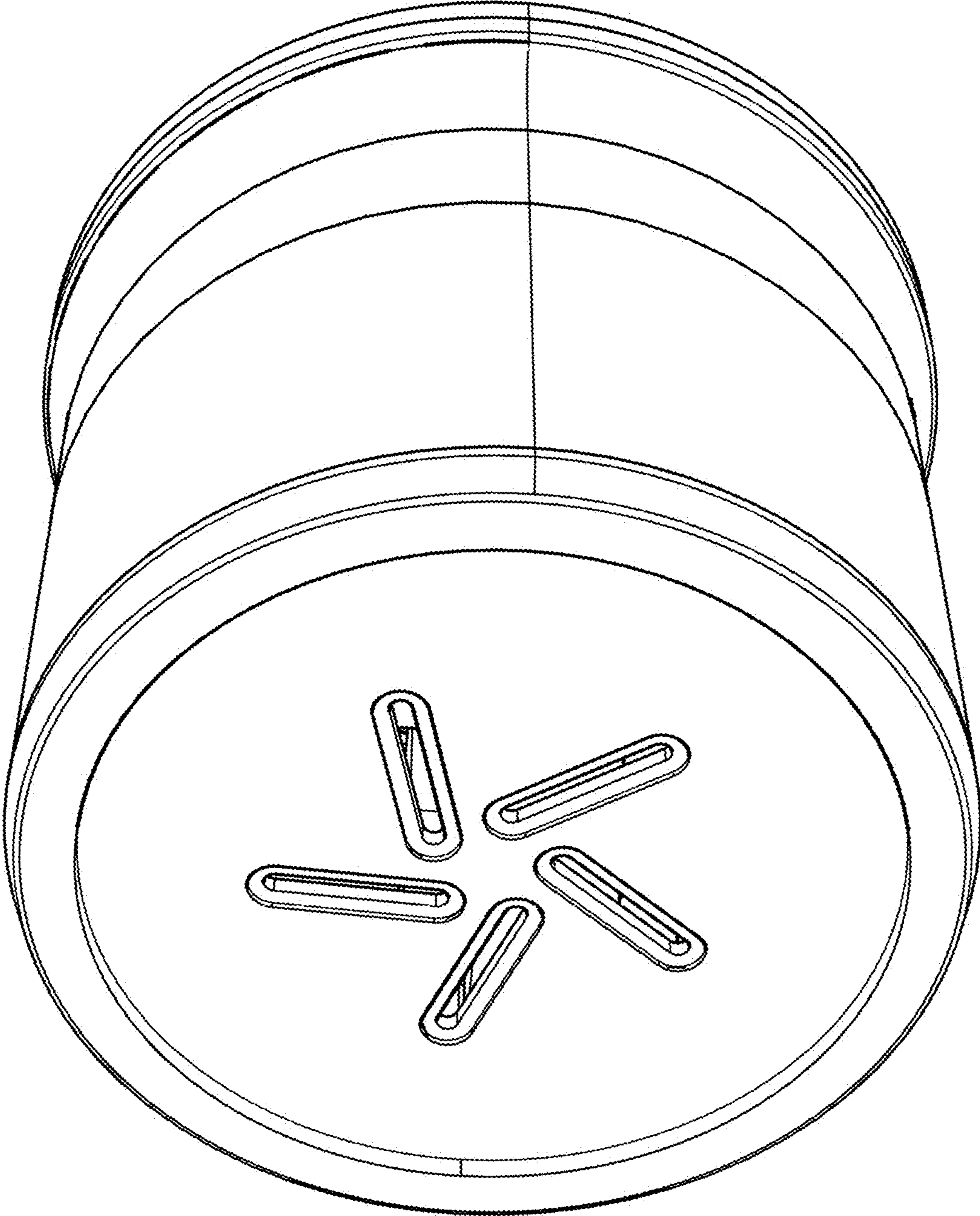


FIG.2

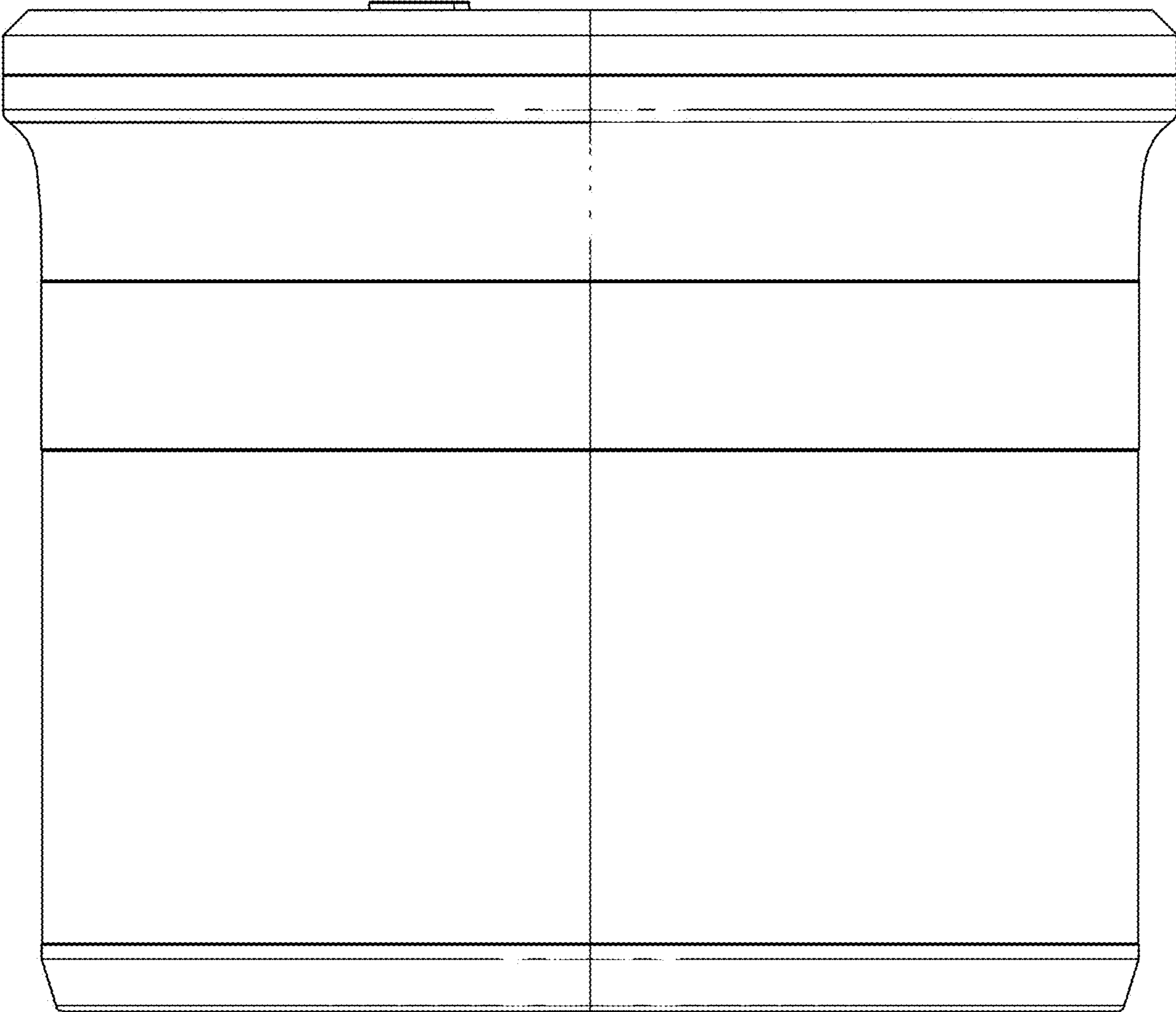


FIG.3

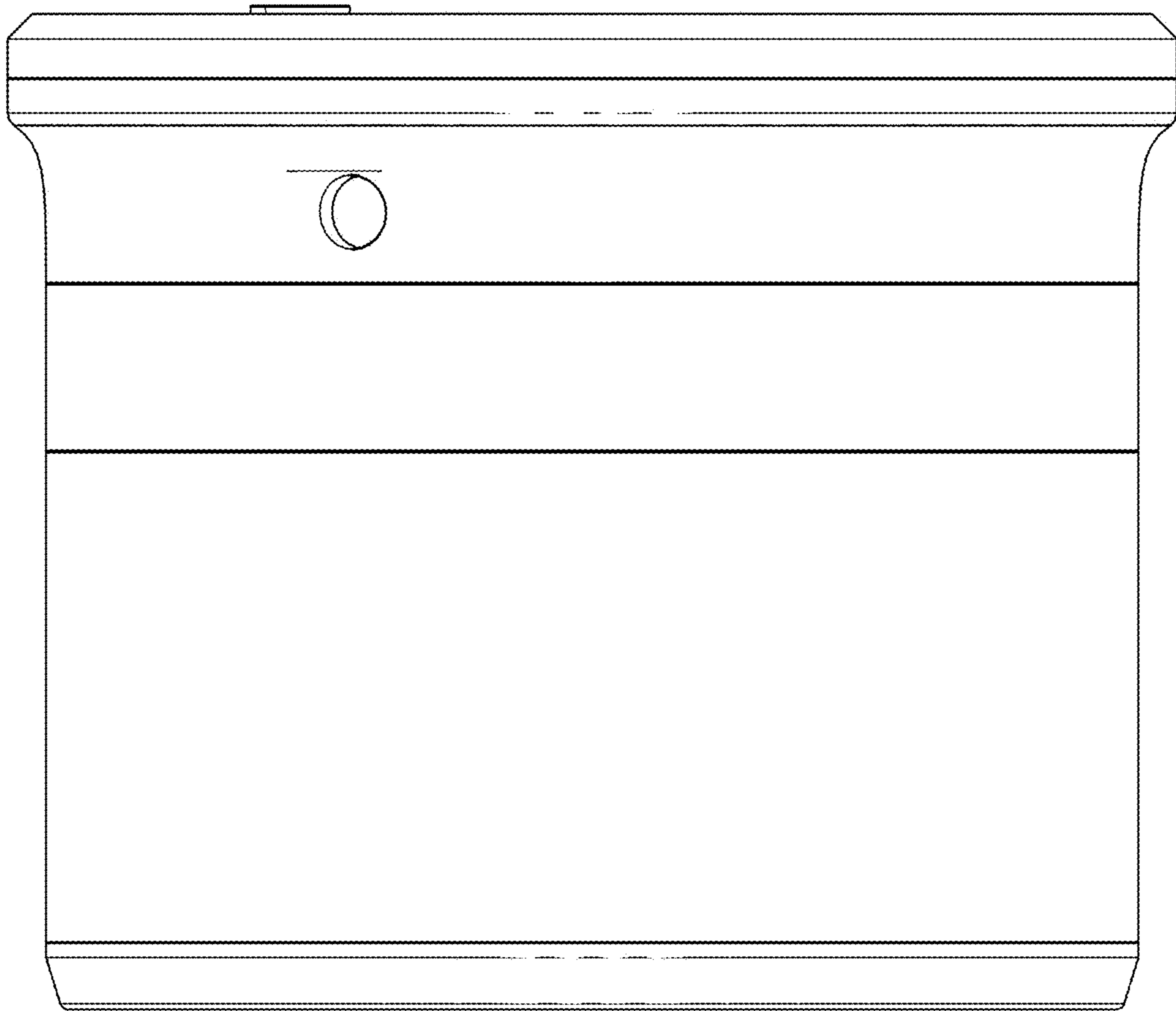


FIG.4

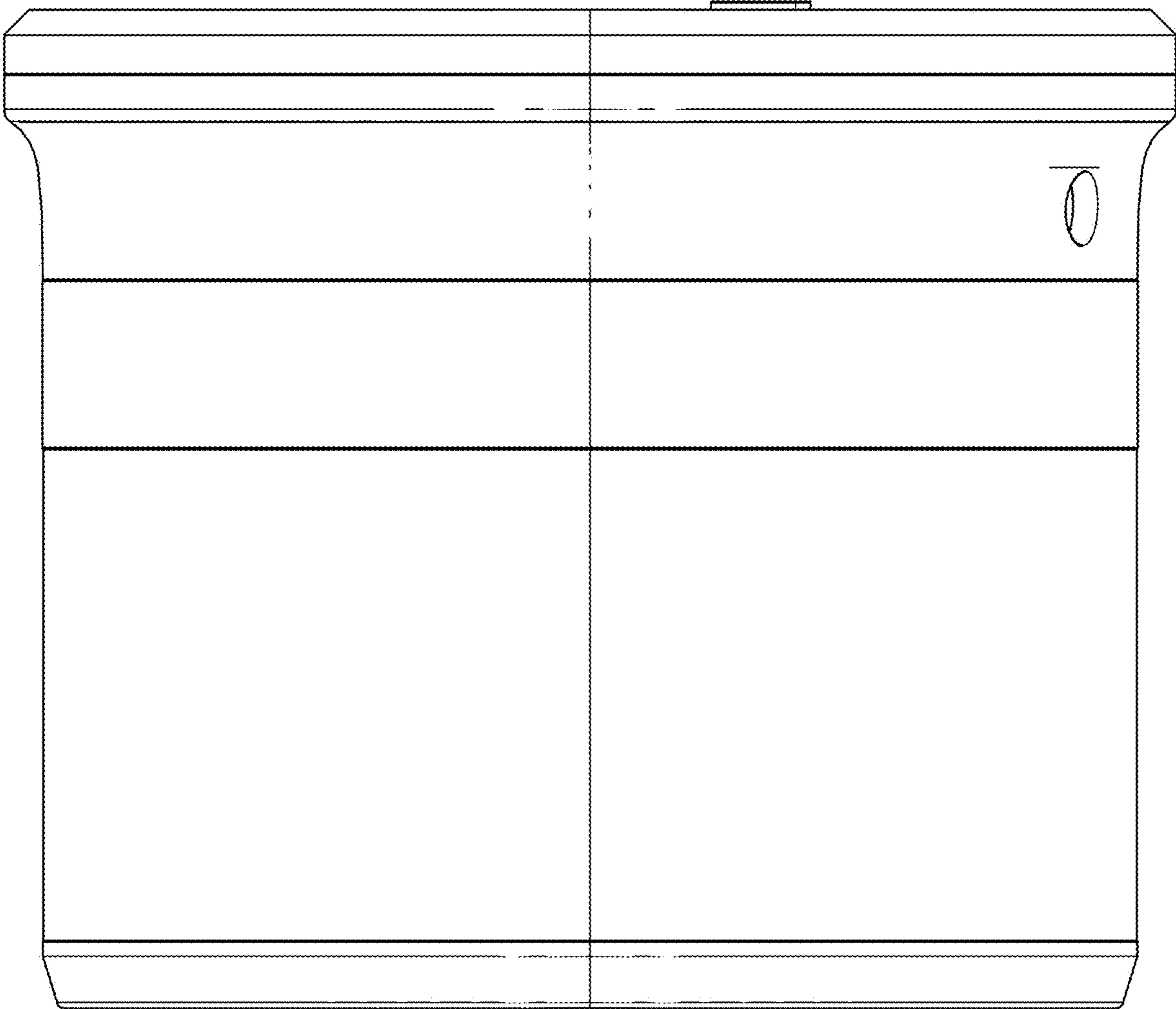


FIG.5

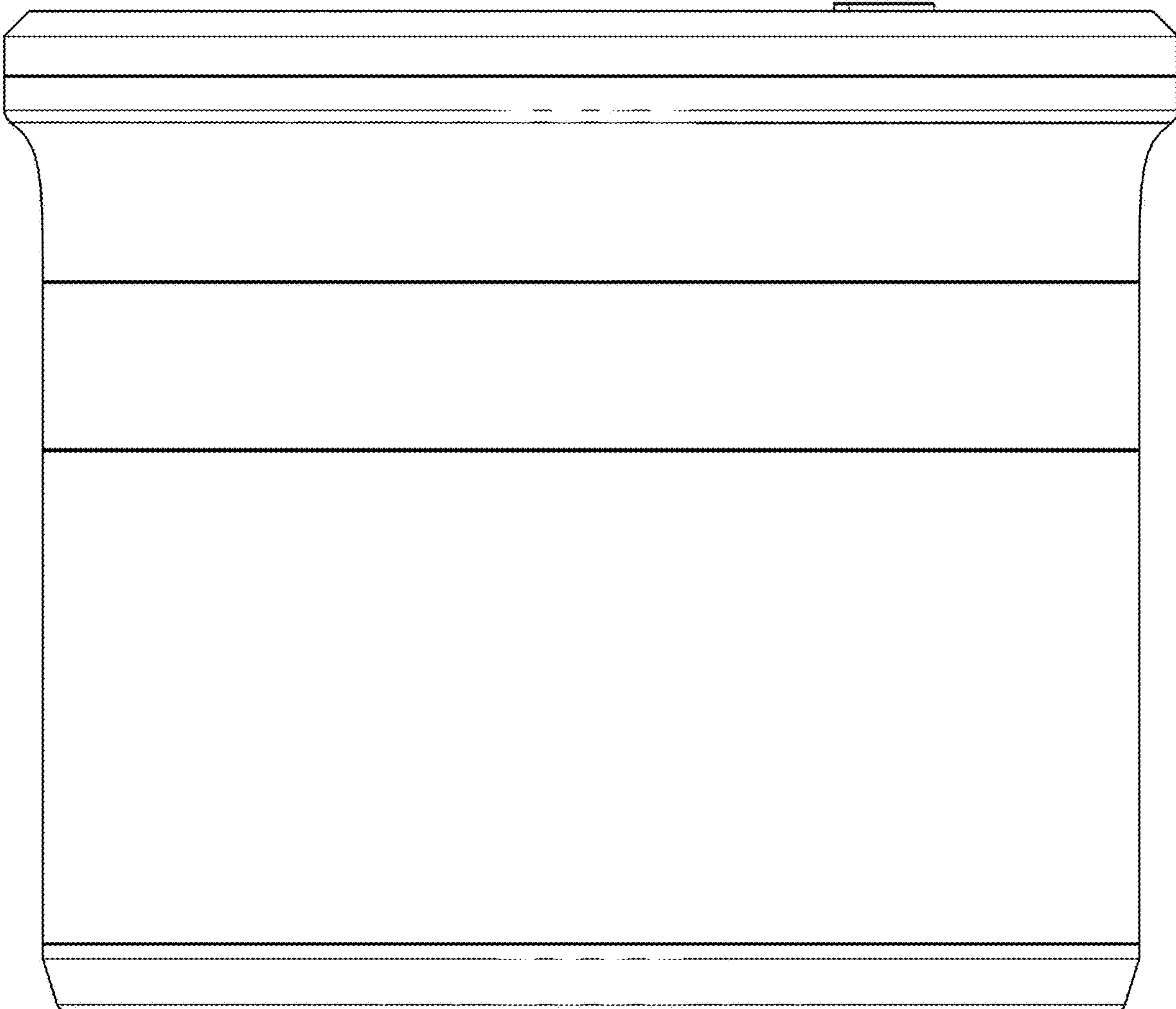


FIG.6

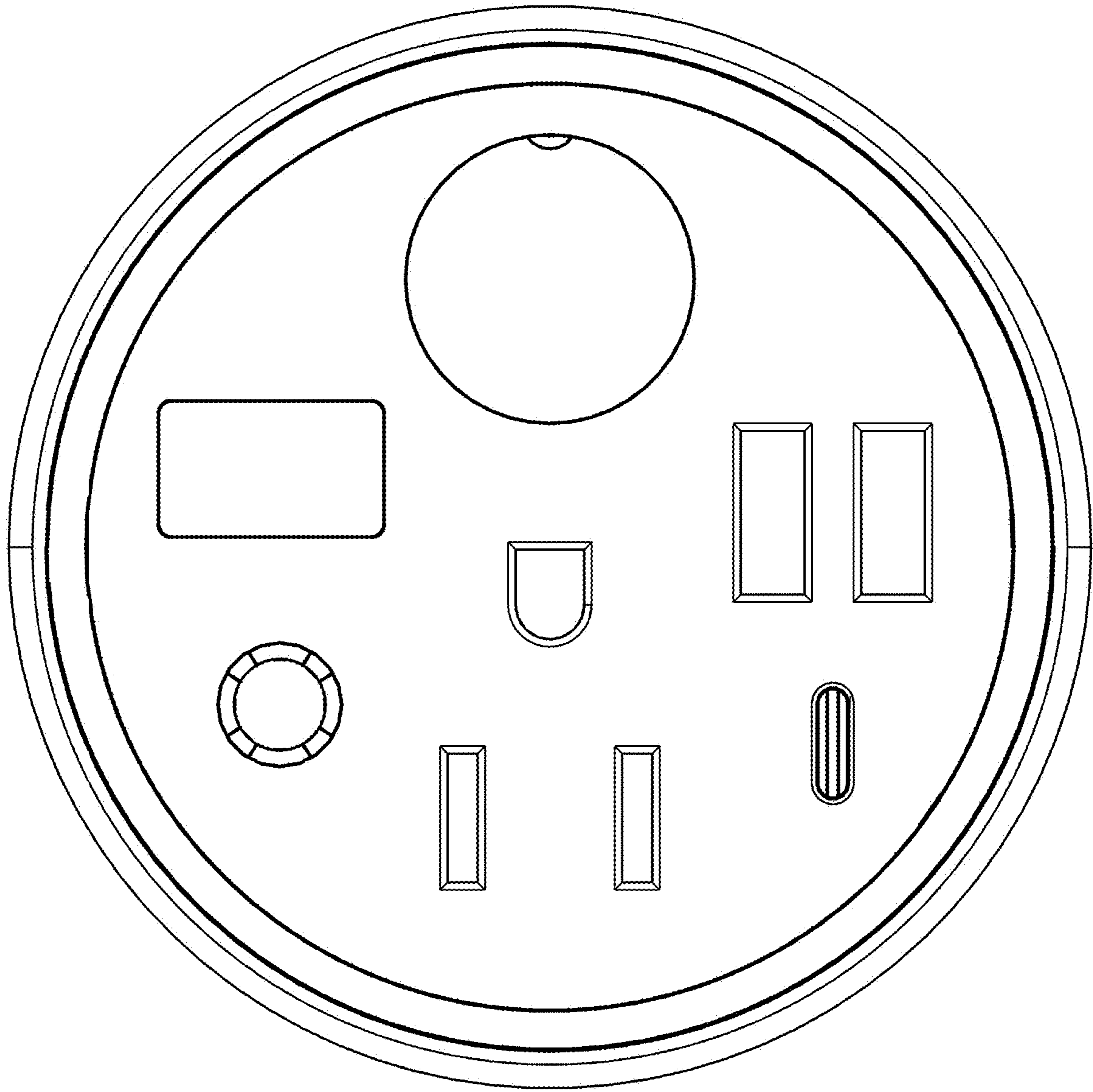


FIG.7

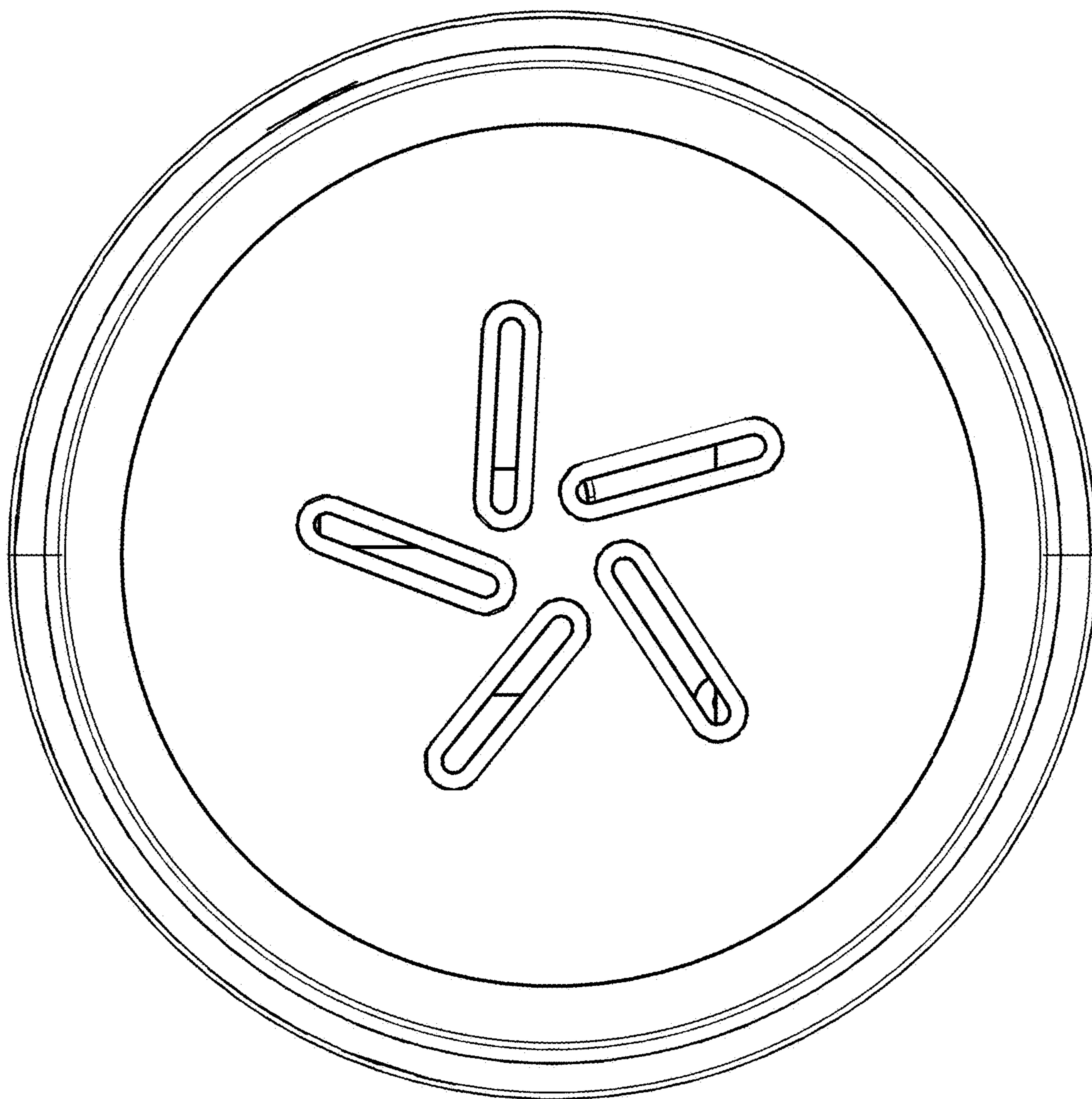


FIG.8