



US00D969741S

(12) **United States Design Patent**
Zhong

(10) **Patent No.:** **US D969,741 S**

(45) **Date of Patent:** **** Nov. 15, 2022**

(54) **ADAPTER UNIT**

(71) Applicant: **Taibao Zhong**, Hunan (CN)

(72) Inventor: **Taibao Zhong**, Hunan (CN)

(73) Assignee: **Zhuzhou Zhongpusen Technology Co., Ltd.**, Hunan (CN)

(**) Term: **15 Years**

(21) Appl. No.: **29/777,664**

(22) Filed: **Apr. 7, 2021**

(51) **LOC (13) Cl.** **13-02**

(52) **U.S. Cl.**
USPC **D13/110**

(58) **Field of Classification Search**
USPC ... D13/110, 103, 107, 108, 118, 123, 137.1, D13/137.2, 137.4, 138.1, 147, 162, 168, D13/169, 174, 177, 184, 199; D14/257, D14/356, 357, 432, 433
CPC H05K 5/00; H05K 5/02; H05K 5/0247; H05K 7/00; H05K 7/20; H05K 7/20136; H05K 7/20154; H05K 7/209; H02M 7/00; H02M 7/003; H02M 2001/009; H02J 7/0042; Y10T 307/367; Y02E 60/12; Y02E 60/50; H01M 2/02; H01M 2/025; H01M 2/0207; H01M 2/0212; H01M 10/44; H01R 13/60; H01R 13/72; H01R 13/6658; H01R 25/003; H01R 25/006; G06F 3/023; G06F 3/038; G06F 3/0626; G06F 3/0658; G06F 9/4413

See application file for complete search history.

(56) **References Cited**

U.S. PATENT DOCUMENTS

D587,193 S *	2/2009	McGinley	D13/110
8,113,855 B2 *	2/2012	Green	H01R 13/6675 439/131
D704,630 S *	5/2014	Liu	D13/108
D730,823 S *	6/2015	Leung	D13/108
D734,259 S *	7/2015	Cepress	D13/110
D841,582 S *	2/2019	Tian	D13/108
D867,989 S *	11/2019	Akana	D13/110
D902,863 S *	11/2020	Yang	D13/137.2
2015/0311656 A1 *	10/2015	Lai	H01R 31/065 439/620.22
2019/0081431 A1 *	3/2019	Heyman	H01R 31/065

* cited by examiner

Primary Examiner — Derrick E Holland

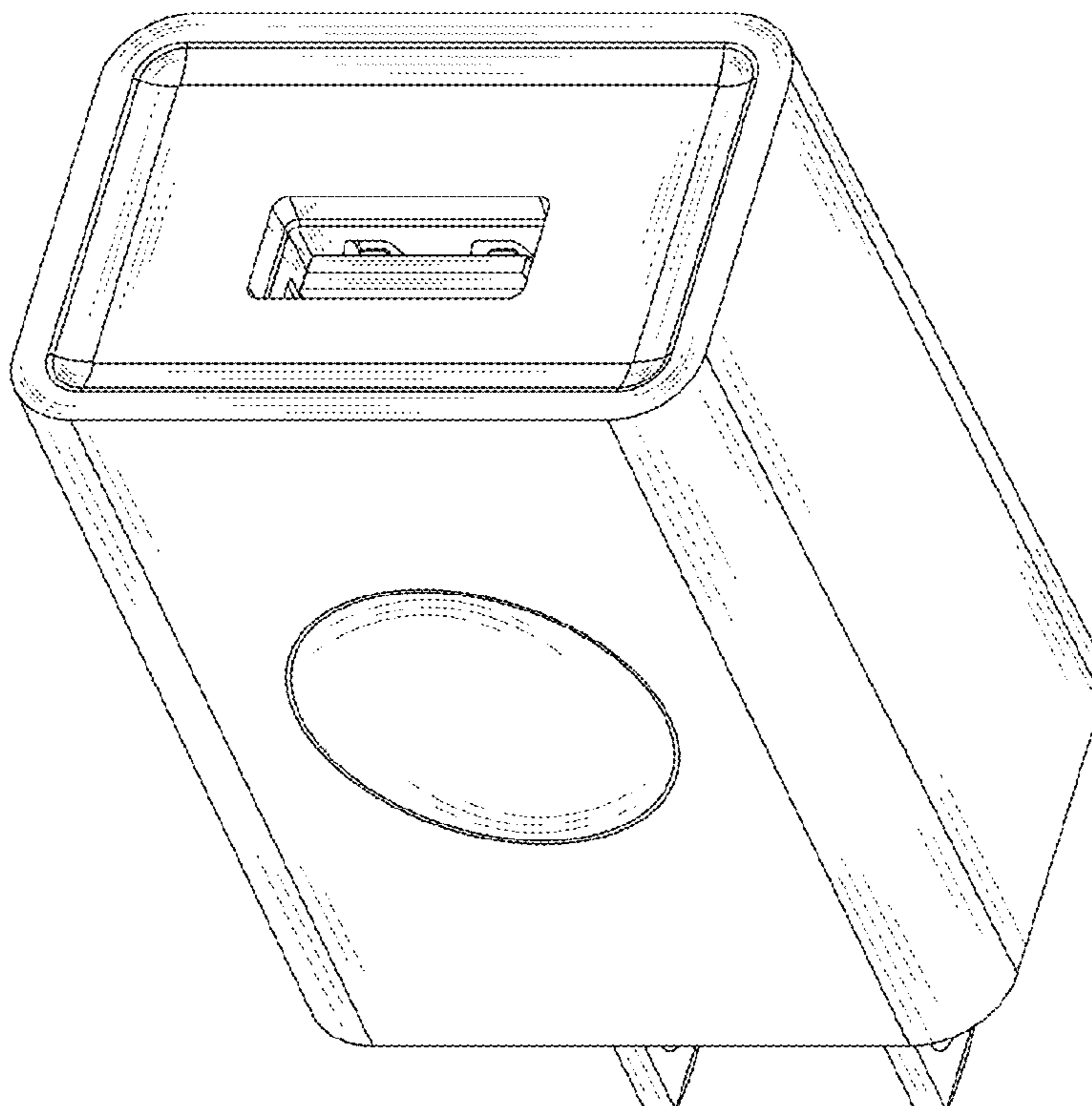
(57) **CLAIM**

The ornamental design for a adapter unit, as shown and described.

DESCRIPTION

FIG. 1 is a perspective view of a adapter unit showing my new design;
FIG. 2 is a front elevation view thereof;
FIG. 3 is a rear elevation view thereof;
FIG. 4 is a left side elevation view thereof;
FIG. 5 is a right side elevation view thereof;
FIG. 6 is a top plan view thereof; and,
FIG. 7 is a bottom plan view thereof.

1 Claim, 7 Drawing Sheets



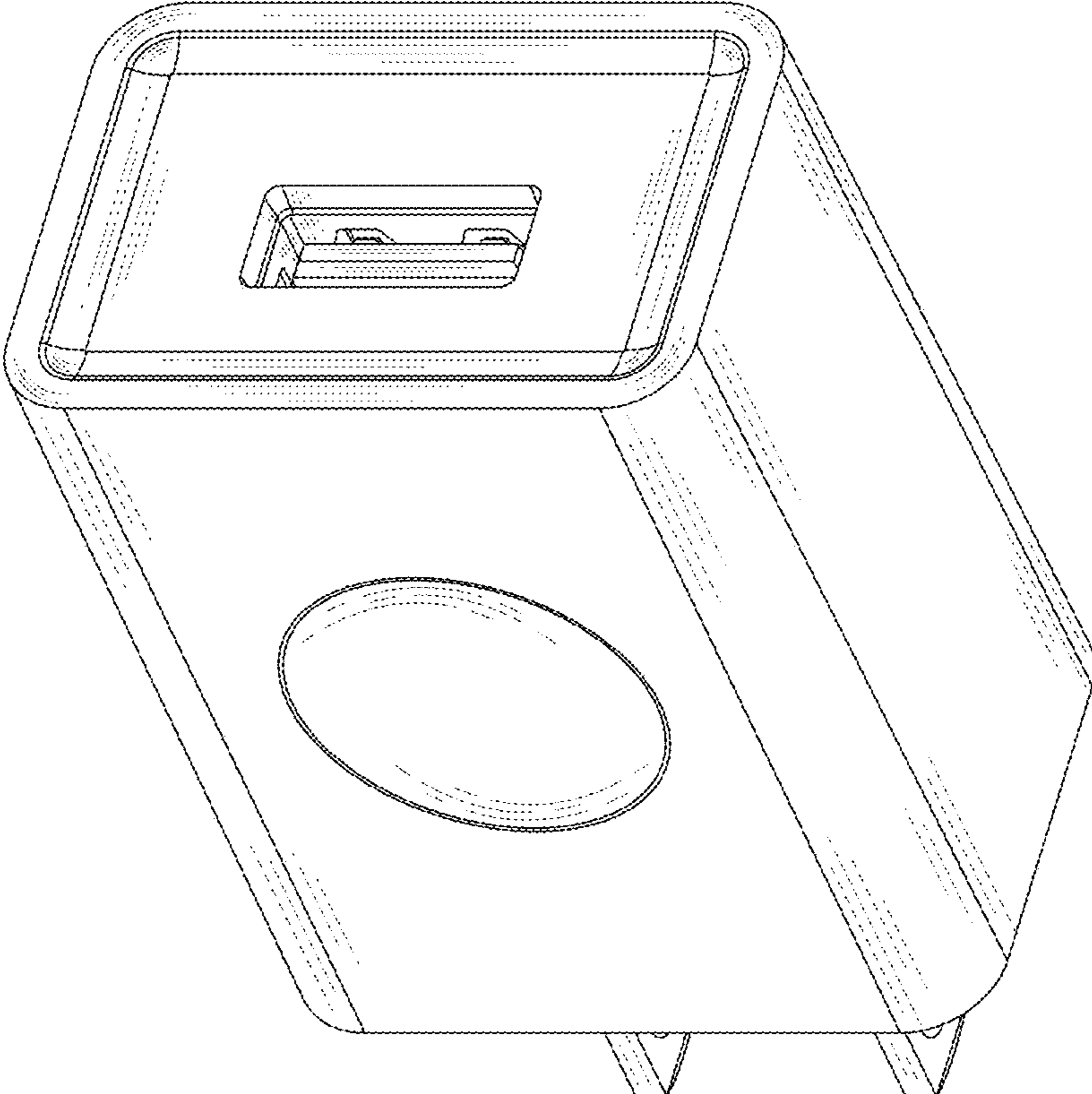


FIG. 1

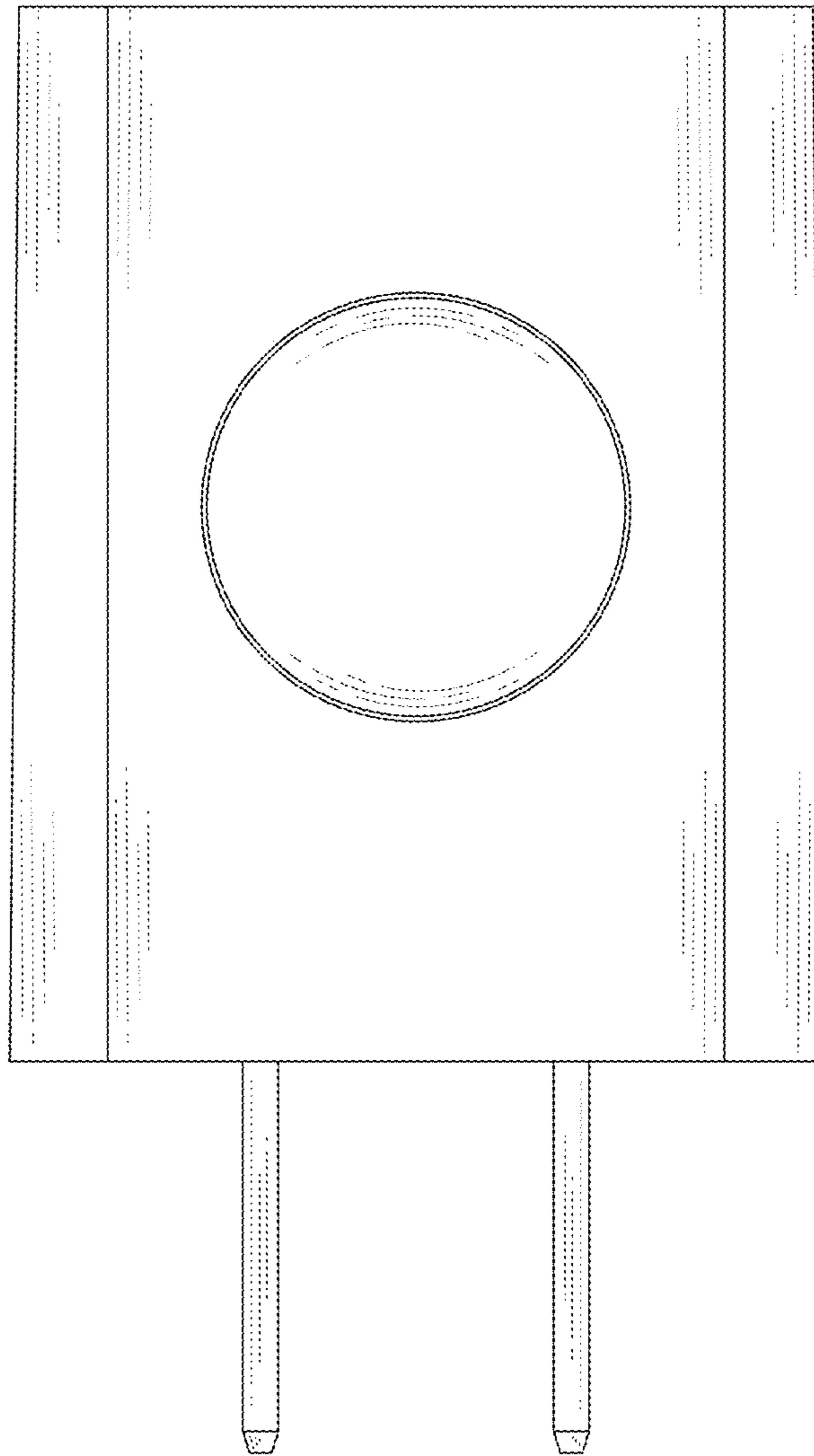


FIG. 2

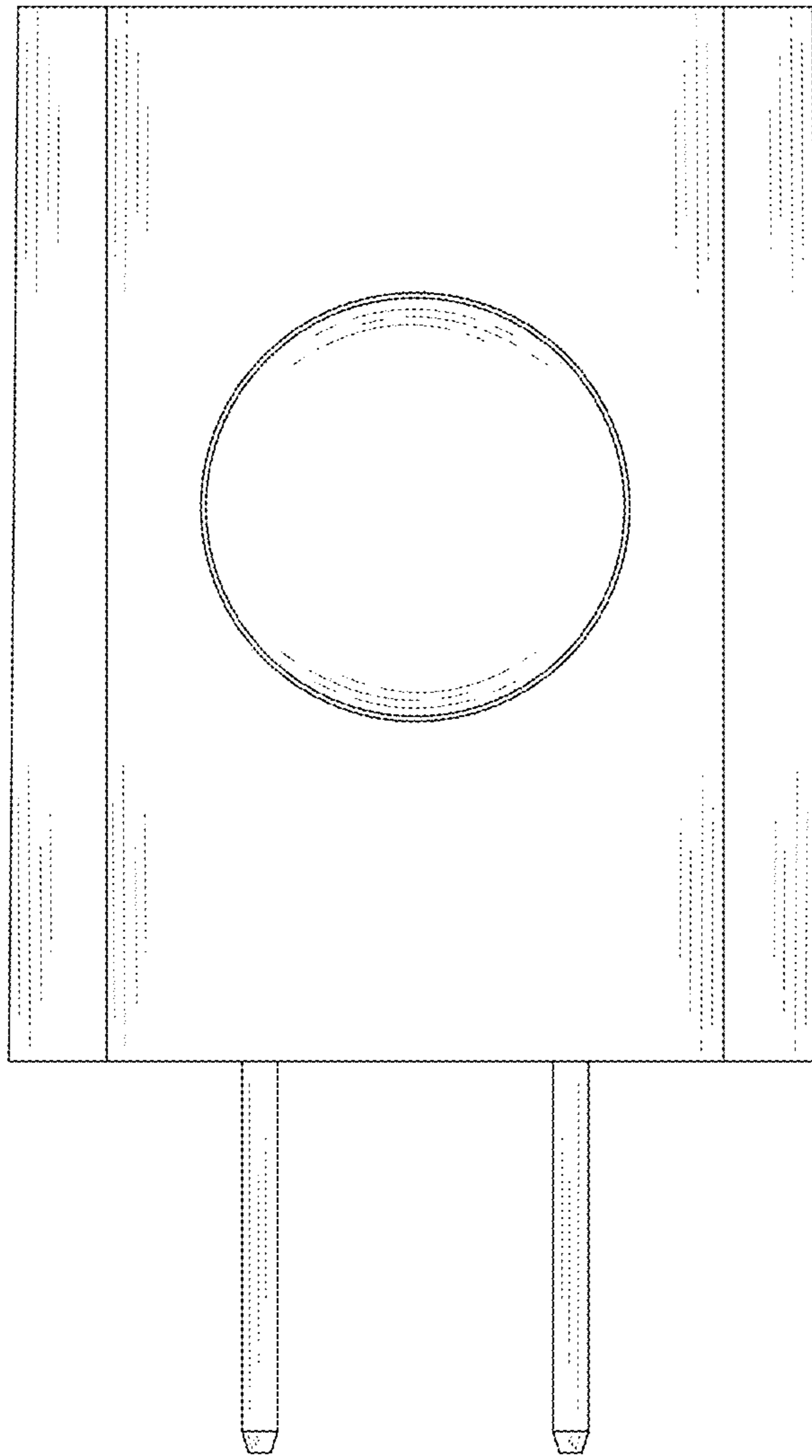


FIG. 3

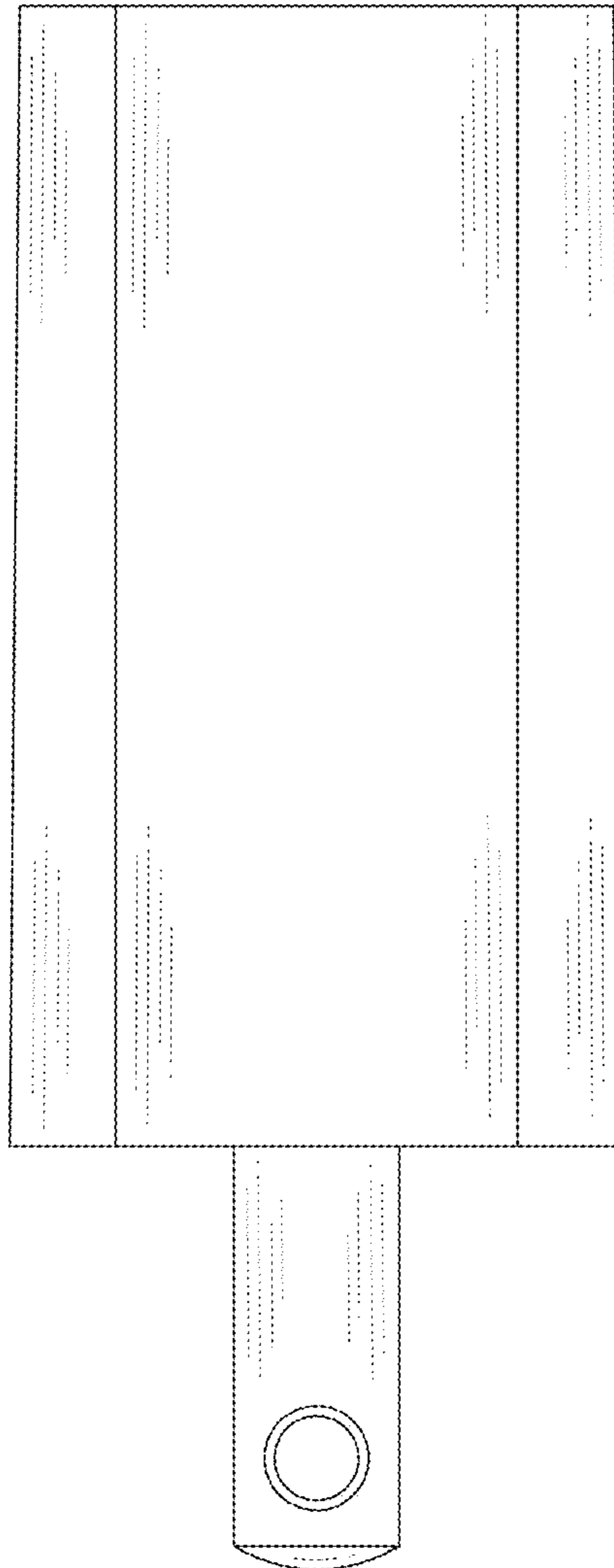


FIG. 4

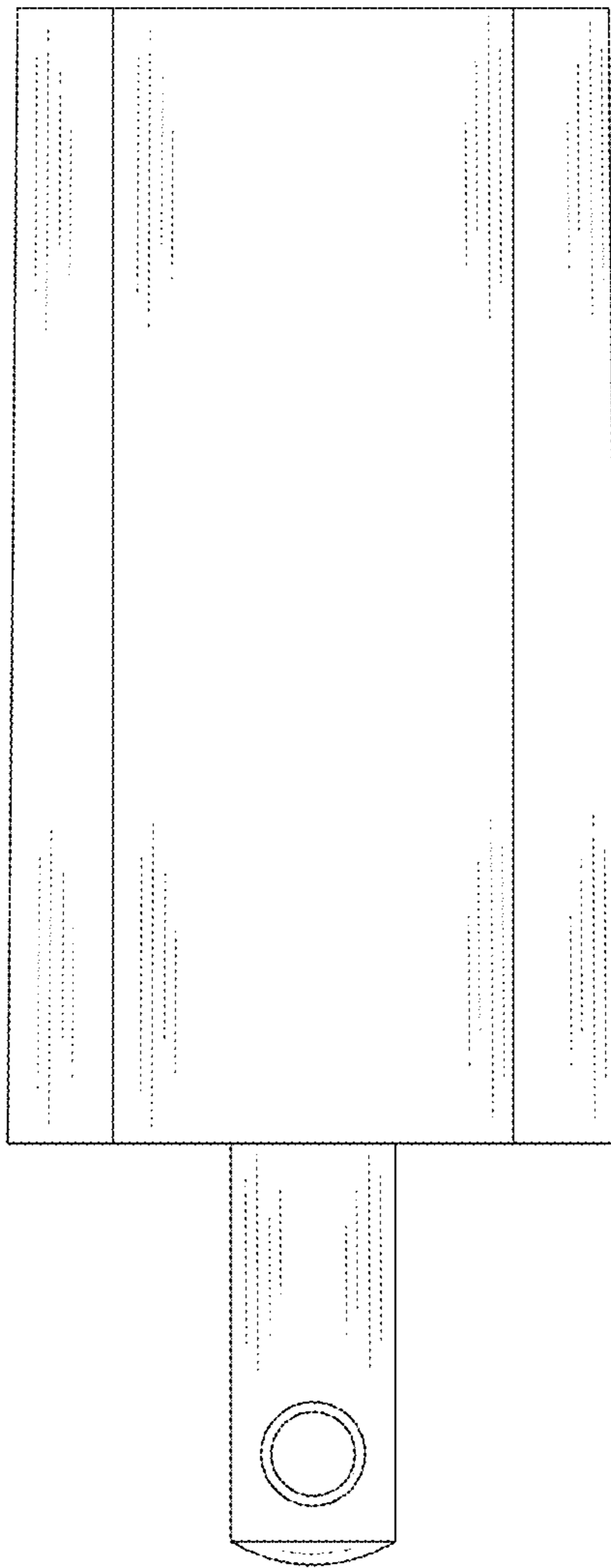


FIG. 5

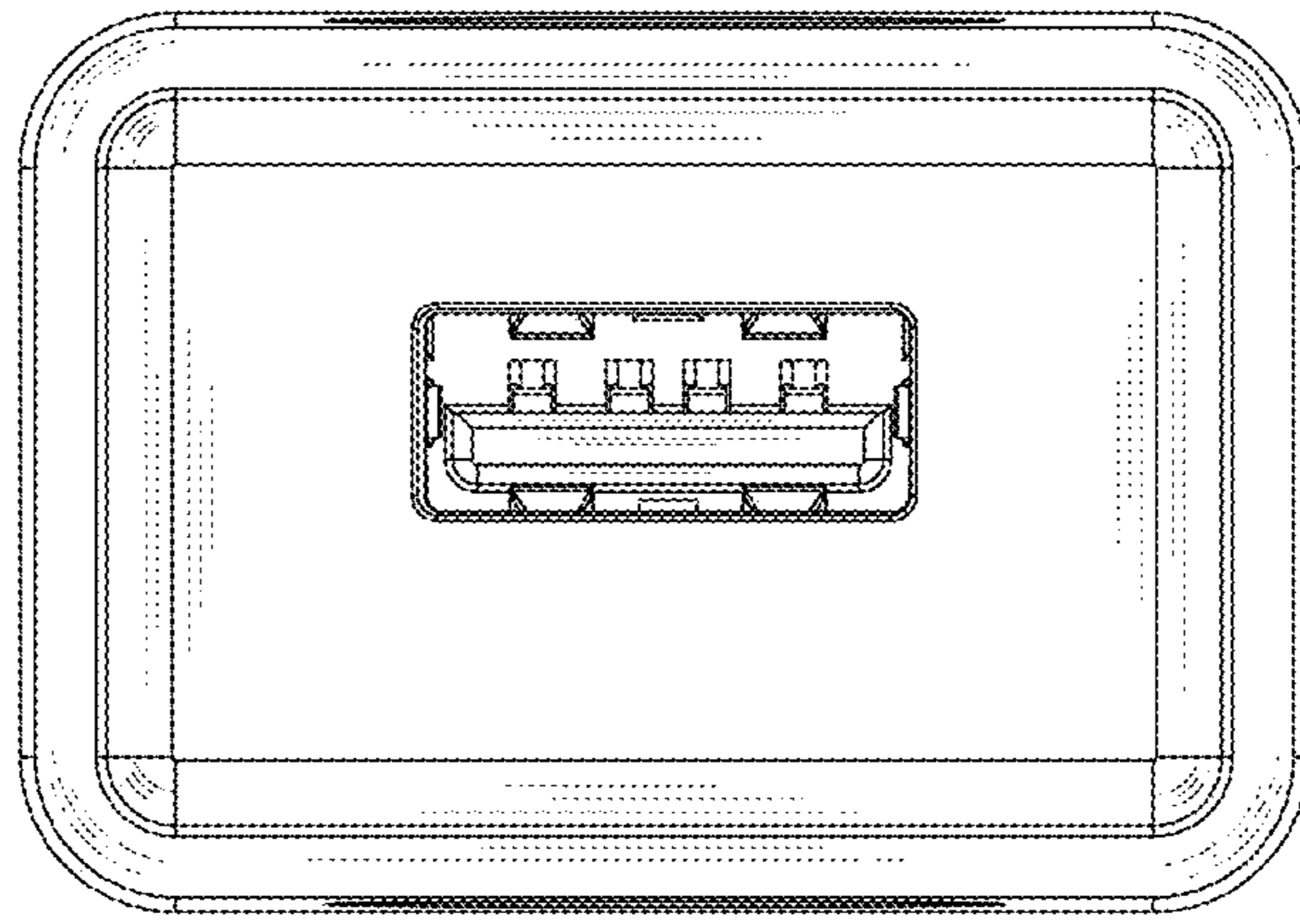


FIG. 6

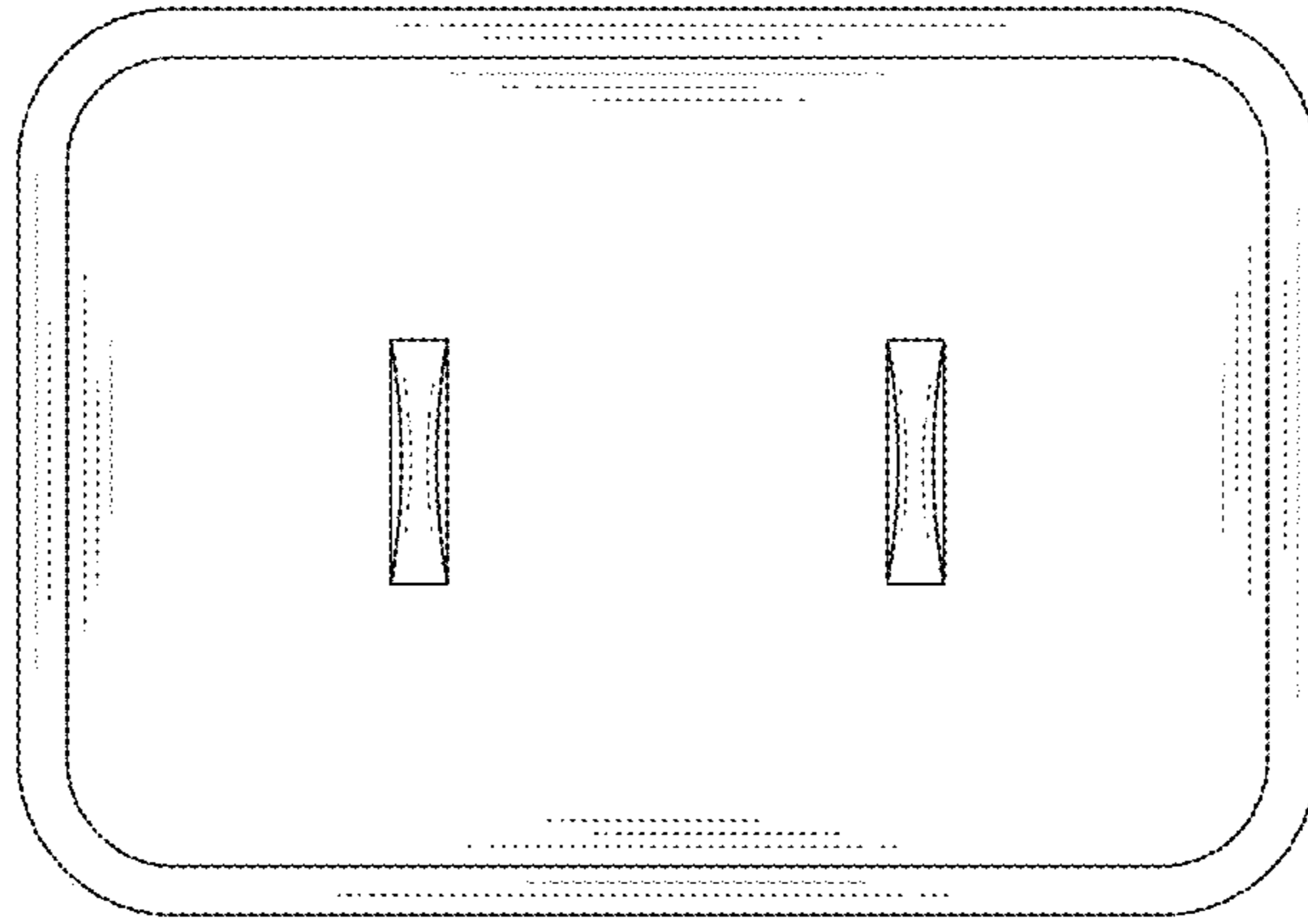


FIG. 7