



US00D969739S

(12) **United States Design Patent**
Georgiades

(10) **Patent No.:** **US D969,739 S**

(45) **Date of Patent:** **** Nov. 15, 2022**

- (54) **PORTABLE CHARGER DEVICE**
- (71) Applicant: **Molonlave Group LLC**, Long Island City, NY (US)
- (72) Inventor: **Marios Georgiades**, Saddle River, NJ (US)
- (73) Assignee: **Molonlave Group LLC**, Long Island City, NY (US)
- (**) Term: **15 Years**
- (21) Appl. No.: **29/772,133**
- (22) Filed: **Feb. 26, 2021**

Related U.S. Application Data

- (62) Division of application No. 29/663,526, filed on Sep. 17, 2018, now Pat. No. Des. 915,273.
- (51) **LOC (13) Cl.** **13-02**
- (52) **U.S. Cl.**
USPC **D13/108**
- (58) **Field of Classification Search**
USPC D13/107–110, 118–119, 184, 199, 103;
D14/251, 253, 432, 434
CPC H02J 7/025; H02J 7/005; H02J 7/0026;
H02J 7/0042; H02J 7/0044; H02J 7/0045;
H02J 7/0013; H02J 7/0003; H02J 50/00;
H02J 50/10; H02J 50/12; H02J 50/80
See application file for complete search history.

(56) **References Cited**

U.S. PATENT DOCUMENTS

- D600,640 S 9/2009 Stein et al.
- D601,955 S 10/2009 Ekmekdje
- D683,305 S * 5/2013 Gupta D13/103
- D701,489 S 3/2014 Symons
- D711,822 S 8/2014 Emano
- D725,591 S 3/2015 Chien et al.
- D751,985 S 3/2016 Curry

- D797,747 S * 9/2017 Xu D14/433
- D813,803 S 3/2018 Massar
- D814,412 S 4/2018 Georgiades
- D816,026 S 4/2018 Georgiades

(Continued)

OTHER PUBLICATIONS

“iWALK Small Portable Charger 3350mAh Power Bank Compatible with iPhone 13/13 Pro Max/12/12 Mini/12 Pro Max/11 Pro/XS Max/XR/X/8/7/6/Plus AirPods,(2pack,Black and White)”, Amazon.com, first available Dec. 1, 2020. Retrieved from the internet: <<https://www.amazon.com/dp/B08PCNLY4W/?th=1>>. (Year: 2020).*

(Continued)

Primary Examiner — Rosemary K Tarcza
(74) *Attorney, Agent, or Firm* — Ryan, Mason & Lewis, LLP

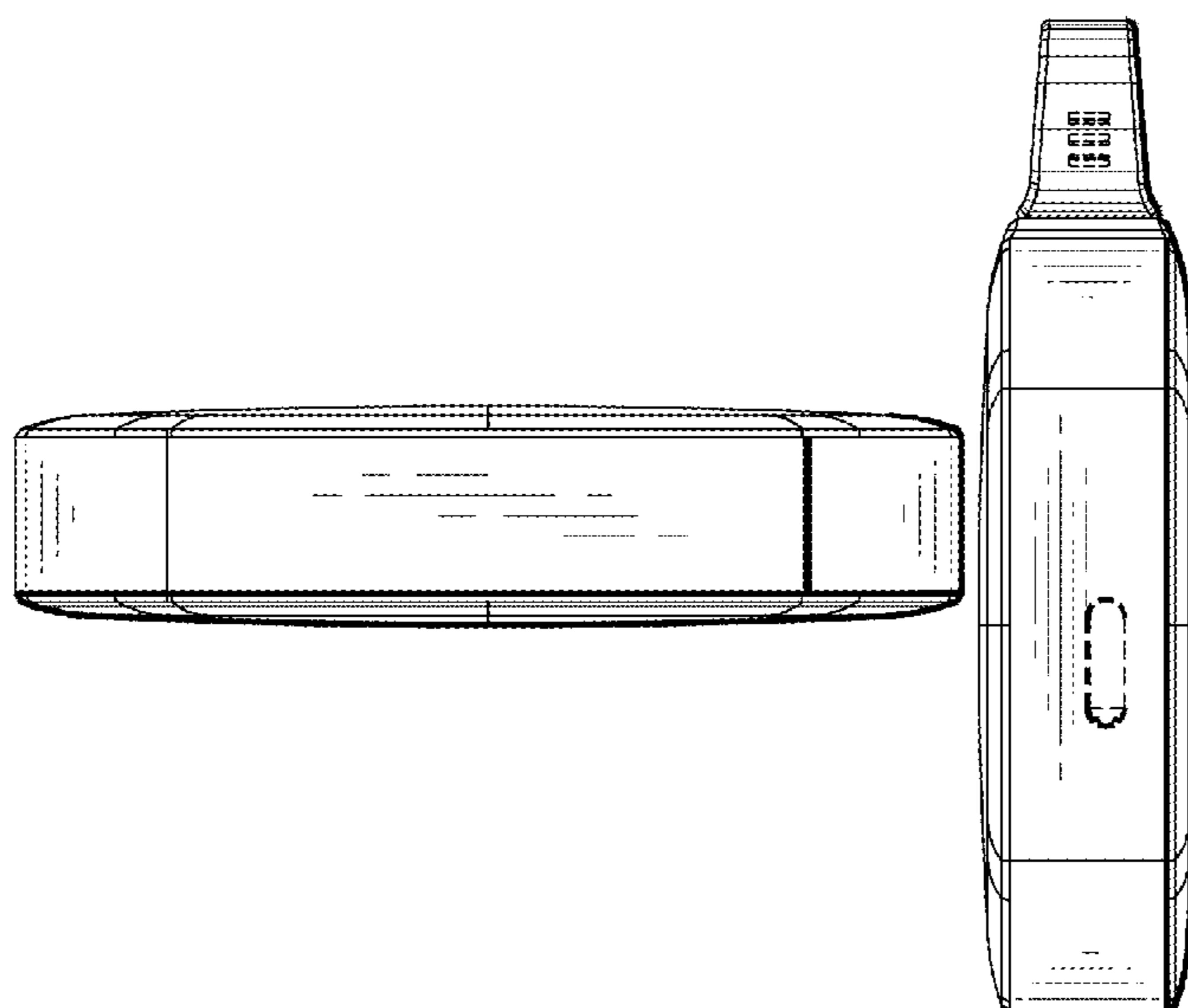
(57) **CLAIM**

The ornamental design for a portable charger device, substantially as shown and described.

DESCRIPTION

FIG. 1 is a bottom view of a modified embodiment of the portable charger device;
FIG. 2 is a left-side view of the modified embodiment of the portable charger device;
FIG. 3 front view of the modified embodiment of the portable charger device;
FIG. 4 is a right-side view of the modified embodiment of the portable charger device;
FIG. 5 is a back view of the modified embodiment of the portable charger device; and,
FIG. 6 is a top view of the modified embodiment of the portable device.
The features shown in broken lines depict portions of the portable charger device that form no part of the claimed design.

1 Claim, 2 Drawing Sheets



(56)

References Cited

U.S. PATENT DOCUMENTS

D816,606 S 5/2018 Georgiades
D821,972 S * 7/2018 Wei D13/108
D853,959 S 7/2019 Miller et al.
D864,861 S 10/2019 Roberts
D865,666 S 11/2019 Roberts
D865,667 S 11/2019 Roberts
D869,392 S 12/2019 Roberts
D881,121 S 4/2020 Roberts
D887,974 S 6/2020 Chen et al.
D897,287 S 9/2020 Georgiades
D898,665 S 10/2020 Georgiades
D906,959 S 1/2021 Turksu et al.
D915,273 S * 4/2021 Georgiades D13/108
D922,316 S * 6/2021 Starkey D13/108
D922,317 S * 6/2021 Starkey D13/108
D935,394 S * 11/2021 Qiu D13/108
2016/0049816 A1 * 2/2016 Yang H04M 1/72409
320/107

OTHER PUBLICATIONS

Rushcharge, "Products—Rush Charge," <https://rushcharge.com/collections/all>, retrieved Sep. 17, 2018, 4 pages.

* cited by examiner

FIG. 1

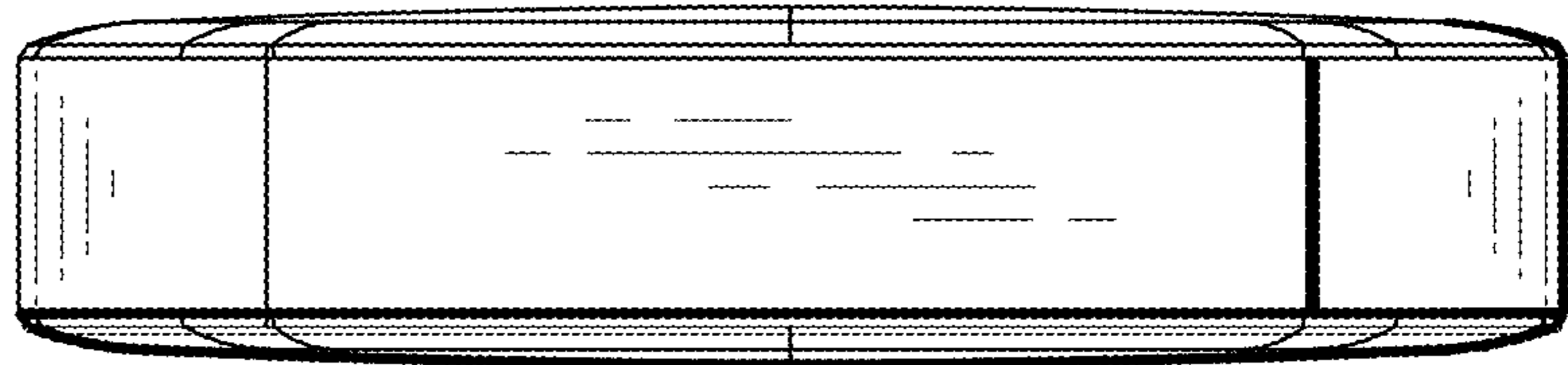


FIG. 2

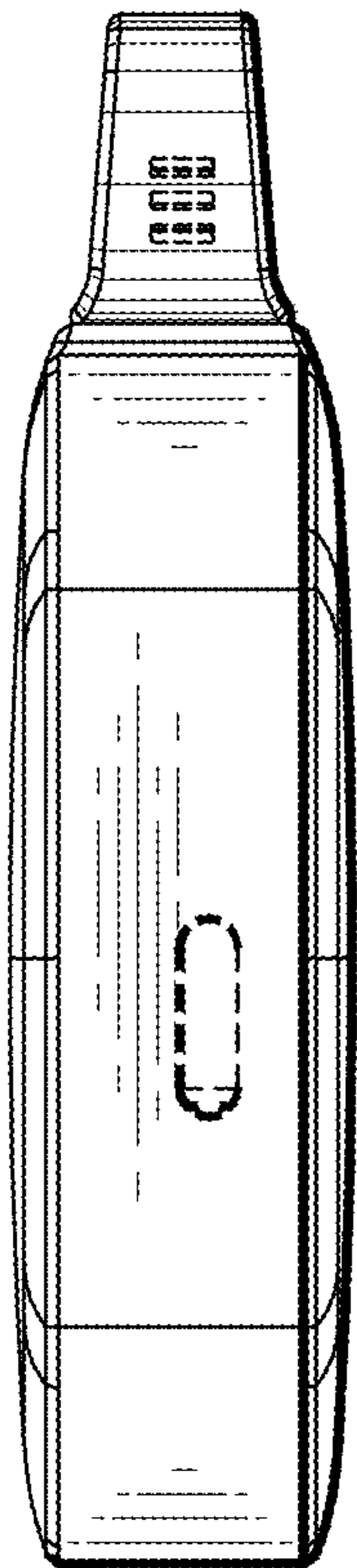


FIG. 3

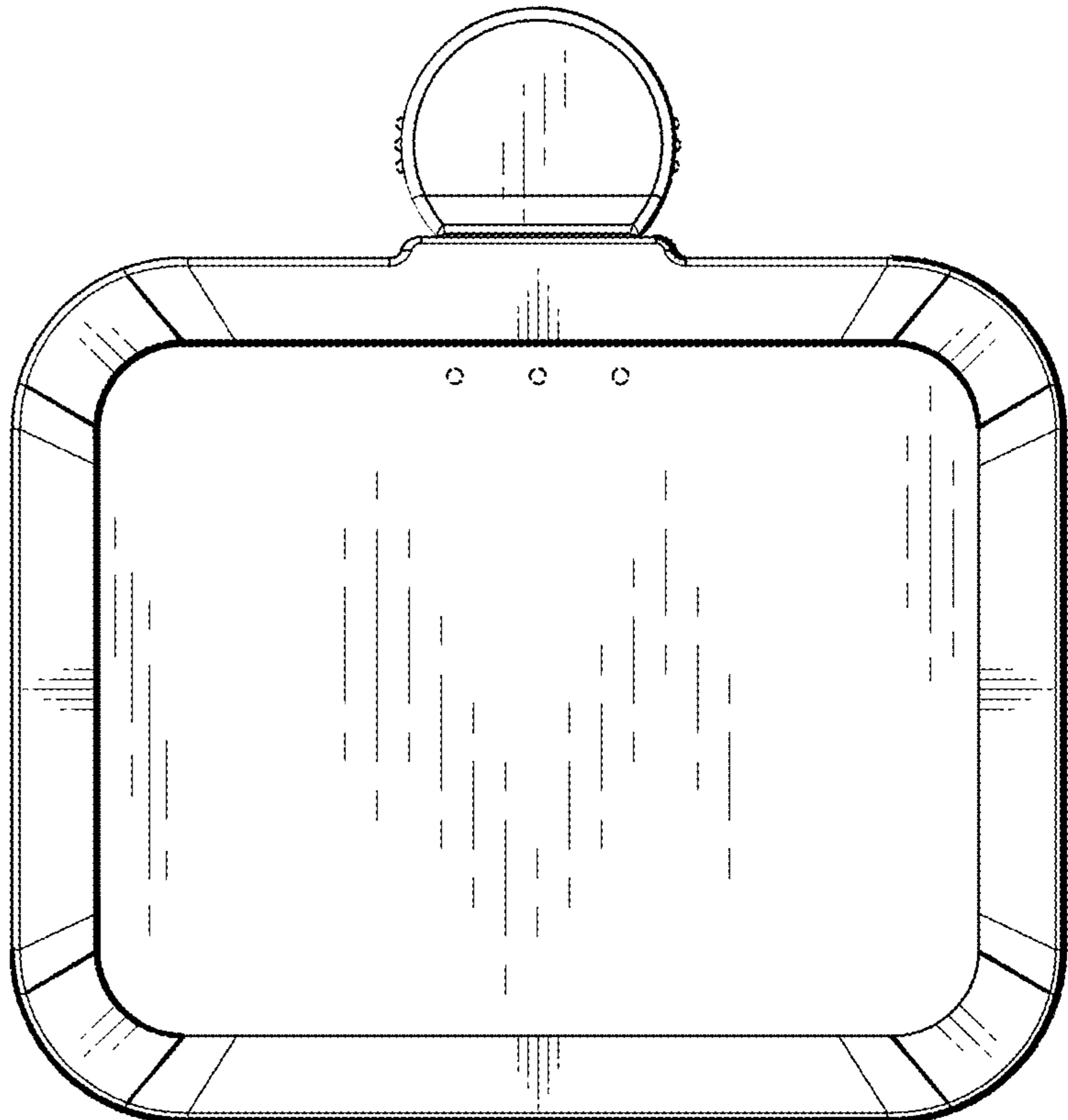


FIG. 4

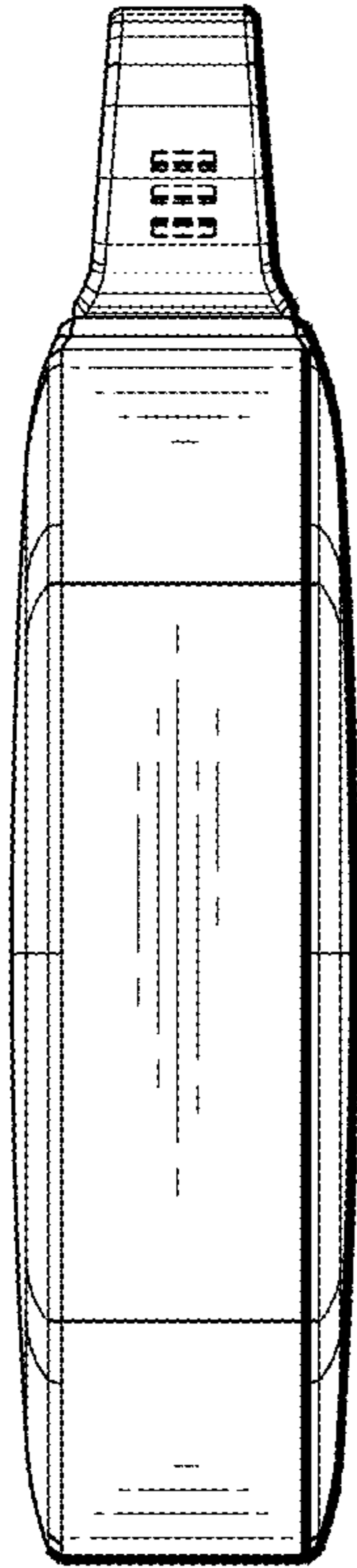


FIG. 5

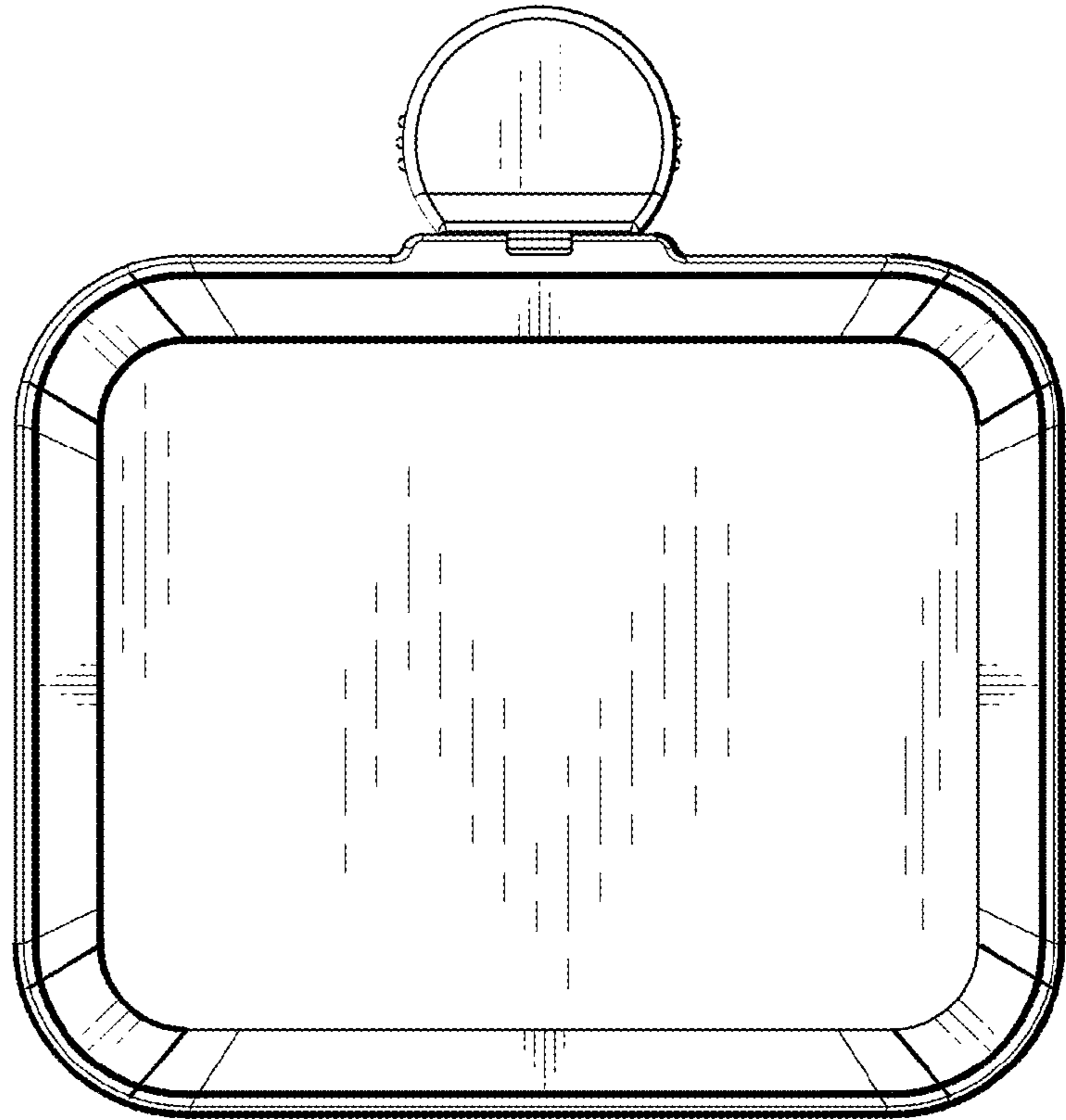


FIG. 6

