



US00D969737S

(12) **United States Design Patent**
Huang

(10) **Patent No.:** **US D969,737 S**

(45) **Date of Patent:** **** Nov. 15, 2022**

- (54) **WIRELESS CHARGER**
- (71) Applicant: **Shenzhen Waweis Technology Co., Ltd., Shenzhen (CN)**
- (72) Inventor: **Jinfeng Huang, Shenzhen (CN)**
- (73) Assignee: **Shenzhen Waweis Technology Co., Ltd., Shenzhen (CN)**
- (**) Term: **15 Years**
- (21) Appl. No.: **29/751,505**
- (22) Filed: **Sep. 22, 2020**
- (51) **LOC (13) Cl.** **13-02**
- (52) **U.S. Cl.**
USPC **D13/108**
- (58) **Field of Classification Search**
USPC D13/107-110, 118, 119, 184, 199, 151,
D13/153, 154, 155, 144, 133, 147;
D14/433
CPC Y02E 60/12; H02J 7/025; H02J 7/0042;
H02J 7/0044; H02J 7/0045; H02J 7/0003;
H02J 7/0027; H02J 7/0013; H02J 7/0054;
H02J 7/00; H02J 2001/008; H02J 3/32;
H02J 3/008; H01F 38/14; H01R 13/6675;
H01R 31/065; H01R 31/00; H01R 31/06;
H01M 2/1022; H01M 2/1055; H01M
10/44; H01M 10/46; H01M 10/425; B60L
11/182; B60L 11/1809; B60L 11/1861;
B60R 16/03
See application file for complete search history.

- (56) **References Cited**
U.S. PATENT DOCUMENTS
D813,805 S * 3/2018 Zhong D13/108
D826,851 S * 8/2018 Wang D13/108
D839,190 S * 1/2019 Xie D13/108
D852,134 S * 6/2019 Mei D13/108

- D858,437 S * 9/2019 Lu D13/108
- D881,123 S * 4/2020 Zhang D13/108
- D884,622 S * 5/2020 Huang D13/108
- D887,977 S * 6/2020 Weinstein H02J 7/0045
D13/108
- D892,046 S * 8/2020 Peng D13/108
- D904,978 S * 12/2020 Liao D13/108
- D905,042 S * 12/2020 Lim D14/434
- D911,277 S * 2/2021 Shang D13/108
- D911,278 S * 2/2021 Shang D13/108
- D913,919 S * 3/2021 Wang D13/108
- D915,276 S * 4/2021 Peng D13/108
- D915,277 S * 4/2021 Peng D13/108
- D917,386 S * 4/2021 Xu D13/108
- D918,136 S * 5/2021 Xu D13/108
- D920,239 S * 5/2021 Cheng D13/108
- D920,908 S * 6/2021 Qiu D13/108
- D926,683 S * 8/2021 Liao D14/252
- D926,685 S * 8/2021 Fan D13/108
- D927,233 S * 8/2021 Lee D6/682

(Continued)

Primary Examiner — Christy Nemeth
(74) *Attorney, Agent, or Firm* — Nitin Kaushik

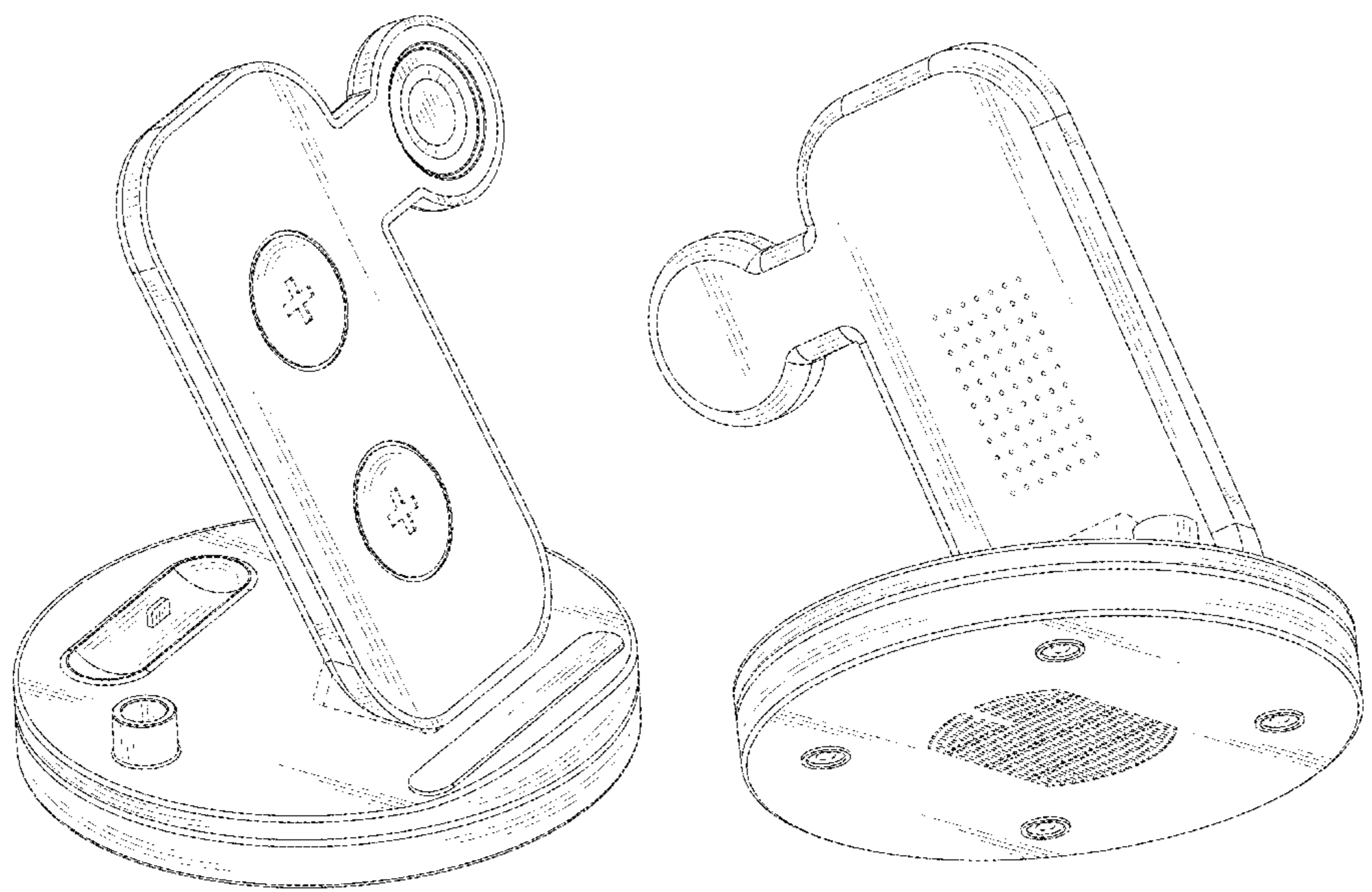
(57) **CLAIM**

The ornamental design for a wireless charger, as shown and described.

DESCRIPTION

FIG. 1 is a perspective view of a wireless charger showing my new design;
 FIG. 2 is another perspective view thereof;
 FIG. 3 is a front view thereof;
 FIG. 4 is a rear view thereof;
 FIG. 5 is a left side view thereof;
 FIG. 6 is a right side view thereof;
 FIG. 7 is a top plan view thereof; and,
 FIG. 8 is a bottom plan view thereof.
 The broken lines in the drawings are for the purpose of illustrating portions of the wireless charger that form no part of the claimed design.

1 Claim, 8 Drawing Sheets



(56)

References Cited

U.S. PATENT DOCUMENTS

D928,701	S	*	8/2021	Liao	D13/108
D928,702	S	*	8/2021	Liao	D13/108
D928,703	S	*	8/2021	Liao	D13/108
D931,208	S	*	9/2021	Liao	D14/252
D931,209	S	*	9/2021	Hahn	D13/108
D931,211	S	*	9/2021	Cheng	D13/108
D933,005	S	*	10/2021	Yarbough	D13/108
D933,594	S	*	10/2021	Zhang	D13/108
D933,598	S	*	10/2021	Zhang	D13/108
D934,794	S	*	11/2021	Brisebras	D13/108
D935,400	S	*	11/2021	Zhang	D13/108
D935,402	S	*	11/2021	Qiu	D13/108
D936,578	S	*	11/2021	Zhu	D12/425
D936,579	S	*	11/2021	Wang	D24/217
D938,434	S	*	12/2021	Lee	D14/447
D941,763	S	*	1/2022	Pena	D14/434
D942,389	S	*	2/2022	Sun	D14/447
D943,514	S	*	2/2022	May	D13/102
D943,522	S	*	2/2022	Feng	D13/108
D944,198	S	*	2/2022	Wu	D13/108
D947,123	S	*	3/2022	Dong	D13/108

* cited by examiner

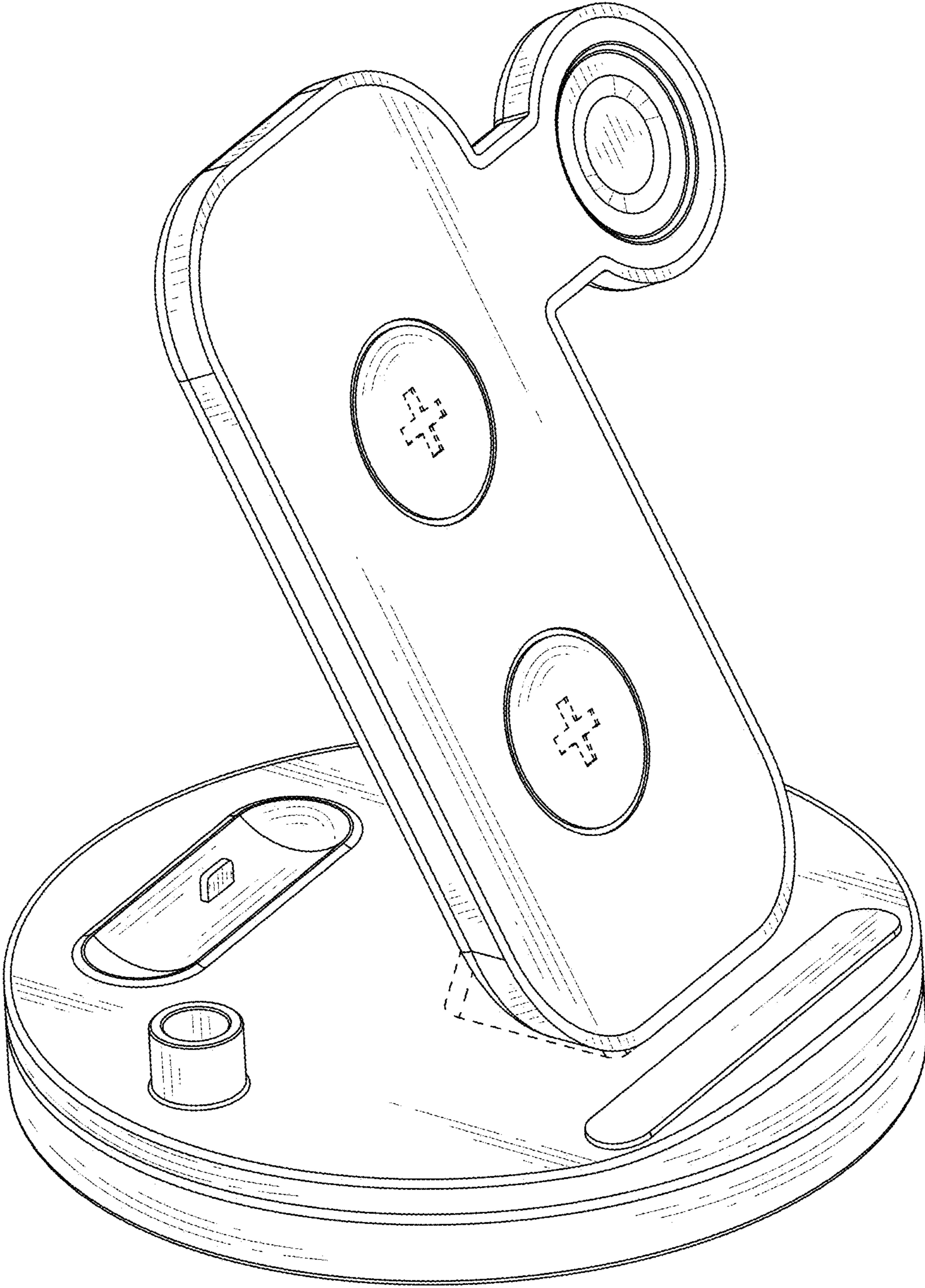


FIG. 1

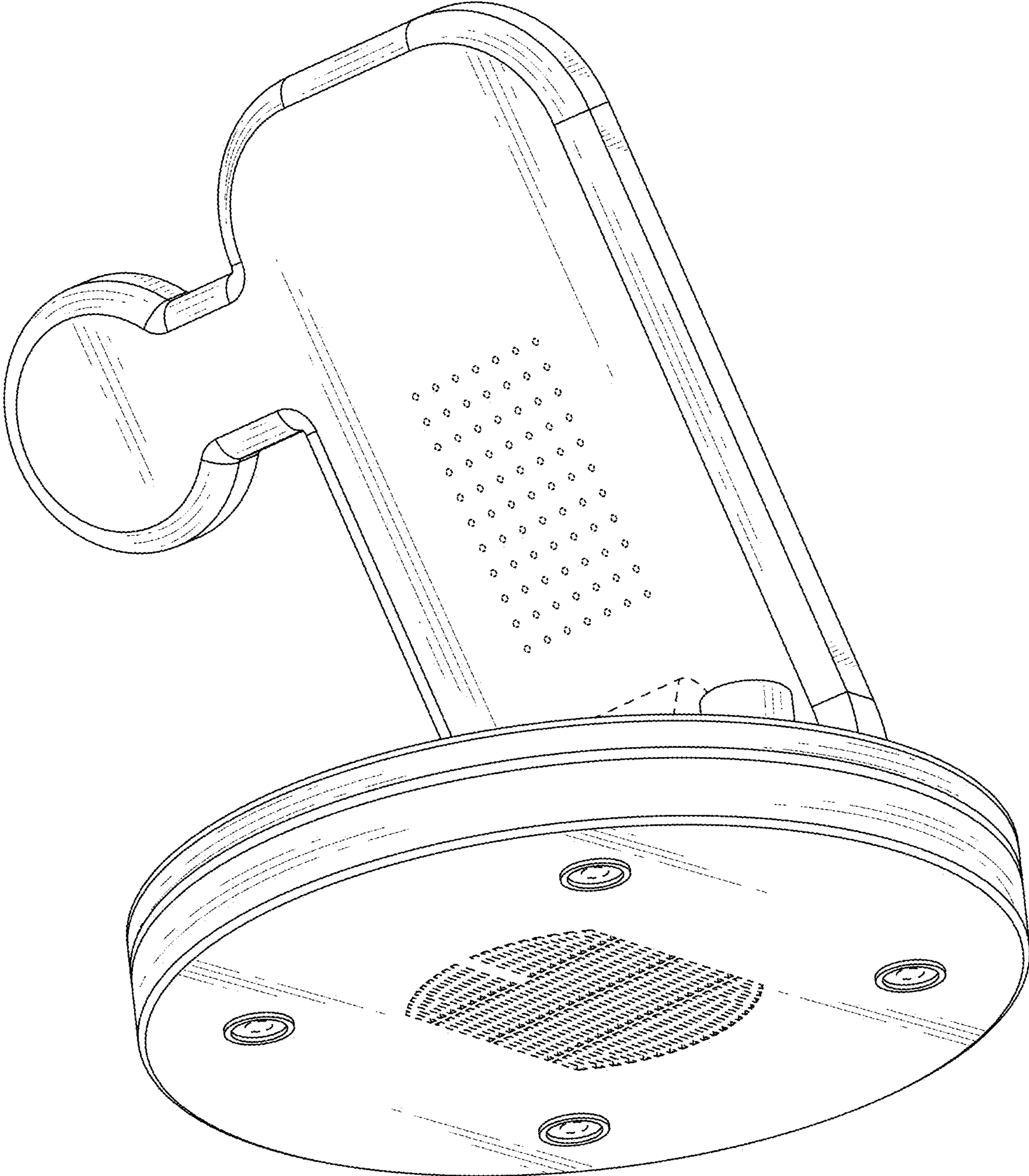


FIG. 2

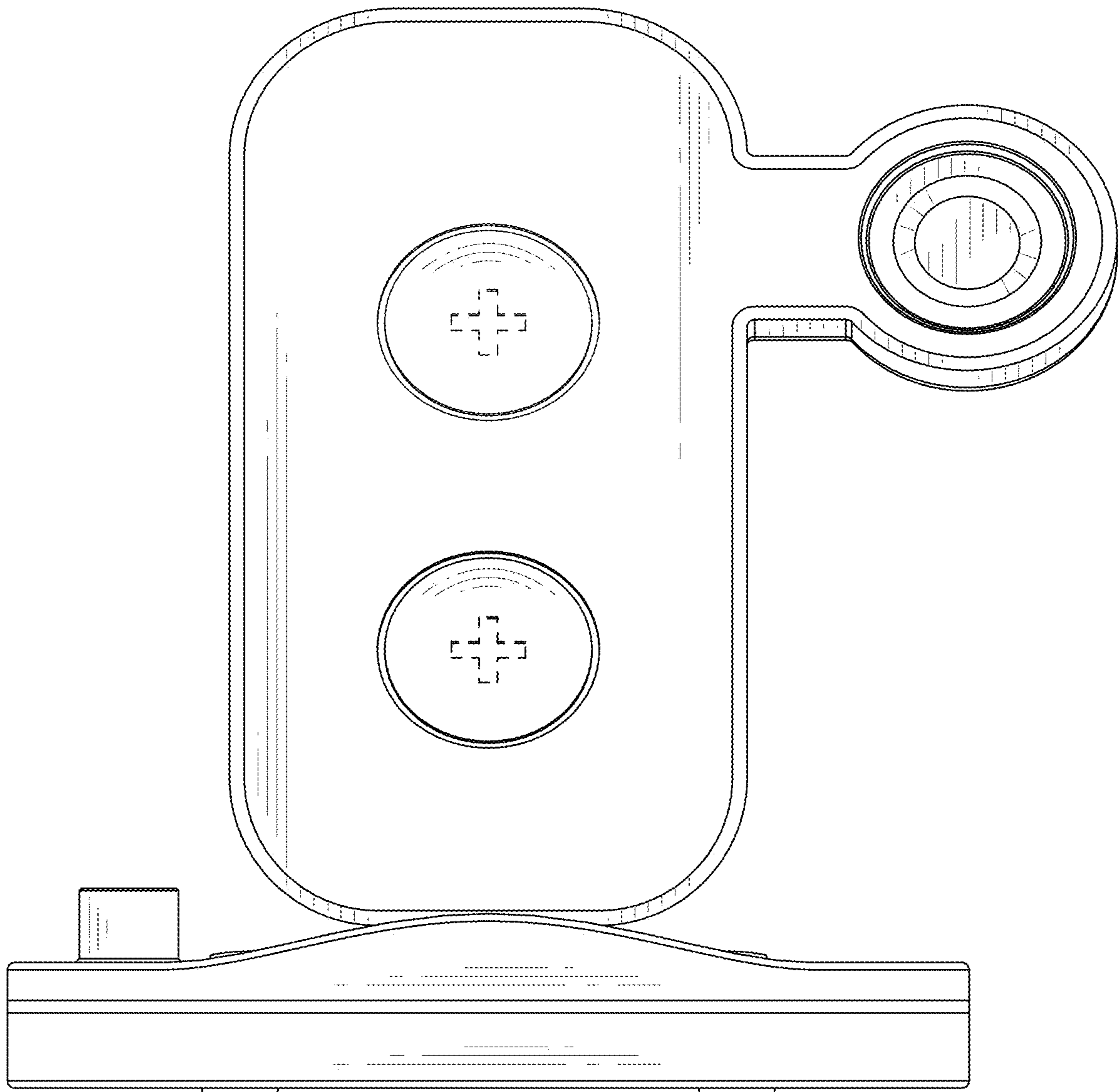


FIG. 3

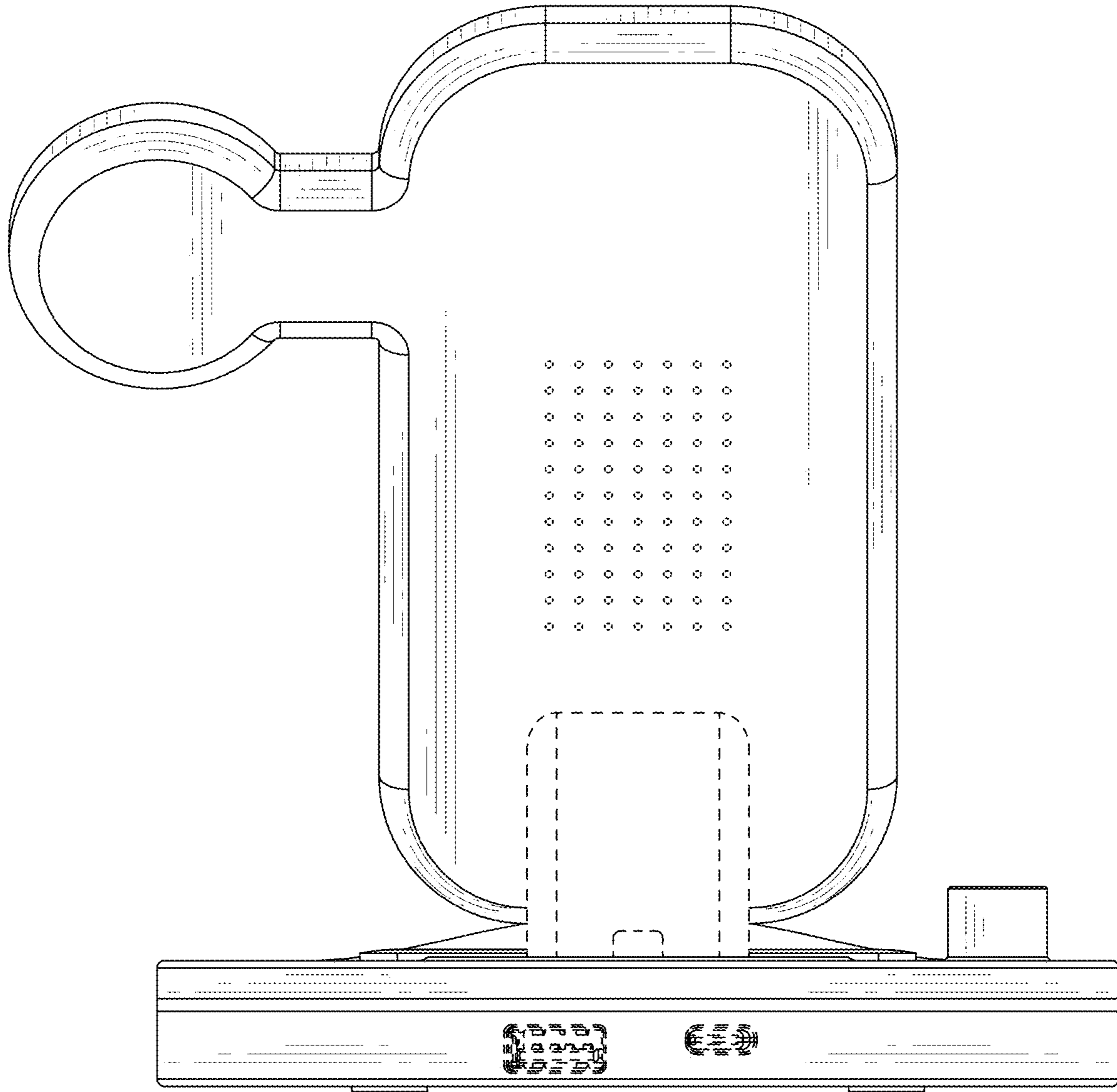


FIG.4

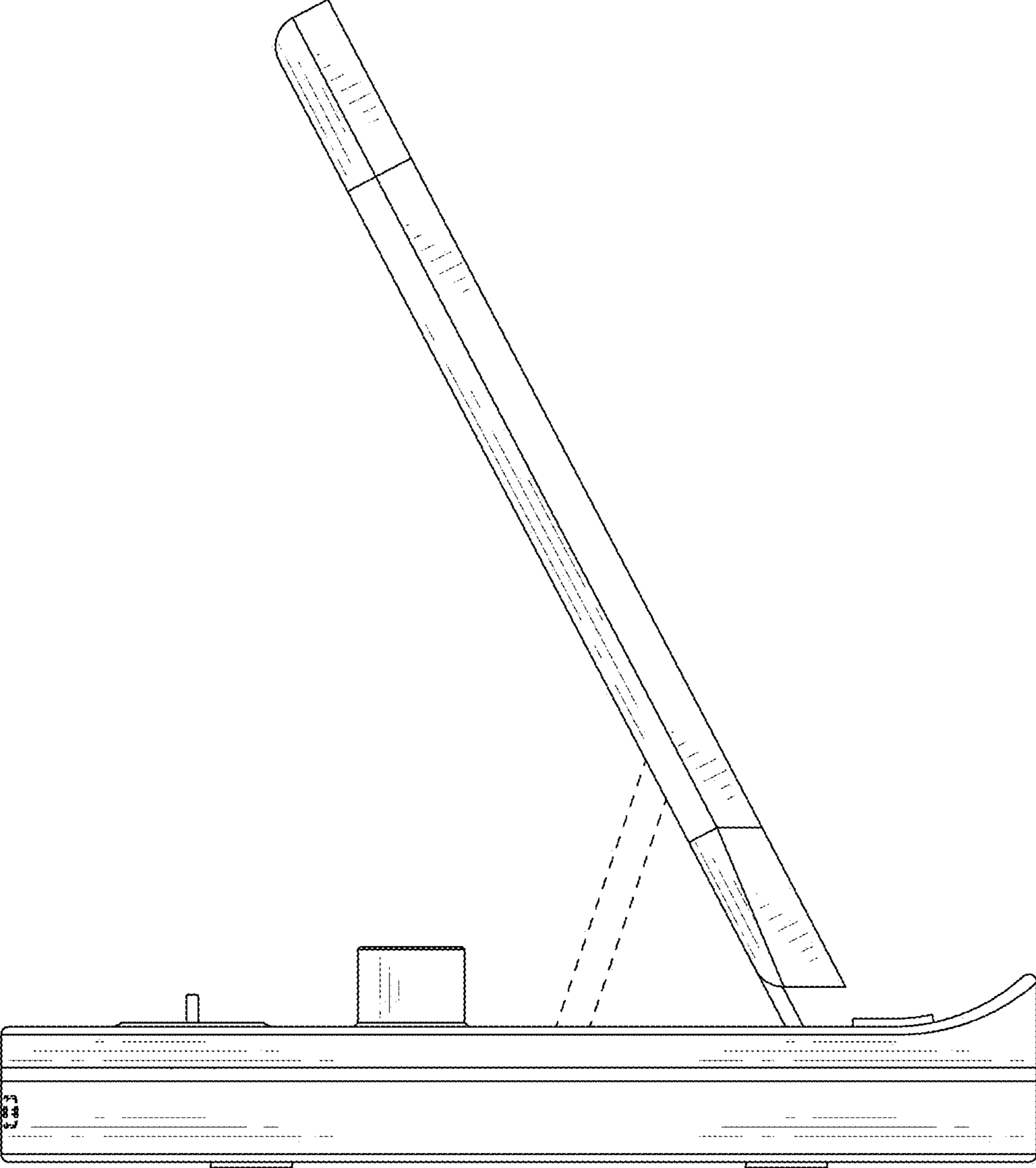


FIG. 5

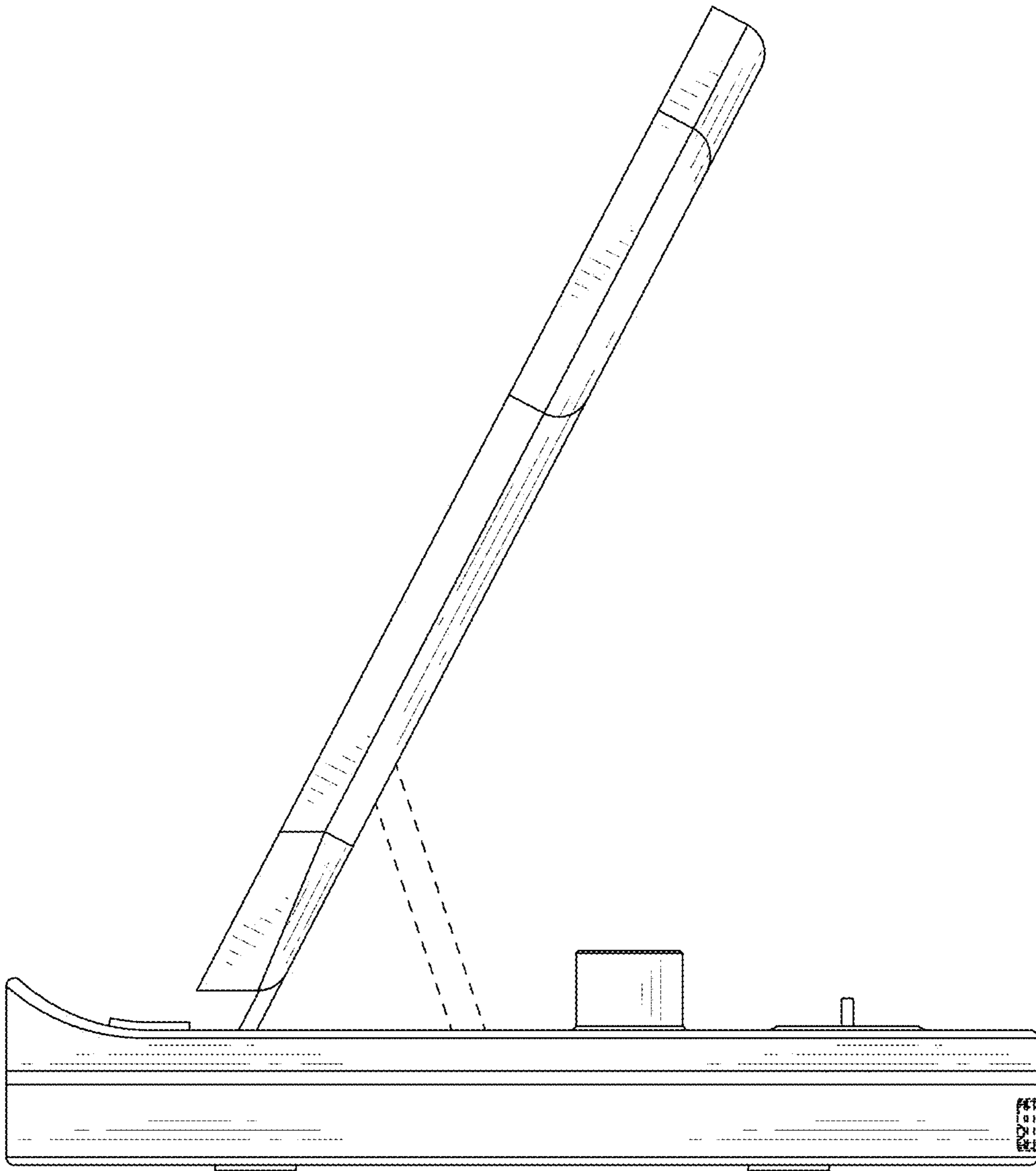


FIG. 6

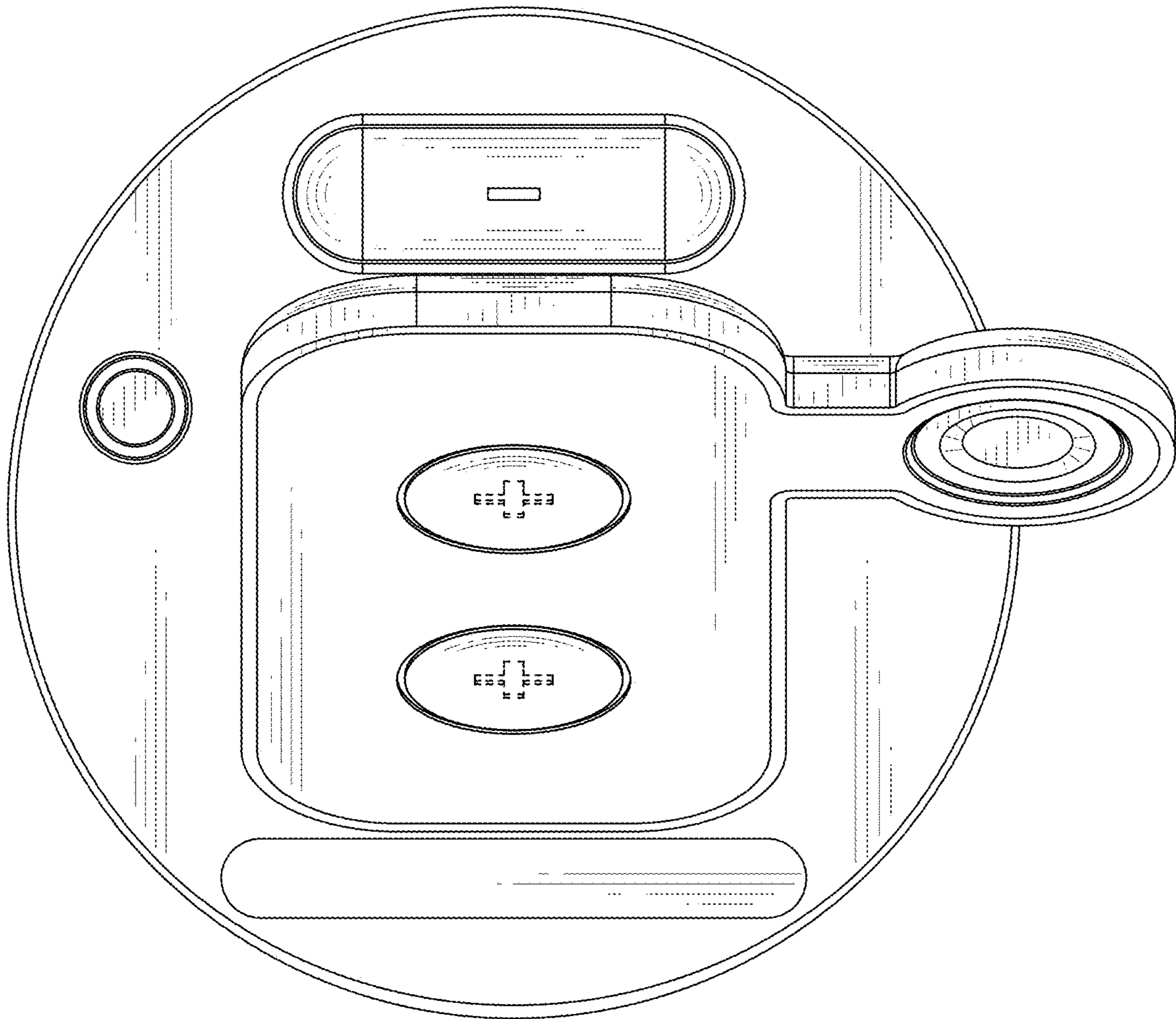


FIG.7

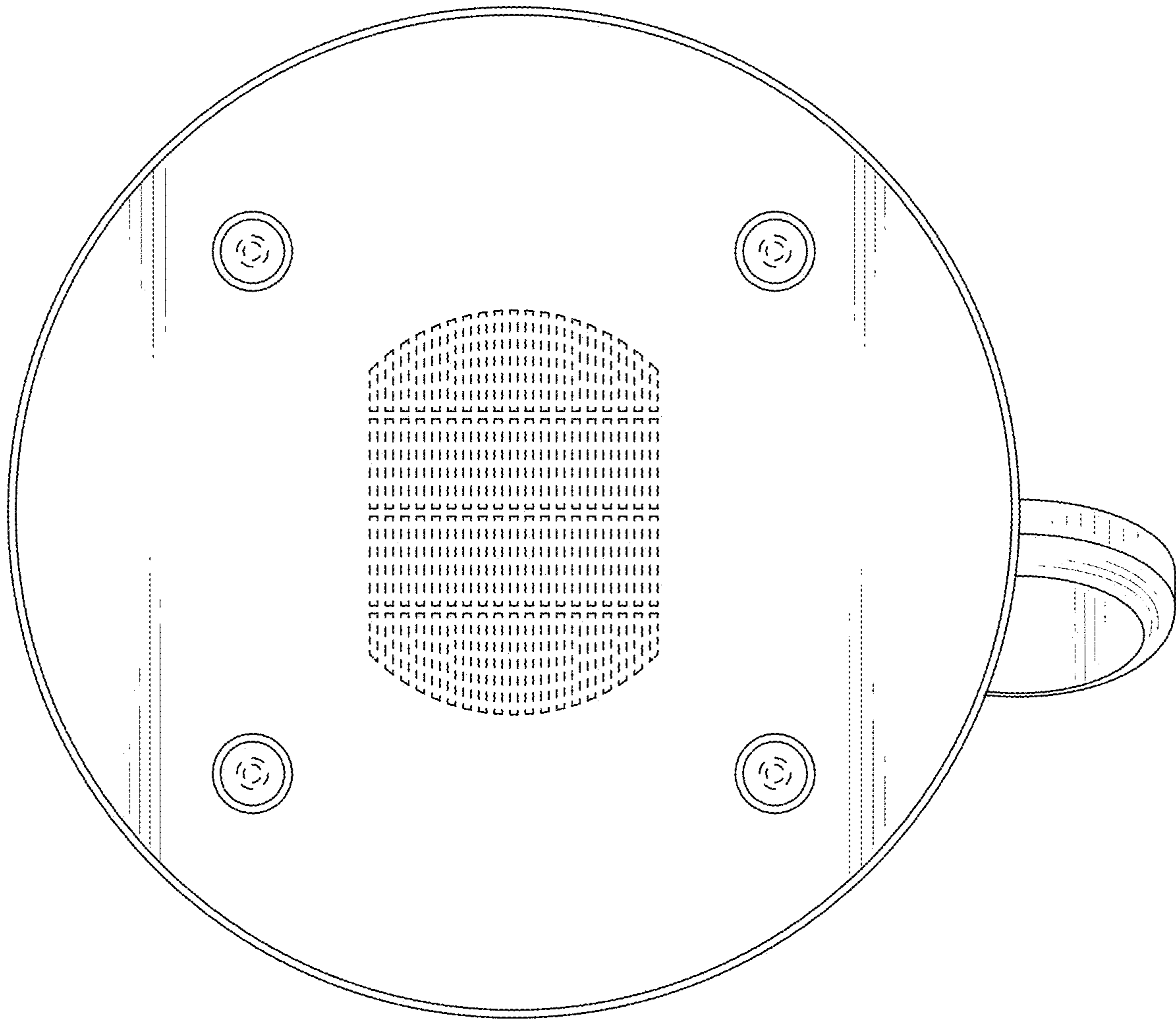


FIG.8