

US00D969735S

(12) **United States Design Patent** (10) **Patent No.:** **US D969,735 S**
Santana (45) **Date of Patent:** **** *Nov. 15, 2022**

(54) **WIRELESS CHARGING PAD**
(71) Applicant: **Daniel Santana**, Tampa, FL (US)
(72) Inventor: **Daniel Santana**, Tampa, FL (US)
(*) Notice: This patent is subject to a terminal disclaimer.
(**) Term: **15 Years**
(21) Appl. No.: **29/701,728**
(22) Filed: **Aug. 14, 2019**
(51) **LOC (13) Cl.** **13-02**
(52) **U.S. Cl.**
USPC **D13/108**
(58) **Field of Classification Search**
USPC D13/107-108, 110, 118-119, 184, 199;
D14/251, 253, 432, 434, 447
CPC .. H02J 7/025; H02J 7/005; H02J 50/00; H02J
50/10; H02J 50/12; H02J 50/80; H02J
7/02; H02J 7/0026; H02J 7/0042; H02J
7/0044; H02J 7/0045; H02J 7/0013; H02J
7/0003
See application file for complete search history.

D817,270 S * 5/2018 Kim D13/108
D835,436 S * 12/2018 Reister D6/662
D837,146 S * 1/2019 Kong D13/108
D852,738 S * 7/2019 Backett D13/108
D865,668 S * 11/2019 Roberts D13/108
(Continued)

FOREIGN PATENT DOCUMENTS

CN 205195374 U 4/2016
WO 2018026687 A1 2/2018

OTHER PUBLICATIONS

“Makuzo Valet Tray for Men—Mens Valet Tray—Dresser Organizer for Men—EDC Dump Tray—Nightstand Organizer Tray—Men’s Organizer Station—Men’s Gifts”, Amazon.com, first available on Jul. 23, 2019. Retrieved from the internet: (Year: 2019) <<https://www.amazon.com/Makuzo-Organizer-nightstand-Charging-compartments/dp/B07VWXHS7S/>>.*

Primary Examiner — Rosemary K Tarcza
(74) Attorney, Agent, or Firm — Boudwin Intellectual Property; Daniel Boudwin

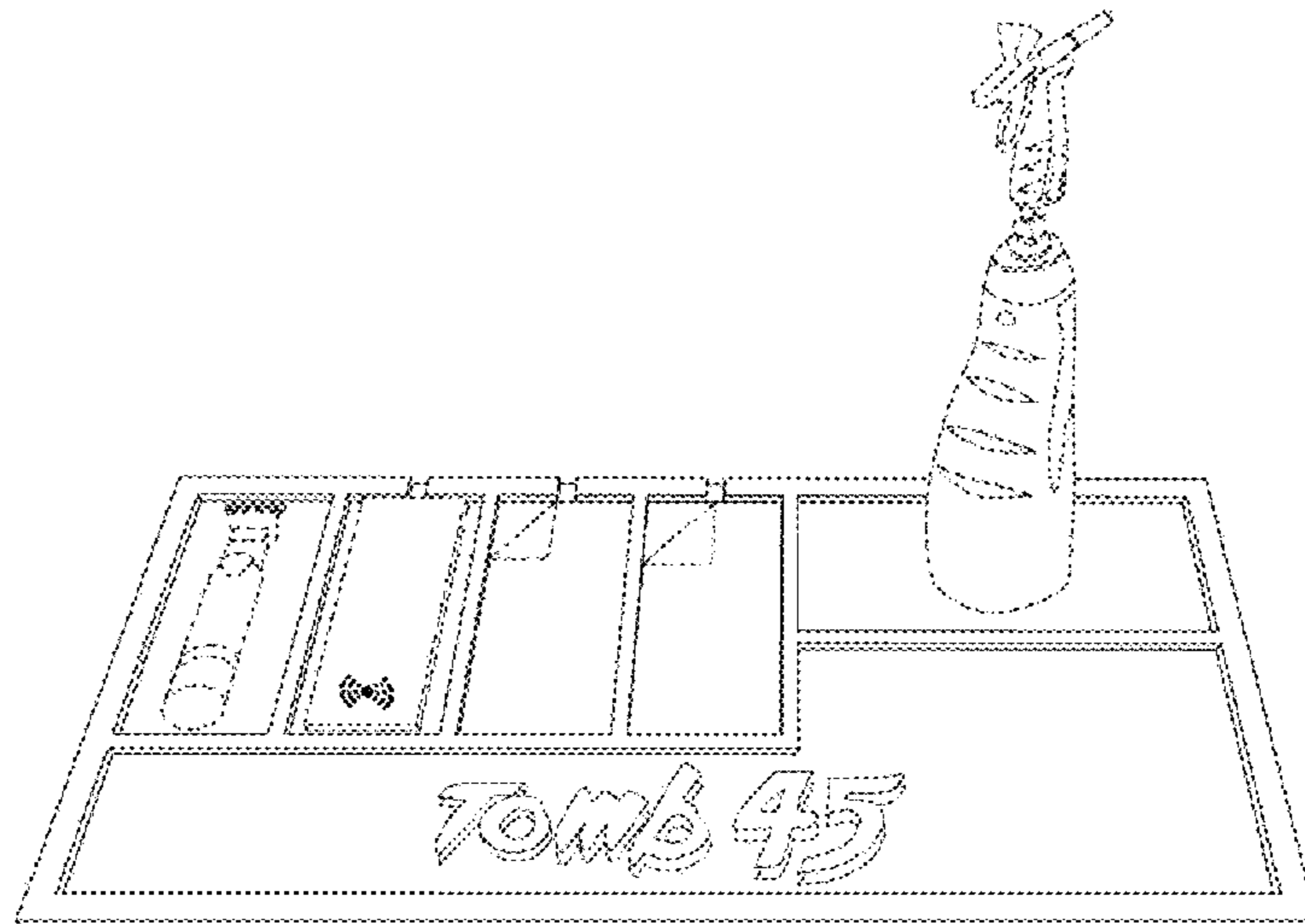
(57) **CLAIM**
The ornamental design for a wireless charging pad, as shown and described.

(56) **References Cited**
U.S. PATENT DOCUMENTS
D499,574 S * 12/2004 Spicer D6/406.3
D599,736 S * 9/2009 Ferber D13/108
D621,780 S * 8/2010 Ferber D13/108
D623,133 S * 9/2010 Nomi D13/108
D630,163 S * 1/2011 Yeh D13/108
D636,724 S * 4/2011 Nomi D13/108
D656,097 S * 3/2012 Nomi D13/108
D687,376 S * 8/2013 Farris-Gilbert D3/301
D692,375 S * 10/2013 Mamane D13/108
D719,506 S * 12/2014 Jung D13/108
D727,259 S * 4/2015 Hwang D13/108
D729,163 S * 5/2015 Meyer D13/107
D765,597 S * 9/2016 Kim D13/108
D788,034 S * 5/2017 Gschwandtl D13/108
D812,556 S * 3/2018 Xu D13/103
D815,593 S * 4/2018 Alves D13/103

DESCRIPTION

FIG. 1 is a front perspective view of a wireless charging pad, showing my new design.
FIG. 2 is a front perspective view thereof.
FIG. 3 is a front elevation view thereof.
FIG. 4 is a rear elevation view thereof.
FIG. 5 is a left side elevation view thereof.
FIG. 6 is a right side elevation view thereof.
FIG. 7 is a top plan view thereof; and,
FIG. 8 is a bottom plan view thereof.
The broken lines shown in the drawings illustrate portions of the wireless charging pad that form no part of the claimed design.

1 Claim, 8 Drawing Sheets



(56)

References Cited

U.S. PATENT DOCUMENTS

| | | | | | | |
|--------------|-----|---|---------|-------------------|-------|-----------------------|
| D872,690 | S | * | 1/2020 | Williams | | D13/108 |
| D878,290 | S | * | 3/2020 | Lee | | D13/108 |
| D884,625 | S | * | 5/2020 | Li | | D13/108 |
| D886,059 | S | * | 6/2020 | Hu | | D13/108 |
| D894,191 | S | * | 8/2020 | Turksu | | D14/434 |
| D917,387 | S | * | 4/2021 | Ludwig | | D13/108 |
| D922,800 | S | * | 6/2021 | Reister | | D6/662 |
| D922,801 | S | * | 6/2021 | Reister | | D6/662 |
| D923,978 | S | * | 7/2021 | Reister | | D6/662 |
| D936,575 | S | * | 11/2021 | Feng | | D13/108 |
| D952,559 | S | * | 5/2022 | Chen | | D13/108 |
| D952,562 | S | * | 5/2022 | Akana | | D13/119 |
| D957,326 | S | * | 7/2022 | Turksu | | D13/108 |
| 2012/0091950 | A1 | | 4/2012 | Campanella et al. | | |
| 2015/0157112 | A1 | | 6/2015 | Daibes | | |
| 2015/0314462 | A1 | | 11/2015 | Roman | | |
| 2016/0036261 | A1* | | 2/2016 | Lenive | | H02J 50/10 320/108 |
| 2018/0041058 | A1 | | 2/2018 | Goldberg | | |

* cited by examiner

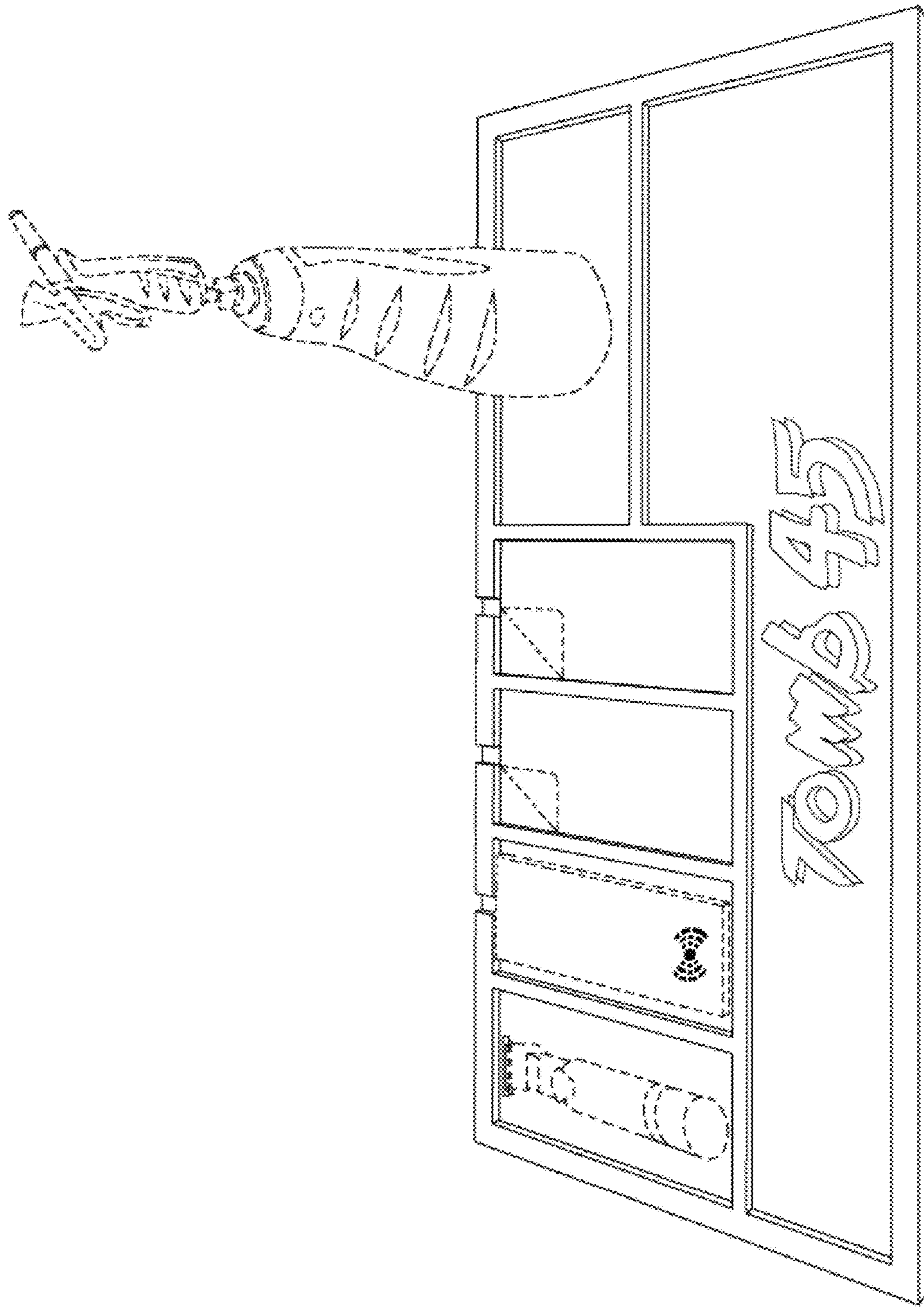


FIG.1

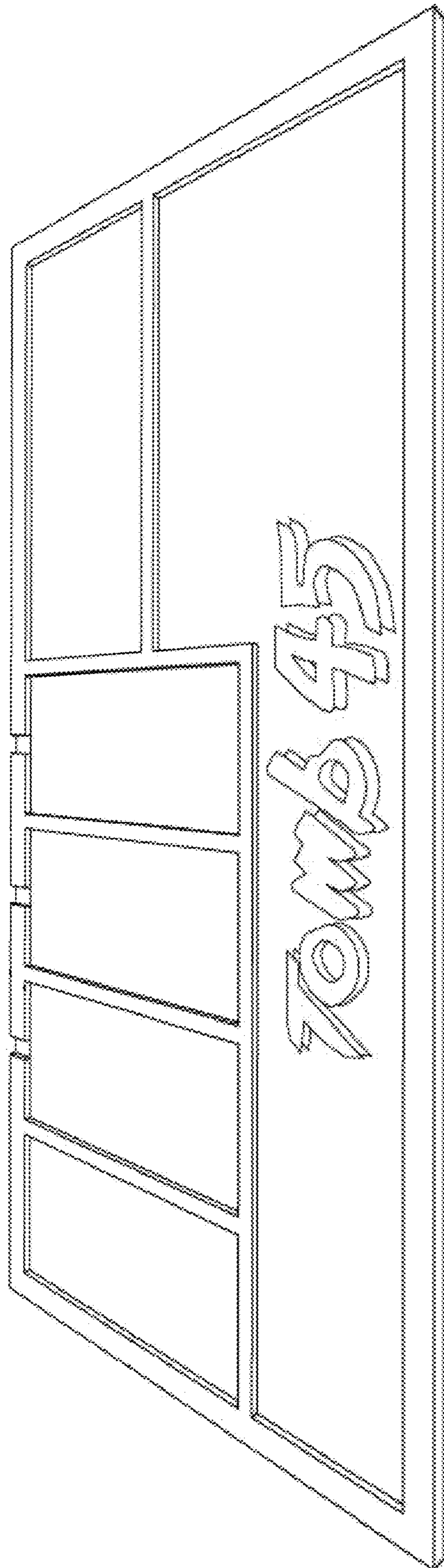


FIG.2



FIG.3



FIG.4



FIG.5



FIG.6

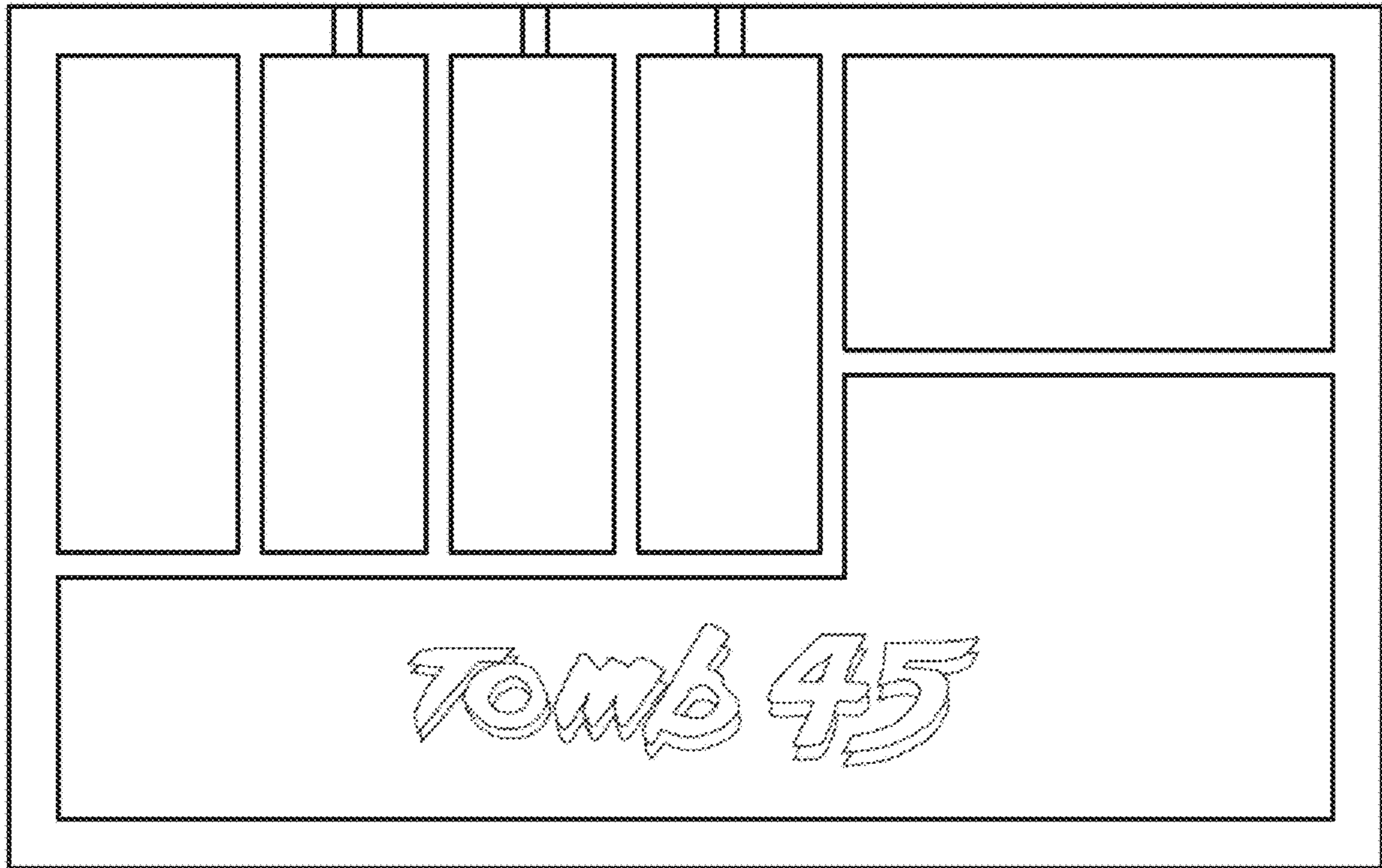


FIG.7



FIG.8