



US00D969725S

(12) **United States Design Patent** (10) **Patent No.:** **US D969,725 S**
Fry (45) **Date of Patent:** **** Nov. 15, 2022**

(54) **VEHICLE MOUNTING PLATE FOR A MOBILE DEVICE**

(71) Applicant: **F&V Corporation**, North Royalton, OH (US)

(72) Inventor: **Ryan Alan Lally Fry**, Perrysburg, OH (US)

(73) Assignee: **F&V Corporation**, North Royalton, OH (US)

(**) Term: **15 Years**

(21) Appl. No.: **29/774,863**

(22) Filed: **Mar. 19, 2021**

(51) **LOC (13) Cl.** **12-16**

(52) **U.S. Cl.**
USPC **D12/415**

(58) **Field of Classification Search**
USPC D6/574, 567; D8/354, 373, 382, 349; D12/177, 415; D13/108; D14/224, 447
CPC F16B 5/00; F16B 5/02; H01R 13/6675; H01R 13/73
See application file for complete search history.

(56) **References Cited**

U.S. PATENT DOCUMENTS

D279,630 S *	7/1985	Bart	D6/567
D590,404 S *	4/2009	Kim	D14/447
D688,201 S *	8/2013	Mecca	D13/108
D735,170 S *	7/2015	Colvin	D14/224
D826,029 S *	8/2018	Granberg	D8/349

D853,377 S *	7/2019	Crandon	D8/349
D857,610 S *	8/2019	Meldrum	D12/415
D907,024 S *	1/2021	Ji	D8/382
D908,471 S *	1/2021	Cronkhite	D8/354
D916,521 S *	4/2021	Cao	D6/574
D921,477 S *	6/2021	O'Halloran	D8/373
D923,542 S *	6/2021	Zonza, Jr.	D12/177
D945,857 S *	3/2022	Smith	D8/354
D948,991 S *	4/2022	Stoops	D8/354

* cited by examiner

Primary Examiner — Susan E Krakower

Assistant Examiner — Jerry Shiuan-Hua Hsu

(74) *Attorney, Agent, or Firm* — Marshall & Melhorn, LLC

(57) **CLAIM**

The ornamental design for a vehicle mounting plate for a mobile device, as shown and described.

DESCRIPTION

FIG. 1 is a top, rear, right side perspective view of a vehicle mounting plate for a mobile device, showing my new design;

FIG. 2 is a bottom, front, right side perspective view thereof;

FIG. 3 is a bottom view thereof;

FIG. 4 is a top view thereof;

FIG. 5 is a front view thereof;

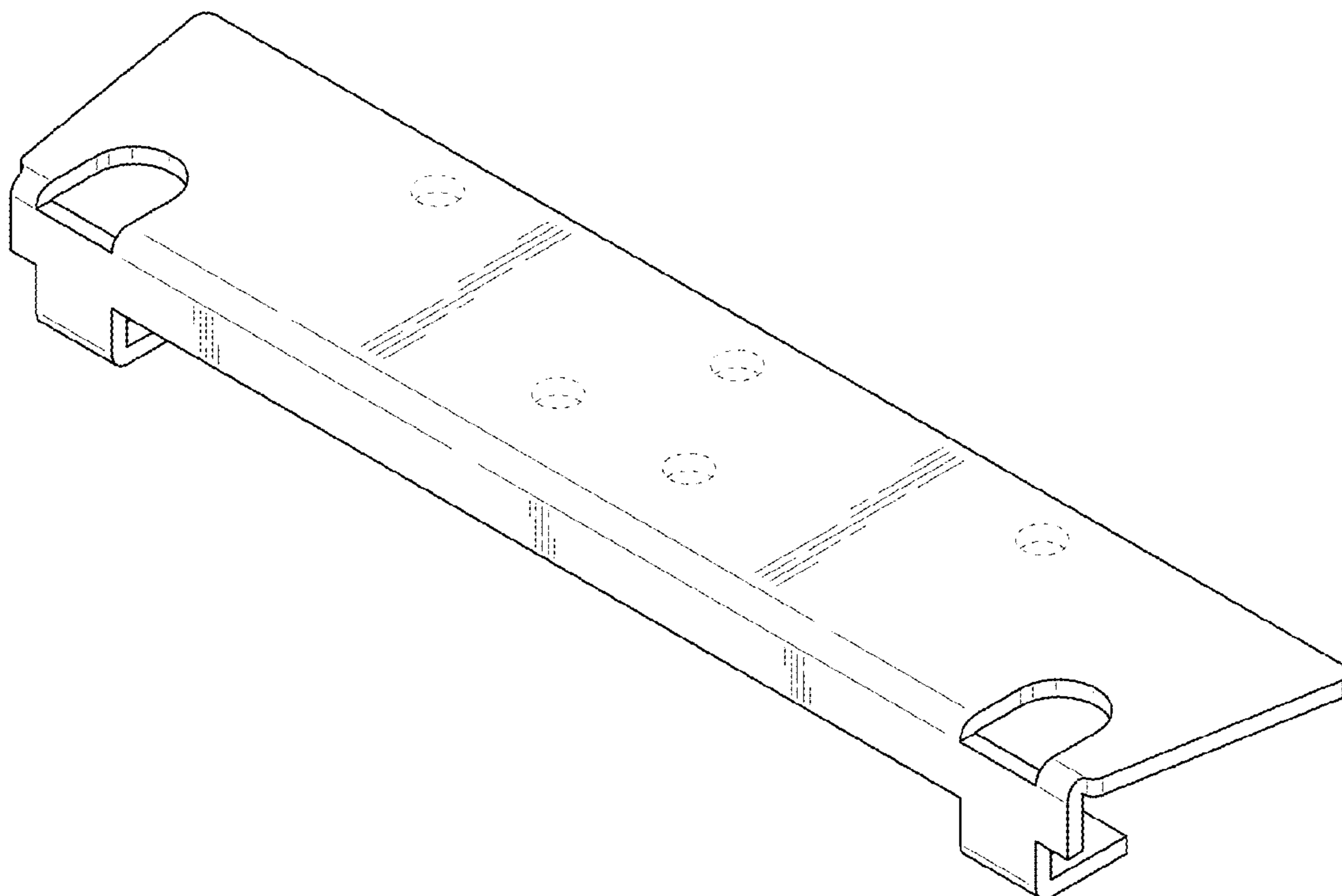
FIG. 6 is a rear view thereof; and,

FIG. 7 is a right side view thereof.

The left side view is a mirror image of the right side view.

The broken lines in the drawings are included to show portions of the vehicle mounting plate for a mobile devices that form no part of the claimed design.

1 Claim, 3 Drawing Sheets



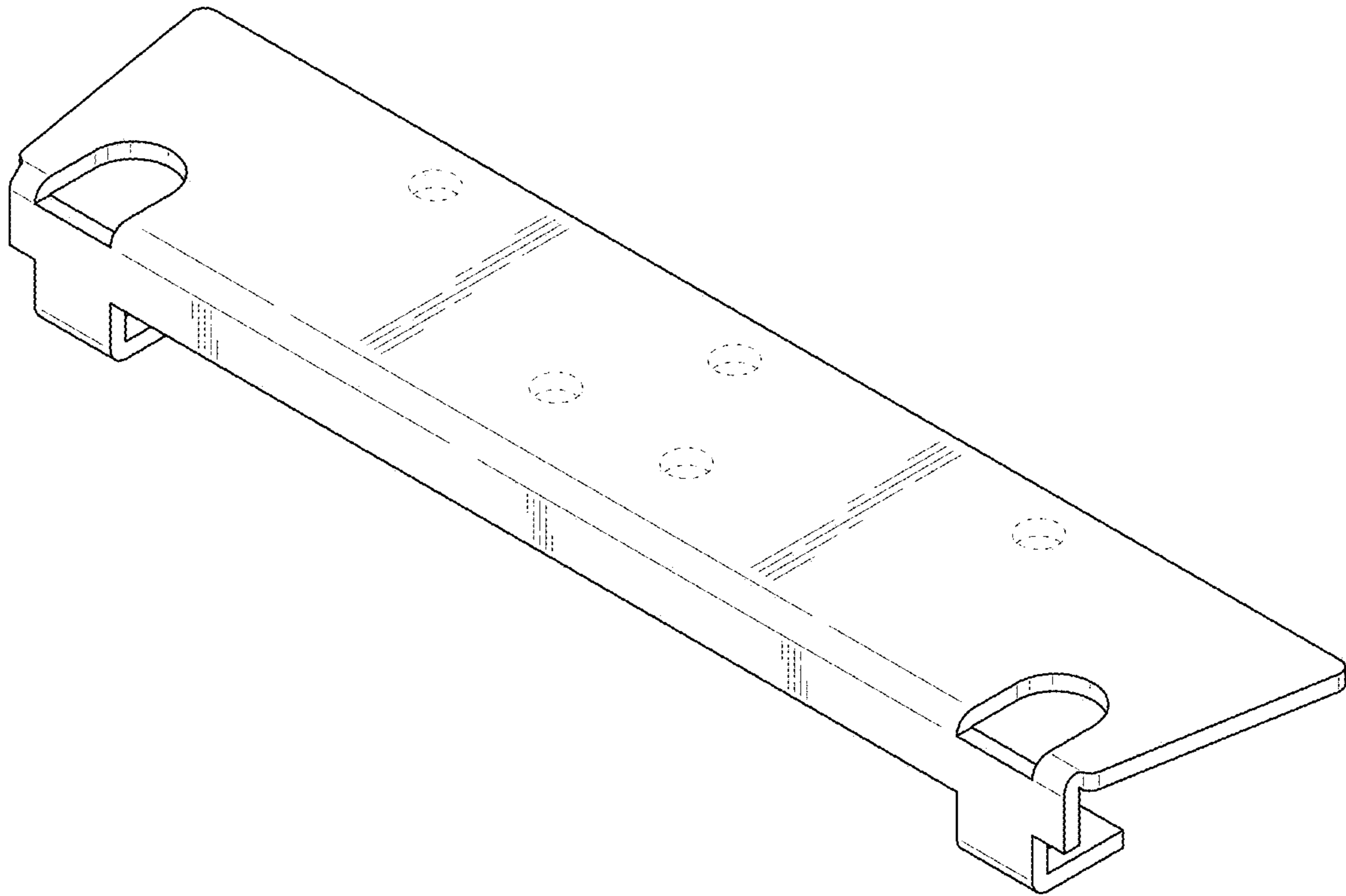


FIG. 1

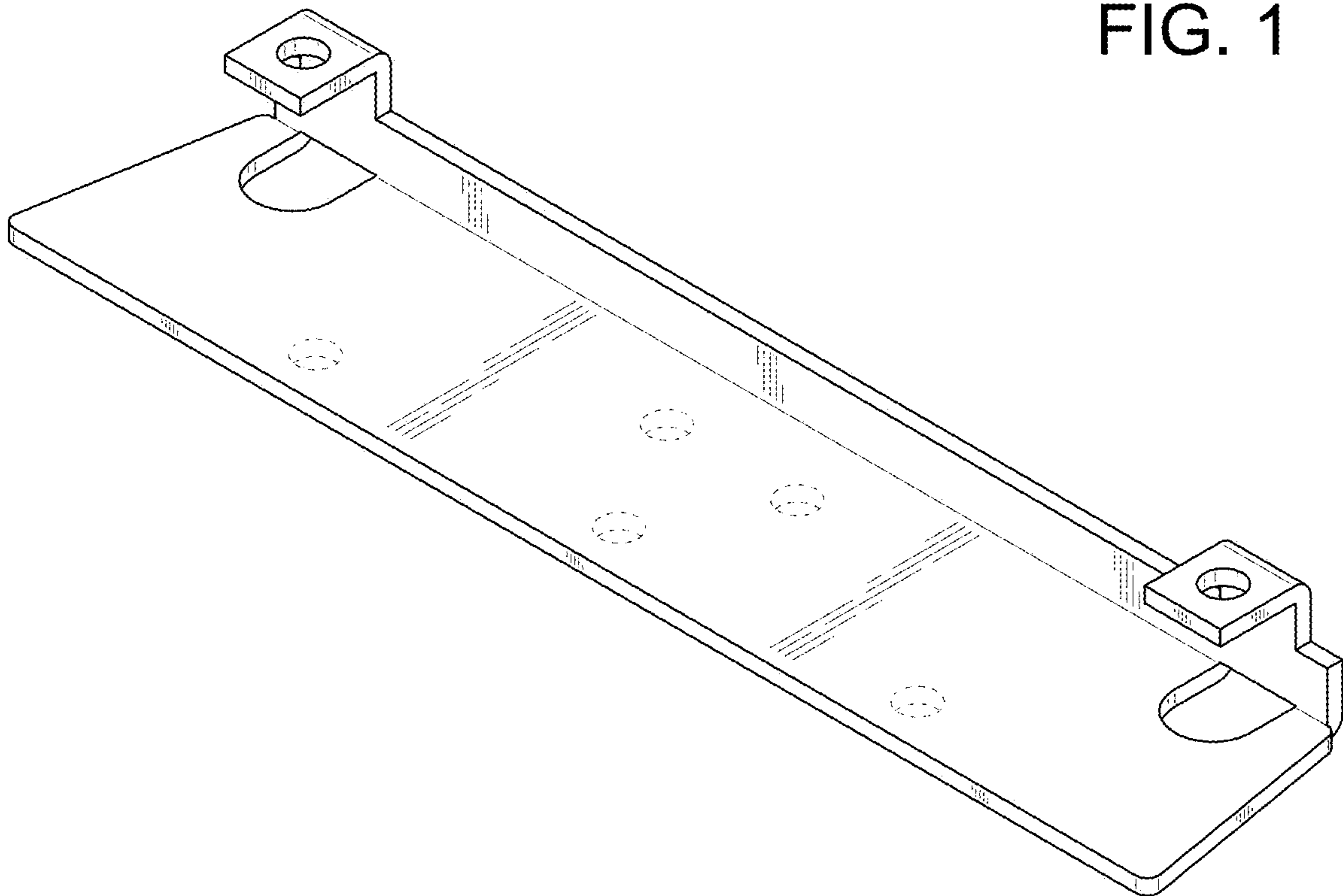


FIG. 2

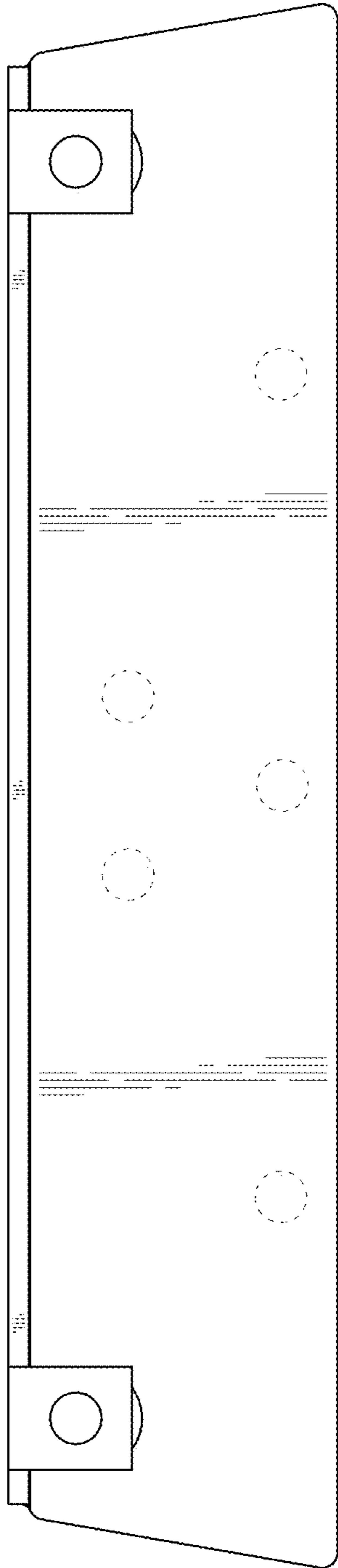


FIG. 3

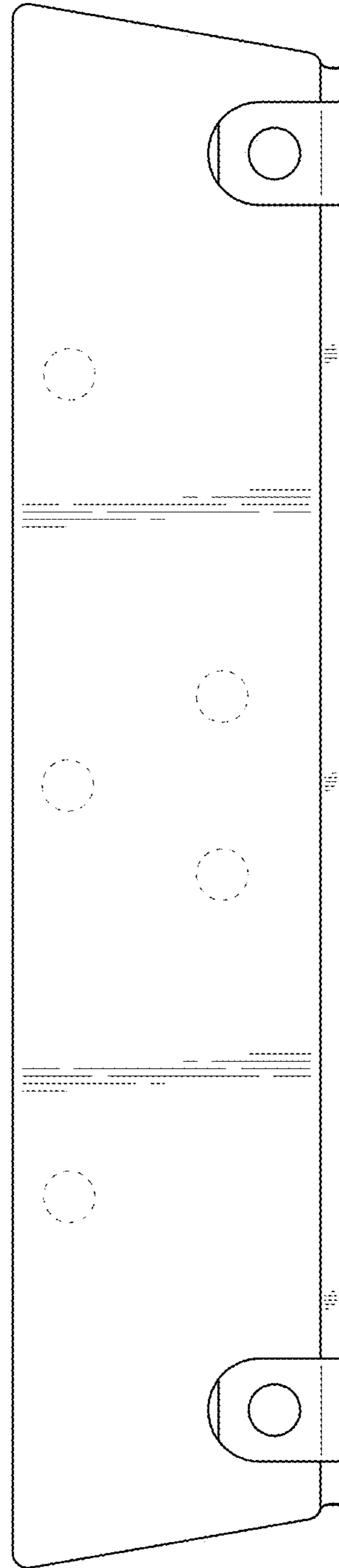


FIG. 4

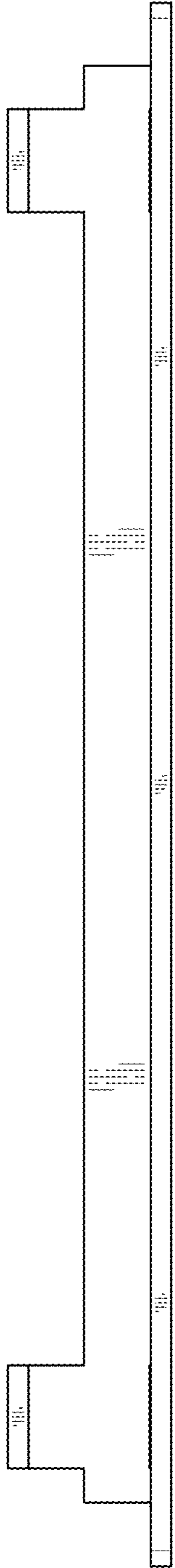


FIG. 5

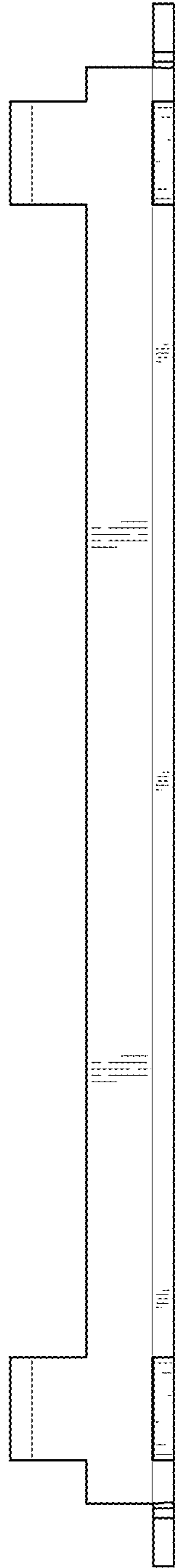


FIG. 6

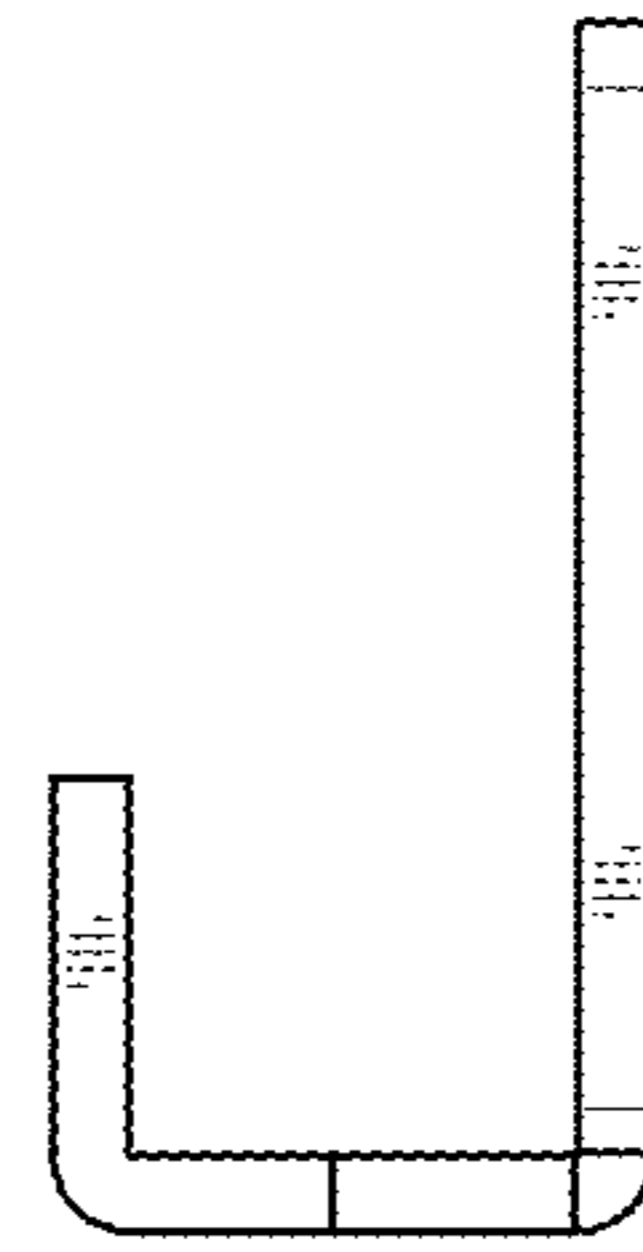


FIG. 7