

US00D969723S

(12) **United States Design Patent** (10) **Patent No.:** **US D969,723 S**
Andreasson (45) **Date of Patent:** **** Nov. 15, 2022**

(54) **RACK FOOT**
(71) Applicant: **Thule Sweden AB**, Hillerstorp (SE)
(72) Inventor: **Jimmy Andreasson**, Jönköping (SE)
(73) Assignee: **Thule Sweden AB**, Hillerstorp (SE)
(**) Term: **15 Years**
(21) Appl. No.: **29/777,612**
(22) Filed: **Apr. 7, 2021**
(51) **LOC (13) Cl.** **12-16**
(52) **U.S. Cl.**
USPC **D12/412**
(58) **Field of Classification Search**
USPC D12/406-414; D3/35; D6/317-319,
D6/513-514; D32/58
CPC B62J 9/003; B62J 7/06; B62J 9/001
See application file for complete search history.

D895,529 S * 9/2020 Chang D12/412
D895,530 S * 9/2020 Lathrop D12/412
D906,225 S * 12/2020 Eriksson D12/412
D908,072 S * 1/2021 Connellan D12/412
D919,550 S * 5/2021 Teng D12/412
D921,567 S * 6/2021 Pearce D12/412
D921,568 S * 6/2021 Xia D12/412
D929,930 S * 9/2021 Park D12/406
D940,631 S * 1/2022 Gangappa D12/412

* cited by examiner

Primary Examiner — Katrina A Betton
(74) *Attorney, Agent, or Firm* — Sterne, Kessler,
Goldstein & Fox P.L.L.C.

(57) **CLAIM**

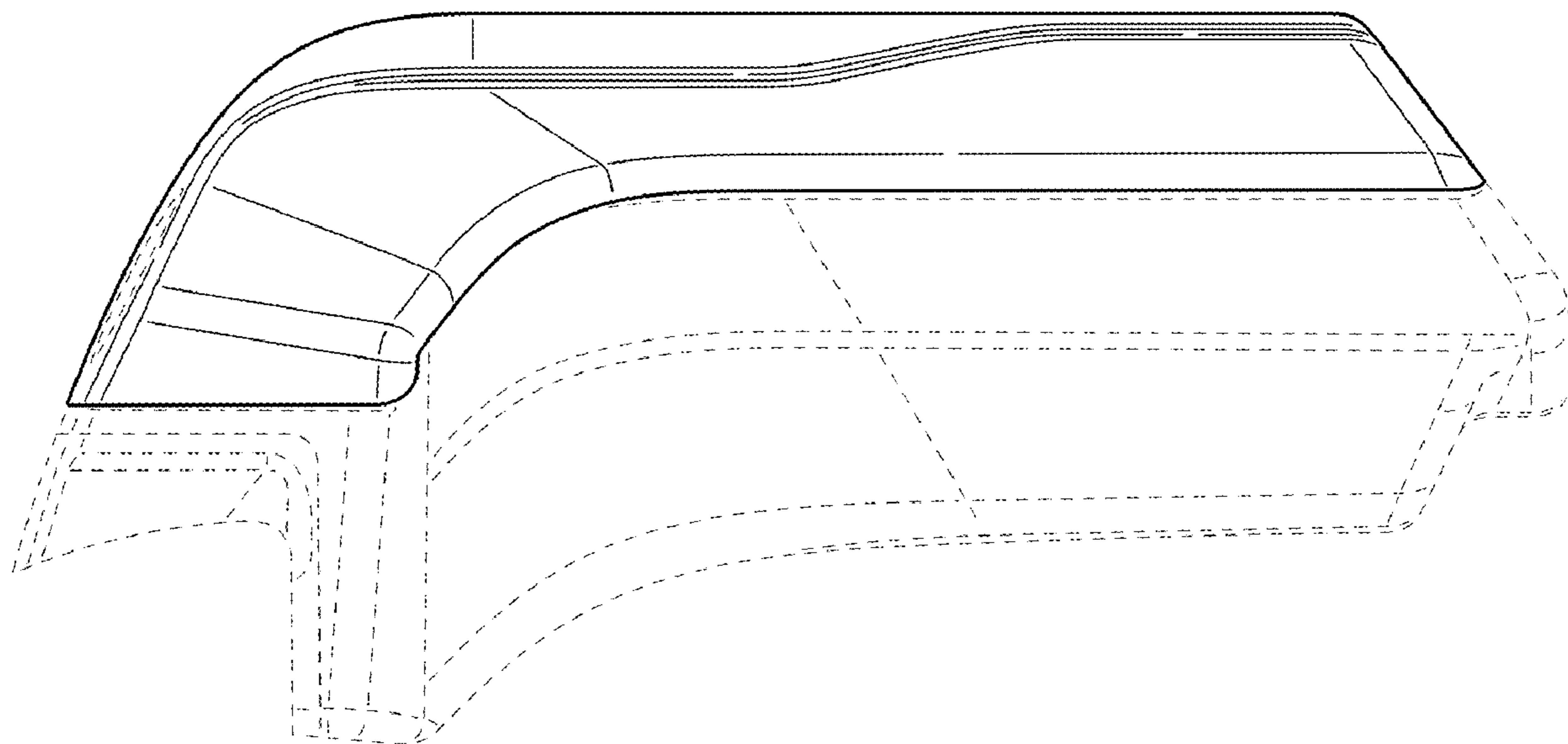
The ornamental design for a rack foot, as shown and described.

DESCRIPTION

FIG. 1 is a top front perspective view of a rack foot showing the claimed design;
FIG. 2 is a front view thereof;
FIG. 3 is a rear view thereof;
FIG. 4 is a right side view thereof;
FIG. 5 is a left side view thereof;
FIG. 6 is a top view thereof;
FIG. 7 is a bottom view thereof; and,
FIG. 8 is a bottom rear perspective view thereof.
The broken lines in the figures show portions of the rack foot that form no part of the claimed design.

1 Claim, 8 Drawing Sheets

(56) **References Cited**
U.S. PATENT DOCUMENTS
D694,170 S 11/2013 Eriksson
D695,206 S 12/2013 Eriksson
D709,818 S * 7/2014 Zhang D12/412
D792,833 S * 7/2017 Chan D12/412
10,384,587 B2 * 8/2019 Flaherty B60P 3/1008
D867,262 S 11/2019 Eriksson et al.
D879,012 S * 3/2020 Guo D12/412
D885,304 S 5/2020 Eriksson et al.



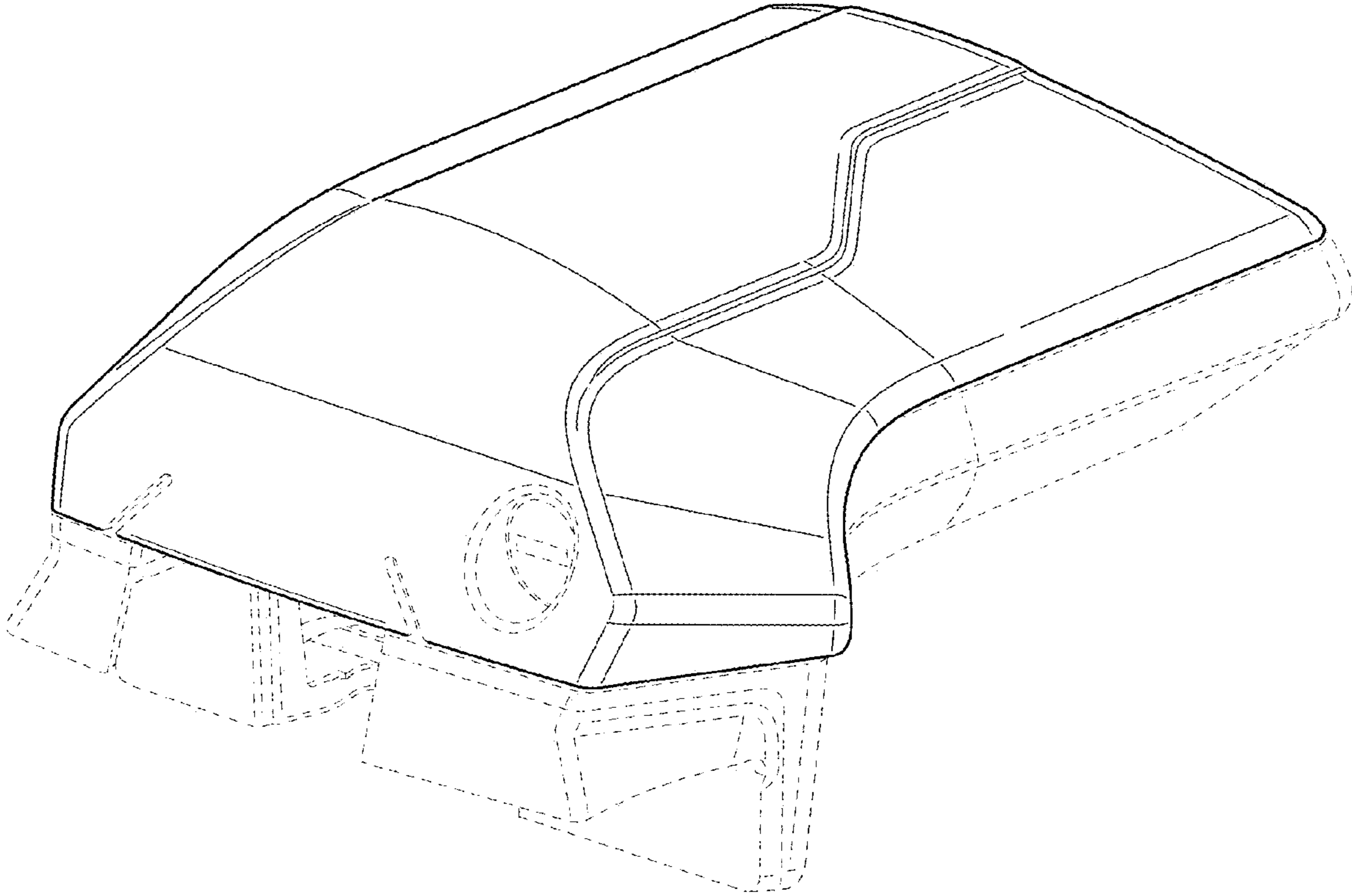


FIG. 1

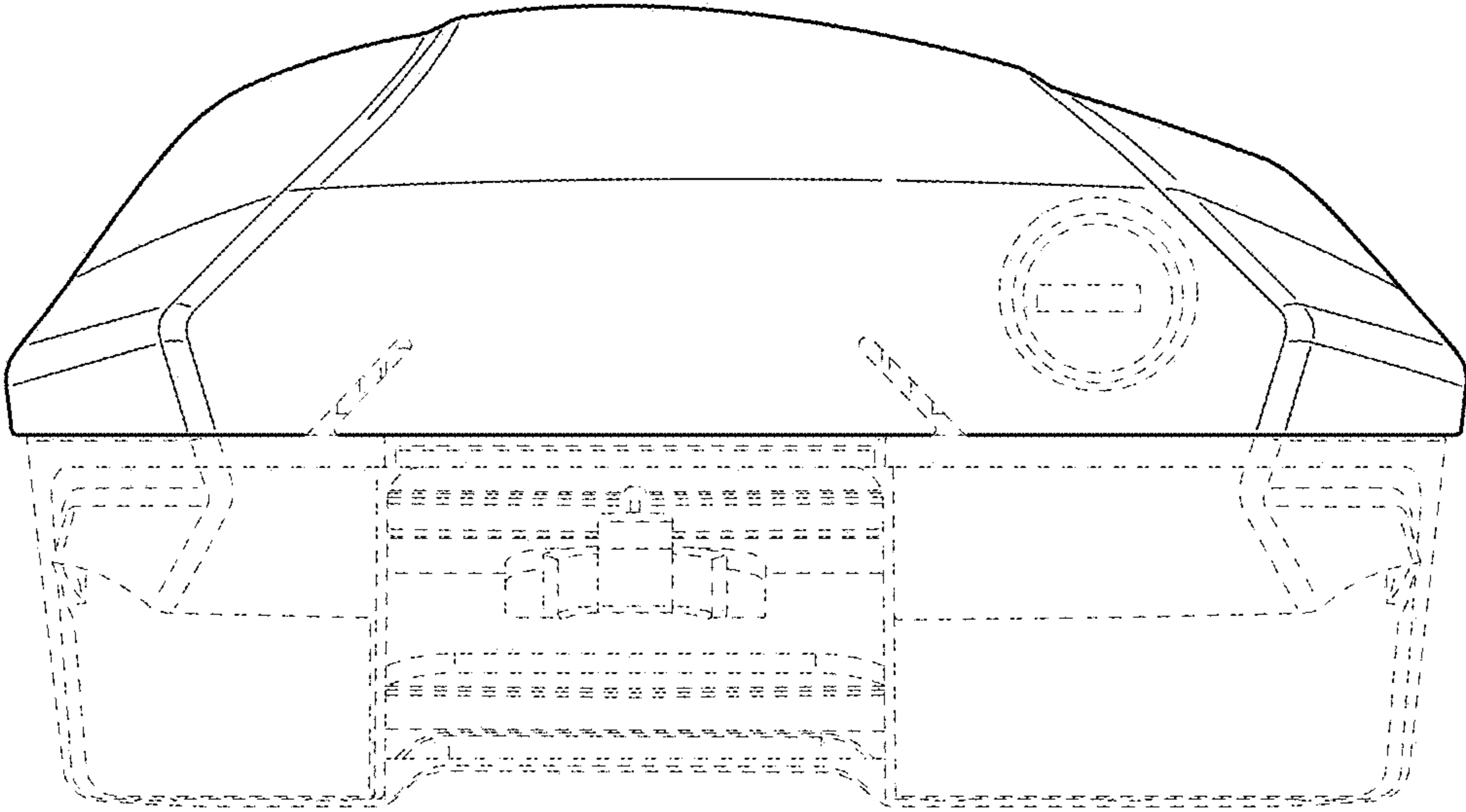


FIG. 2

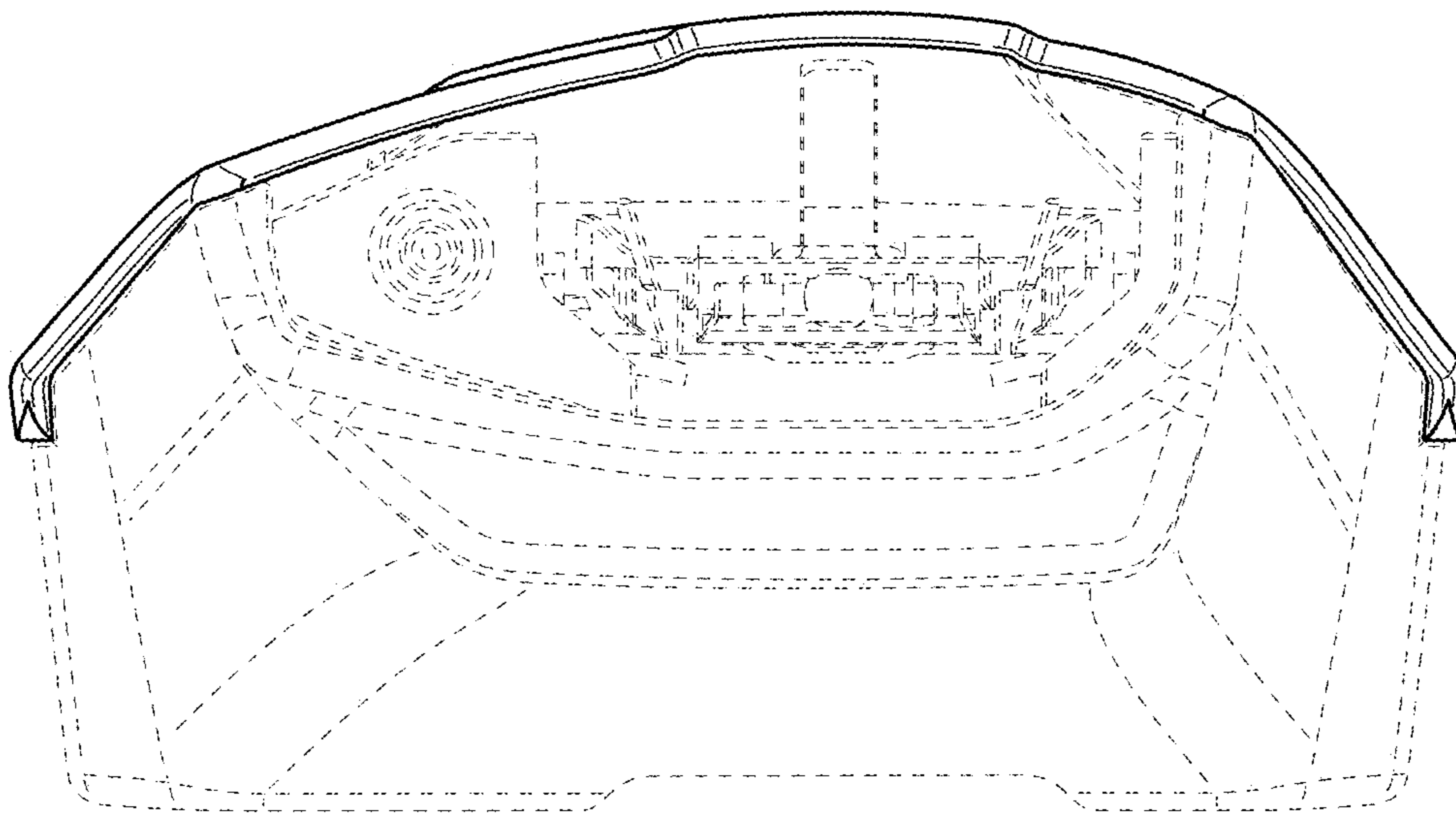


FIG. 3

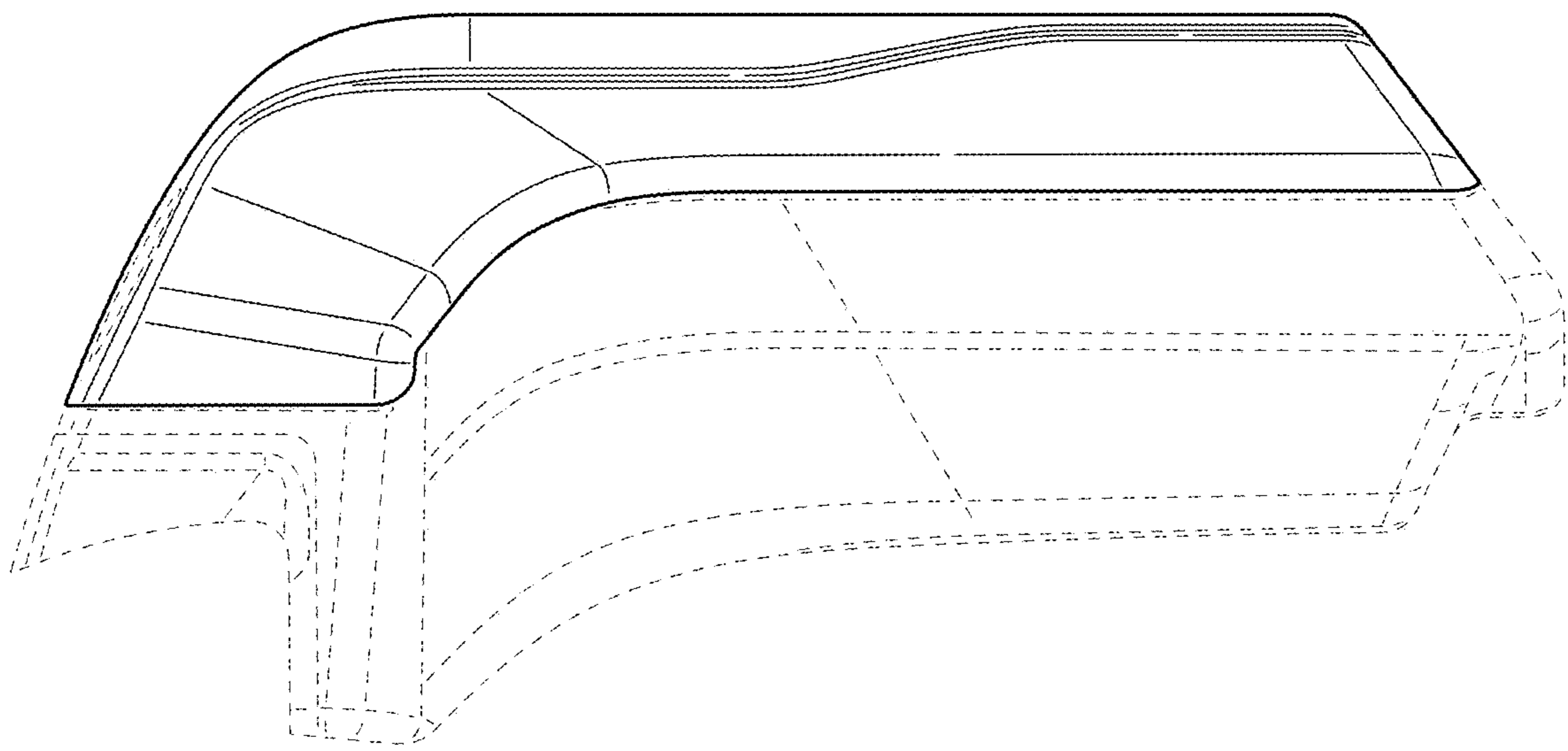


FIG. 4

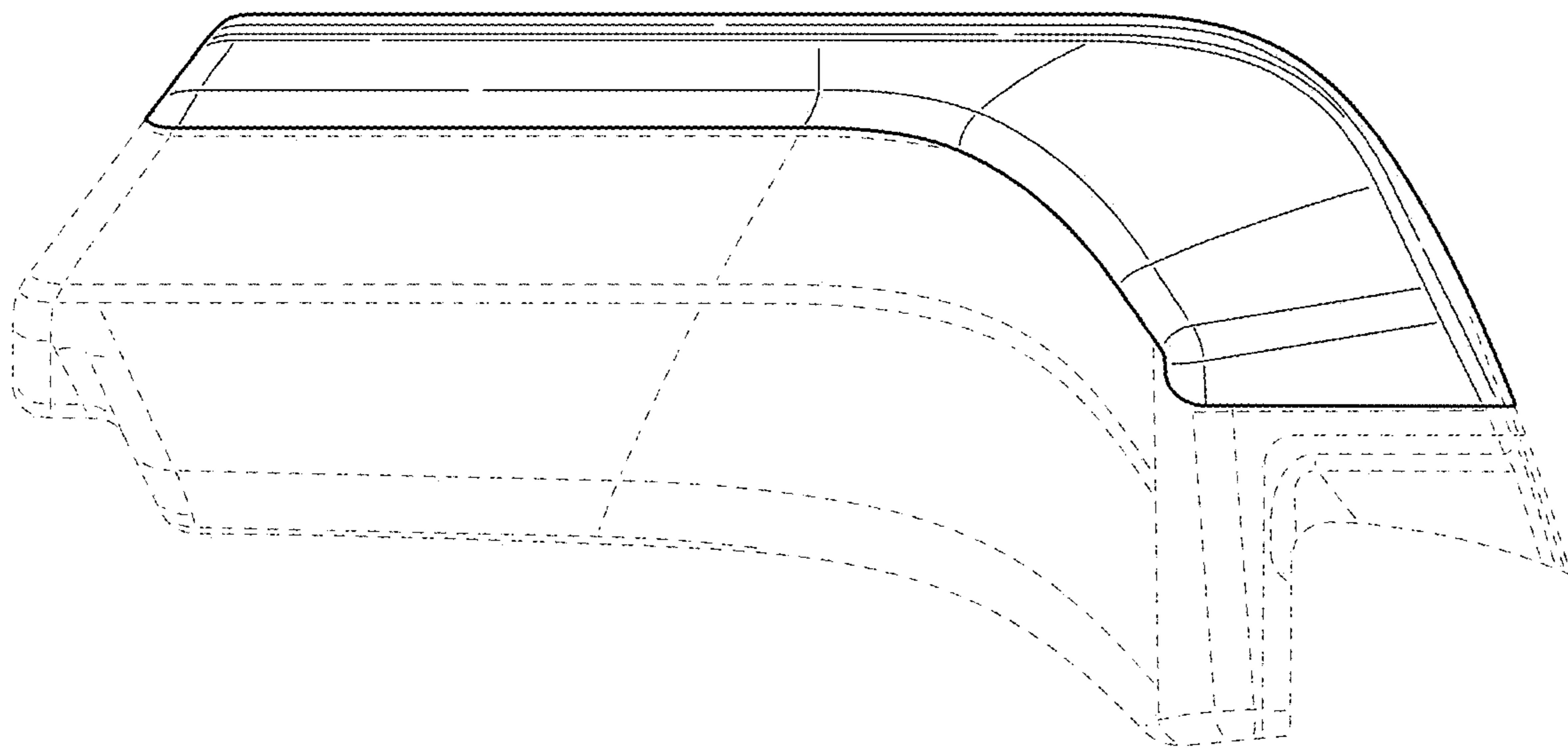


FIG. 5

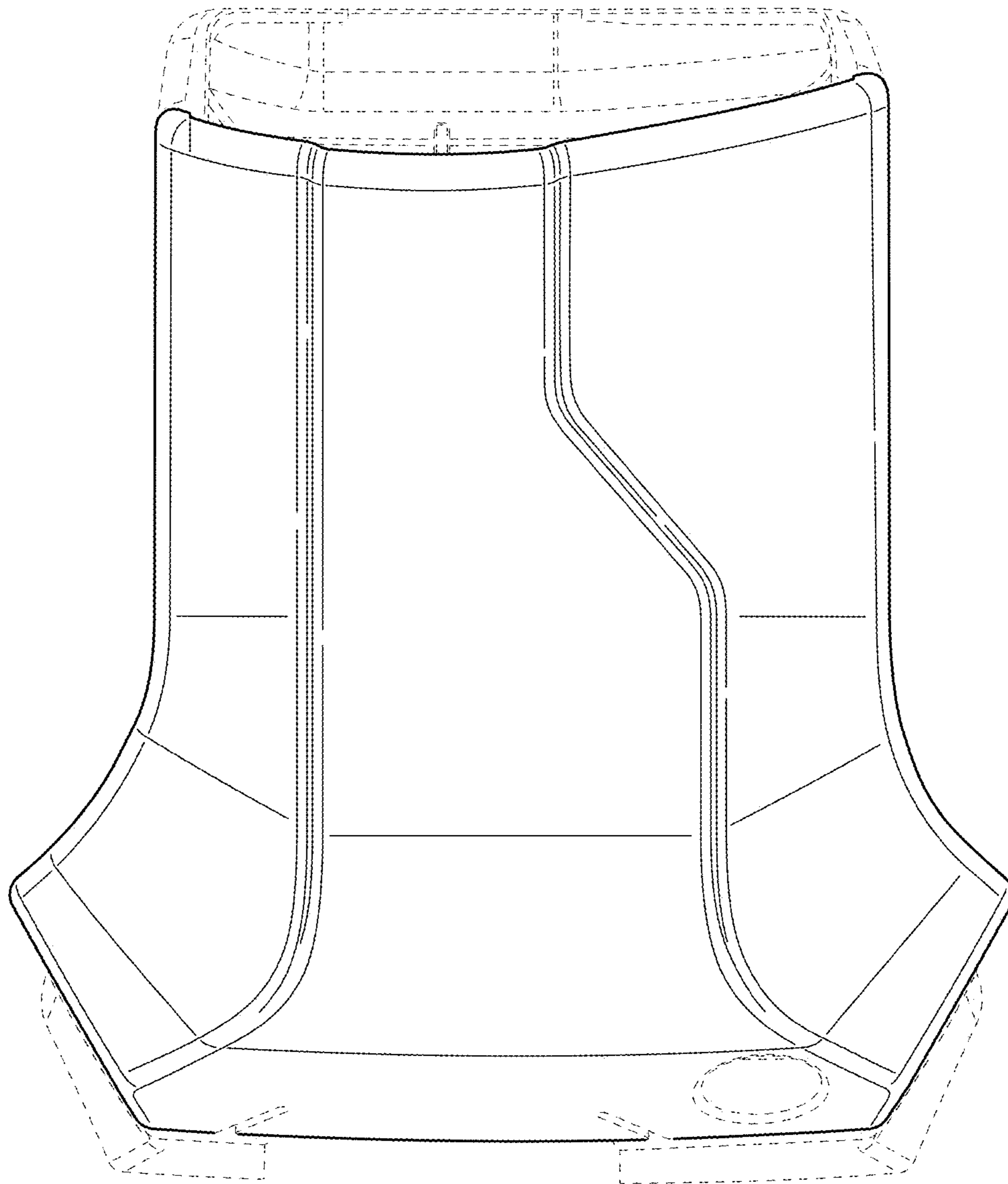


FIG. 6

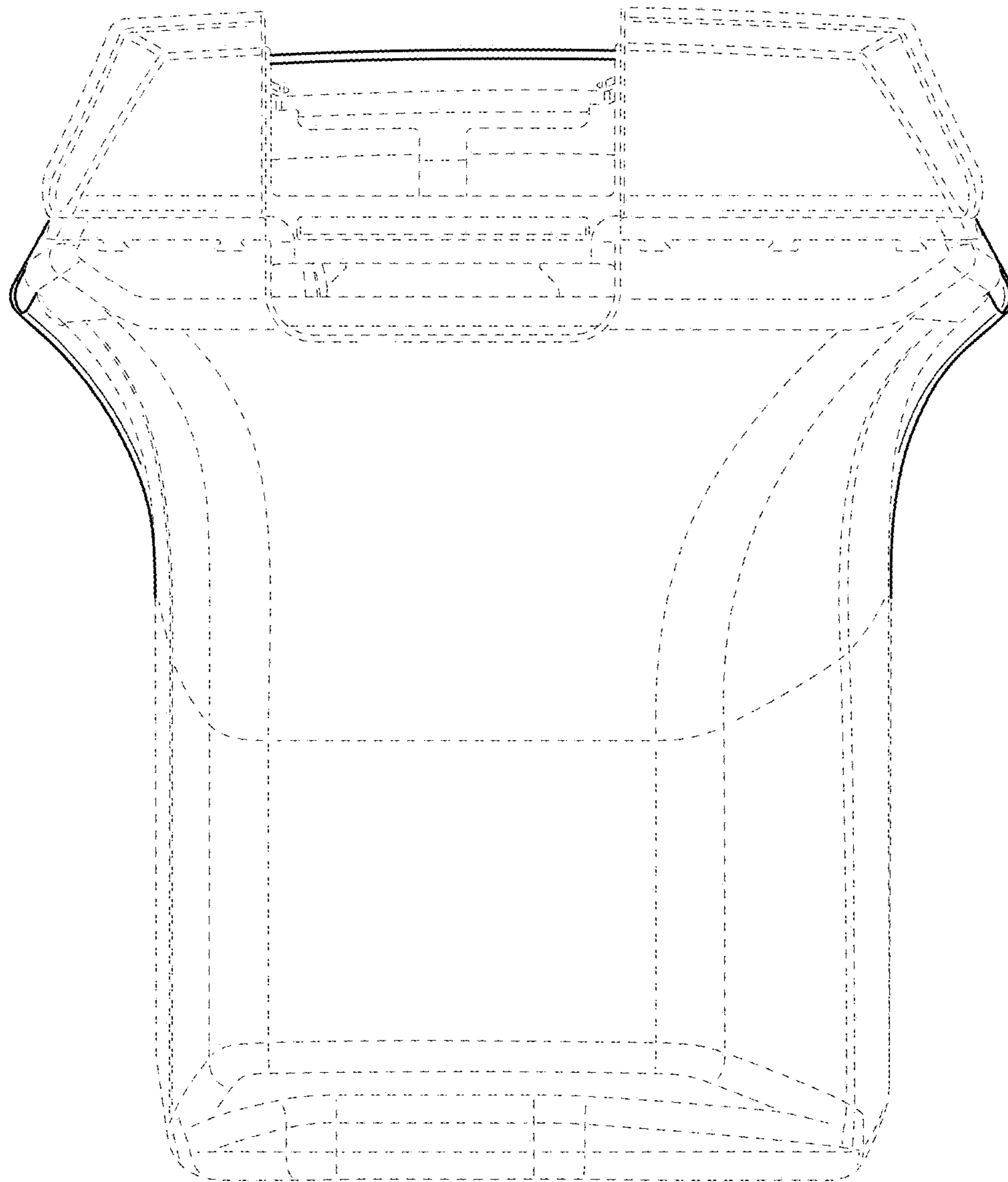


FIG. 7

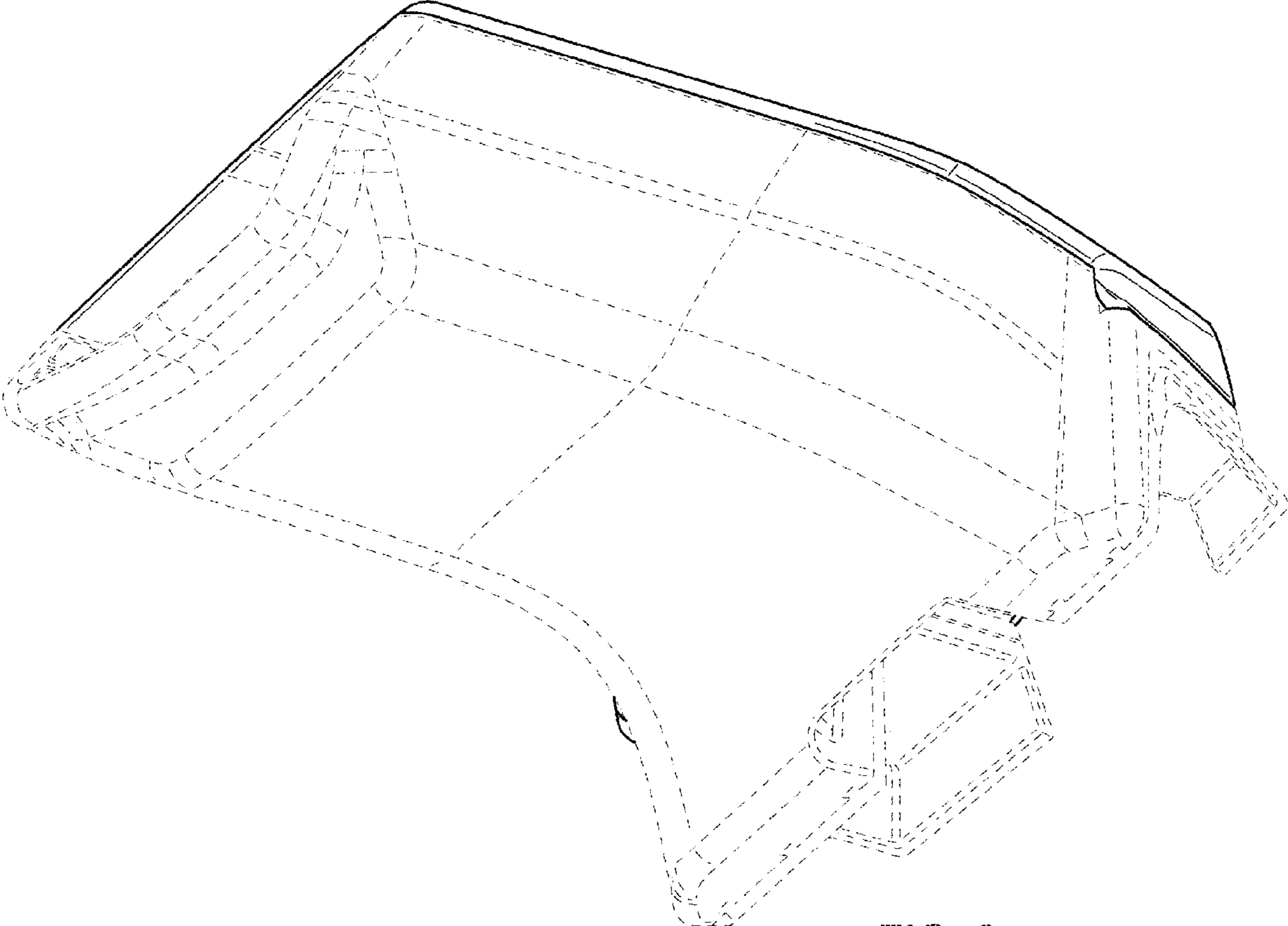


FIG. 8