

US00D969721S

(12) **United States Design Patent** (10) **Patent No.:** **US D969,721 S**
Russ (45) **Date of Patent:** **** Nov. 15, 2022**

(54) **BOAT COVER ELEVATING STAND**

FOREIGN PATENT DOCUMENTS

(71) Applicant: **Wilson Russ**, Stafford, VA (US)

CN 304087946 * 3/2017

(72) Inventor: **Wilson Russ**, Stafford, VA (US)

EM 007973268-0007 * 10/2020

KR 300722067.0000 * 12/2013

(**) Term: **15 Years**

OTHER PUBLICATIONS

(21) Appl. No.: **29/764,227**

Tuszom Boat Cover Support Pole—Adjustable Heavy Duty Steel Boat Cover Support System, available in Amazon.com, date first available Nov. 9, 2021 [online], [site visited Sep. 15, 2022], Available from the internet URL: https://www.amazon.com/Tuszom-Boat-Cover-Support-Pole/dp/B09LD9ZBWK/ref=asc_df_B09LD9ZBWK/?tag=hyprod-*

(22) Filed: **Dec. 29, 2020**

(51) **LOC (13) Cl.** **12-06**

(52) **U.S. Cl.**

USPC **D12/317**

(58) **Field of Classification Search**

USPC D12/317; D22/134, 147, 199; 43/19.2, 43/21.2, 26.1, 27.2, 27.4, 42.74; 242/250, 242/264, 394.1; 248/512-513, 538

CPC A01K 91/00; A01K 91/02; A01K 91/065

See application file for complete search history.

(Continued)

Primary Examiner — Darlington Ly

Assistant Examiner — D. Ryan Tisdale

(74) *Attorney, Agent, or Firm* — Sanchelima & Associates, P.A.; Christian Sanchelima; Jesus Sanchelima

(56) **References Cited**

(57) **CLAIM**

U.S. PATENT DOCUMENTS

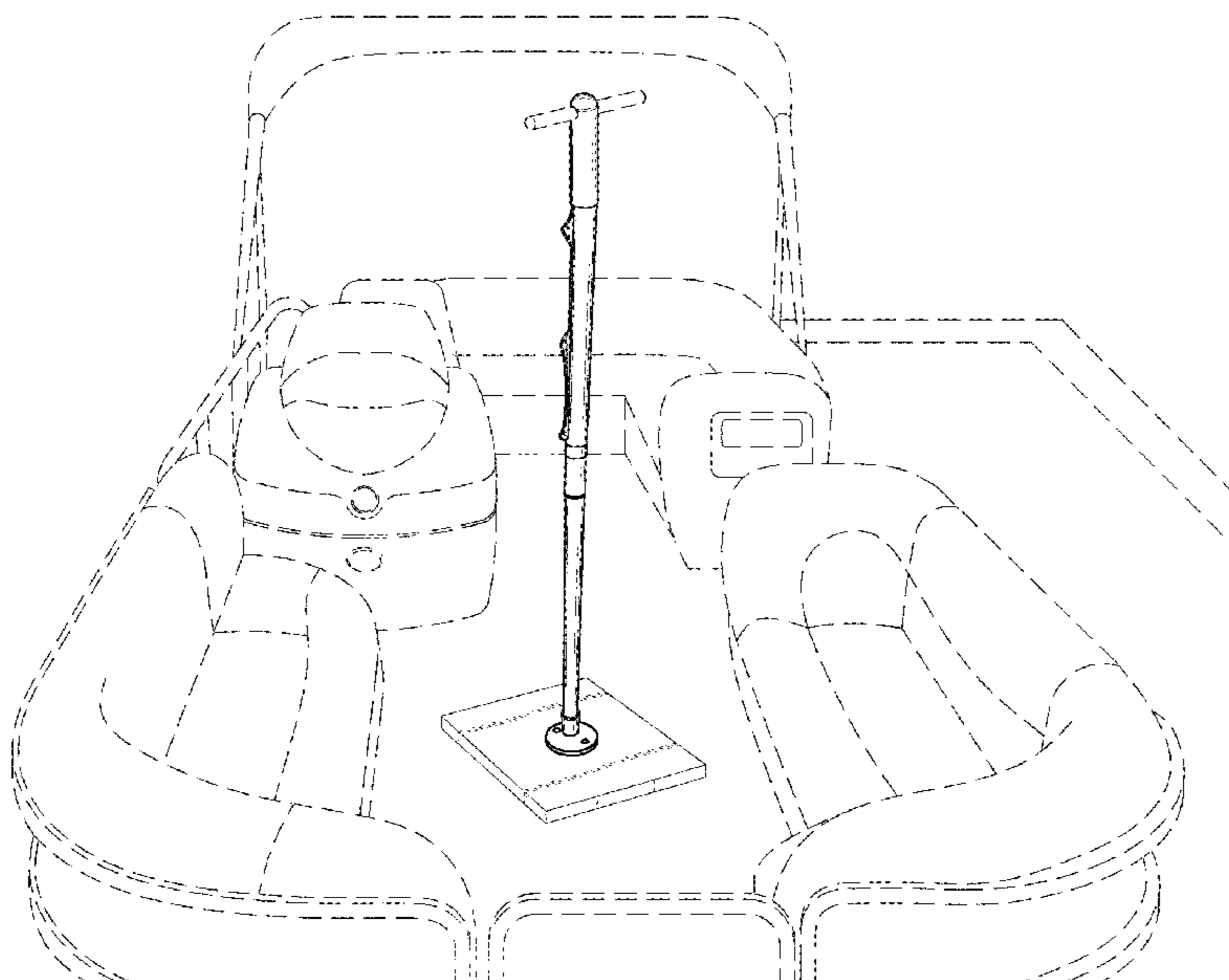
The ornamental design for a boat cover elevating stand, as shown and described.

776,284 A * 11/1904 Wright A47F 7/06
206/8
4,927,109 A * 5/1990 Wilson E04H 4/10
248/354.3
6,394,401 B1 * 5/2002 St. Peter A01G 5/02
248/122.1
D599,104 S * 9/2009 Birsen D3/10
D842,214 S * 3/2019 Caldwell D12/317
D899,827 S * 10/2020 Louden D6/681.1
2002/0154789 A1 * 10/2002 Rodgers F16M 11/041
381/361
2004/0175013 A1 * 9/2004 Gleissner H04R 1/08
381/363
2006/0151018 A1 * 7/2006 Wilson A45B 25/14
135/98
2010/0024711 A1 * 2/2010 Mikacich B63B 17/02
114/361
2021/0361042 A1 * 11/2021 Mullet A45B 3/00

DESCRIPTION

FIG. 1 is an isometric operational view of a boat cover elevating stand showing my new design; FIG. 2 is an isometric view thereof; FIG. 3 is a front elevational view thereof; FIG. 4 is a rear elevational view thereof; FIG. 5 is a left side elevational view thereof; FIG. 6 is a right elevational view thereof; FIG. 7 is a top plan view thereof; and, FIG. 8 is a bottom plan view thereof showing my design. The broken lines in the drawings illustrate portions of the boat cover elevating stand which form no part of the claimed design.

1 Claim, 5 Drawing Sheets



(56)

References Cited

OTHER PUBLICATIONS

Boat Cover Support Poles 2 PK Support Systems, available in Amazon.com, date first available Oct. 16, 2019 [online], [site visited Sep. 15, 2022], Available from the internet URL: <https://www.amazon.com/Boat-Cover-Support-Systems-Covers/dp/B07Z5PJ5NG?th=1>.*

Vico Marine—Support Pole + Boat Vent 2 + Pole Base (34"-59") GXP59A-1 BV2 PBR BLK, available in Amazon.com, date first available Jun. 23, 2015 [online], [site visited Sep. 15, 2022], Available from the internet URL: https://www.amazon.com/Vico-Marine-Support-Pole-Boat/dp/B010E7GL6K/ref=pd_lpo_3?pd_rd_i=B010E7GL6K&psc=.*

* cited by examiner

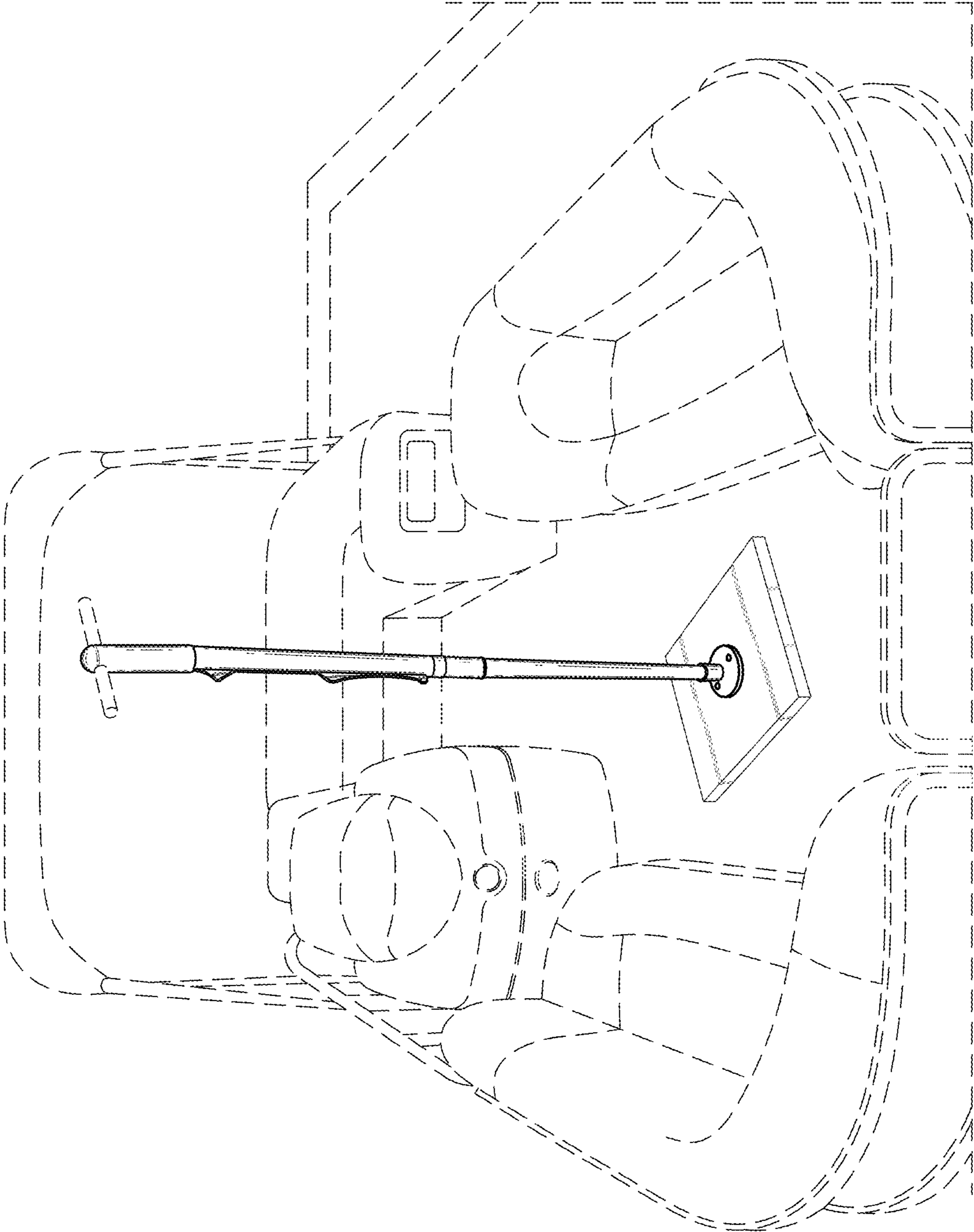


FIG. 1

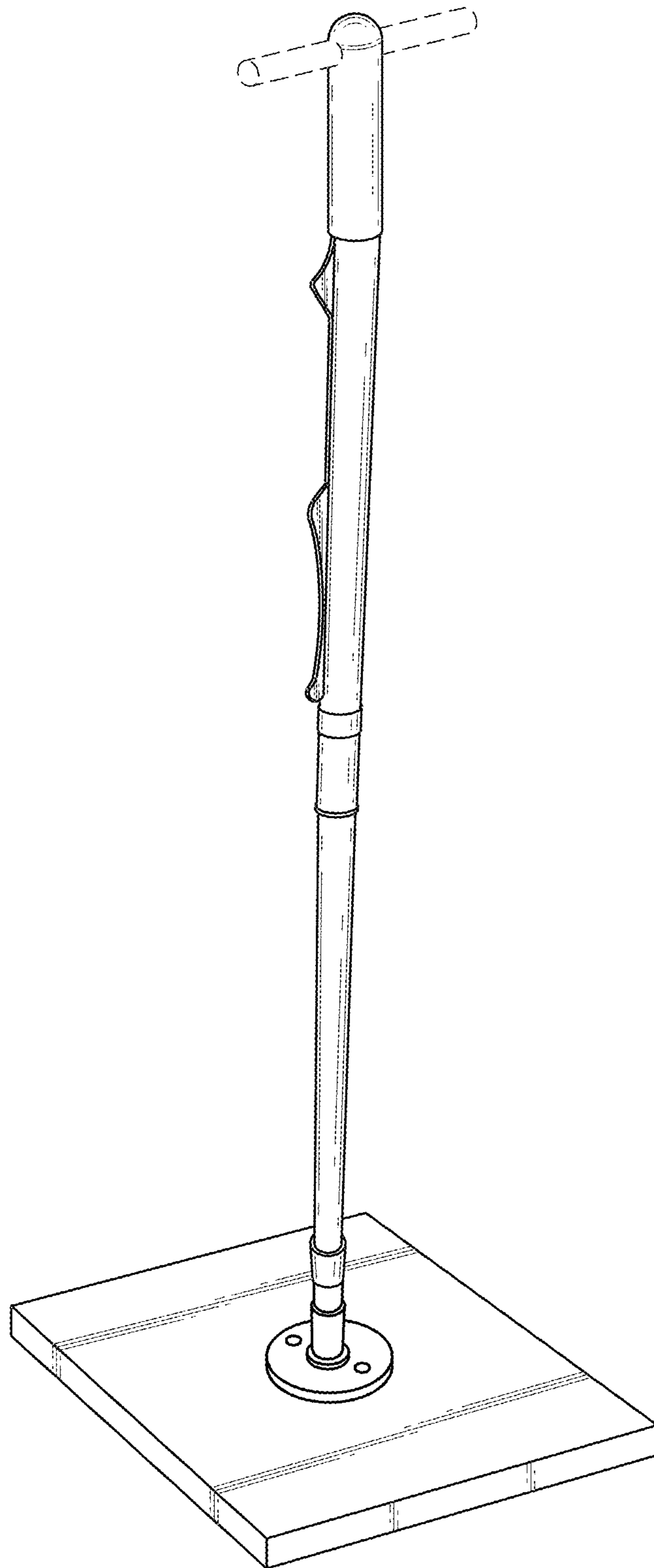


FIG. 2

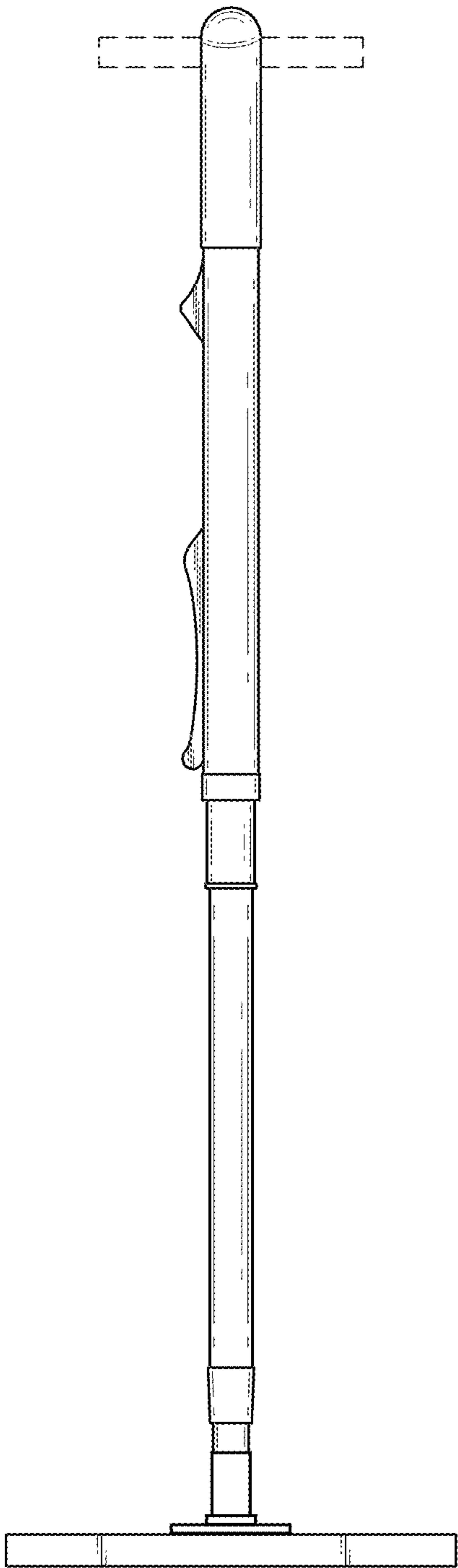


FIG. 3

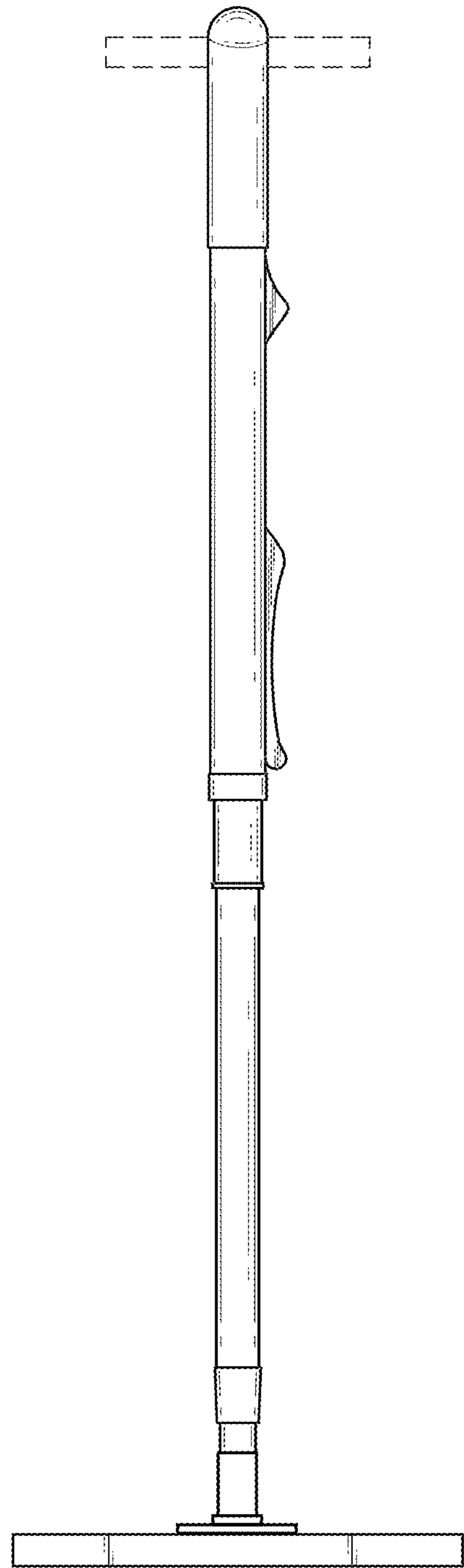


FIG. 4

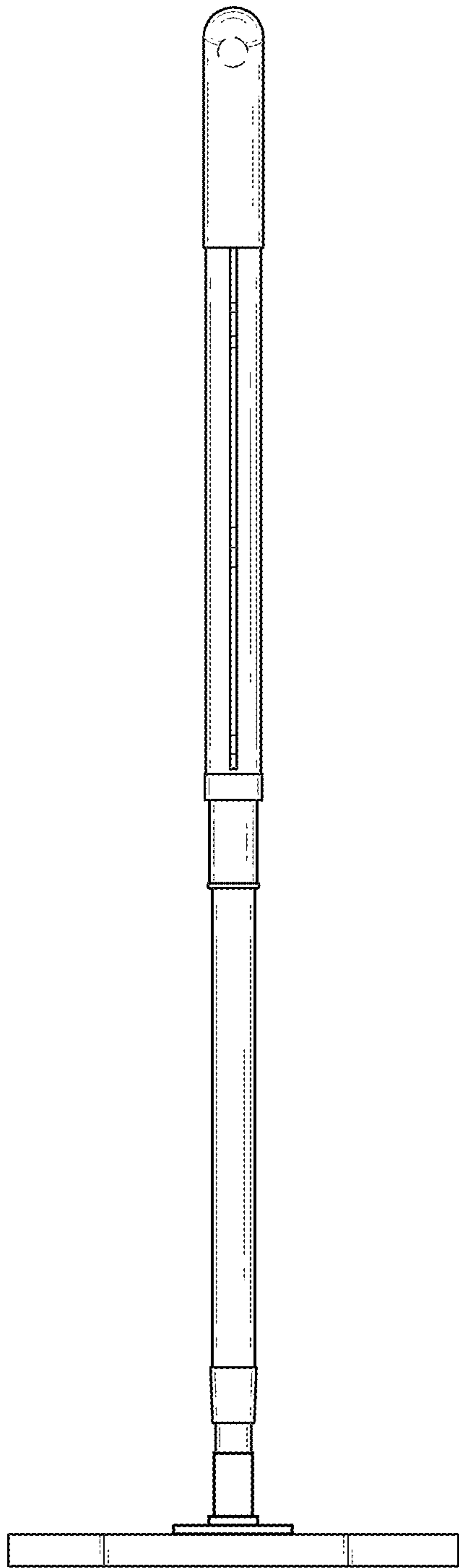


FIG. 5

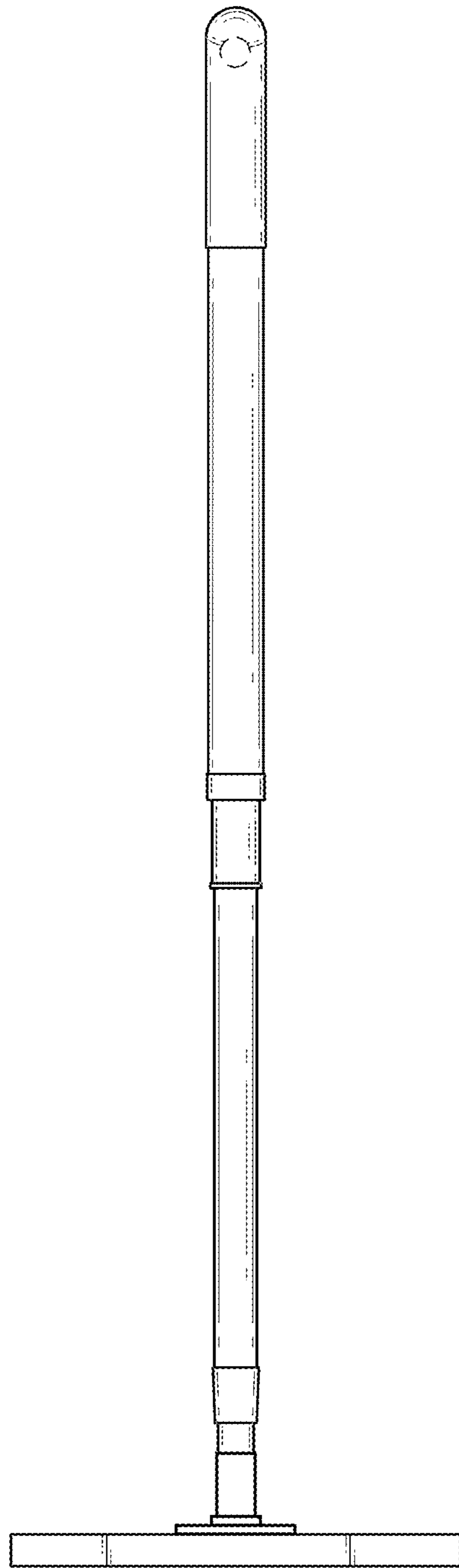


FIG. 6

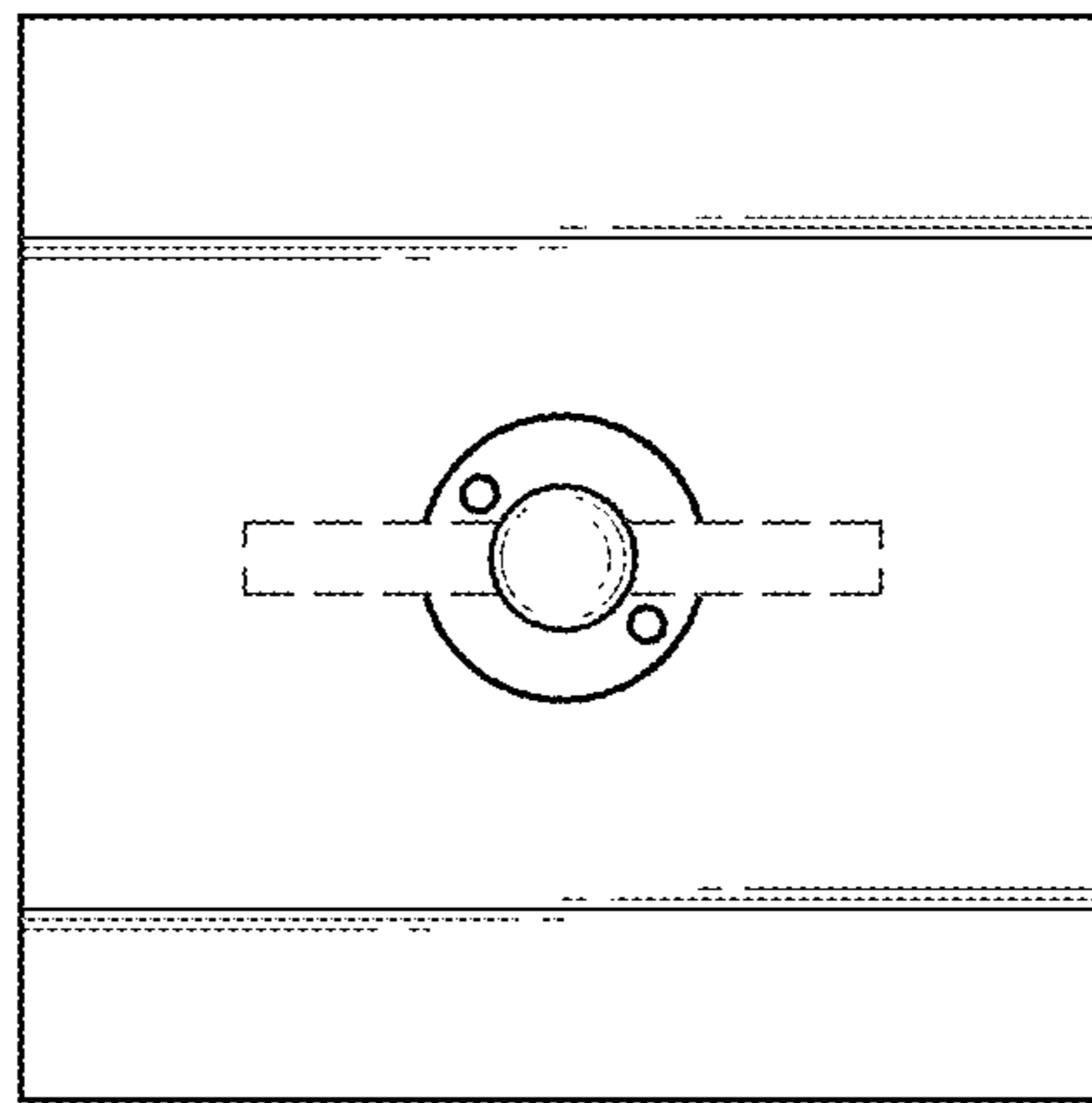


FIG. 7

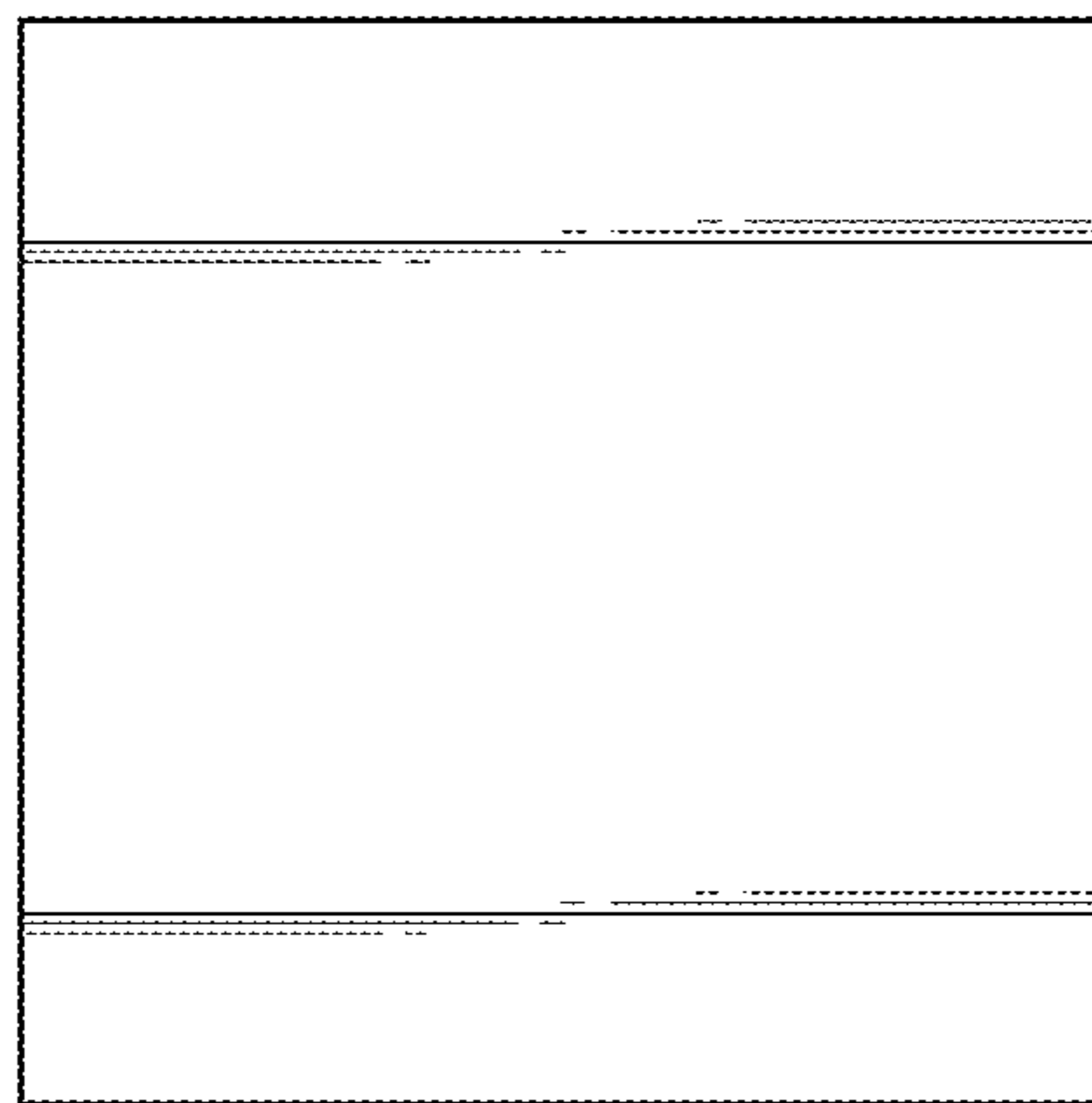


FIG. 8