



US00D969720S

(12) **United States Design Patent**
Allphin

(10) **Patent No.:** **US D969,720 S**

(45) **Date of Patent:** **** Nov. 15, 2022**

(54) **BOAT DESIGN**

(71) Applicant: **Damon Allphin**, Donna, TX (US)

(72) Inventor: **Damon Allphin**, Donna, TX (US)

(**) Term: **15 Years**

(21) Appl. No.: **29/785,780**

(22) Filed: **May 27, 2021**

(51) **LOC (13) Cl.** **12-06**

(52) **U.S. Cl.**
USPC **D12/310**

(58) **Field of Classification Search**
USPC D12/300, 302-304, 306-308, 310,
D12/312-318, 413; D14/300; D21/542,
D21/544
CPC B63B 1/00; B63B 1/042; B63B 1/125;
B63B 7/00; B63B 34/10; B63B 17/00;
B63B 17/02; B63H 8/00; B63H 9/00
See application file for complete search history.

(56) **References Cited**

U.S. PATENT DOCUMENTS

- D271,484 S * 11/1983 Wood D12/300
- D297,528 S * 9/1988 May D12/300
- 4,870,919 A * 10/1989 Allison B63B 1/20
114/356
- 5,143,013 A * 9/1992 Huebner B63B 29/04
114/361
- D334,167 S * 3/1993 Riley D12/313
- D336,461 S * 6/1993 Villalon D12/313
- D336,630 S * 6/1993 Villalon D12/313
- D384,321 S * 9/1997 Anderson D12/310
- D395,636 S * 6/1998 Pierce D12/300
- 5,833,502 A * 11/1998 Anderson B63B 1/042
440/69
- D447,994 S * 9/2001 Morejohn D12/300
- 6,957,620 B1 * 10/2005 Wheeler B63B 1/38
114/67 A
- 7,424,859 B1 * 9/2008 Clancey B63H 5/16
114/67 A

- 8,616,143 B2 * 12/2013 Hancock, Jr. B63B 19/12
114/201 R
- D718,211 S * 11/2014 Kristinsson D12/317
- D852,719 S * 7/2019 Urion D12/314
- D901,365 S * 11/2020 Urion D12/314
- 2014/0116319 A1 * 5/2014 Dougherty B63B 49/00
114/343

(Continued)

FOREIGN PATENT DOCUMENTS

- CN 300903925 * 4/2009
- CN 306955594 * 11/2021

(Continued)

OTHER PUBLICATIONS

Most Popular Shallow Water Bay Fishing Boat: Dargel 210 Skout, announced in YouTube on Mar. 16, 2020 [online], [Jul. 14, 2022], Available from the internet URL: https://www.youtube.com/watch?v=Ho3VLGOB_ww.*

Primary Examiner — Darlington Ly
Assistant Examiner — D. Ryan Tisdale

(74) *Attorney, Agent, or Firm* — Nick Guinn; Gunn, Lee & Cave, P.C.

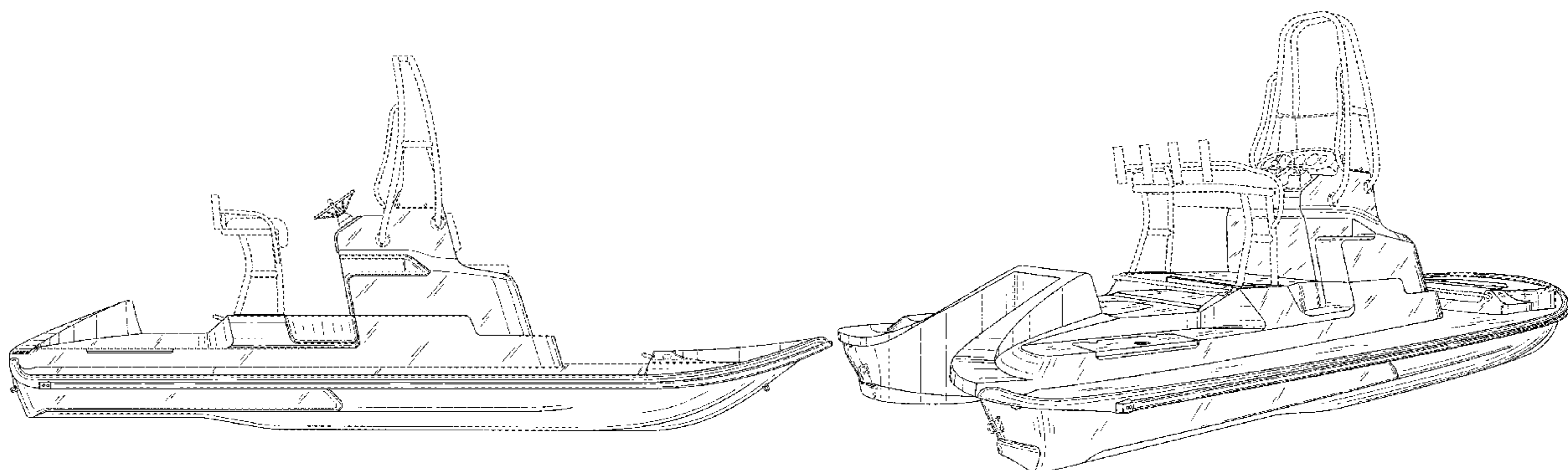
(57) **CLAIM**

The ornamental design for a boat design, as shown and described.

DESCRIPTION

FIG. 1 is a front elevation view of the boat design; FIG. 2 is a rear elevation view thereof; FIG. 3 is a left side elevation view thereof; FIG. 4 is a right side elevation view thereof; FIG. 5 is a front perspective view thereof; and, FIG. 6 is a rear perspective view thereof. The broken lines in the drawings illustrate portions of the boat design that form no part of the claimed design.

1 Claim, 6 Drawing Sheets



(56)

References Cited

U.S. PATENT DOCUMENTS

2015/0314832 A1* 11/2015 Walker B63B 17/02
114/345

FOREIGN PATENT DOCUMENTS

CN	307190445	*	3/2022
EM	007905328-0001	*	5/2020
EM	008546725-0001	*	6/2021
GB	2086183	*	11/1999
RU	00042462	*	5/1996
RU	00050653	*	7/2002

* cited by examiner

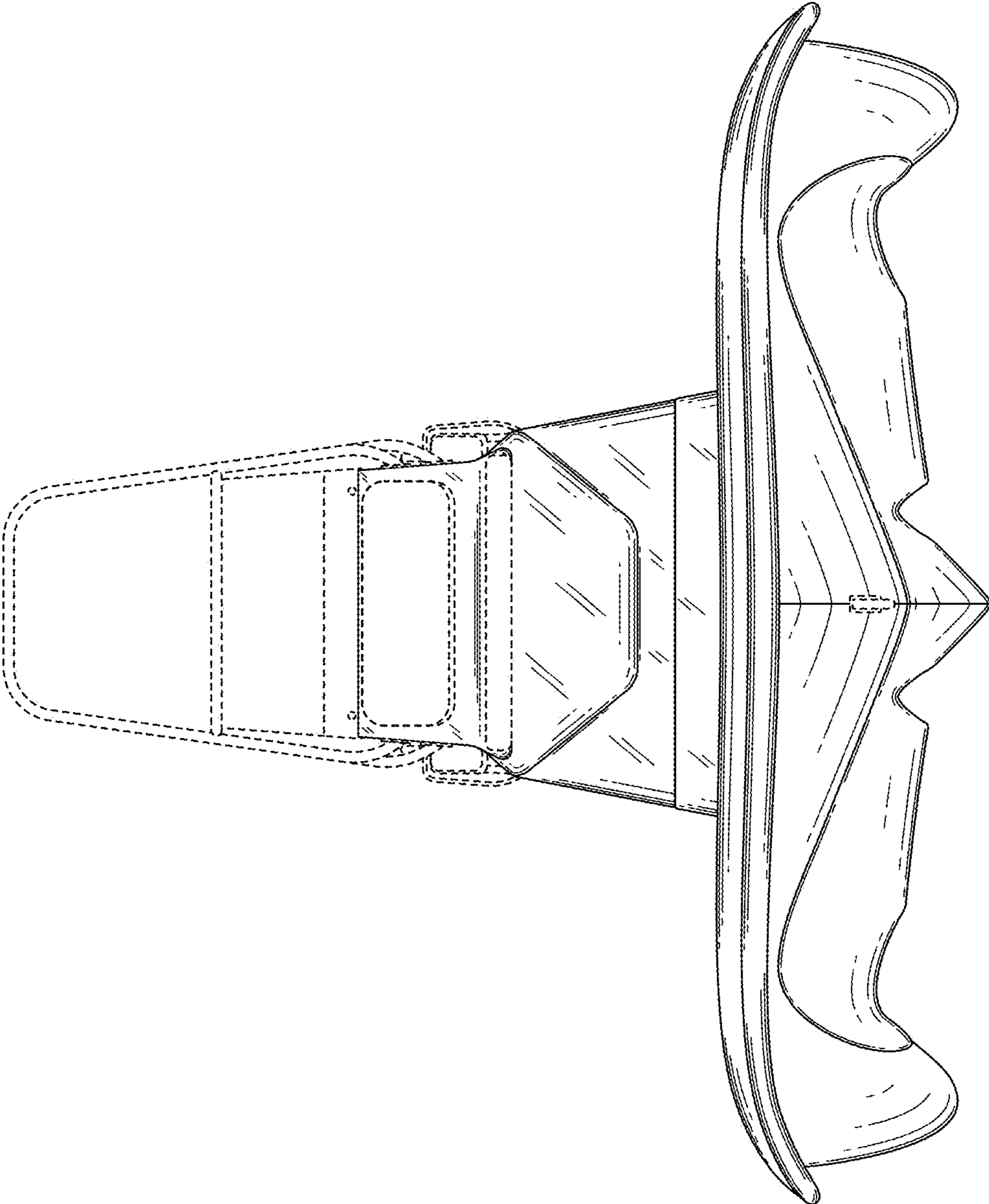


Fig. 1

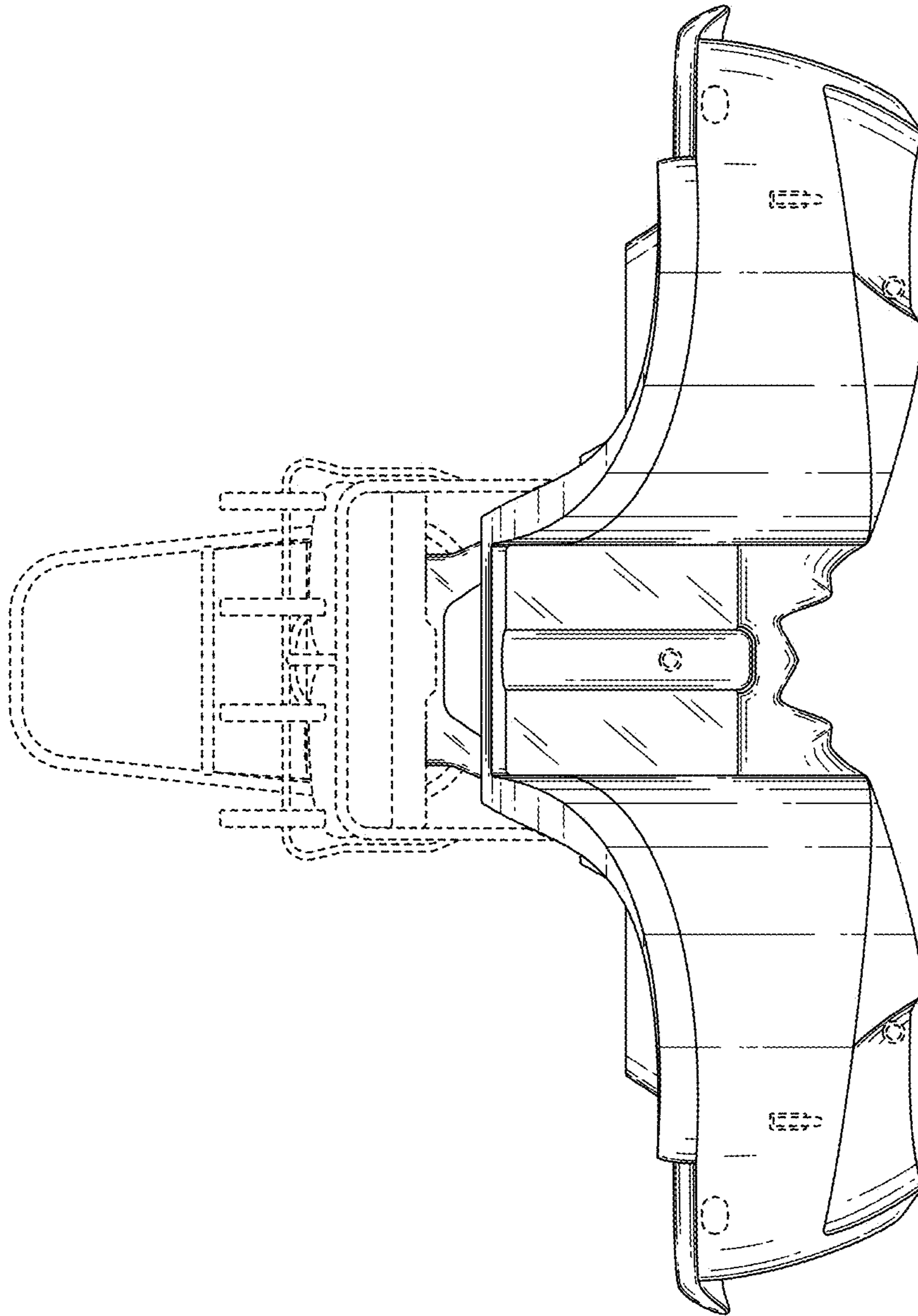


Fig. 2

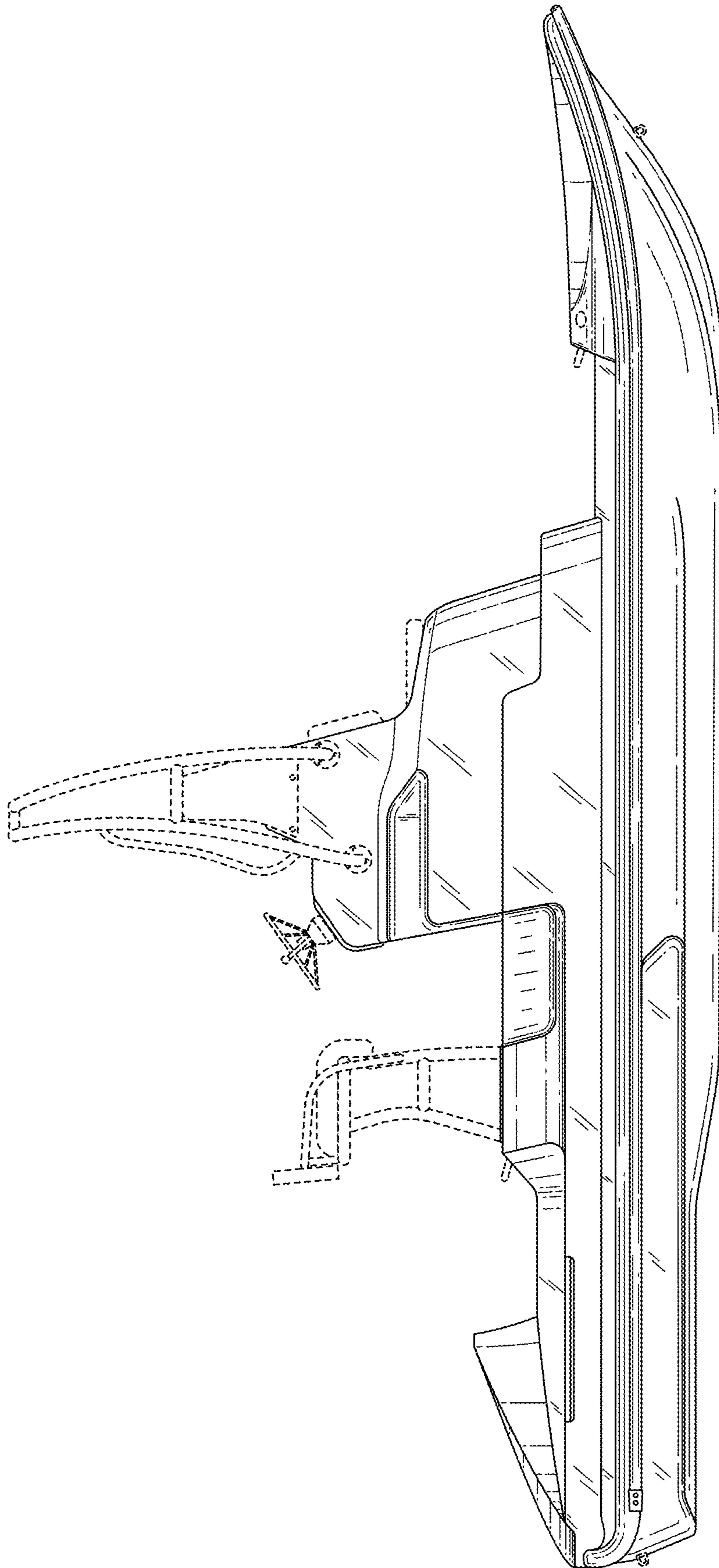


Fig. 3

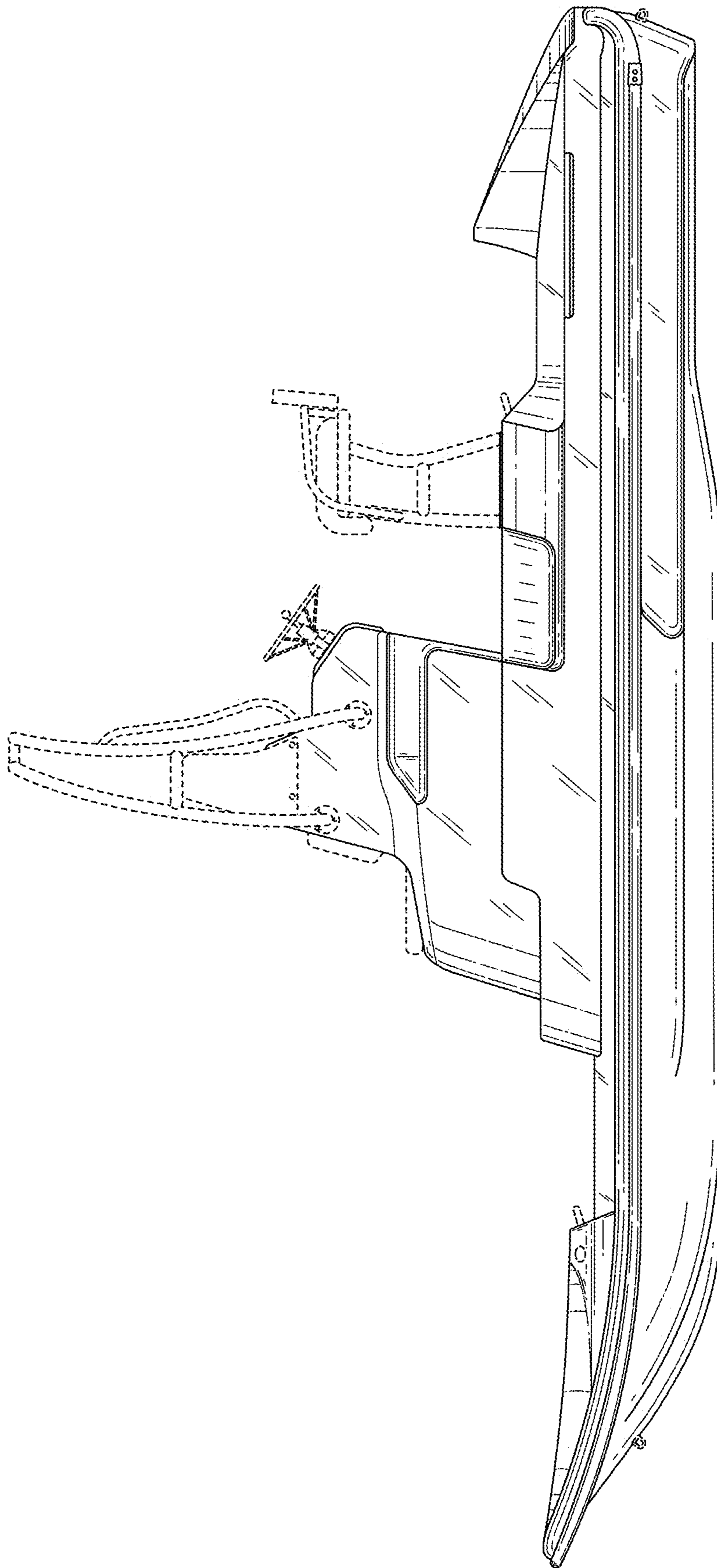


Fig. 4

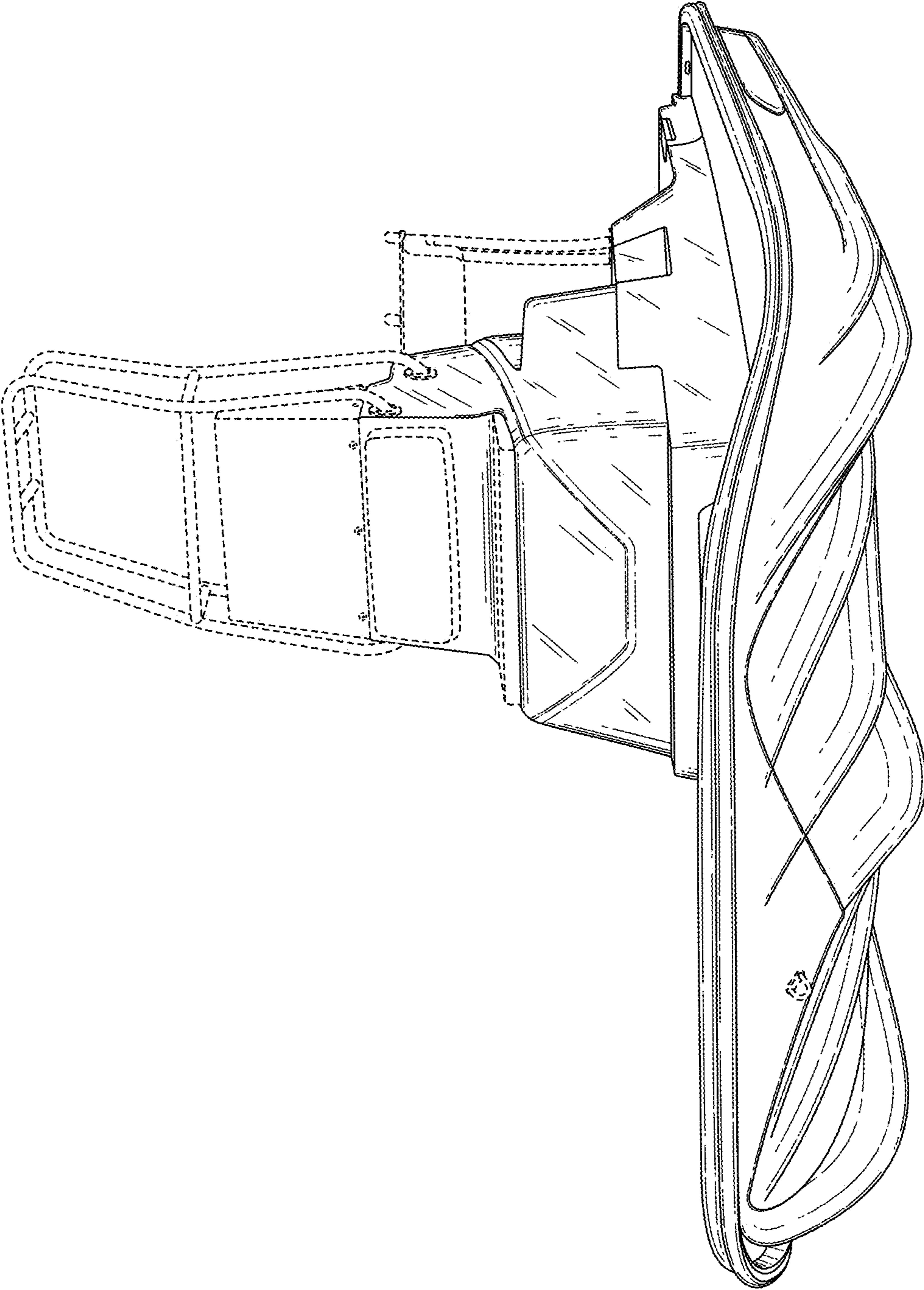


Fig. 5

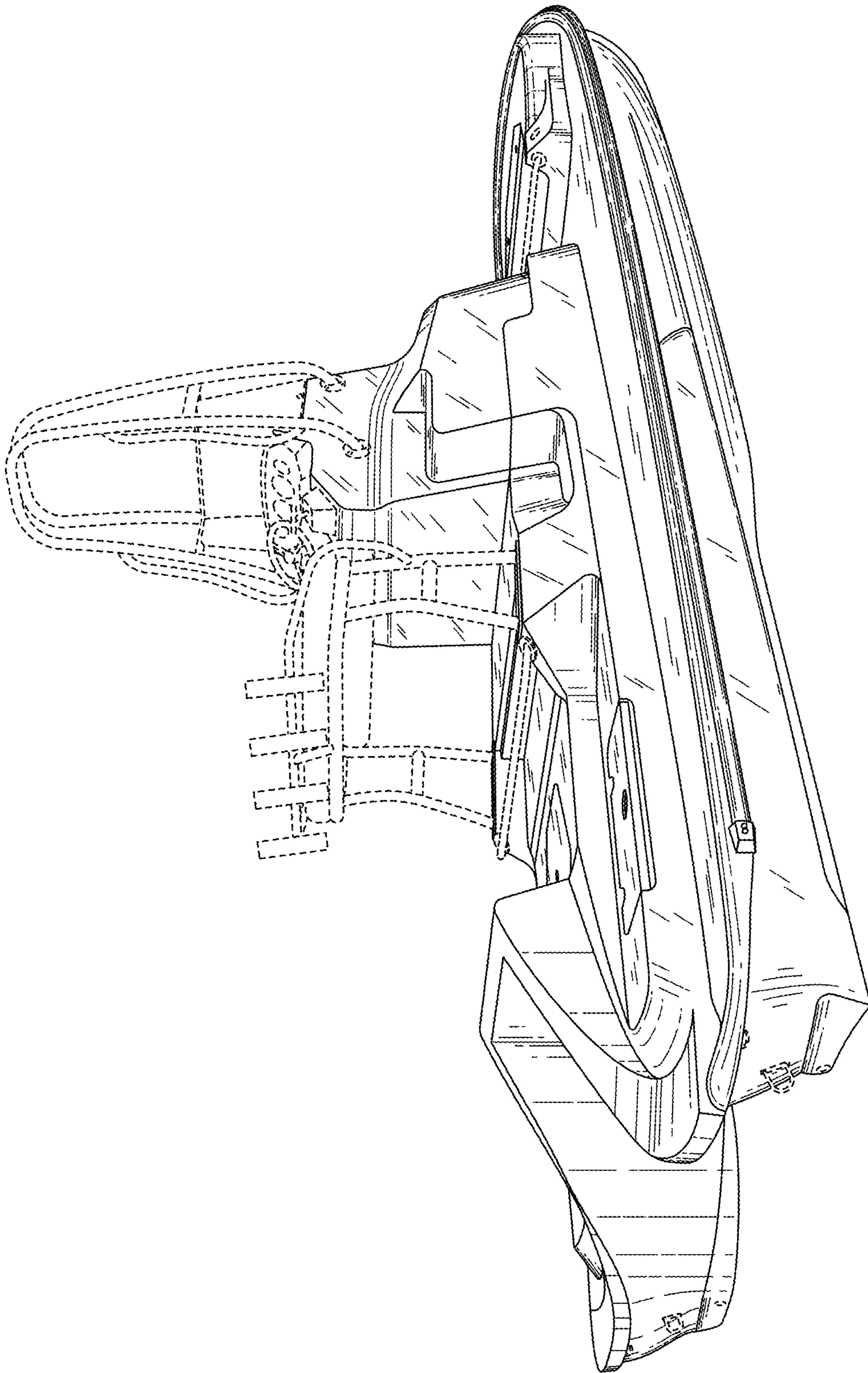


Fig. 6