



US00D969719S

(12) **United States Design Patent**  
**Bozzini**

(10) **Patent No.:** **US D969,719 S**

(45) **Date of Patent:** **\*\* Nov. 15, 2022**

(54) **VEHICLE ROLL OVER PROTECTION  
DEVICE**

(71) Applicant: **Safety Engineering International,  
LLC, Goleta, CA (US)**

(72) Inventor: **Susie Bozzini, Santa Barbara, CA (US)**

(73) Assignee: **Safety Engineering International  
LLC, Goleta, CA (US)**

(\*\*) Term: **15 Years**

(21) Appl. No.: **29/751,216**

(22) Filed: **Sep. 18, 2020**

(51) **LOC (13) Cl.** ..... **12-16**

(52) **U.S. Cl.**  
USPC ..... **D12/222**

(58) **Field of Classification Search**  
USPC ..... D12/222, 412, 406, 413, 414, 414.1;  
D6/552; D3/304-306  
CPC ..... B60R 9/04; B60R 9/048; B60R 9/045  
See application file for complete search history.

(56) **References Cited**

**U.S. PATENT DOCUMENTS**

- 3,622,177 A \* 11/1971 Notestine ..... B60R 21/13  
296/102
- 6,508,505 B1 \* 1/2003 Perry ..... B60R 21/13  
296/190.08

- D512,952 S \* 12/2005 Juraschek ..... D12/222
- D528,968 S \* 9/2006 Storer ..... D12/222
- D553,553 S \* 10/2007 Taylor ..... D12/414
- D717,230 S \* 11/2014 Fichter ..... D12/414
- D763,170 S \* 8/2016 Marankie ..... D12/414
- D883,176 S \* 5/2020 Ajam ..... D12/222
- D920,883 S \* 6/2021 Yung ..... D12/222
- D933,576 S \* 10/2021 Ajam ..... D12/222
- D947,747 S \* 4/2022 Yung ..... D12/222

\* cited by examiner

*Primary Examiner* — Katrina A Betton

(74) *Attorney, Agent, or Firm* — Felix L. Fischer

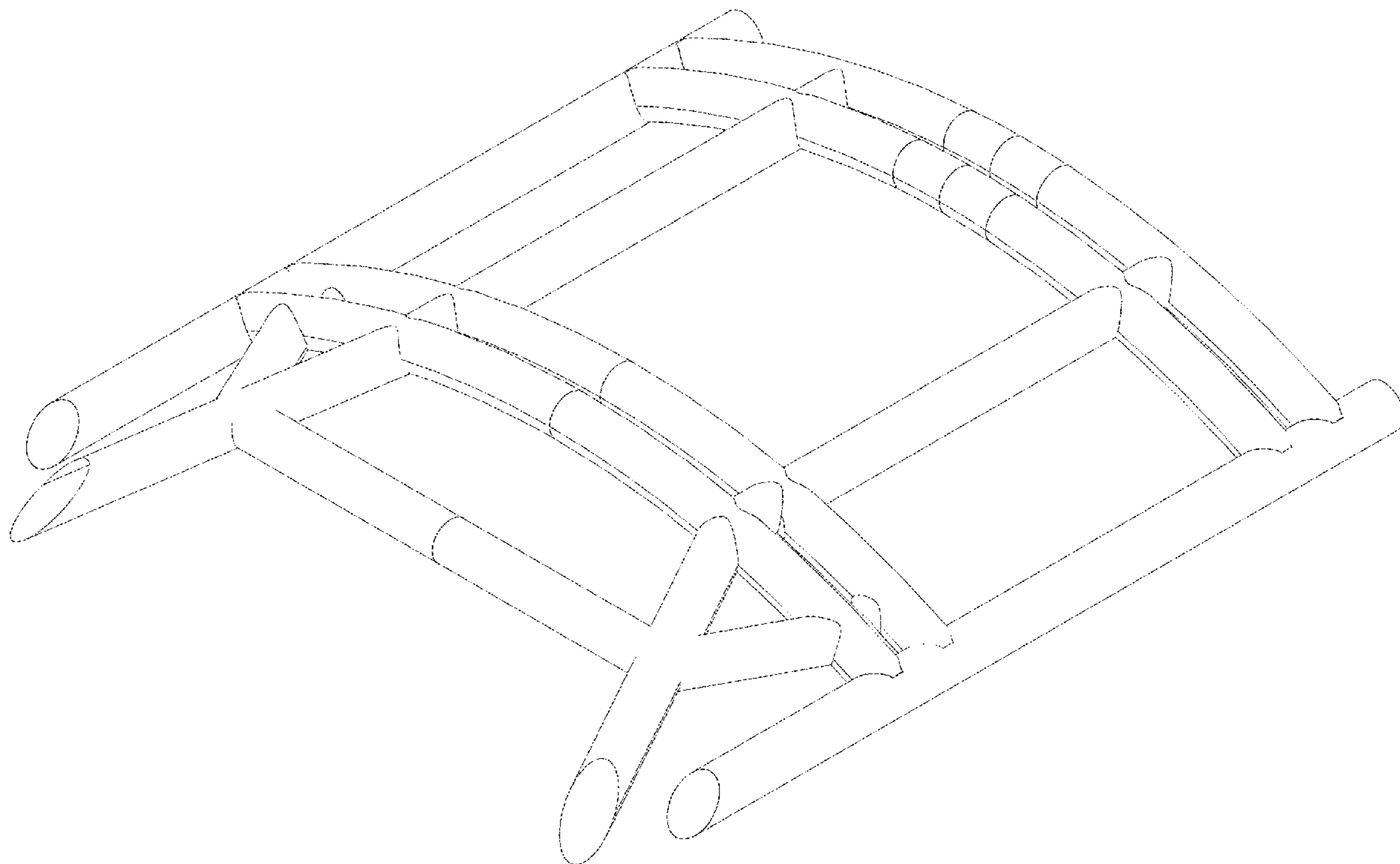
(57) **CLAIM**

The ornamental design for a vehicle roll over protection device, as shown and described.

**DESCRIPTION**

FIG. 1 is a perspective view of the ROP device;  
FIG. 2 is a top view of the ROP device;  
FIG. 3 a front view of the ROP device;  
FIG. 4 is rear view of the ROP device;  
FIG. 5 is a right side view of the ROP device;  
FIG. 6 is a left side view of the ROP device;  
FIG. 7 is a bottom view of the ROP device; and,  
FIG. 8 is a pictorial view of the ROP device as installed on a vehicle, the vehicle shown in dashed lines as environmental structure.

**1 Claim, 6 Drawing Sheets**



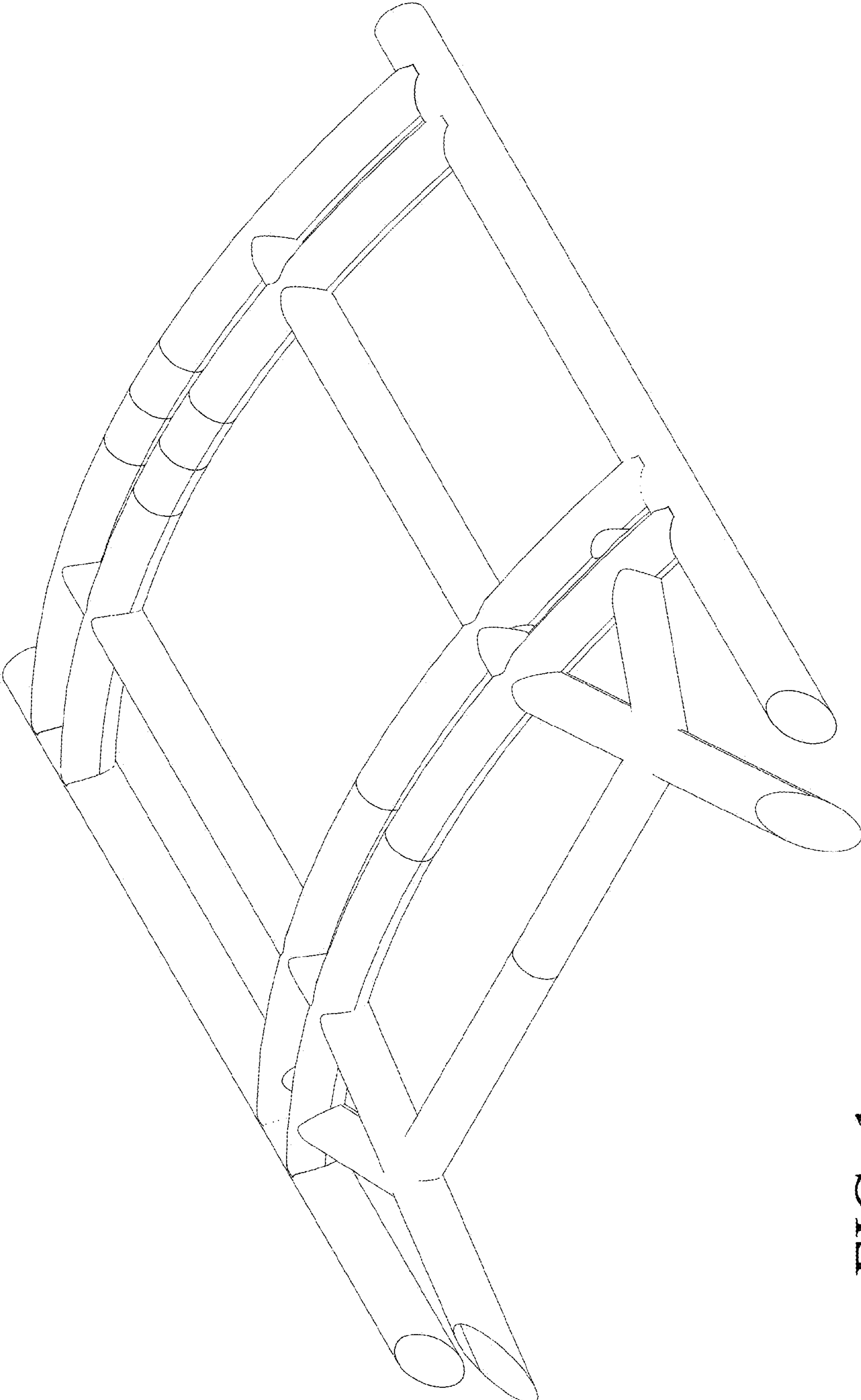


FIG. 1

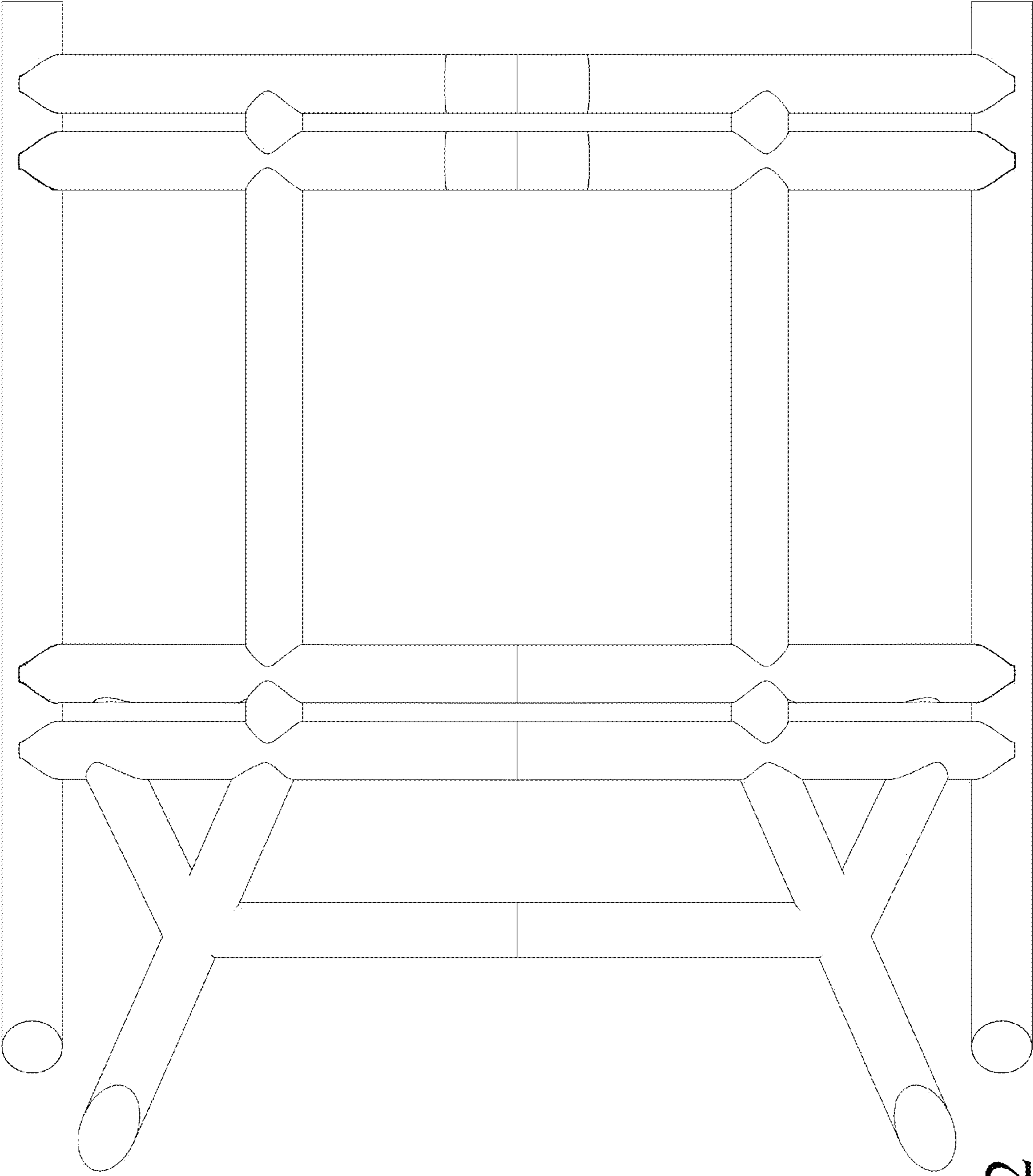


FIG. 2

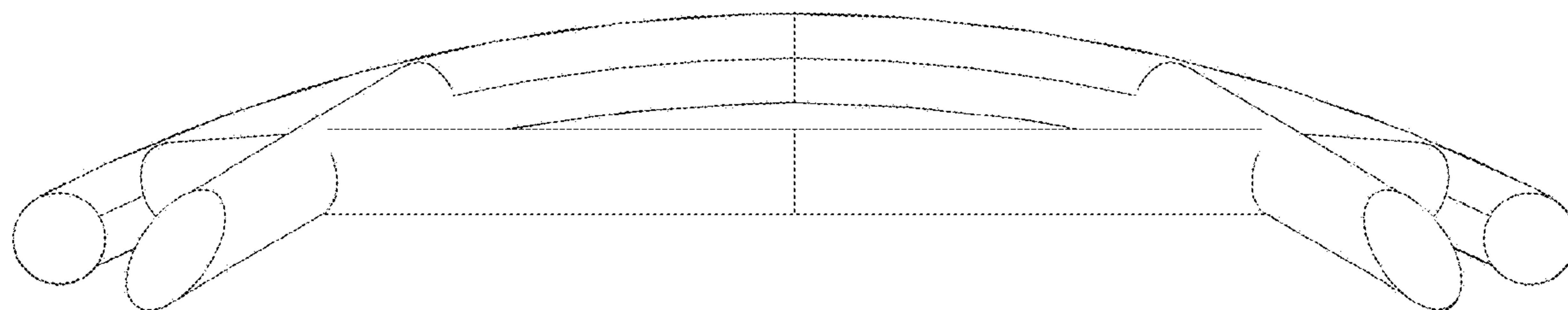


FIG. 3

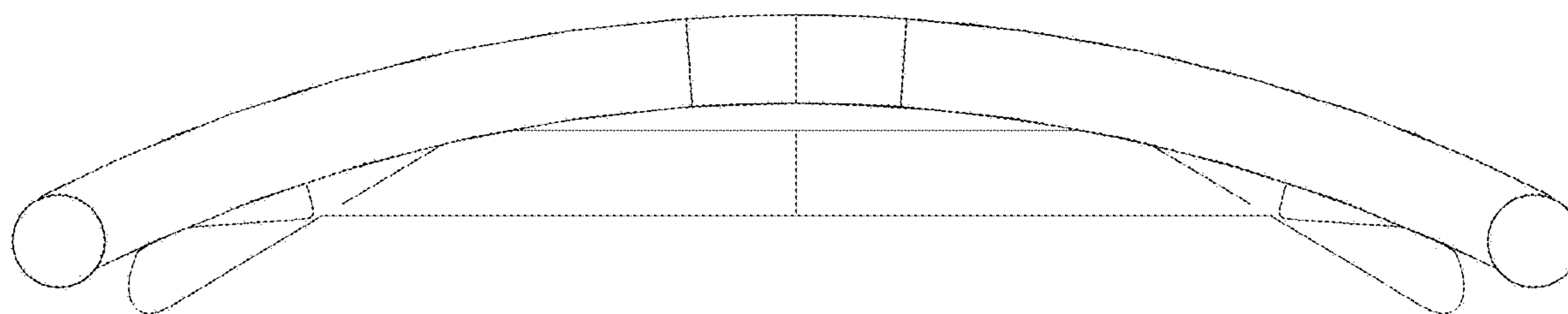


FIG. 4

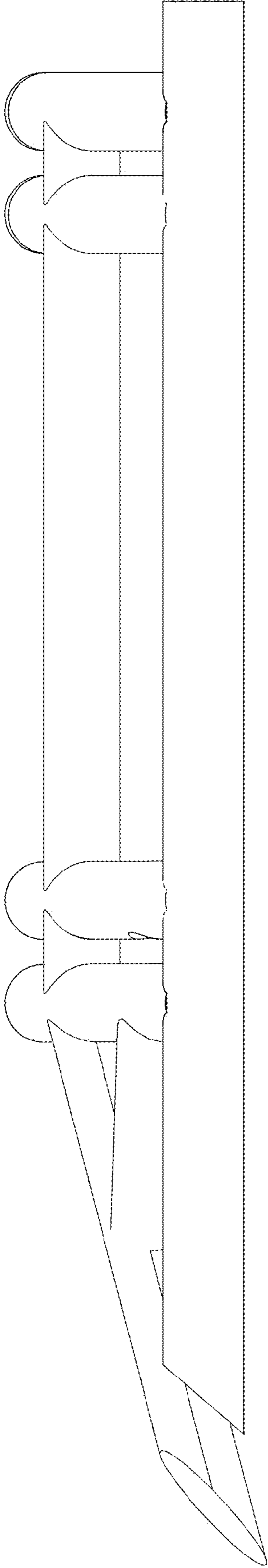


FIG. 5

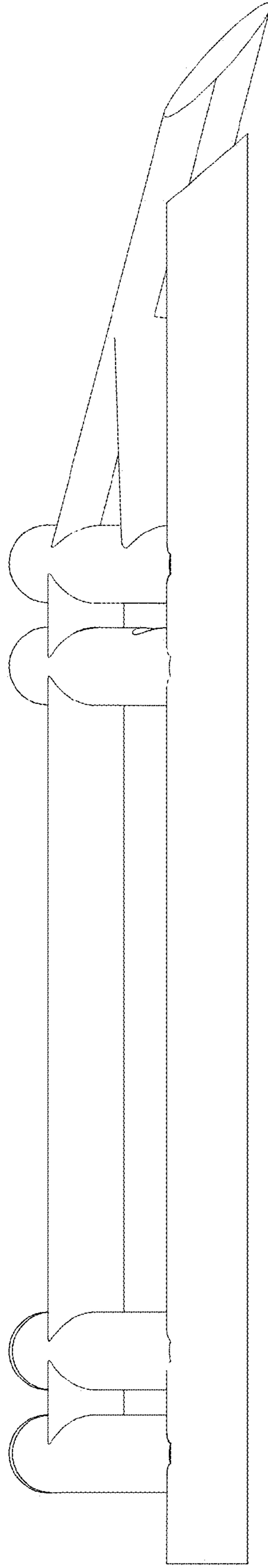


FIG. 6



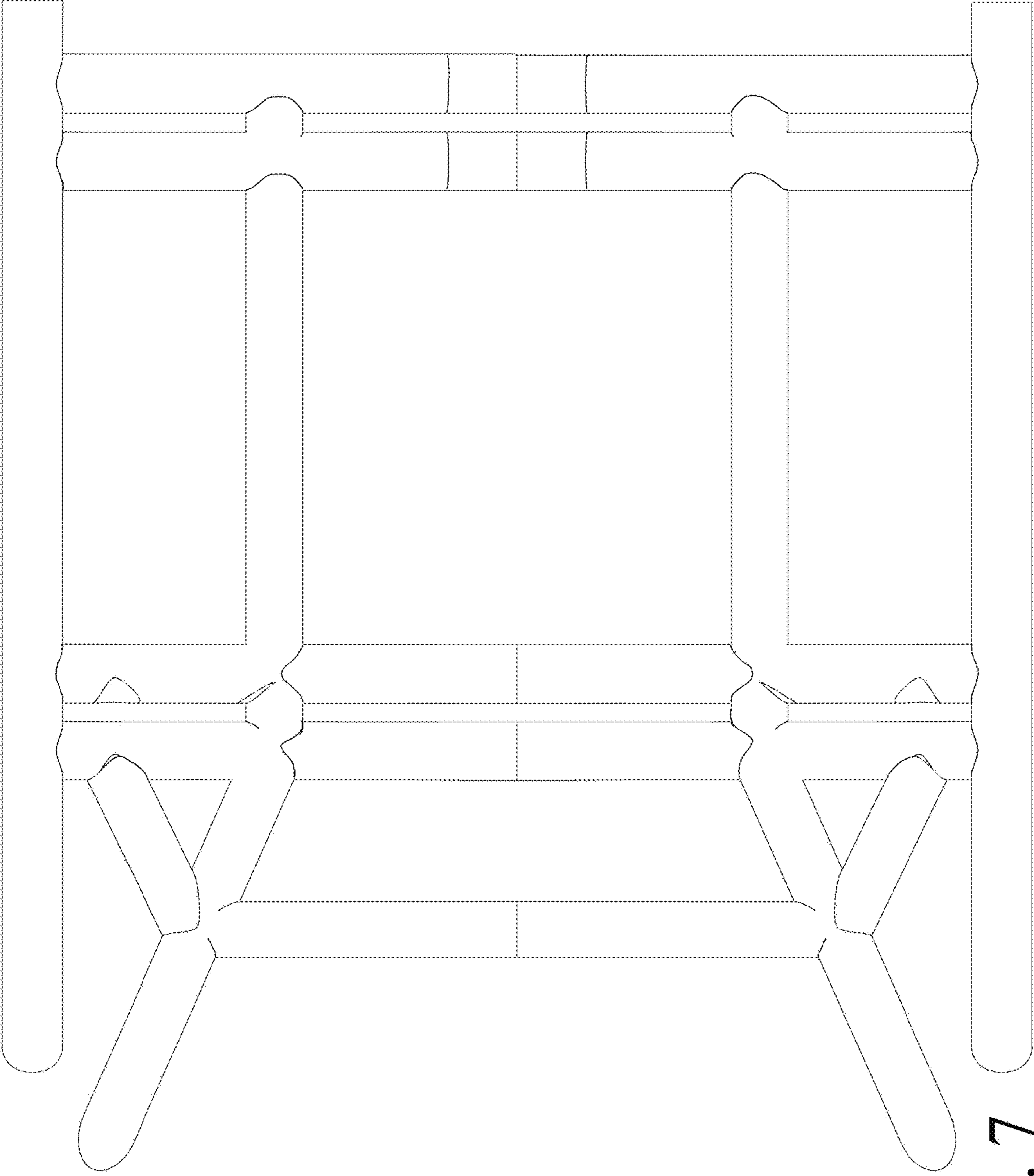


FIG. 7

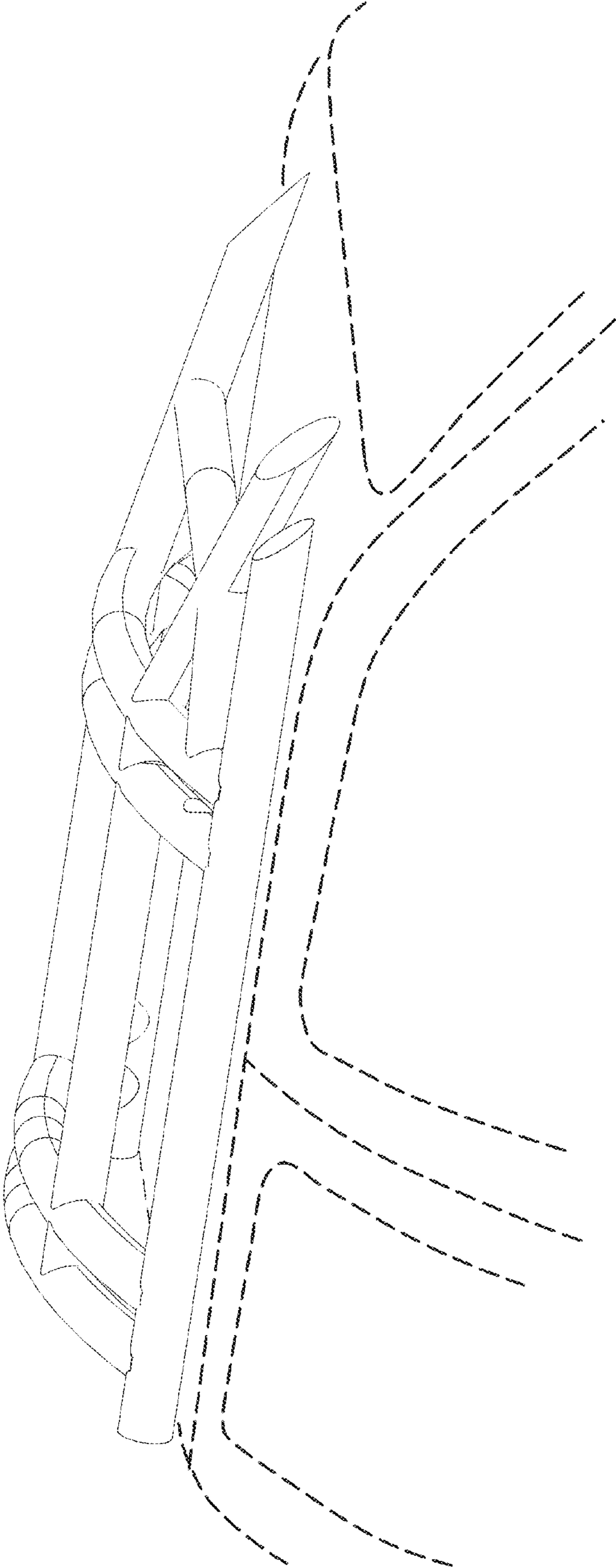


FIG. 8