

US00D969716S

(12) **United States Design Patent**
Liu et al.

(10) **Patent No.:** **US D969,716 S**
(45) **Date of Patent:** **** Nov. 15, 2022**

(54) **VEHICLE WHEEL**

D849,641 S * 5/2019 Tovey D12/209
D878,273 S * 3/2020 Tovey D12/209
D888,640 S * 6/2020 Hough D12/209

(71) Applicant: **CITIC Dicastal Co., Ltd.**,
Qinhuangdao (CN)

(72) Inventors: **Zhichong Liu**, Qinhuangdao (CN);
Shiwen Xu, Qinhuangdao (CN);
Zhijia Zhu, Qinhuangdao (CN); **Zuo Xu**,
Qinhuangdao (CN)

(73) Assignee: **CITIC Dicastal Co., Ltd.**,
Qinhuangdao (CN)

(**) Term: **15 Years**

(21) Appl. No.: **29/781,754**

(22) Filed: **Apr. 30, 2021**

(51) **LOC (13) Cl.** **12-16**

(52) **U.S. Cl.**
USPC **D12/211**

(58) **Field of Classification Search**
USPC D12/204, 210, 211, 213, 419; D21/563
CPC B60B 7/02; B60B 7/04
See application file for complete search history.

(56) **References Cited**

U.S. PATENT DOCUMENTS

D704,119 S * 5/2014 Platto D12/209
D823,770 S * 7/2018 Koenigs D12/209

OTHER PUBLICATIONS

Ebay,10259 Reconditioned OEM Aluminum Wheel, published Sep. 6, 2022, [retrieved on Aug. 30, 2022]. Retrieved from the internet <<https://www.ebay.com/itm/385018150141?epid=16034924202&hash=item59a4debcfd>> (Year: 2022).*

* cited by examiner

Primary Examiner — Joseph Kukella

Assistant Examiner — Lavon M. Amerson

(74) *Attorney, Agent, or Firm* — IPro, PLLC

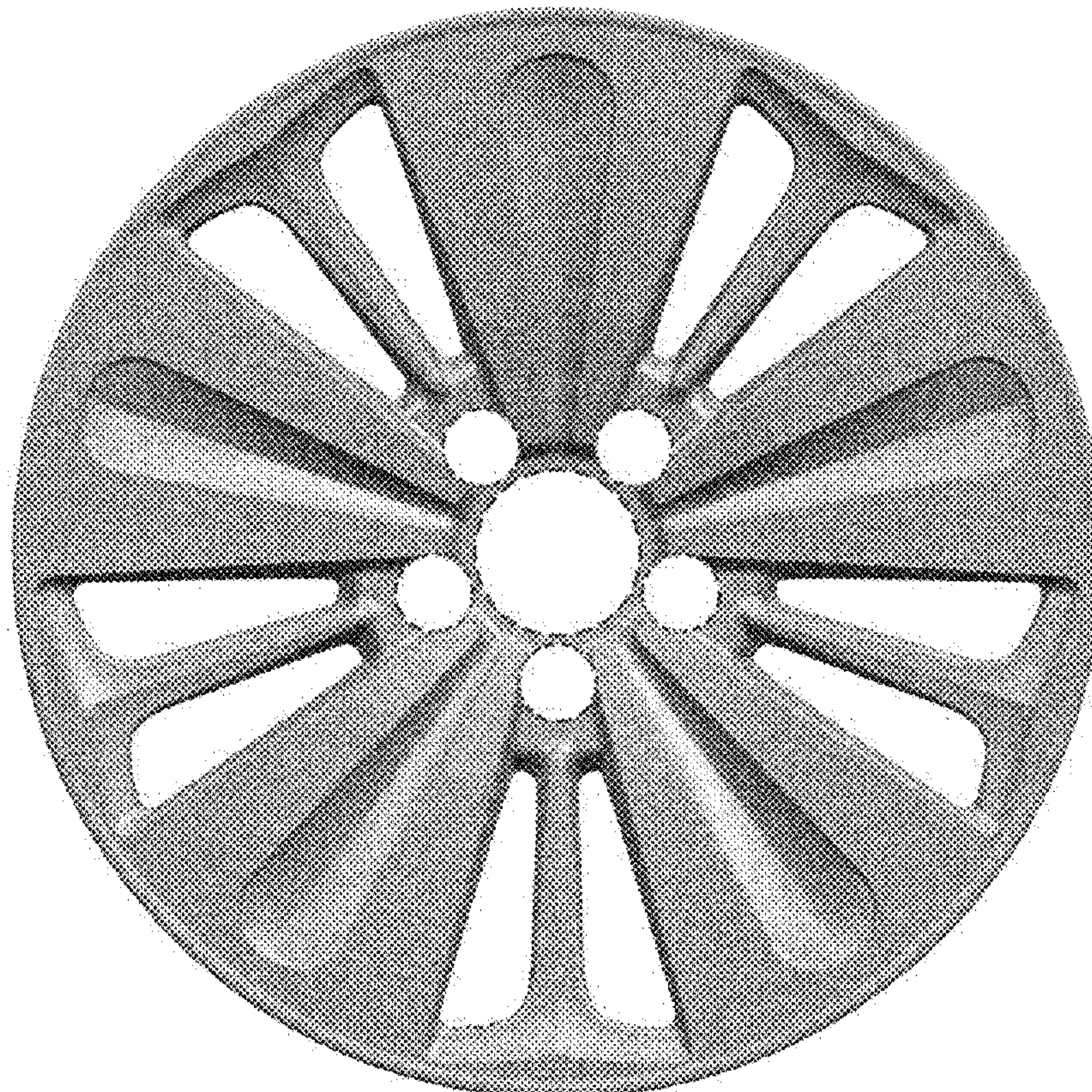
(57) **CLAIM**

The ornamental design for a vehicle wheel, as shown and described.

DESCRIPTION

FIG. 1 is a front view of a vehicle wheel. FIG. 2 is a perspective view of the vehicle wheel; and, FIG. 3 is a left side view of the vehicle wheel. In the drawings the broken lines depict portions of the wheel that form no part of the claimed design.

1 Claim, 3 Drawing Sheets



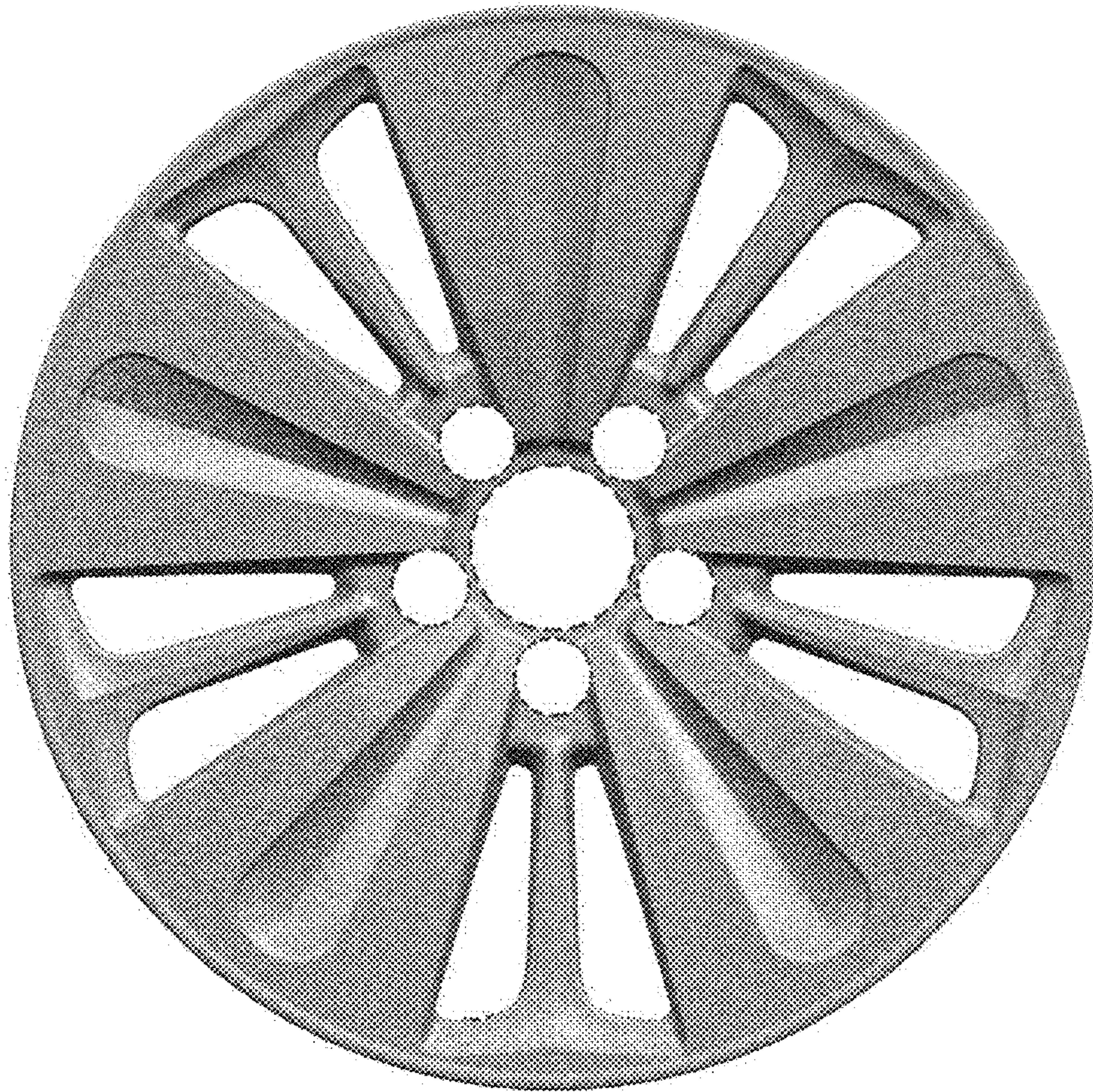


FIG. 1

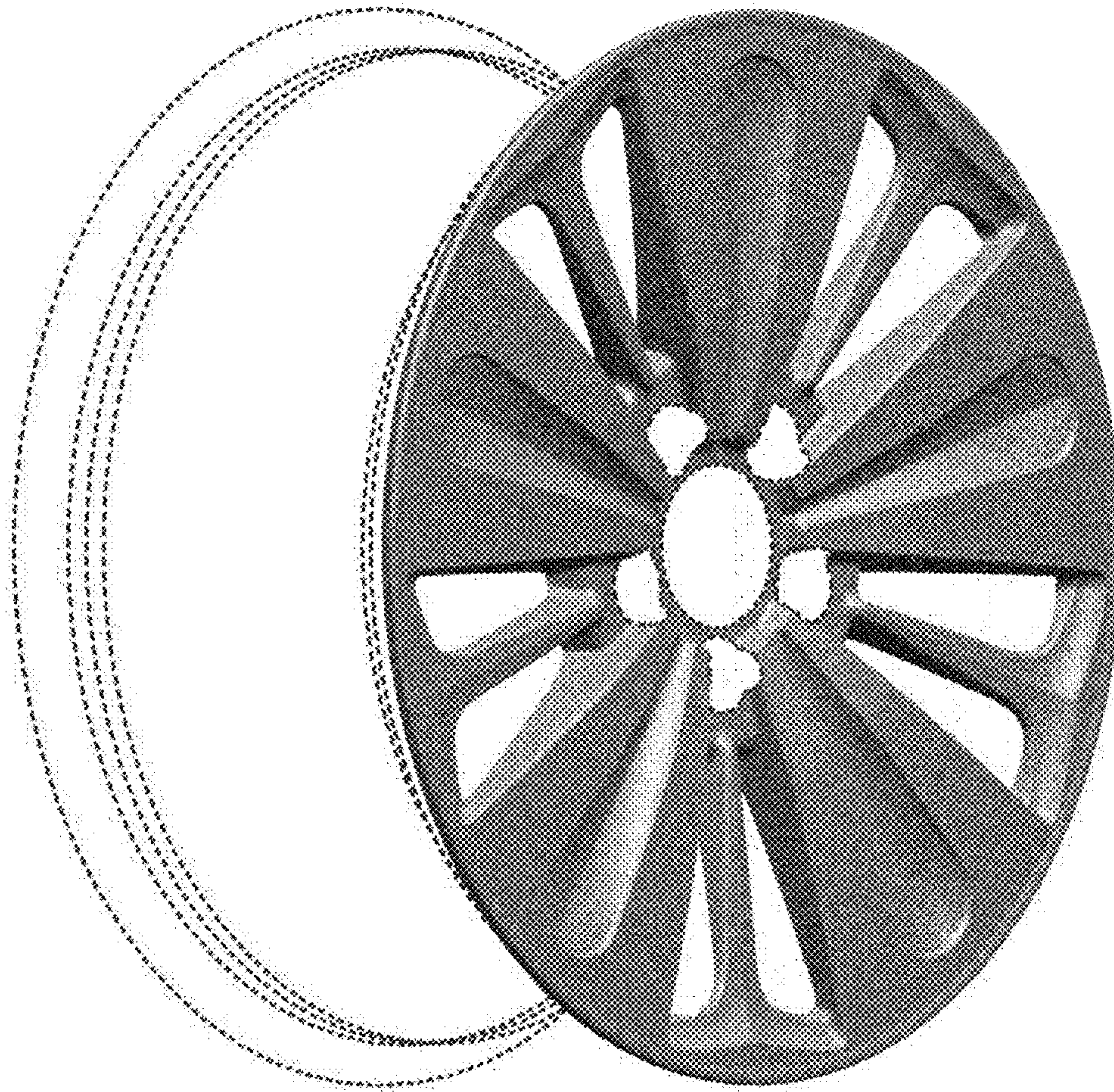


FIG. 2

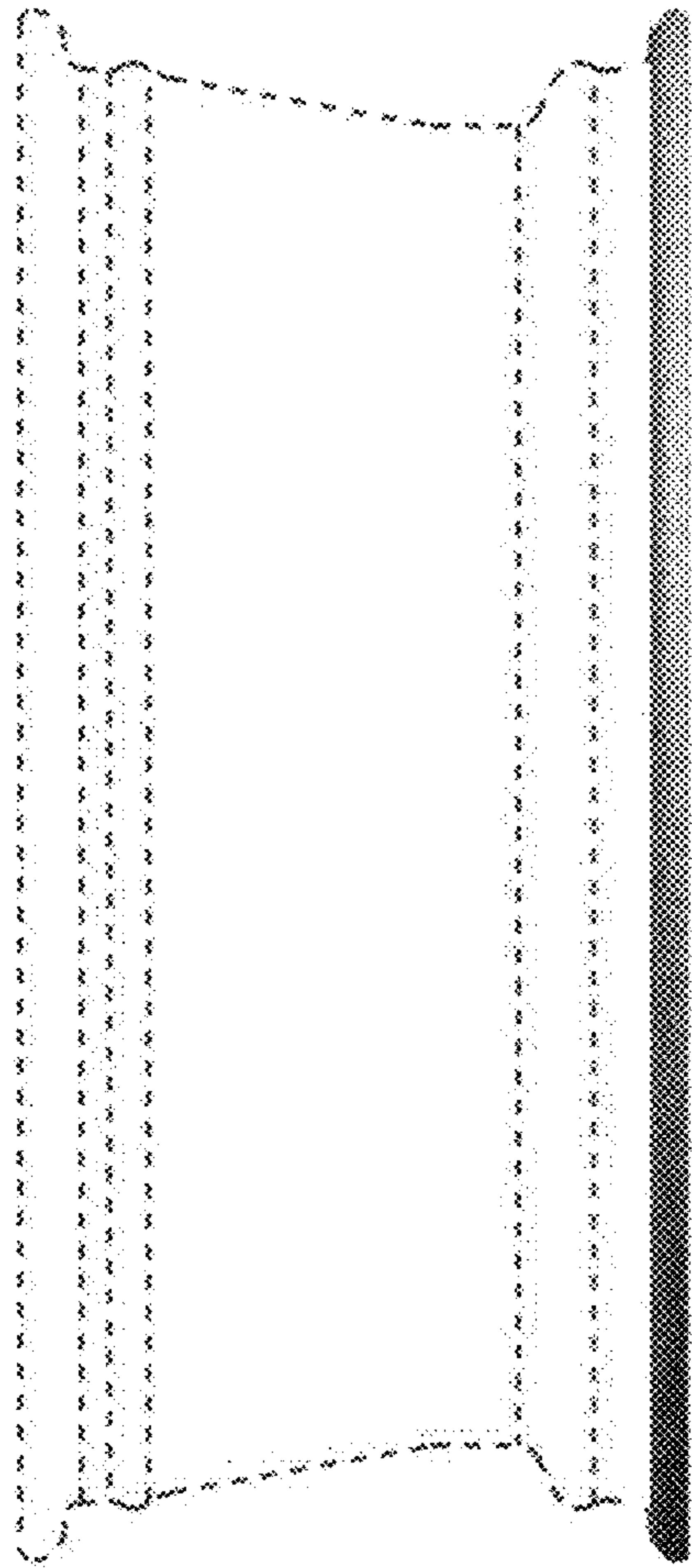


FIG. 3