



US00D969715S

(12) **United States Design Patent** (10) **Patent No.:** **US D969,715 S**
Liu et al. (45) **Date of Patent:** **** Nov. 15, 2022**

(54) **VEHICLE WHEEL** D890,060 S * 7/2020 Buttigieg D12/209
D911,901 S * 3/2021 Liu D12/209
(71) Applicant: **CITIC Dicastal Co., Ltd.,** D924,772 S * 7/2021 Langhals D12/209
Qinhuangdao (CN) D941,210 S * 1/2022 Cho D12/209

(72) Inventors: **Zhichong Liu, Qinhuangdao (CN);**
Shiwen Xu, Qinhuangdao (CN);
Zhijia Zhu, Qinhuangdao (CN); Zuo
Xu, Qinhuangdao (CN)

(73) Assignee: **CITIC Dicastal CO., Ltd., Qinhuangdao**
(CN)

(**) Term: **15 Years**

(21) Appl. No.: **29/781,749**

(22) Filed: **Apr. 30, 2021**

(51) **LOC (13) Cl.** **12-16**

(52) **U.S. Cl.**
USPC **D12/211**

(58) **Field of Classification Search**
USPC D12/204, 210, 211, 213, 419; D21/563
CPC B60B 7/02; B60B 7/04
See application file for complete search history.

(56) **References Cited**

U.S. PATENT DOCUMENTS

D528,957 S * 9/2006 Kim D12/209
D674,330 S * 1/2013 Kito D12/209
D847,069 S * 4/2019 Egan D12/209
D858,402 S * 9/2019 Betancourt D12/209
D885,286 S * 5/2020 Lee D12/209

FOREIGN PATENT DOCUMENTS

EM 008860506-0002 * 2/2022

OTHER PUBLICATIONS

Ebay, Hyundai Genesis TPMS Compatible 19inch OEM Wheel
2012 to 2014, published Aug. 25, 2022[retrieved on Aug. 30, 2022].
Retrieved from the internet<<https://www.ebay.com/itm/234222817620>> (Year: 2022).*

* cited by examiner

Primary Examiner — Joseph Kukella

Assistant Examiner — Lavon M. Amerson

(74) *Attorney, Agent, or Firm* — IPRO, PLLC

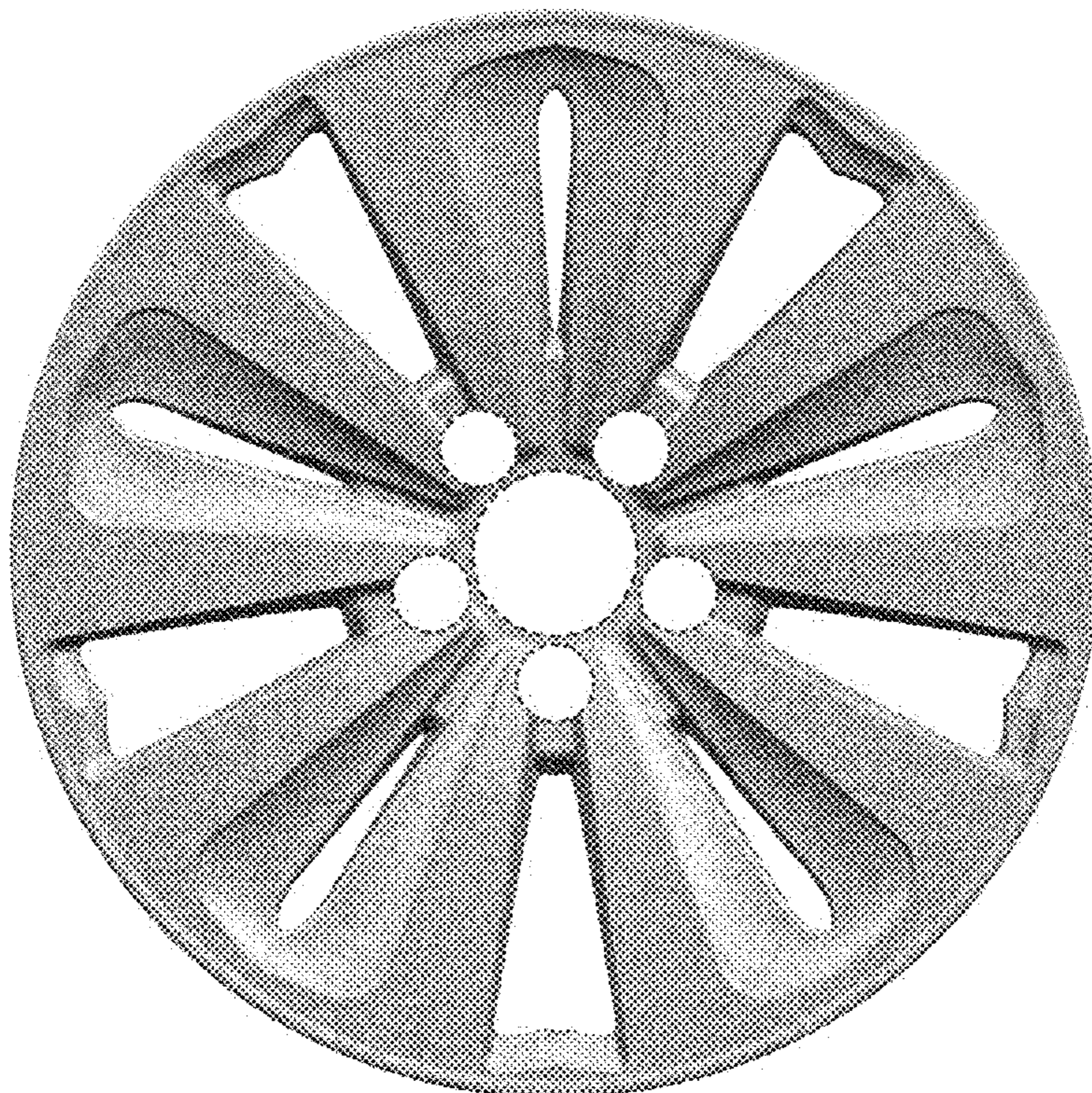
(57) **CLAIM**

The ornamental design for a vehicle wheel, as shown and
described.

DESCRIPTION

FIG. 1 is a front view of a vehicle wheel.
FIG. 2 is a perspective view of the vehicle wheel; and,
FIG. 3 is a left side view of the vehicle wheel.
In the drawings the broken lines depict portions of the wheel
that form no part of the claimed design.

1 Claim, 3 Drawing Sheets



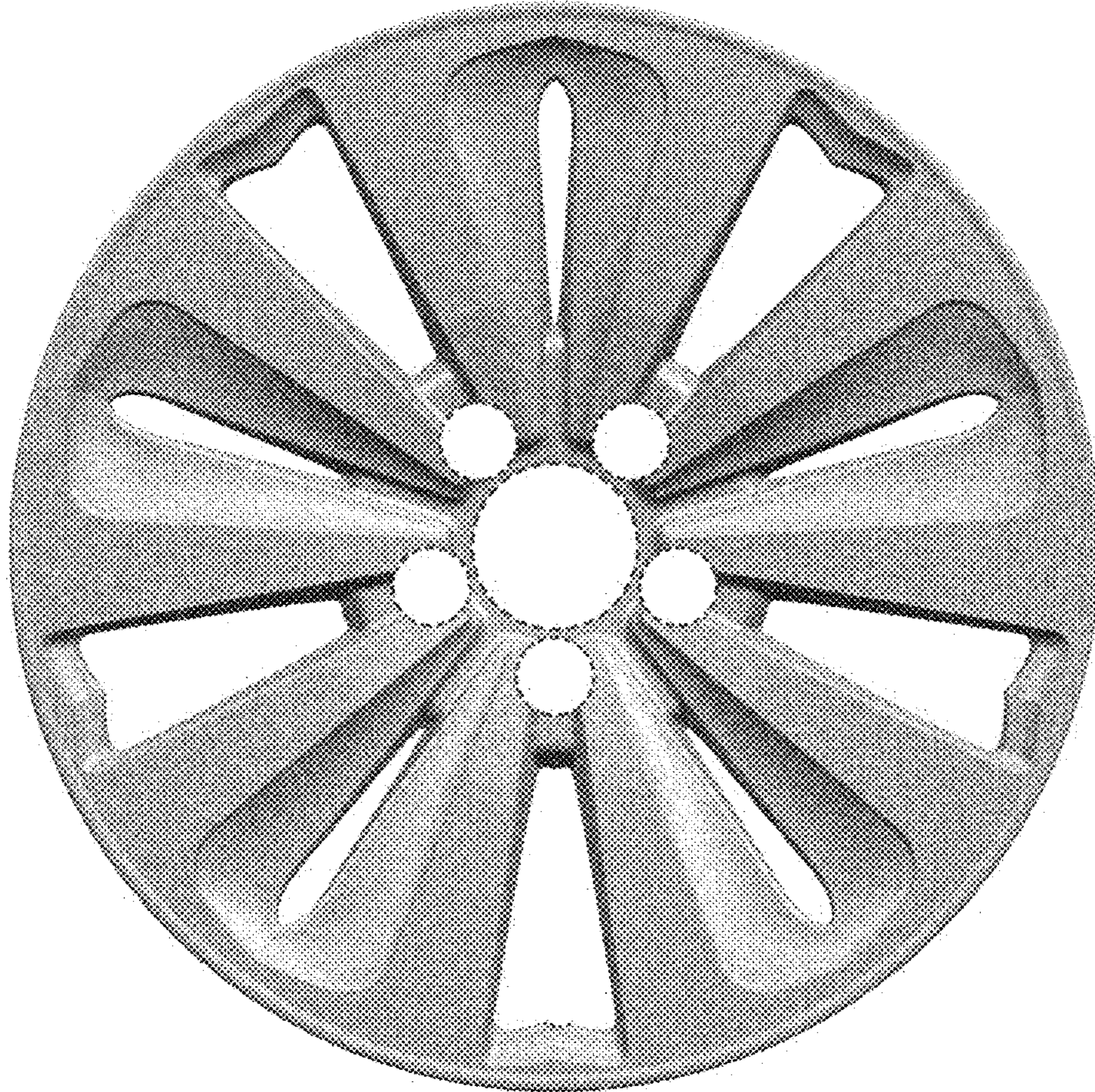


FIG. 1

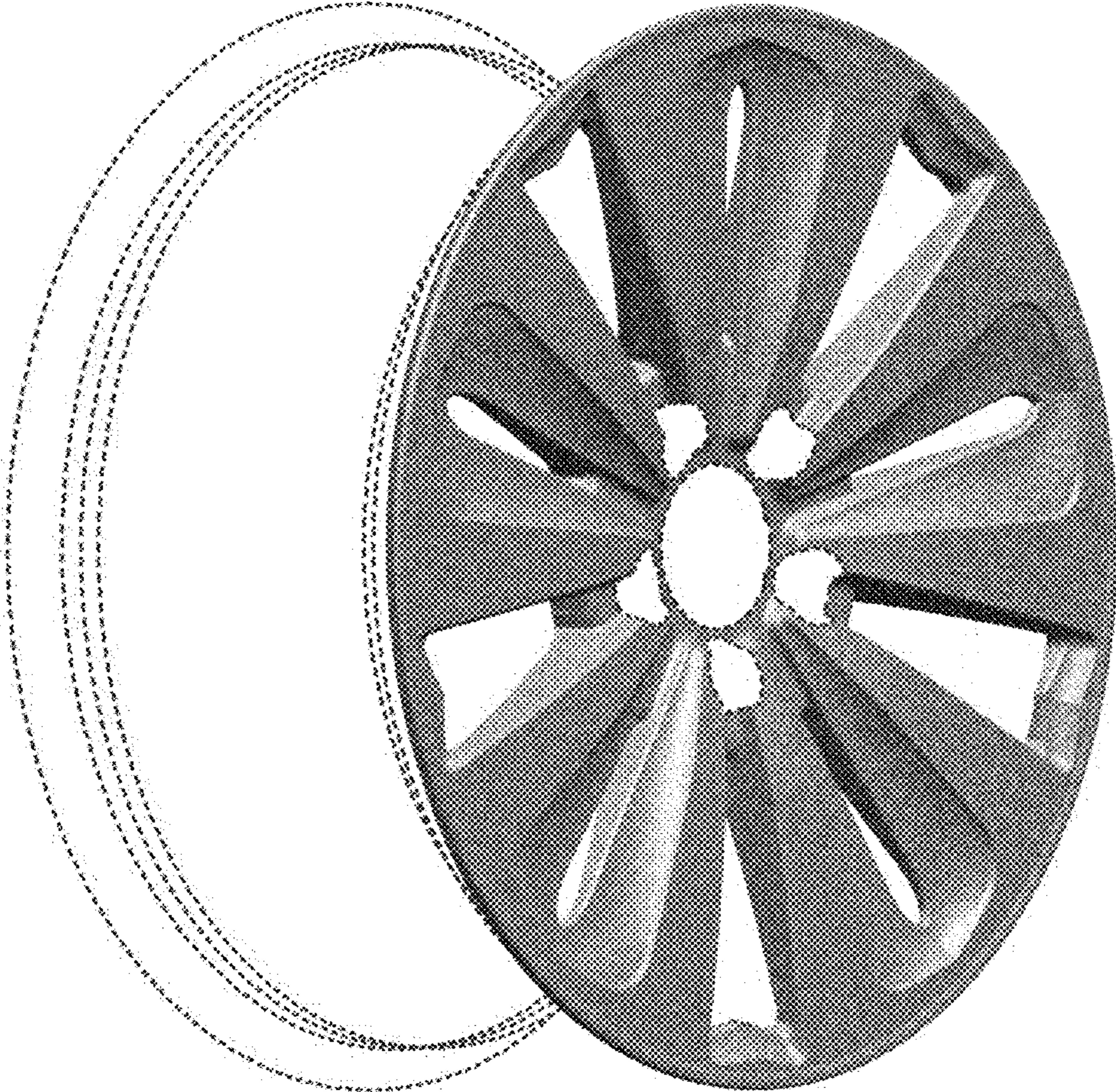


FIG. 2

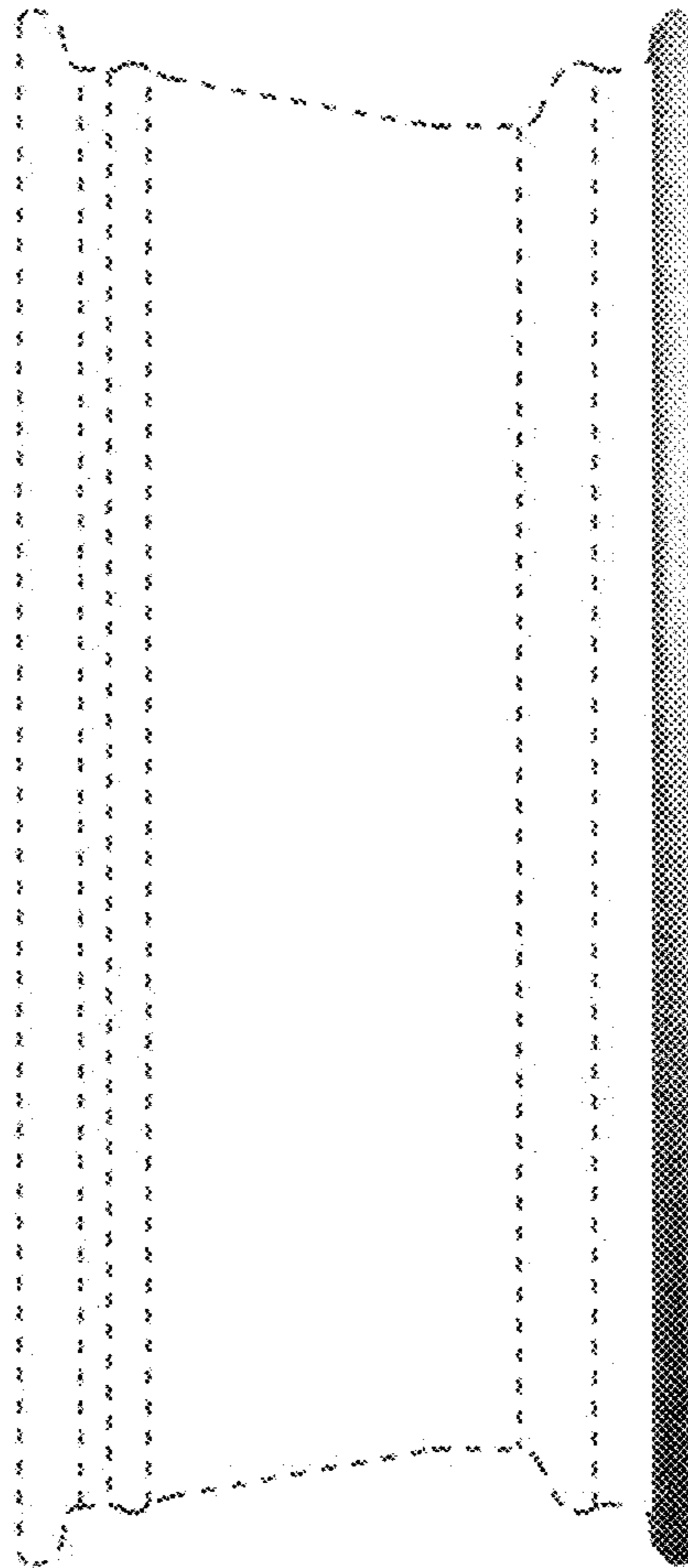


FIG. 3