

US00D969713S

(12) **United States Design Patent**
Liu et al.

(10) **Patent No.:** **US D969,713 S**
(45) **Date of Patent:** **** Nov. 15, 2022**

- (54) **VEHICLE WHEEL**
- (71) Applicant: **CITIC Dicastal Co., Ltd.**,
Qinhuangdao (CN)
- (72) Inventors: **Zhichong Liu**, Qinhuangdao (CN);
Shiwen Xu, Qinhuangdao (CN);
Zhihua Zhu, Qinhuangdao (CN); **Zuo Xu**, Qinhuangdao (CN)
- (73) Assignee: **CITIC Dicastal Co., Ltd.**,
Qinhuangdao (CN)
- (**) Term: **15 Years**
- (21) Appl. No.: **29/781,671**
- (22) Filed: **Apr. 30, 2021**
- (51) **LOC (13) Cl.** **12-16**
- (52) **U.S. Cl.**
USPC **D12/211**
- (58) **Field of Classification Search**
USPC D12/204, 210, 211, 213, 419; D21/563
CPC B60B 7/02; B60B 7/04
See application file for complete search history.

D894,083 S *	8/2020	Liu	D12/209
D894,087 S *	8/2020	Liu	D12/209
D902,113 S *	11/2020	Myrberg	D12/209
D906,921 S *	1/2021	Liu	D12/209
D908,061 S *	1/2021	Liu	D12/209
D911,901 S *	3/2021	Liu	D12/209

OTHER PUBLICATIONS

Ebay, Hyundai Genesis TPMS Compatible 19inch OEM Wheel 2012 to 2014, published Aug. 25, 2022[retrieved on Aug. 30, 2022]. Retrieved from the internet<<https://www.ebay.com/itm/234222817620>> (Year: 2022).*

* cited by examiner

Primary Examiner — Joseph Kukella
Assistant Examiner — Lavon M. Amerson
(74) *Attorney, Agent, or Firm* — IPro, PLLC

(57) **CLAIM**

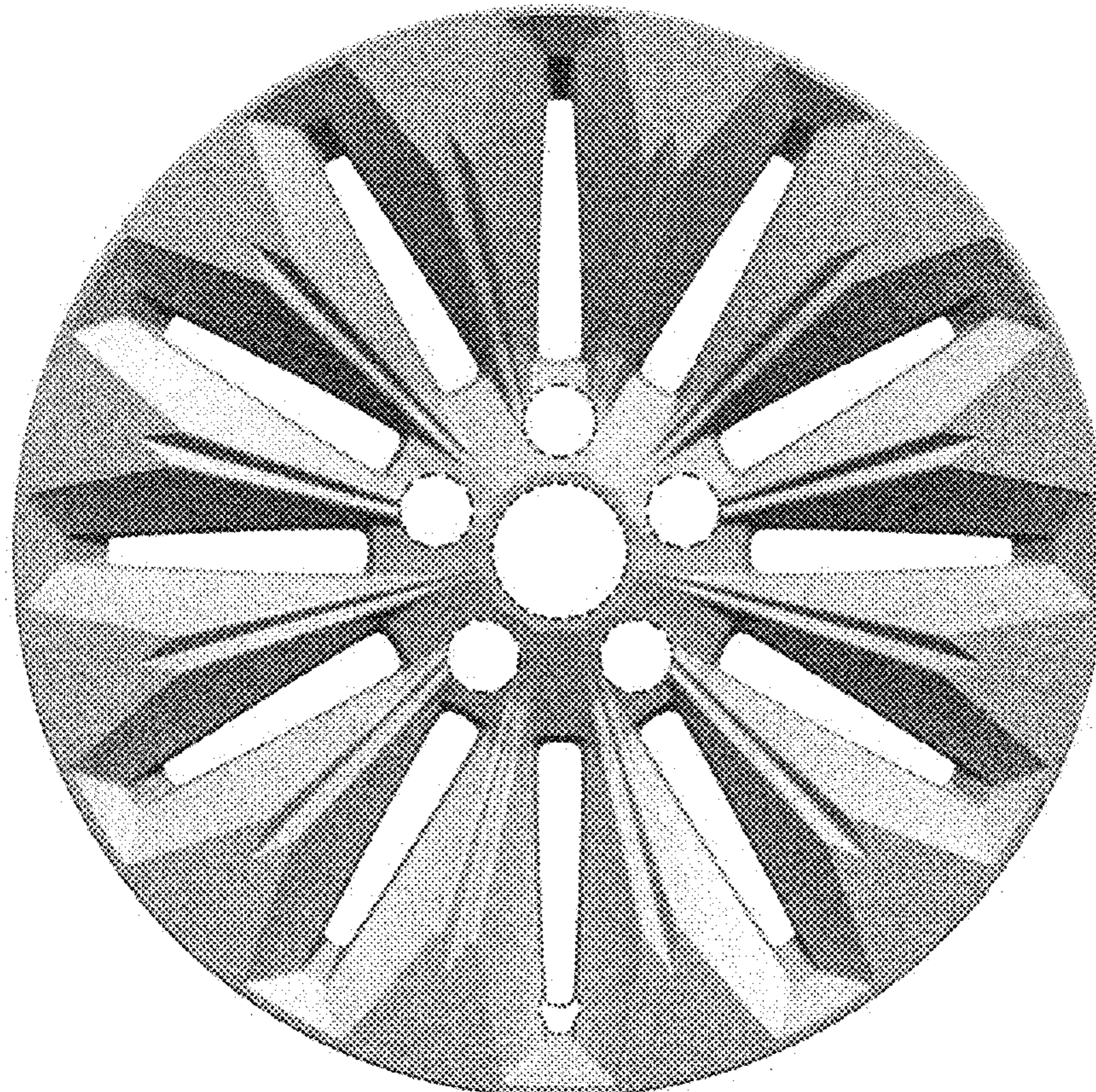
The ornamental design for a vehicle wheel, as shown and described.

DESCRIPTION

FIG. 1 is a front view of a vehicle wheel.
FIG. 2 is a perspective view of the vehicle wheel; and,
FIG. 3 is a left side view of the vehicle wheel.
In the drawings the broken lines depict portions of the wheel that form no part of the claimed design.

1 Claim, 3 Drawing Sheets

- (56) **References Cited**
U.S. PATENT DOCUMENTS
D515,493 S * 2/2006 Schaefers D12/211
D858,402 S * 9/2019 Betancourt D12/209



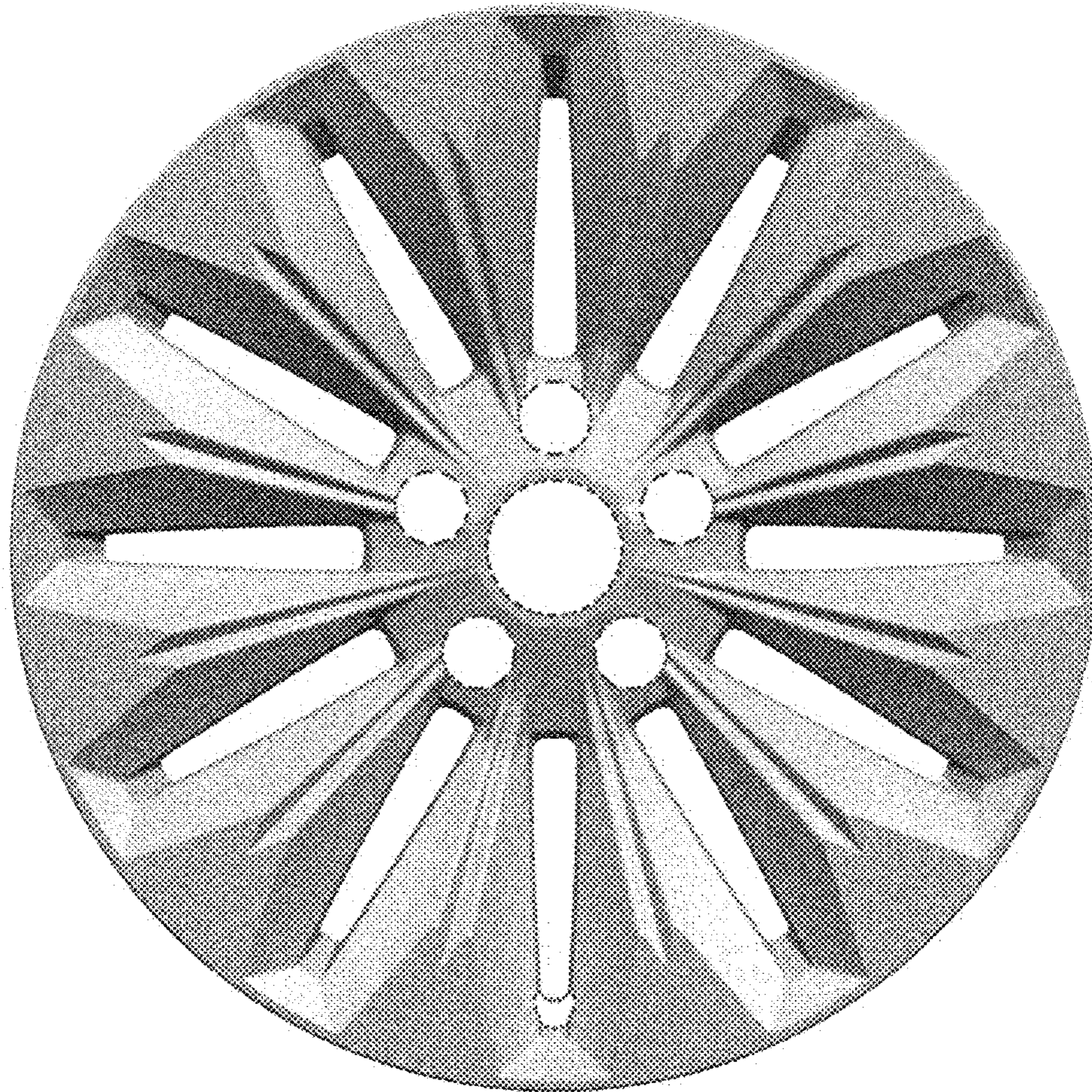


FIG. 1

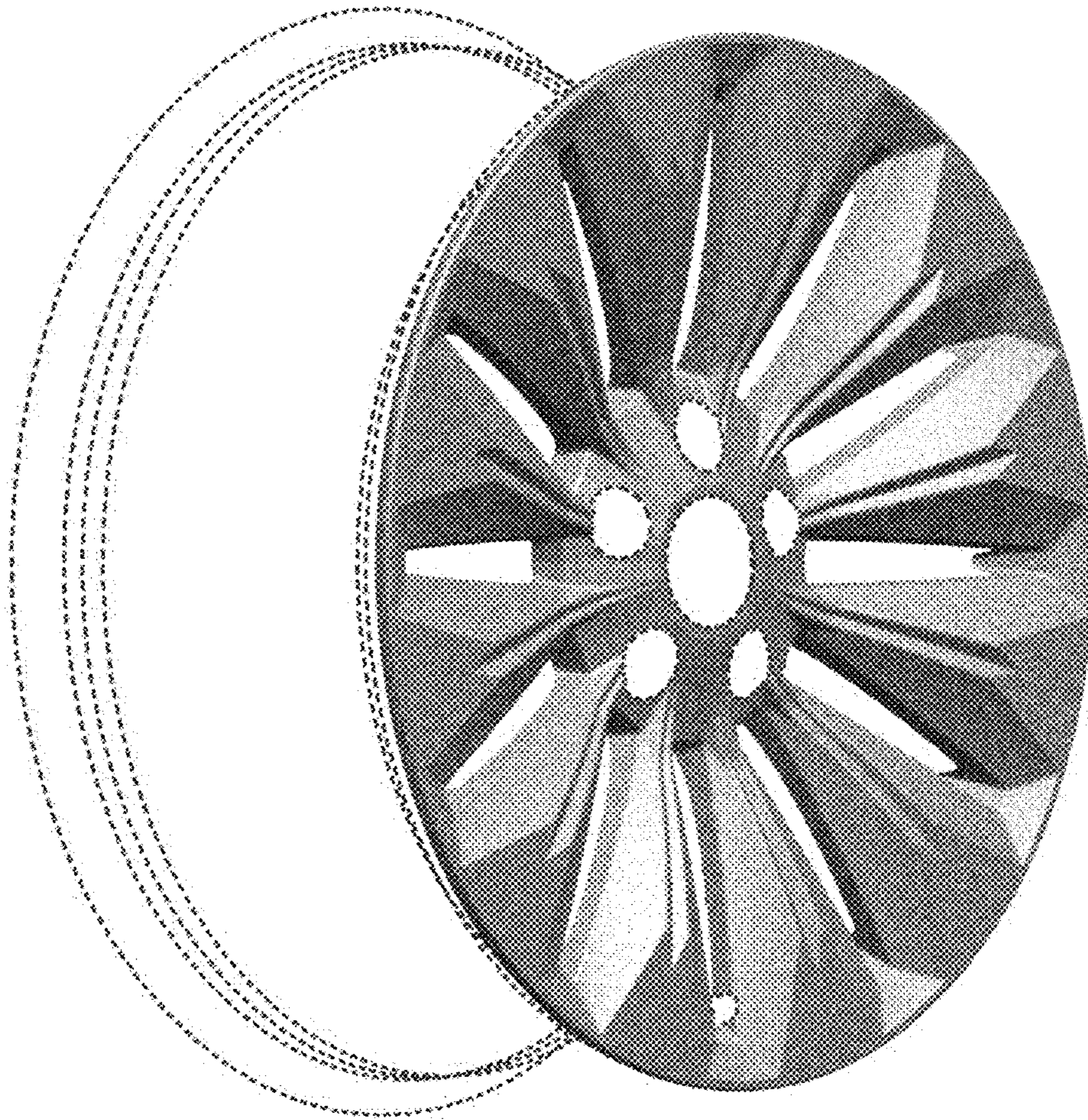


FIG. 2

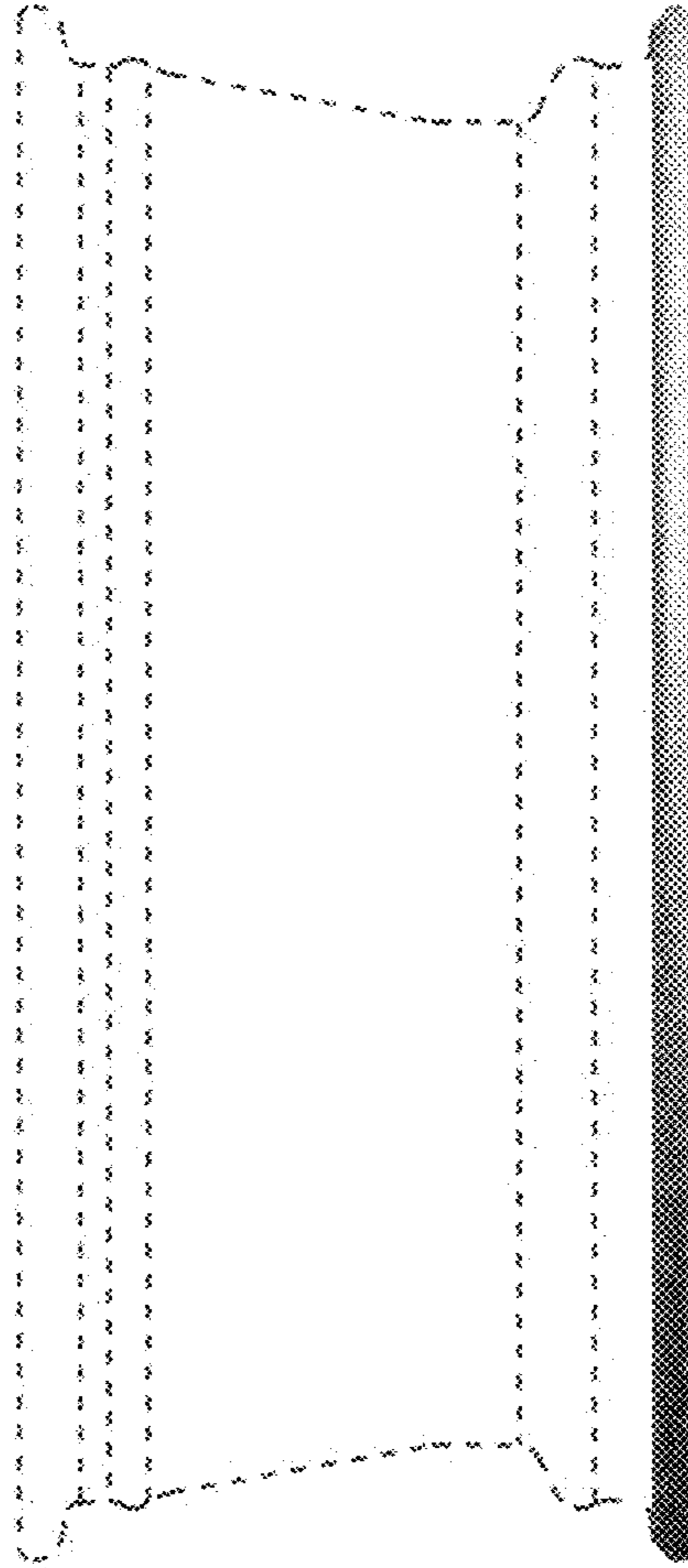


FIG. 3