

US00D969709S

(12) **United States Design Patent**
Liu et al.

(10) **Patent No.:** **US D969,709 S**

(45) **Date of Patent:** **** Nov. 15, 2022**

(54) **VEHICLE WHEEL**

(71) Applicant: **CITIC Dicastal Co., Ltd.**,
Qinhuangdao (CN)

(72) Inventors: **Zhichong Liu**, Qinhuangdao (CN);
Shiwen Xu, Qinhuangdao (CN);
Zhihua Zhu, Qinhuangdao (CN); **Zuo Xu**, Qinhuangdao (CN)

(73) Assignee: **CITIC Dicastal Co., Ltd.**,
Qinhuangdao (CN)

(**) Term: **15 Years**

(21) Appl. No.: **29/781,721**

(22) Filed: **Apr. 30, 2021**

(51) **LOC (13) Cl.** **12-16**

(52) **U.S. Cl.**
USPC **D12/209**

(58) **Field of Classification Search**
USPC D12/204-213; D21/563
CPC B60B 7/00; B60B 7/02; B60B 7/04; B60B 7/01;
B60B 7/06; B60B 3/02; B60B 3/04; B60B 3/06; B60B 3/10; B60B 1/00;
B60B 1/08; B60B 1/10; B60B 1/12

See application file for complete search history.

(56) **References Cited**

U.S. PATENT DOCUMENTS

D454,106 S *	3/2002	Hodges	D12/209
D656,078 S *	3/2012	Hans	D12/211
D684,100 S *	6/2013	Chan	D12/209
D736,688 S *	8/2015	Simpson	D12/209
D862,612 S *	10/2019	Sprowl	D21/563
D883,890 S *	5/2020	Metros	D12/209
D892,015 S *	8/2020	Mueller	D12/209
D894,085 S *	8/2020	Liu	D12/209
D896,724 S *	9/2020	Valencia Pollex	D12/209

* cited by examiner

Primary Examiner — Calvin E Vansant

(74) *Attorney, Agent, or Firm* — IPro, PLLC

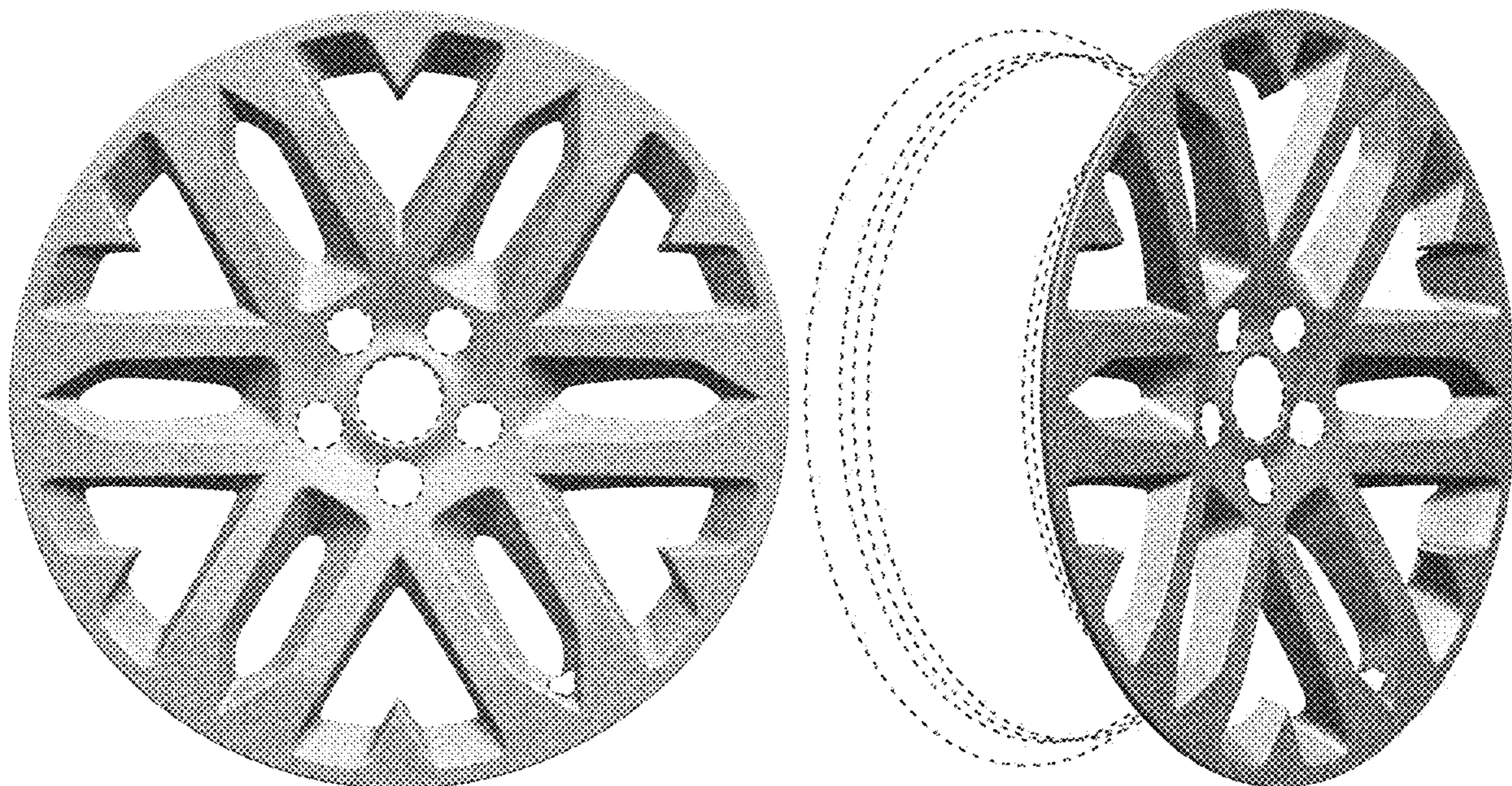
(57) **CLAIM**

The ornamental design for a vehicle wheel, as shown and described.

DESCRIPTION

FIG. 1 is a front view of a vehicle wheel.
FIG. 2 is a perspective view of the vehicle wheel; and,
FIG. 3 is a left side view of the vehicle wheel.
In the drawings the broken lines depict portions of the wheel that form no part of the claimed design.

1 Claim, 3 Drawing Sheets



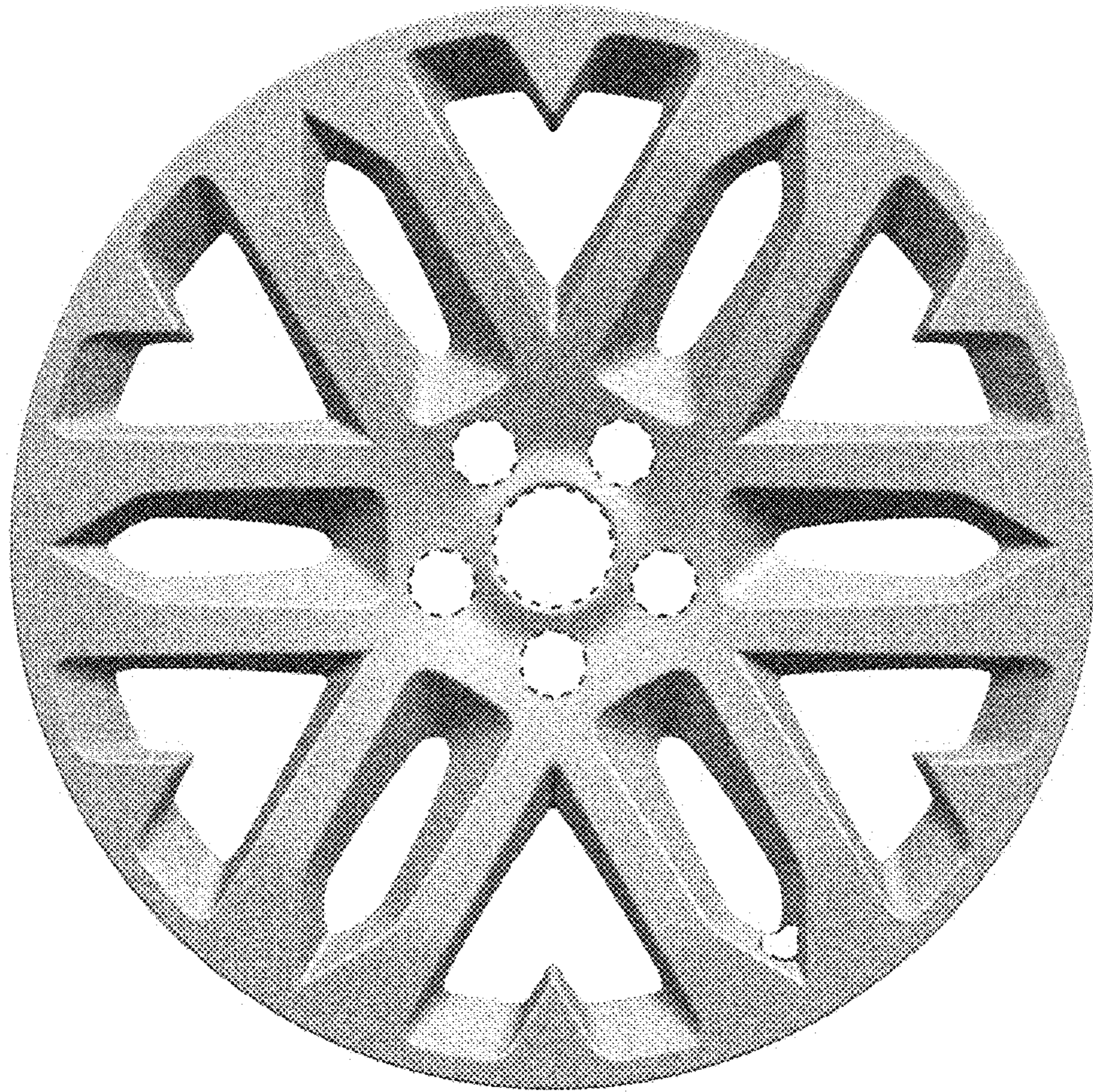


FIG. 1

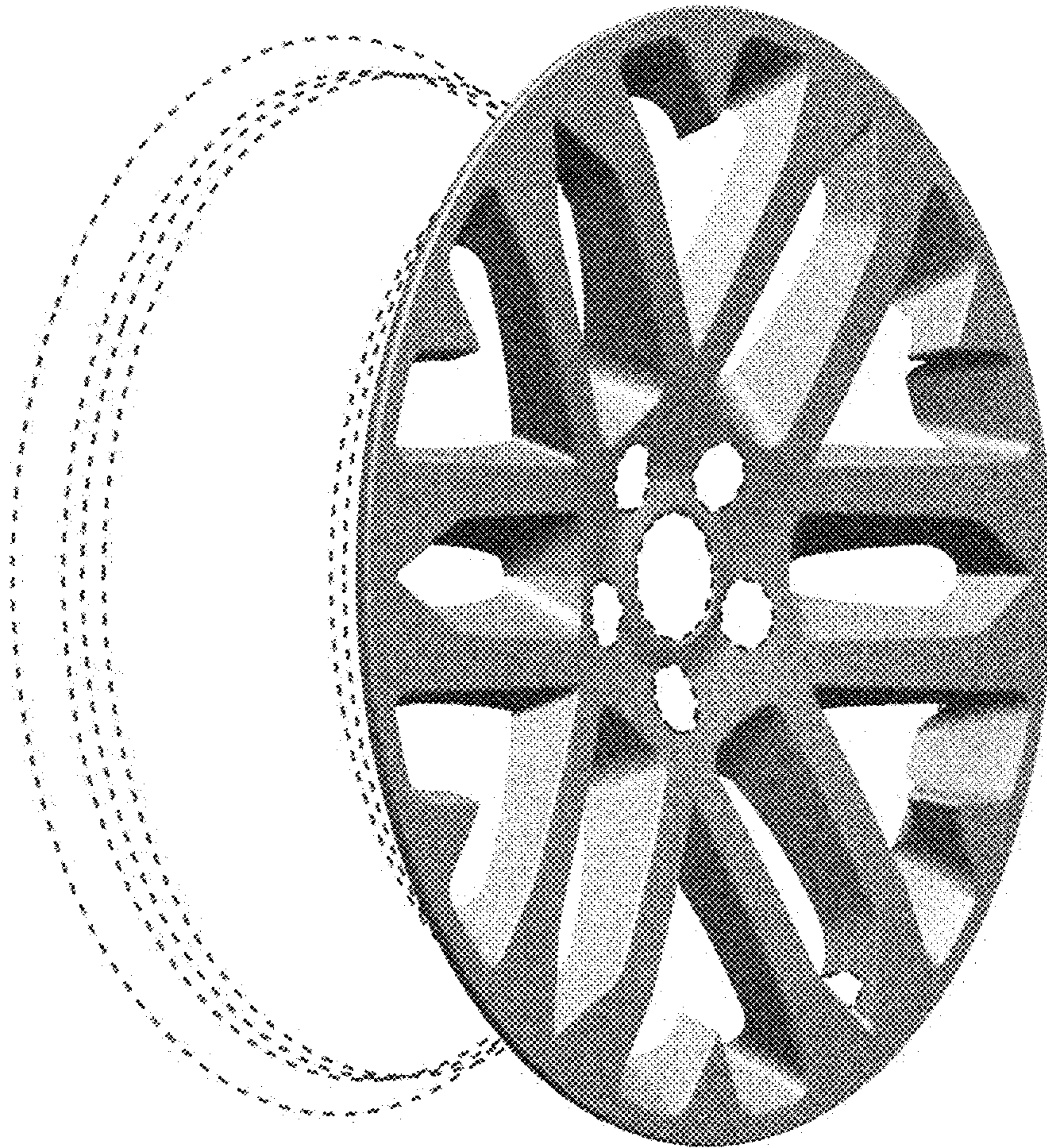


FIG. 2

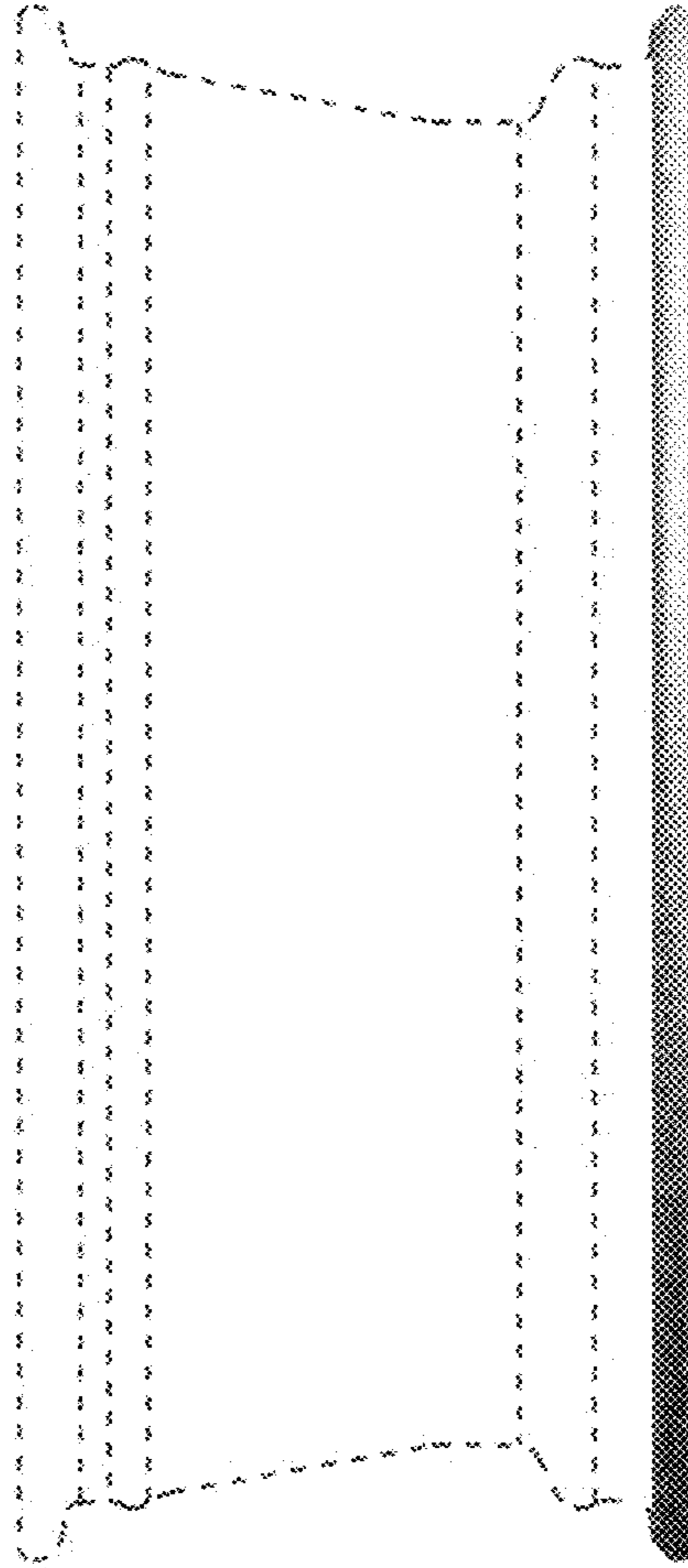


FIG. 3