



US00D969708S

(12) **United States Design Patent**  
**Liu et al.**

(10) **Patent No.:** **US D969,708 S**

(45) **Date of Patent:** **\*\* Nov. 15, 2022**

(54) **VEHICLE WHEEL**

(71) Applicant: **CITIC Dicastal Co., Ltd.**,  
Qinhuangdao (CN)

(72) Inventors: **Zhichong Liu**, Qinhuangdao (CN);  
**Shiwen Xu**, Qinhuangdao (CN);  
**Zhijia Zhu**, Qinhuangdao (CN); **Zuo Xu**,  
Qinhuangdao (CN)

(73) Assignee: **CITIC Dicastal Co., Ltd.**,  
Qinhuangdao (CN)

(\*\*) Term: **15 Years**

(21) Appl. No.: **29/781,714**

(22) Filed: **Apr. 30, 2021**

(51) **LOC (13) Cl.** ..... **12-16**

(52) **U.S. Cl.**  
USPC ..... **D12/209**

(58) **Field of Classification Search**  
USPC ..... D12/204–213; D21/563  
CPC .... B60B 7/00; B60B 7/02; B60B 7/04; B60B  
7/01; B60B 7/06; B60B 3/02; B60B 3/04;  
B60B 3/06; B60B 3/10; B60B 1/00;  
B60B 1/08; B60B 1/10; B60B 1/12  
See application file for complete search history.

(56) **References Cited**

**U.S. PATENT DOCUMENTS**

D520,933 S \* 5/2006 Pfeiffer ..... D12/211  
D539,722 S \* 4/2007 Pfeiffer ..... D12/211  
D544,427 S \* 6/2007 Pfeiffer ..... D12/211

D585,009 S \* 1/2009 Rak ..... D12/211  
D593,022 S \* 5/2009 Forster ..... D12/211  
D620,419 S \* 7/2010 Lamm ..... D12/209  
D635,905 S \* 4/2011 Toth ..... D12/211  
D660,766 S \* 5/2012 Gotschke ..... D12/209  
D663,671 S \* 7/2012 Song ..... D12/211  
D682,763 S \* 5/2013 Song ..... D12/211  
D690,250 S \* 9/2013 Stolz ..... D12/211  
D705,152 S \* 5/2014 Nakamura ..... D12/209  
D724,513 S \* 3/2015 Wolff ..... D12/209  
D725,017 S \* 3/2015 Harriton ..... D12/209  
D820,185 S \* 6/2018 Mielke ..... D12/211  
D852,708 S \* 7/2019 Lucas ..... D12/211  
D881,781 S \* 4/2020 Tomasson ..... D12/209  
D883,173 S \* 5/2020 Woodhouse ..... D12/209  
D886,703 S \* 6/2020 Williams ..... D12/209  
D889,357 S \* 7/2020 Lee ..... D12/209  
D890,061 S \* 7/2020 Platto ..... D12/209  
D892,019 S \* 8/2020 Grand ..... D12/209  
D912,596 S \* 3/2021 Bernoni ..... D12/211

\* cited by examiner

*Primary Examiner* — Calvin E Vansant

(74) *Attorney, Agent, or Firm* — IPro, PLLC

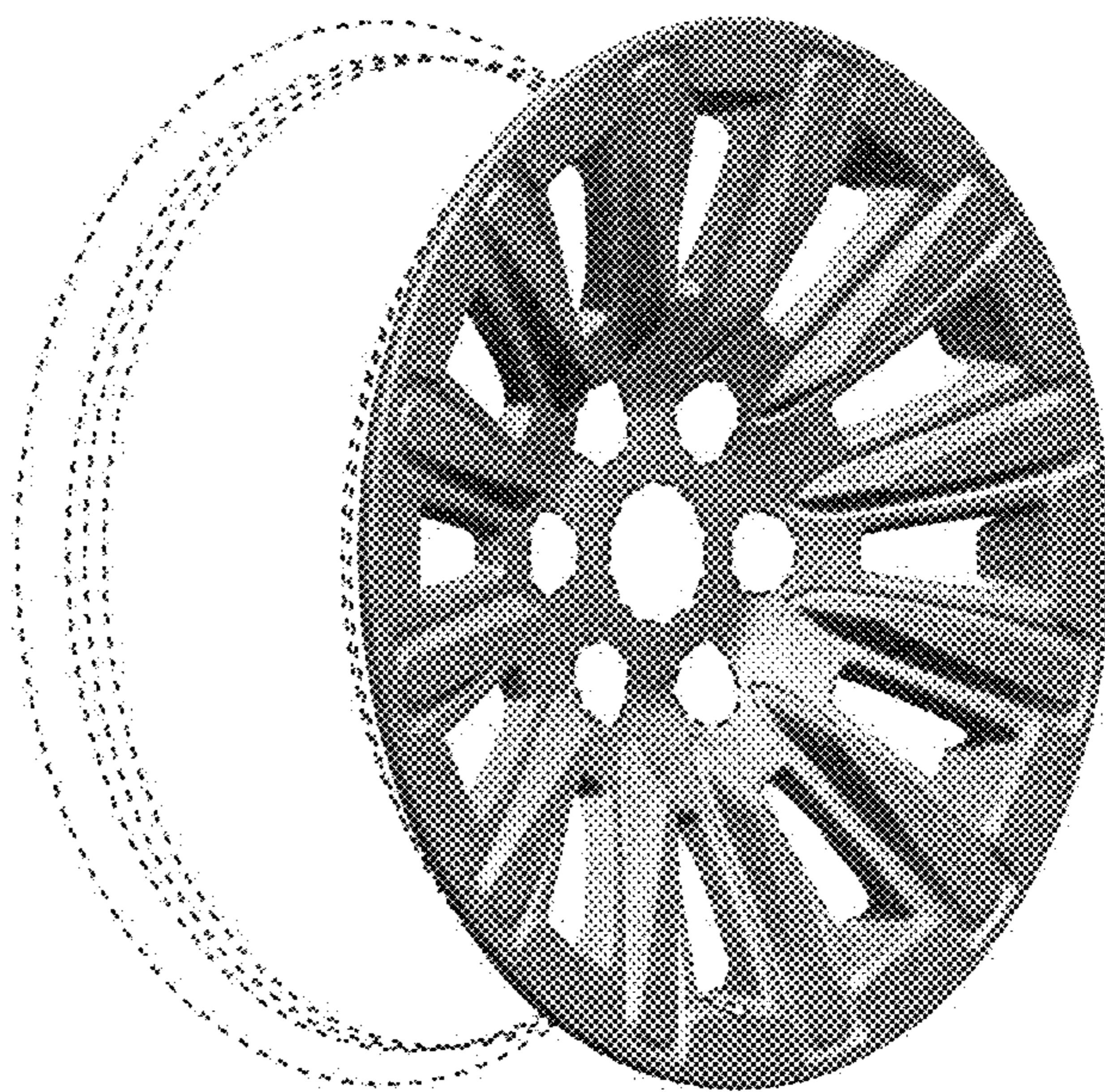
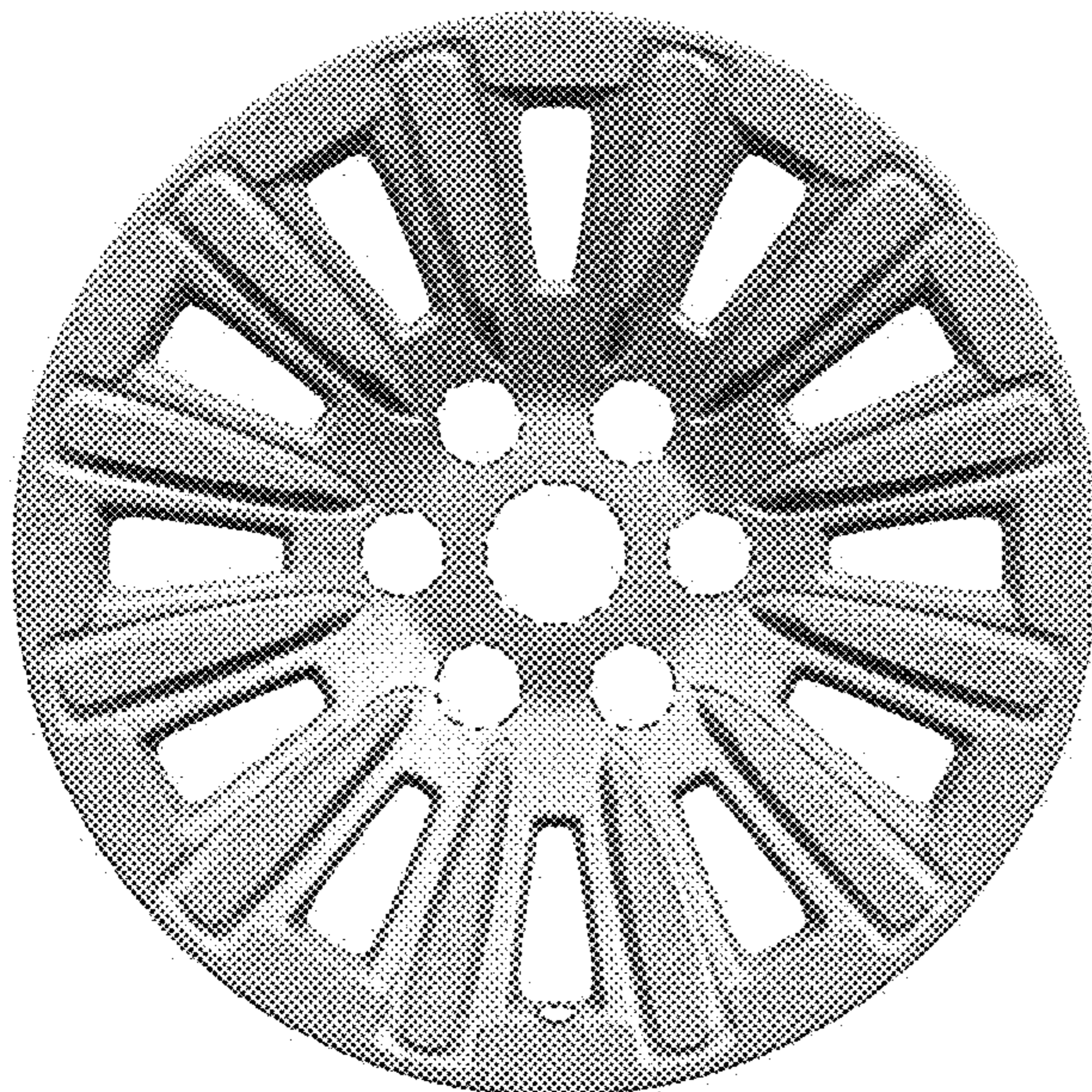
(57) **CLAIM**

The ornamental design for a vehicle wheel, as shown and described.

**DESCRIPTION**

FIG. 1 is a front view of a vehicle wheel.  
FIG. 2 is a perspective view of the vehicle wheel; and,  
FIG. 3 is a left side view of the vehicle wheel.  
In the drawings the broken lines depict portions of the wheel that form no part of the claimed design.

**1 Claim, 3 Drawing Sheets**



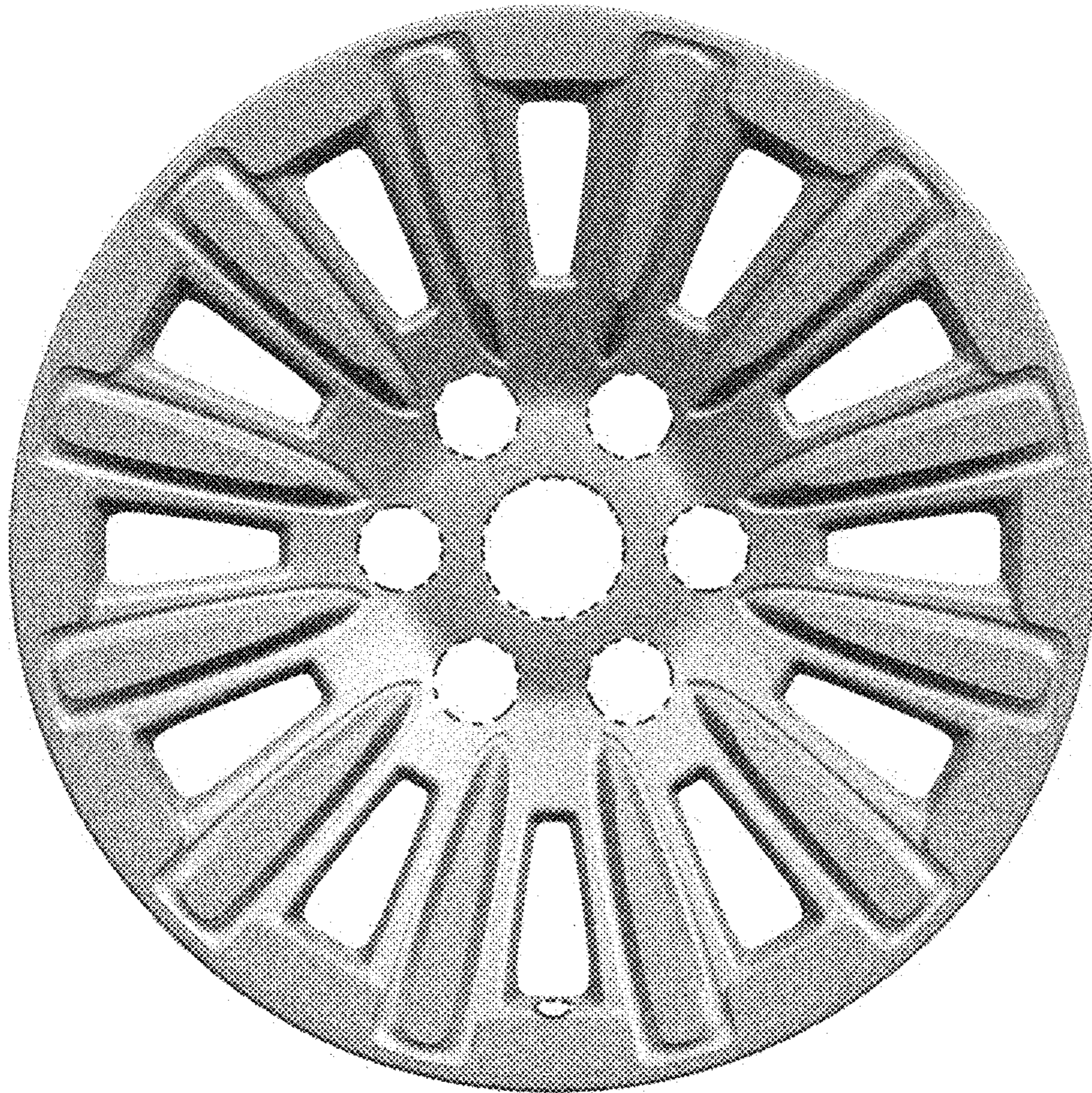


FIG. 1

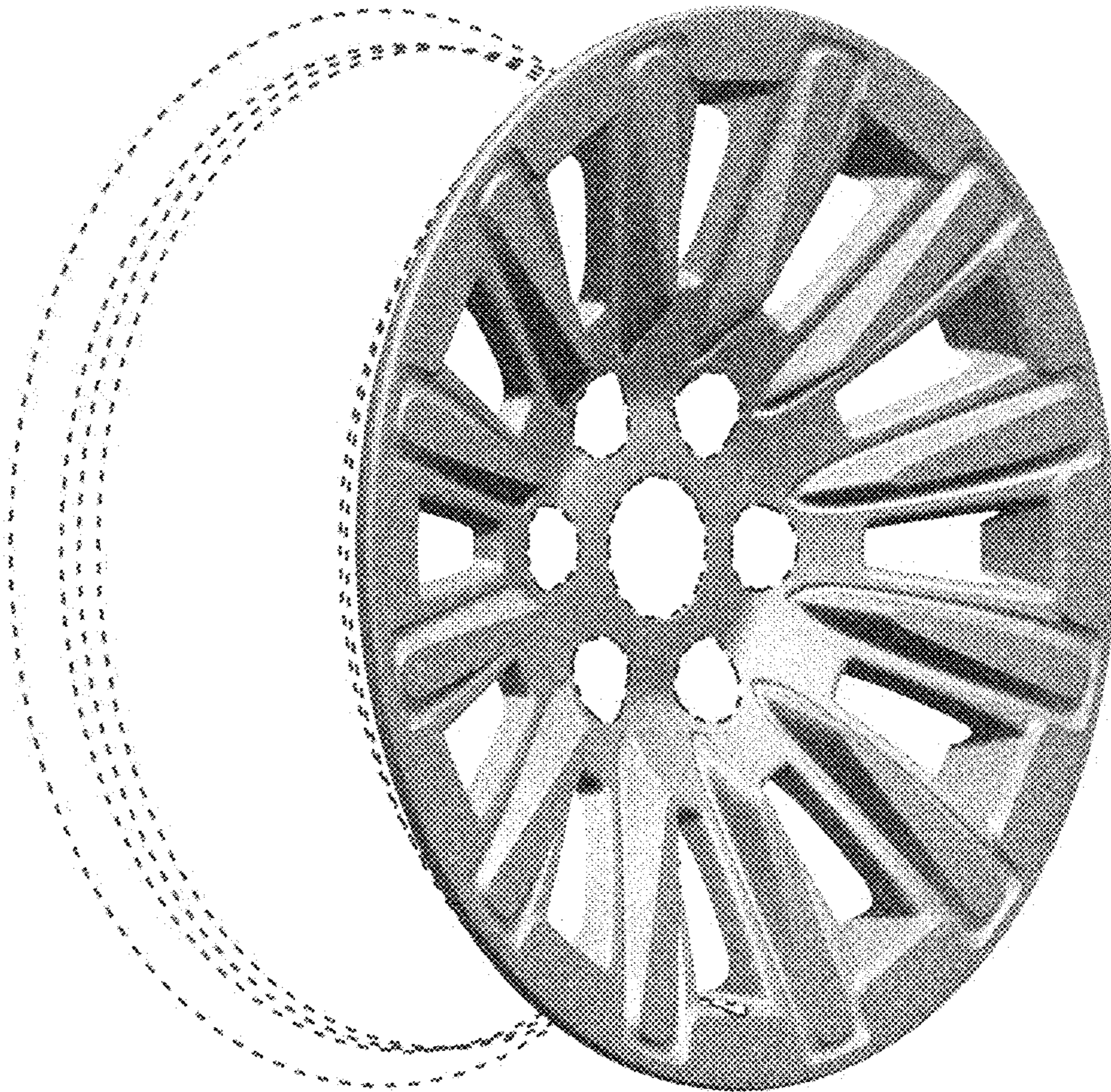


FIG. 2

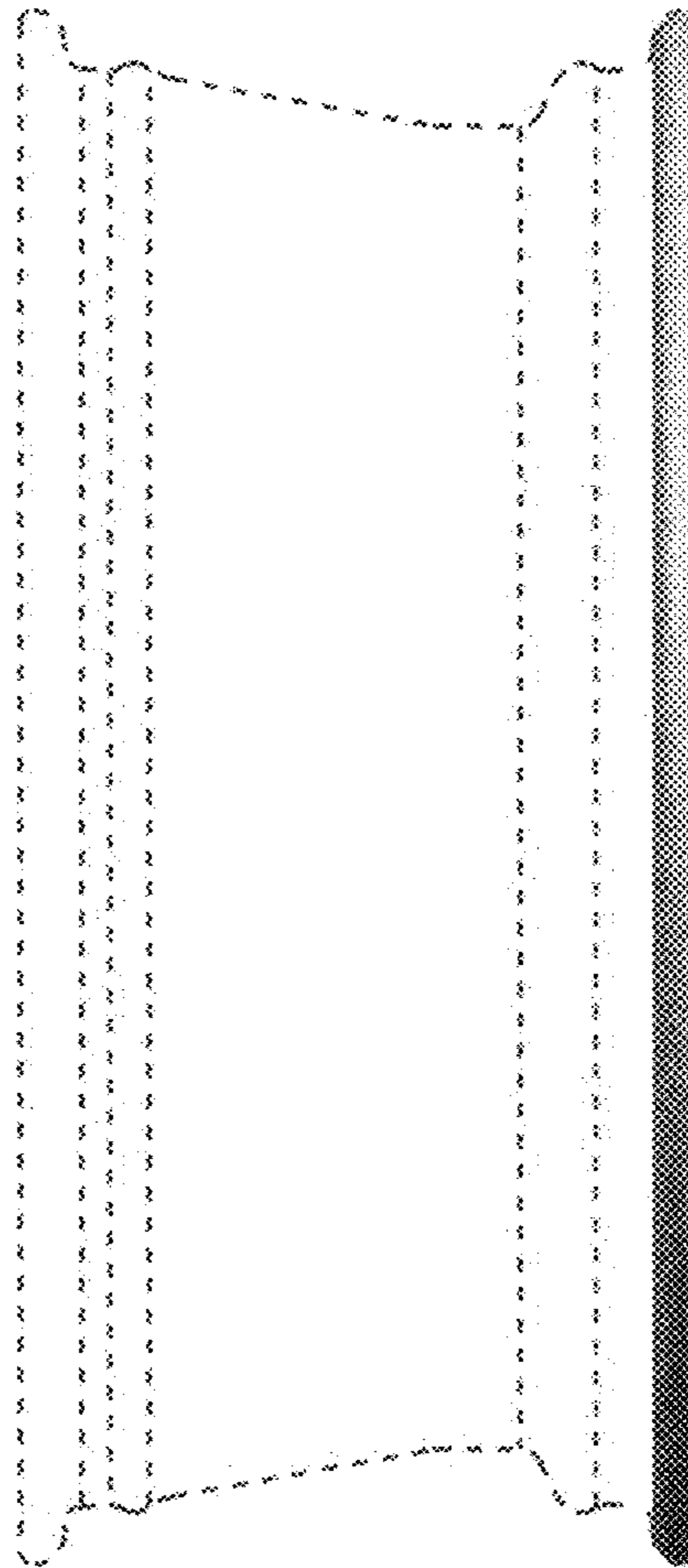


FIG. 3