



US00D969706S

(12) **United States Design Patent**  
**Liu et al.**

(10) **Patent No.:** **US D969,706 S**

(45) **Date of Patent:** **\*\* Nov. 15, 2022**

(54) **VEHICLE WHEEL**

(71) Applicant: **CITIC Dicastal Co., Ltd.**,  
Qinhuangdao (CN)

(72) Inventors: **Zhichong Liu**, Qinhuangdao (CN);  
**Shiwen Xu**, Qinhuangdao (CN);  
**Zhihua Zhu**, Qinhuangdao (CN); **Zuo Xu**, Qinhuangdao (CN)

(73) Assignee: **CITIC Dicastal Co., Ltd.**,  
Qinhuangdao (CN)

(\*\*) Term: **15 Years**

(21) Appl. No.: **29/781,659**

(22) Filed: **Apr. 30, 2021**

(51) **LOC (13) Cl.** ..... **12-16**

(52) **U.S. Cl.**  
USPC ..... **D12/209**

(58) **Field of Classification Search**  
USPC ..... D12/204-213; D21/563  
CPC .... B60B 7/00; B60B 7/02; B60B 7/04; B60B 7/01;  
B60B 7/06; B60B 3/02; B60B 3/04; B60B 3/06; B60B 3/10; B60B 1/00;  
B60B 1/08; B60B 1/10; B60B 1/12

See application file for complete search history.

(56) **References Cited**

U.S. PATENT DOCUMENTS

D371,761 S *	7/1996	Abbott .....	D12/209
D751,484 S *	3/2016	Zhao .....	D12/209
D788,004 S *	5/2017	Mielke .....	D12/209
D839,811 S *	2/2019	Shen .....	D12/209
D847,070 S *	4/2019	Grewer .....	D12/209
D869,366 S *	12/2019	Imazato .....	D12/209
D887,939 S *	6/2020	Hammoud .....	D12/209
D893,389 S *	8/2020	Liu .....	D12/209
D932,415 S *	10/2021	Kraljevic .....	D12/209

\* cited by examiner

*Primary Examiner* — Calvin E Vansant

(74) *Attorney, Agent, or Firm* — IPro, PLLC

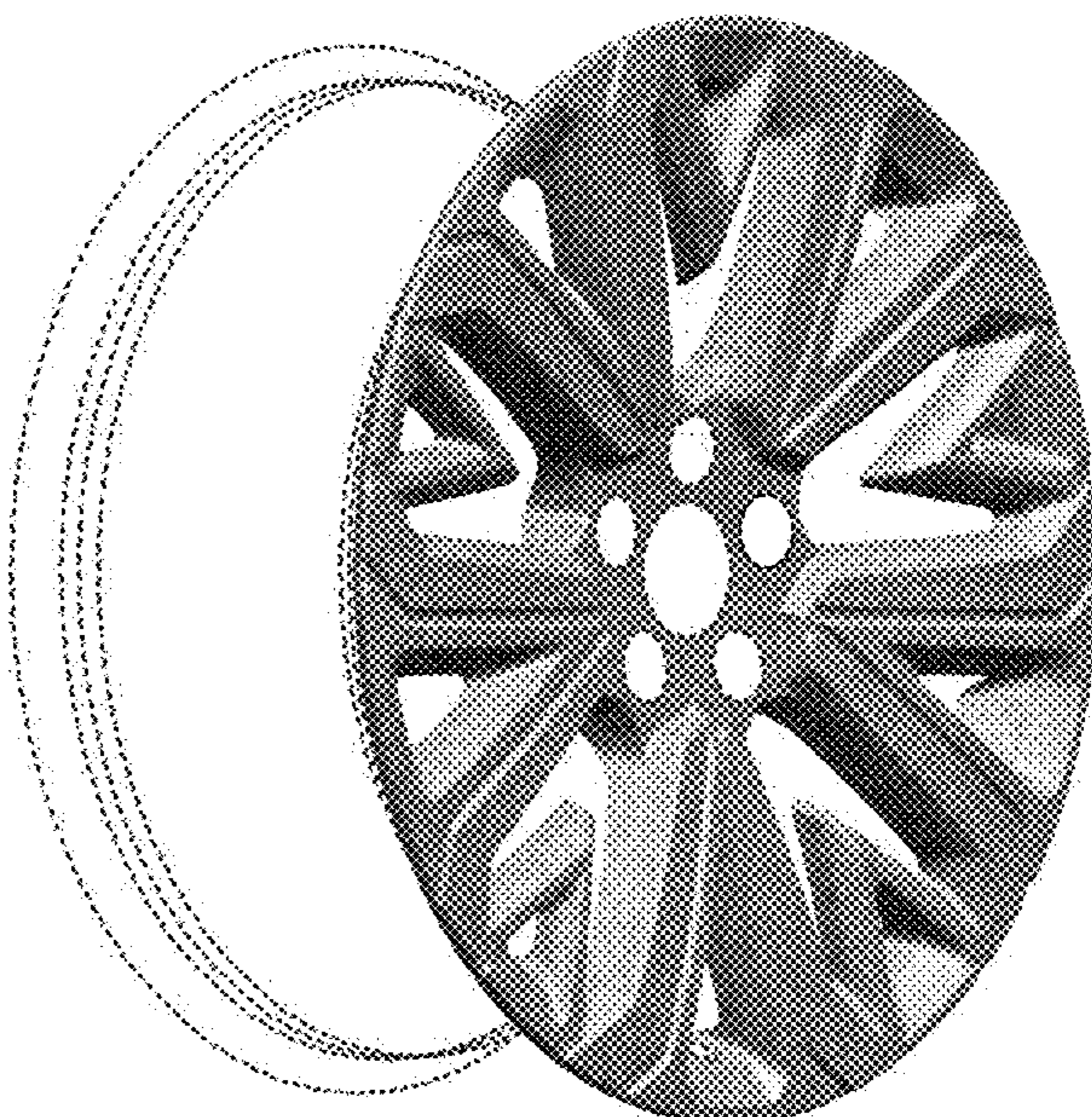
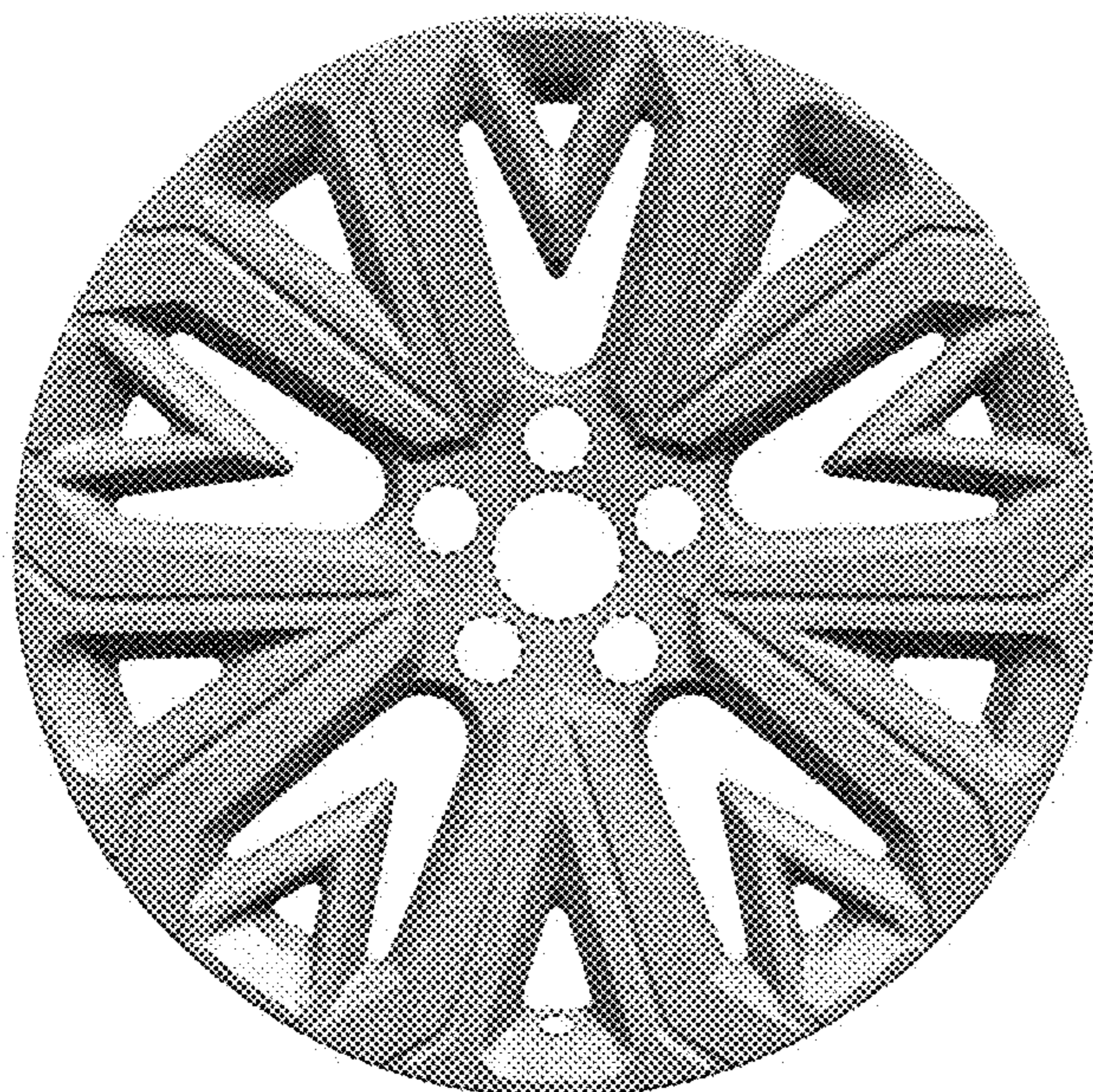
(57) **CLAIM**

The ornamental design for a vehicle wheel, as shown and described.

**DESCRIPTION**

FIG. 1 is a front view of a vehicle wheel.  
FIG. 2 is a perspective view of the vehicle wheel; and,  
FIG. 3 is a left side view of the vehicle wheel.  
In the drawings the broken lines depict portions of the wheel that form no part of the claimed design.

**1 Claim, 3 Drawing Sheets**



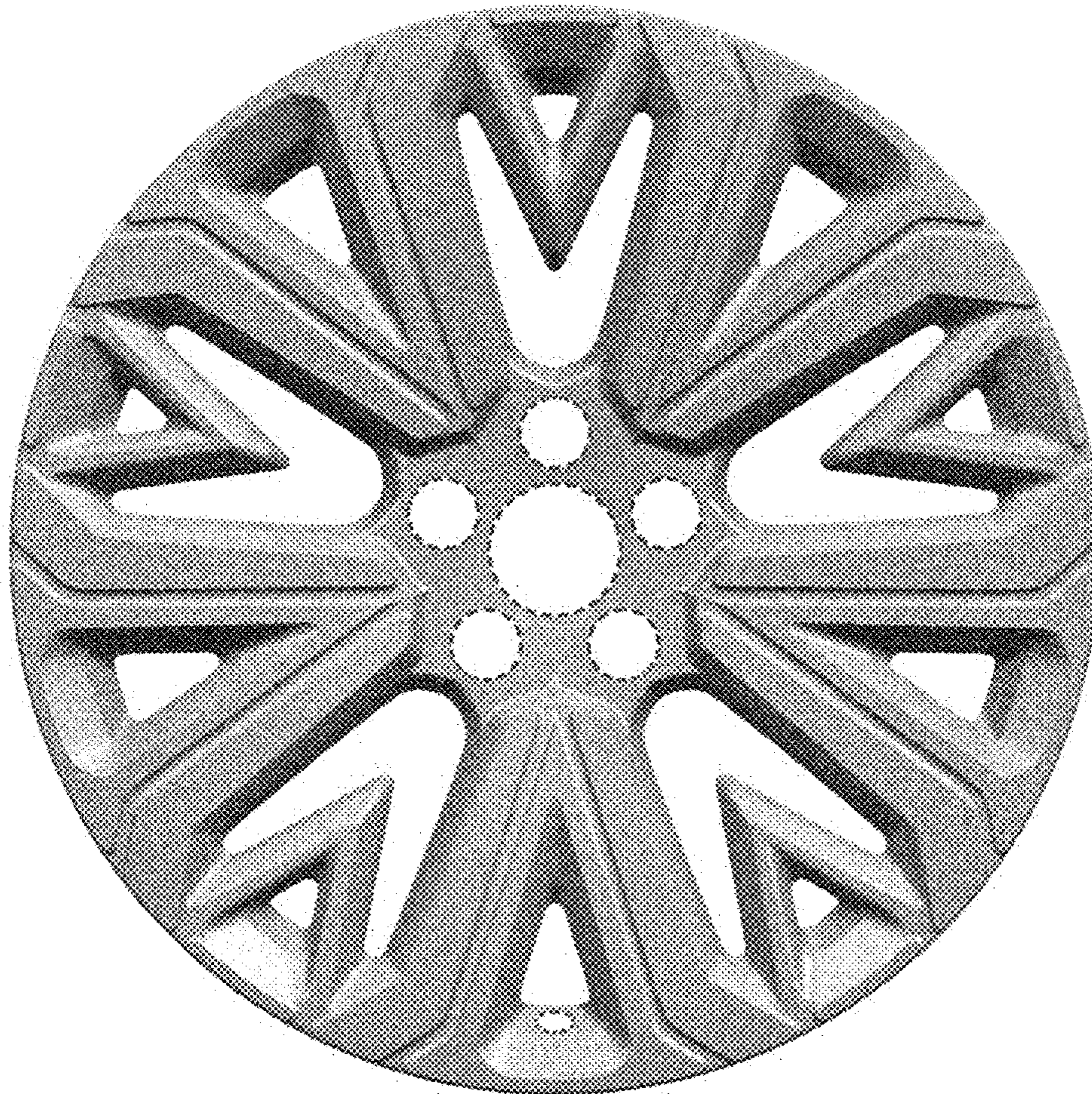


FIG. 1

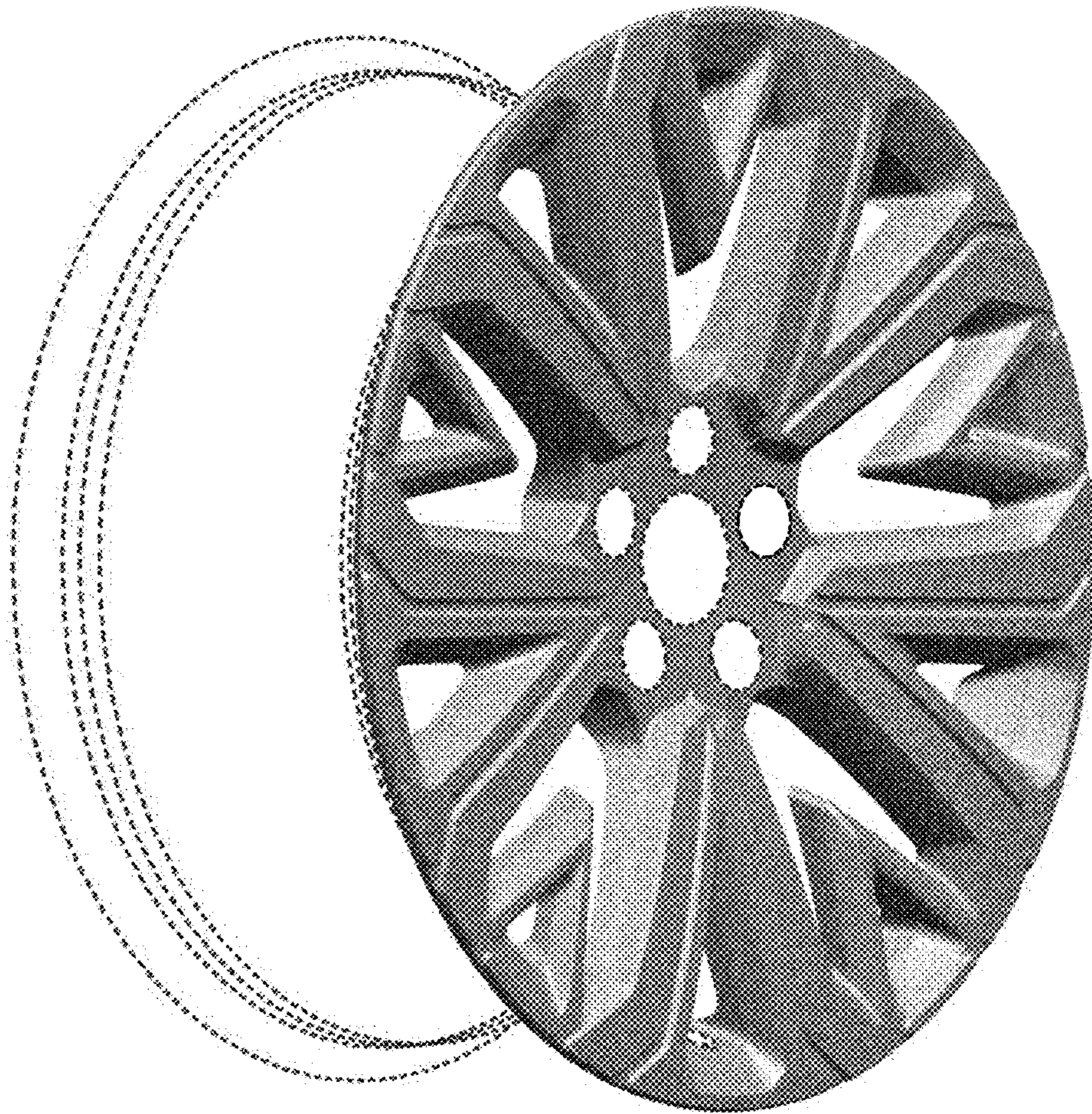


FIG. 2

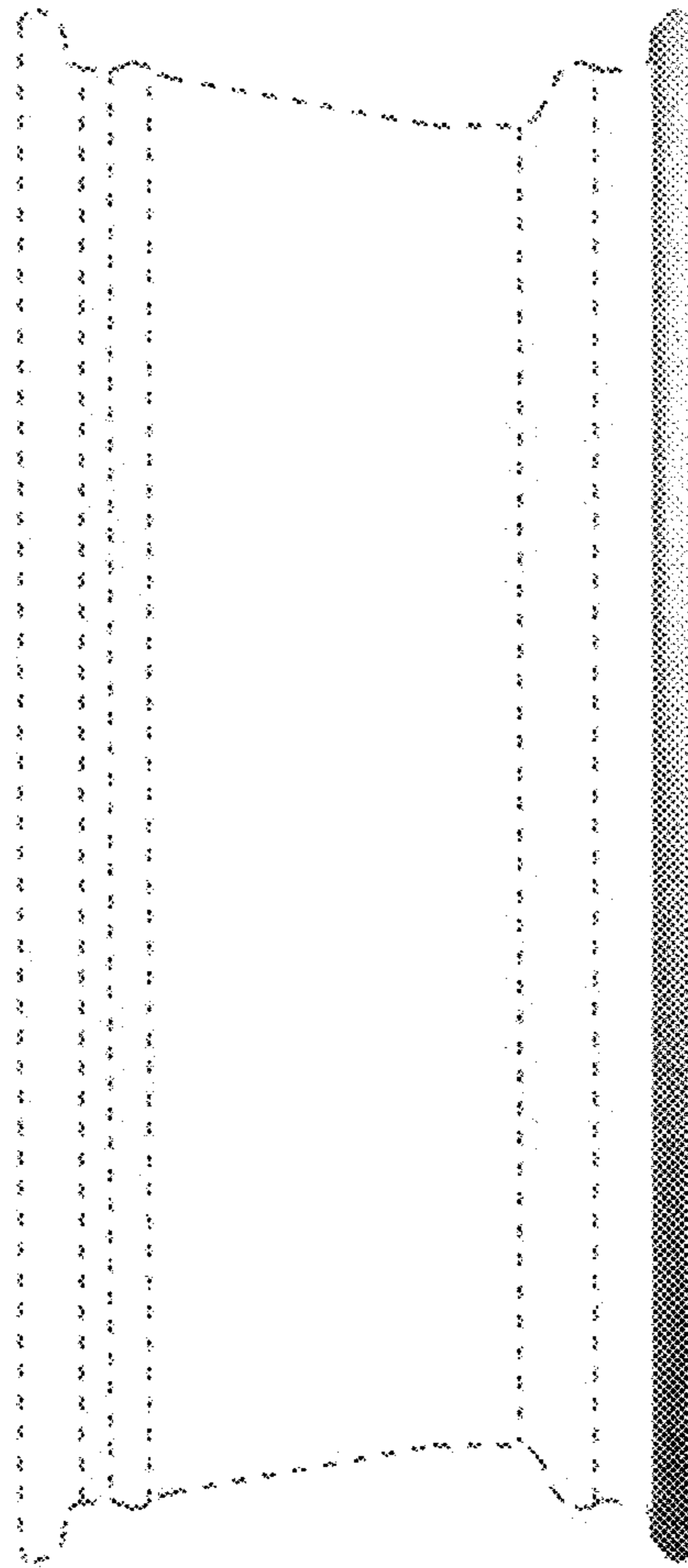


FIG. 3