

US00D969703S

(12) **United States Design Patent**  
**Podlovits**

(10) **Patent No.:** **US D969,703 S**

(45) **Date of Patent:** **\*\* Nov. 15, 2022**

- (54) **WHEEL FRONT FACE**
- (71) Applicant: **Joseph F. Podlovits**, Brea, CA (US)
- (72) Inventor: **Joseph F. Podlovits**, Brea, CA (US)
- (73) Assignee: **WHEEL GROUP HOLDINGS, LLC**,  
Ontario, CA (US)

D889,357 S	*	7/2020	Lee	.....	D12/209
D894,812 S	*	9/2020	Sempek	.....	D12/211
D899,999 S	*	10/2020	Kong	.....	D12/209
D904,271 S	*	12/2020	Henderson	.....	D12/209
D914,576 S	*	3/2021	VanRyn	.....	D12/211
D926,658 S	*	8/2021	Licklitter	.....	D12/211

(\*\*) Term: **15 Years**

(21) Appl. No.: **29/753,724**

(22) Filed: **Oct. 1, 2020**

(51) **LOC (13) Cl.** ..... **12-16**

(52) **U.S. Cl.**  
USPC ..... **D12/209**

(58) **Field of Classification Search**  
USPC ..... D12/204-213; D21/563  
CPC .... B60B 7/00; B60B 7/01; B60B 7/02; B60B  
7/04; B60B 7/06; B60B 3/02; B60B 3/04;  
B60B 3/06; B60B 3/10; B60B 1/00;  
B60B 1/08; B60B 1/10; B60B 1/12  
See application file for complete search history.

(56) **References Cited**

**U.S. PATENT DOCUMENTS**

D352,492 S	*	11/1994	Boyer	.....	D12/211
D520,931 S	*	5/2006	Hieke	.....	D12/211
D596,551 S	*	7/2009	Futschik	.....	D12/211
D763,165 S	*	8/2016	Hans	.....	D12/211
D769,167 S	*	10/2016	Muntada Roura	.....	D12/211
D870,627 S	*	12/2019	Lu	.....	D12/209
D886,704 S	*	6/2020	Williams	.....	D12/209

**OTHER PUBLICATIONS**

Summit Dually 9110DBM, Published date unavailable [online],  
[retrieved on Apr. 25, 2022]. Retrieved from the Internet: [https://www.thewheelgroup.com/?products=summit-dually-9110dbm#/\(Year: 2022\).](https://www.thewheelgroup.com/?products=summit-dually-9110dbm#/)\*

\* cited by examiner

*Primary Examiner* — Cary M Robinson  
*Assistant Examiner* — Adam C Mager  
(74) *Attorney, Agent, or Firm* — Law Offices of S.J.  
Christine Yang

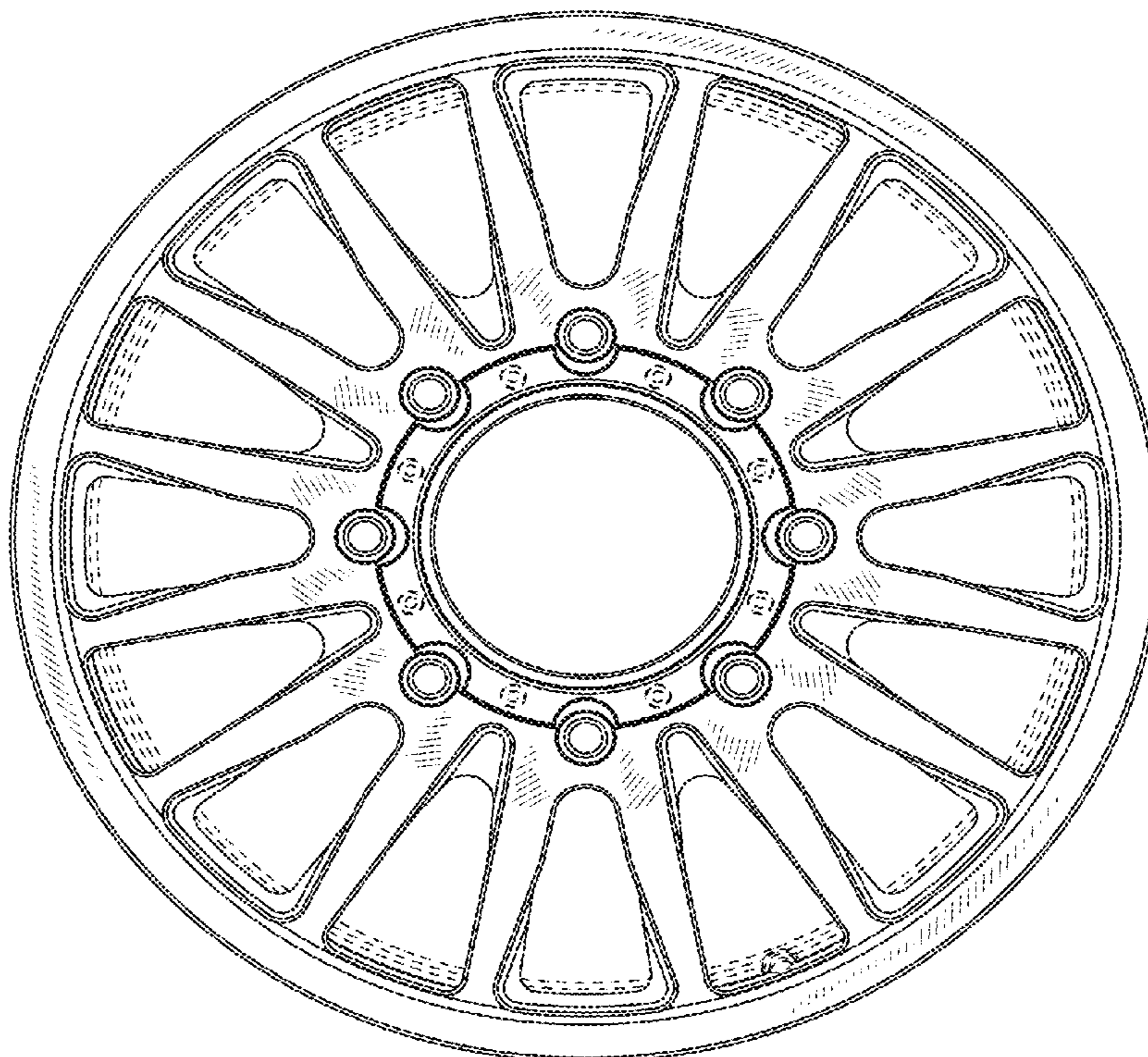
(57) **CLAIM**

The ornamental design for a wheel front face, as shown and described.

**DESCRIPTION**

FIG. 1 is a perspective view of a wheel front face showing a new design.  
FIG. 2 is a front view thereof; and,  
FIG. 3 is a side view thereof.  
The broken lines in the drawings illustrate portions of the wheel front face in which the design is embodied that form no part of the claimed design.

**1 Claim, 3 Drawing Sheets**



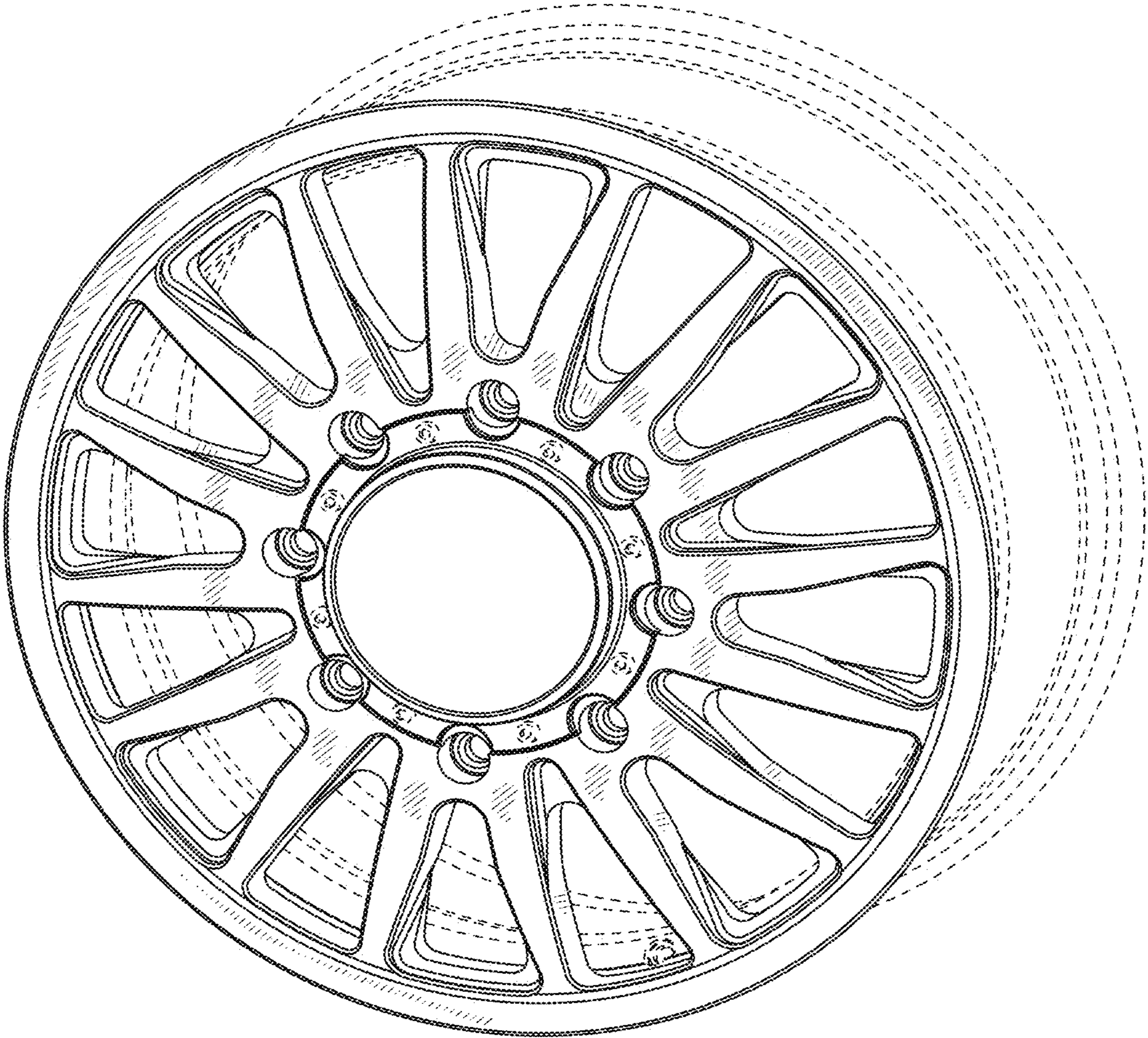


FIG. 1



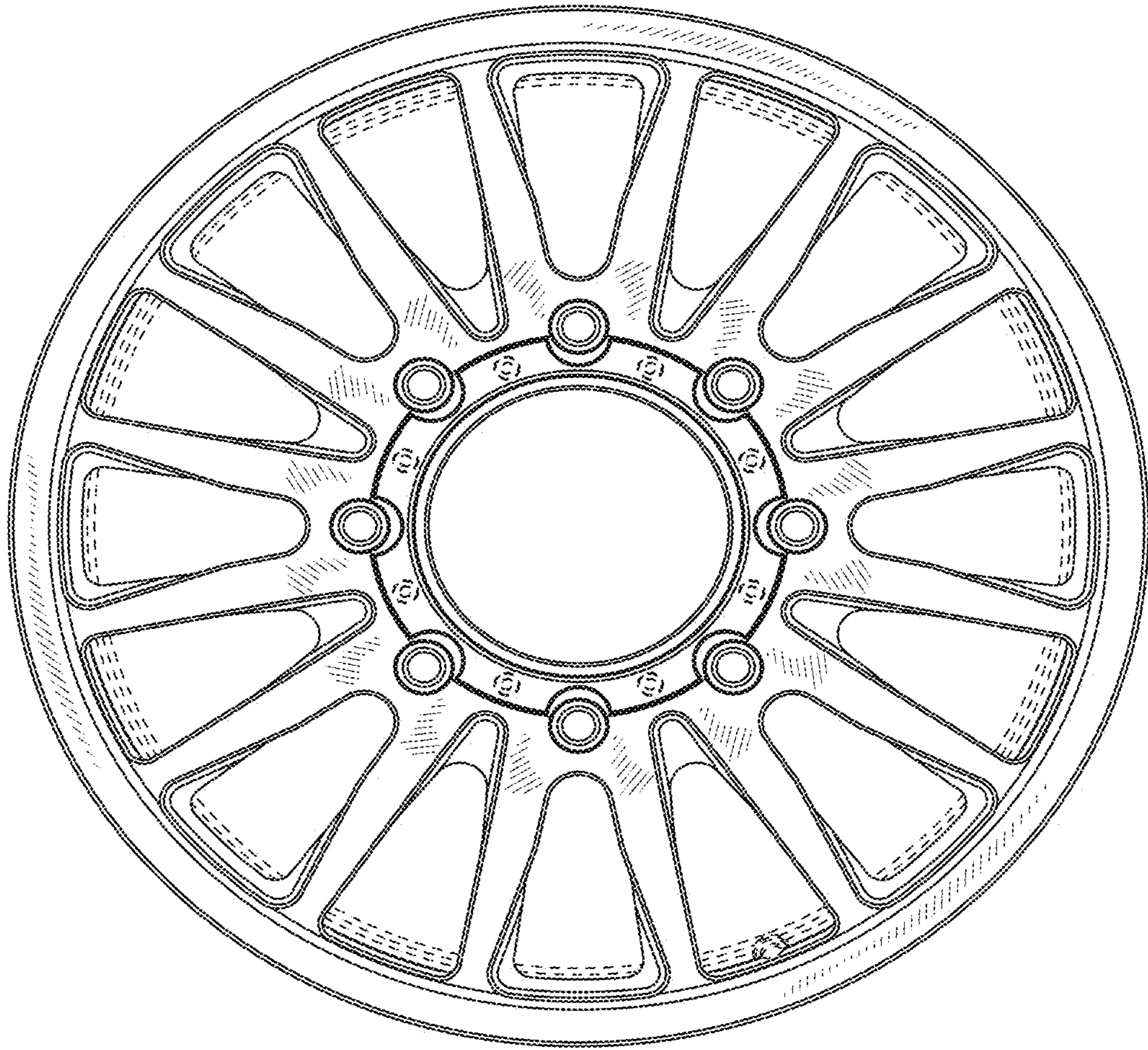


FIG. 2

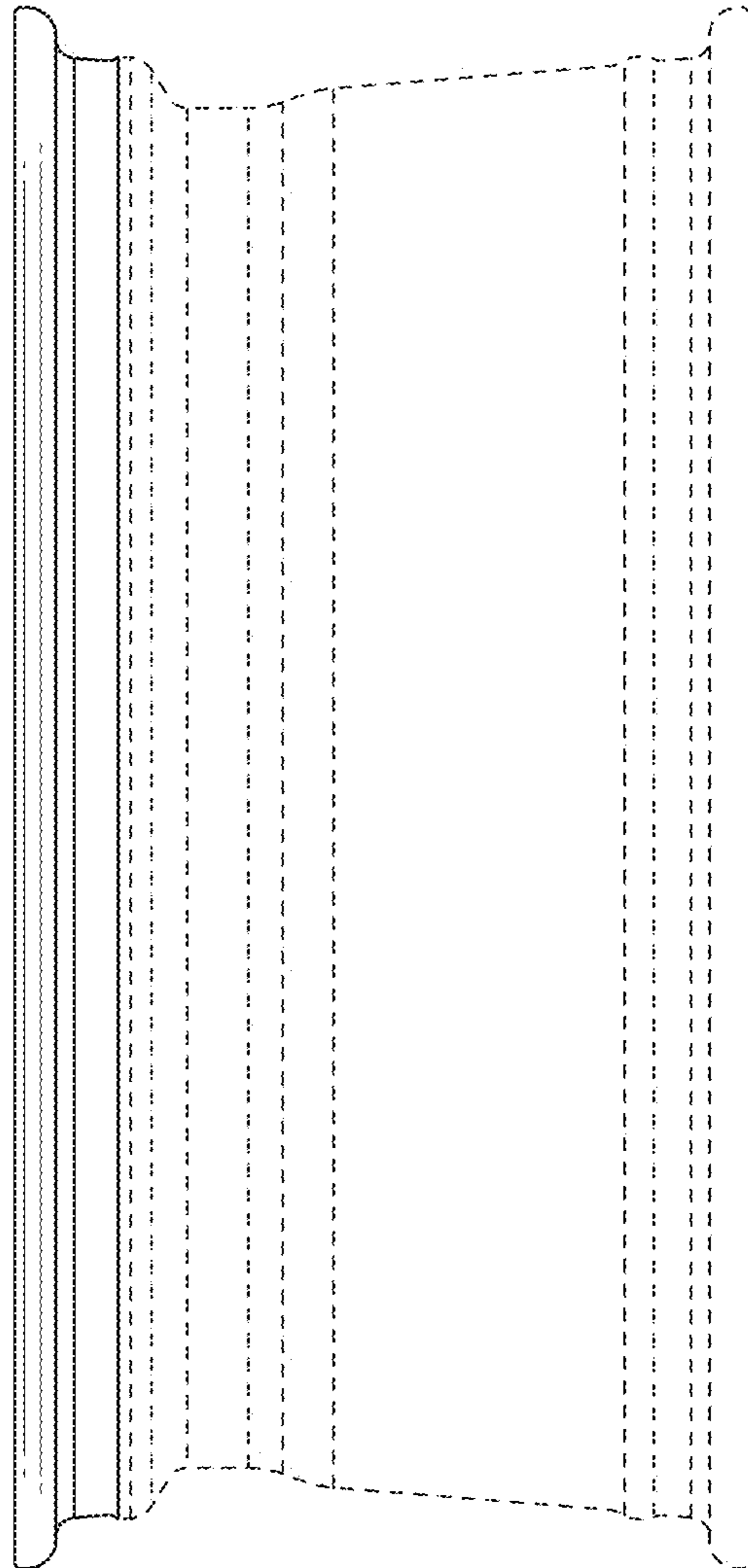


FIG. 3