

US00D969701S

(12) **United States Design Patent** (10) **Patent No.:** **US D969,701 S**  
**Ruiz** (45) **Date of Patent:** **\*\* Nov. 15, 2022**

(54) **VEHICLE FRONT BUMPER PLATE**  
(71) Applicant: **GM GLOBAL TECHNOLOGY OPERATIONS LLC**, Detroit, MI (US)  
(72) Inventor: **Gary W. Ruiz**, Royal Oak, MI (US)  
(73) Assignee: **GM Global Technology Operations LLC**, Detroit, MI (US)  
(\*\*) Term: **15 Years**

D786,149 S 5/2017 Pevovar et al.  
D787,990 S 5/2017 Kozub et al.  
D792,293 S 7/2017 McCabe et al.  
D792,295 S 7/2017 McCabe et al.  
D792,815 S 7/2017 Kozub  
D792,816 S 7/2017 Kozub  
D793,292 S 8/2017 Lee  
D793,293 S 8/2017 Lee et al.  
D793,296 S 8/2017 Smith et al.  
D793,297 S 8/2017 Smith et al.  
D793,301 S 8/2017 Kozub

(Continued)

(21) Appl. No.: **29/783,026**  
(22) Filed: **May 11, 2021**  
(51) **LOC (13) Cl.** ..... **12-16**  
(52) **U.S. Cl.**  
USPC ..... **D12/196**  
(58) **Field of Classification Search**  
USPC ..... D12/86, 90, 91, 92, 163, 169, 171, 196,  
D12/216  
CPC .... B60D 1/488; B62D 25/2072; B62D 25/08;  
B60R 19/02; B60R 19/04; B60R 19/12;  
B60R 19/52; B60K 11/08  
See application file for complete search history.

**OTHER PUBLICATIONS**

Skid Plates. (Design—© Questel) orbit.com. [Online PDF compilation of references] 22 pgs. Print Dates Range Oct. 18, 2021-Apr. 13, 2018 [Retrieved Sep. 19, 2022].\*

(Continued)

*Primary Examiner* — George D. Kirschbaum  
*Assistant Examiner* — Suzanne E Tisdell

(57) **CLAIM**

The ornamental design for a vehicle front bumper plate, as shown and described.

**DESCRIPTION**

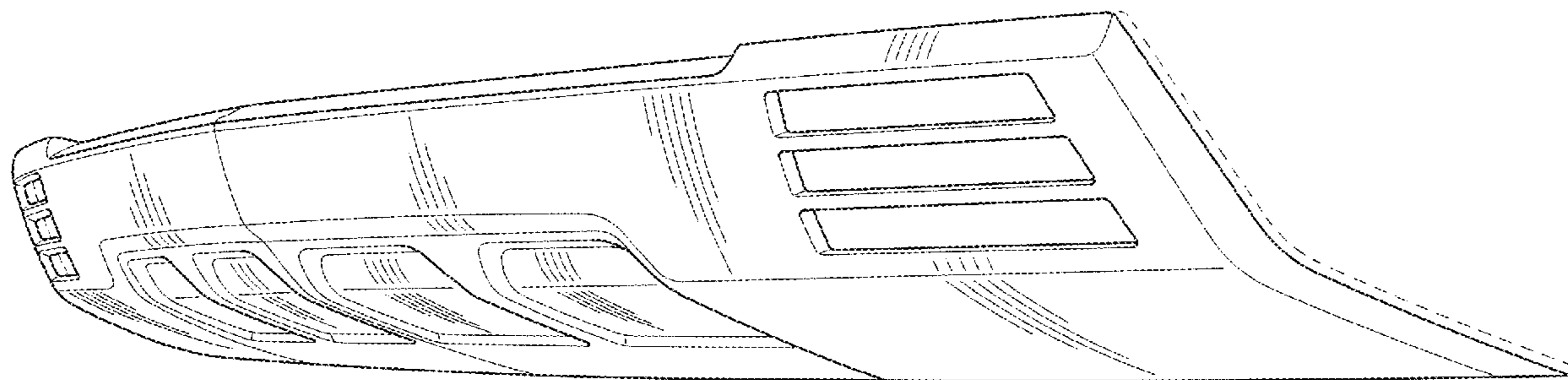
FIG. 1 is a front and left perspective view of a vehicle front bumper plate showing my new design;  
FIG. 2 is a front elevation view of the vehicle front bumper plate of FIG. 1;  
FIG. 3 is a left elevation view thereof;  
FIG. 4 is a right elevation view thereof;  
FIG. 5 is a top view thereof;  
FIG. 6 is a back elevation view thereof; and,  
FIG. 7 is a bottom view thereof.

The broken lines in the drawings depict portions of the vehicle front bumper plate that form no part of the claimed design.

**1 Claim, 7 Drawing Sheets**

(56) **References Cited**  
U.S. PATENT DOCUMENTS

D717,703 S 11/2014 Munson et al.  
D720,668 S 1/2015 Pevovar et al.  
D745,837 S 12/2015 Smith et al.  
D749,021 S 2/2016 Boniface et al.  
D753,034 S 4/2016 Thole et al.  
D753,559 S 4/2016 McMahan et al.  
D753,560 S 4/2016 McMahan et al.  
D771,532 S 11/2016 Kapitonov  
D771,533 S 11/2016 Kapitonov  
D772,766 S 11/2016 Kozub et al.  
D772,767 S 11/2016 Kim  
D775,007 S 12/2016 Thole et al.  
D775,010 S 12/2016 Kim et al.  
D776,583 S 1/2017 Scheer et al.



(56)

References Cited

U.S. PATENT DOCUMENTS

D793,302 S 8/2017 Kozub  
 D798,204 S 9/2017 Mainville  
 D802,496 S 11/2017 Mainville  
 D811,957 S 3/2018 Whitla et al.  
 D811,960 S 3/2018 Nakamura  
 D811,964 S 3/2018 Perkins  
 D812,526 S 3/2018 Zipfel et al.  
 D812,527 S 3/2018 Perkins  
 D812,528 S 3/2018 Nakamura  
 D813,109 S 3/2018 Zipfel et al.  
 D813,734 S 3/2018 Nakamura  
 D814,369 S 4/2018 Loeb  
 D816,558 S 5/2018 McMahan et al.  
 D816,559 S 5/2018 McMahan et al.  
 D816,561 S 5/2018 McMahan  
 D816,562 S 5/2018 Whitla et al.  
 D816,564 S 5/2018 Kim  
 D816,566 S 5/2018 Loeb  
 D818,406 S 5/2018 McMahan et al.  
 D820,173 S 6/2018 McMahan  
 D820,174 S 6/2018 Whitla et al.  
 D821,941 S 7/2018 Mack et al.  
 D821,950 S 7/2018 Kozub  
 D822,550 S 7/2018 Wassell et al.  
 D826,114 S 8/2018 Smith et al.  
 D826,803 S 8/2018 Smith et al.  
 D837,109 S 1/2019 Kozub et al.  
 D840,293 S 2/2019 Koo et al.  
 D841,532 S 2/2019 Koo et al.  
 D843,275 S 3/2019 Koo et al.  
 D845,187 S 4/2019 Pinazzo et al.  
 D845,190 S 4/2019 Zipfel  
 D845,196 S 4/2019 Kozub  
 D847,042 S 4/2019 Pinazzo et al.  
 D847,044 S 4/2019 Zipfel  
 D847,704 S 5/2019 Zipfel  
 D847,705 S 5/2019 Zipfel  
 D847,707 S 5/2019 Park Cheng et al.  
 D847,714 S 5/2019 Mack et al.  
 D848,318 S 5/2019 McMahan et al.  
 D848,322 S 5/2019 Mack et al.  
 D848,323 S 5/2019 Mack et al.  
 D848,324 S 5/2019 Thurber et al.  
 D848,325 S 5/2019 Thurber et al.  
 D850,989 S 6/2019 Kozub  
 D851,555 S 6/2019 Whitla et al.  
 D851,556 S 6/2019 Thurber et al.  
 D851,557 S 6/2019 Thurber et al.  
 D851,560 S 6/2019 Yong et al.  
 D851,561 S 6/2019 Yong et al.  
 D853,904 S 7/2019 Koo et al.  
 D854,979 S 7/2019 Krieg et al.  
 D855,508 S 8/2019 Wilkins et al.  
 D855,509 S 8/2019 Wilkins  
 D856,204 S 8/2019 Kapitonov  
 D856,206 S 8/2019 De Leon

D856,864 S 8/2019 Kapitonov  
 D856,874 S 8/2019 Kozub  
 D856,875 S 8/2019 Kozub  
 D857,575 S \* 8/2019 Harriton ..... D12/196  
 D858,395 S \* 9/2019 Harriton ..... D12/196  
 D860,075 S 9/2019 Riggs et al.  
 D860,076 S 9/2019 Bartels et al.  
 D860,078 S 9/2019 O'Donnell et al.  
 D862,337 S 10/2019 Pinazzo et al.  
 D863,140 S 10/2019 Wilkins et al.  
 D863,147 S 10/2019 Zipfel  
 D863,149 S 10/2019 Luke et al.  
 D863,150 S 10/2019 Krieg et al.  
 D863,152 S 10/2019 Kozub  
 D864,057 S 10/2019 Krieg et al.  
 D867,232 S \* 11/2019 Izard ..... D12/169  
 D868,639 S 12/2019 Wilkins et al.  
 D868,650 S 12/2019 Gifford  
 D868,651 S 12/2019 Gifford  
 D868,656 S 12/2019 De Leon  
 D870,619 S 12/2019 Gifford  
 D873,733 S 1/2020 Kozub  
 D874,362 S 2/2020 Izard  
 D877,001 S 3/2020 Izard  
 D877,002 S 3/2020 Izard  
 D877,003 S 3/2020 Izard  
 D877,004 S 3/2020 Wilkins et al.  
 D877,007 S 3/2020 Zipfel  
 D877,009 S 3/2020 Luke et al.  
 D877,014 S \* 3/2020 Harriton ..... D12/196  
 D881,083 S 4/2020 Blanski et al.  
 D882,466 S 4/2020 Yong et al.  
 D885,265 S 5/2020 Zipfel  
 D887,323 S 6/2020 Zipfel  
 D889,331 S 7/2020 O'Donnell et al.  
 D892,003 S \* 8/2020 Zipfel ..... D12/169  
 D894,060 S 8/2020 Izard  
 D894,061 S 8/2020 Zipfel  
 D894,809 S \* 9/2020 Chi ..... D12/196  
 D899,989 S \* 10/2020 Chi ..... D12/196  
 D902,802 S 11/2020 Choi et al.  
 D902,803 S 11/2020 Choi et al.  
 D902,817 S \* 11/2020 Choi ..... D12/196  
 D902,818 S \* 11/2020 Choi ..... D12/196  
 D903,567 S \* 12/2020 Choi ..... D12/196  
 D920,203 S \* 5/2021 Choi ..... D12/196  
 D928,679 S \* 8/2021 Liang ..... D12/196  
 D960,061 S \* 8/2022 Langhals ..... D12/196

OTHER PUBLICATIONS

Fits 15-22 Dodge Charger. 2015. eBay, <https://www.ebay.com/itm/292882787973>.\*

CarbonMiata Rear Diffuser. 2006. Top Miata. <https://www.topmiata.com/product/carbonmiata-rear-diffuser-center-exhaust/>.\*

Future Design carbon rear Diffuser. 2022. Future Design. <https://fd-styles.com/products/taycan-future-design-carbon-rear-diffuser>.\*

\* cited by examiner



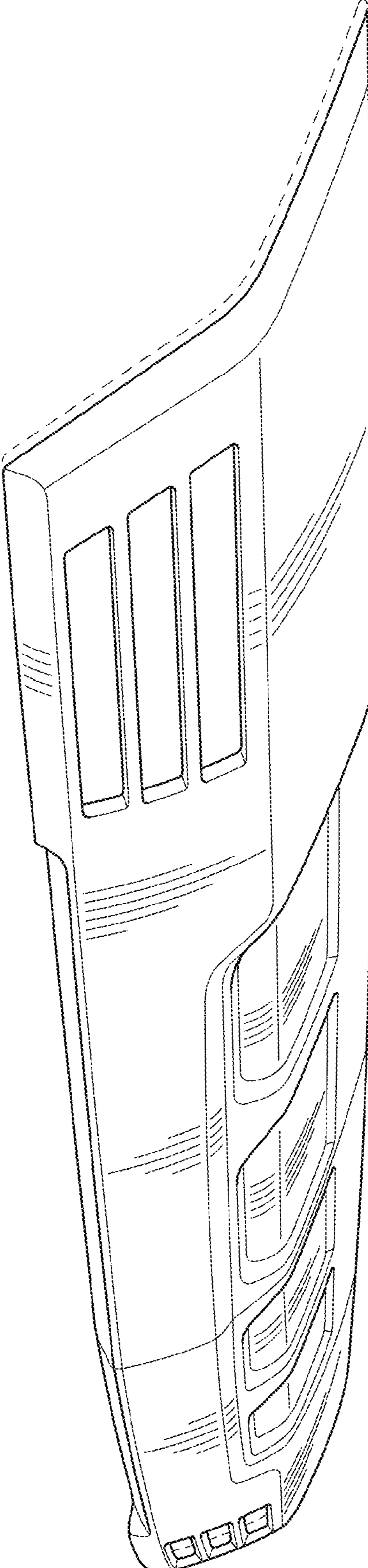


FIG. 1

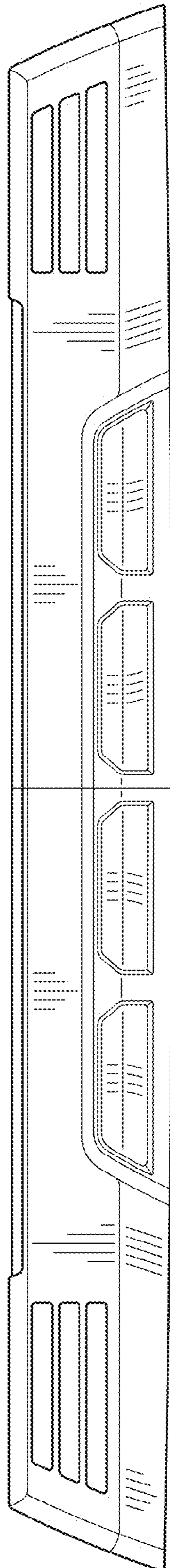


FIG. 2

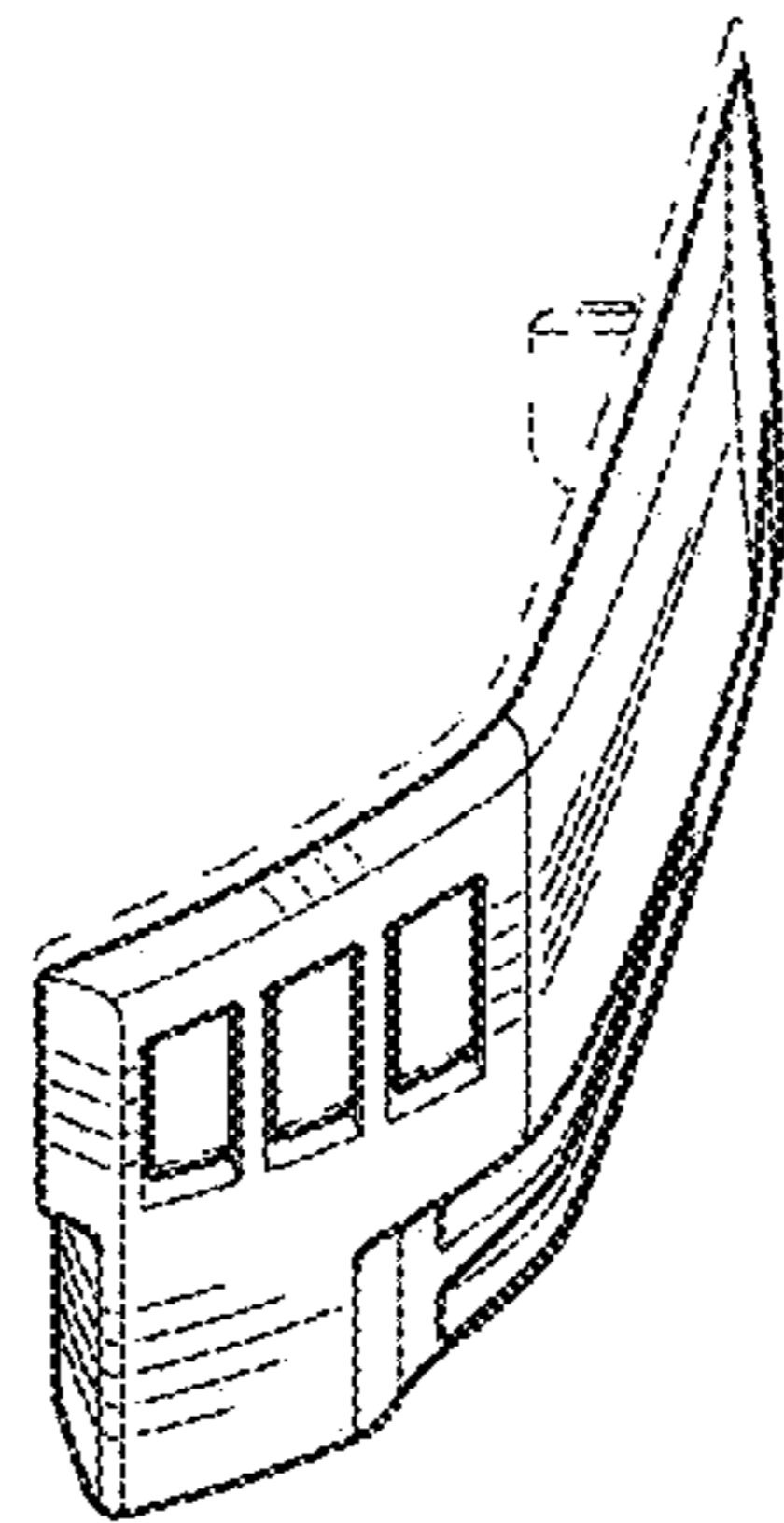


FIG. 3

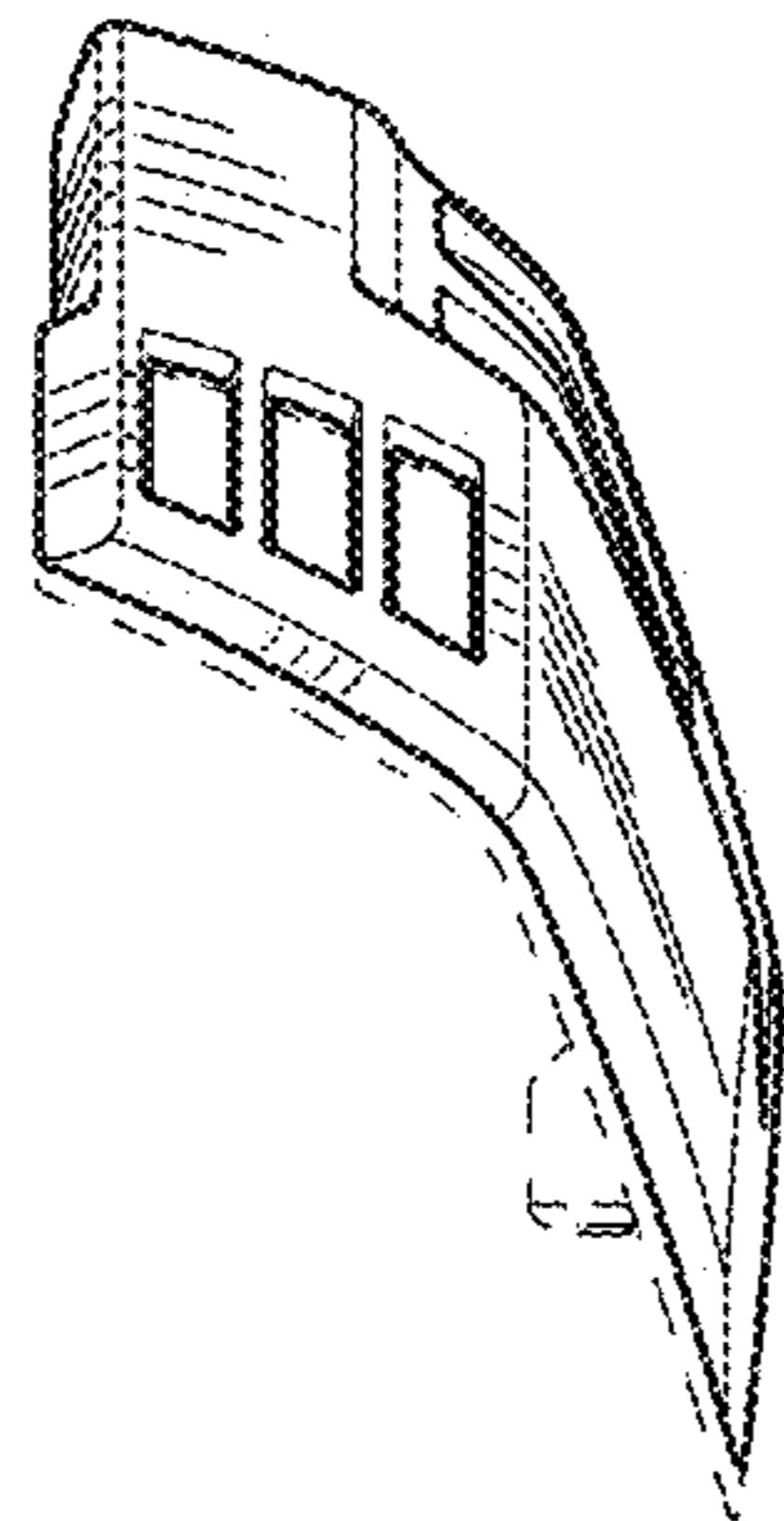


FIG. 4

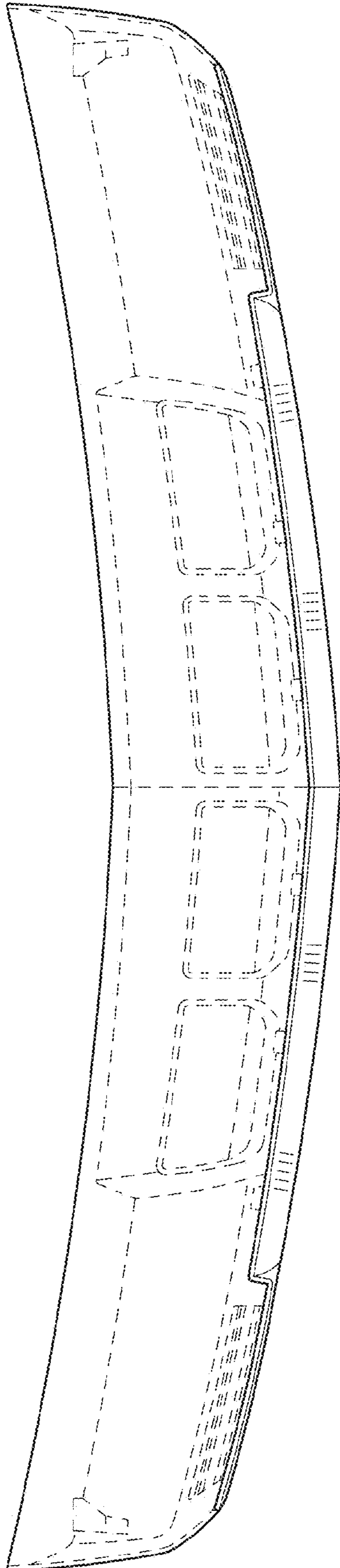


FIG. 5

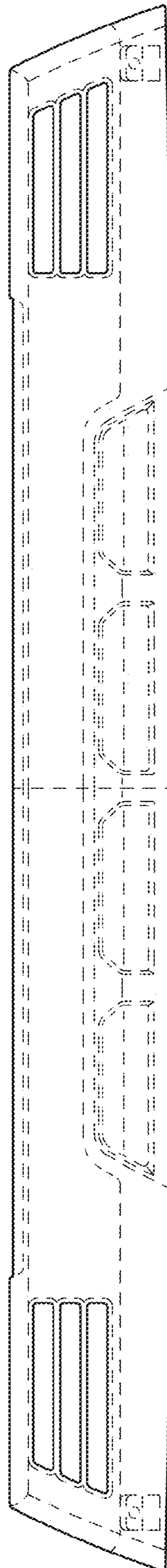


FIG. 6



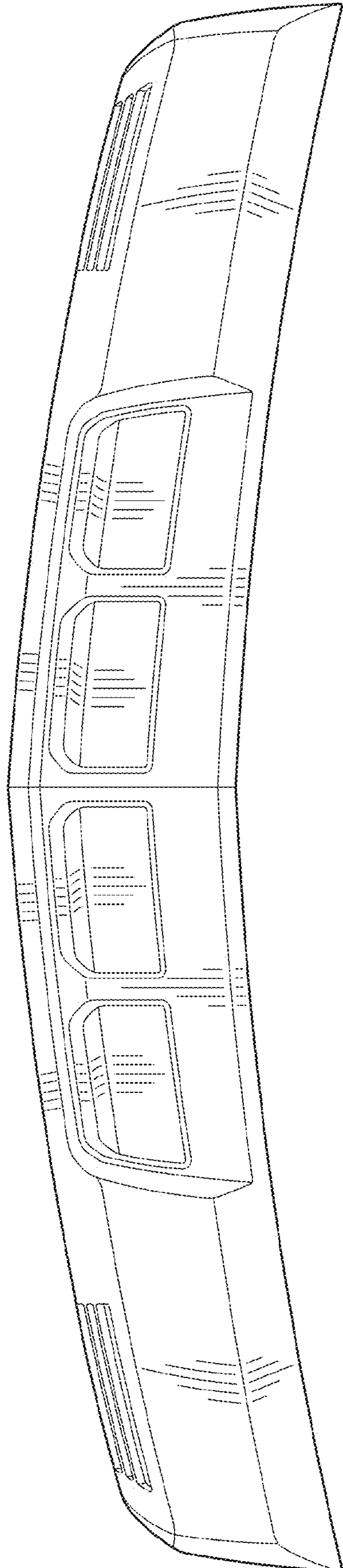


FIG. 7