

US00D969700S

(12) **United States Design Patent** (10) **Patent No.:** **US D969,700 S**  
**Malczewski** (45) **Date of Patent:** **\*\* Nov. 15, 2022**

(54) **VEHICLE LIFTGATE**  
(71) Applicant: **GM GLOBAL TECHNOLOGY OPERATIONS LLC**, Detroit, MI (US)  
(72) Inventor: **Brian Malczewski**, Royal Oak, MI (US)  
(73) Assignee: **GM Global Technology Operations LLC**, Detroit, MI (US)

D767,454 S 9/2016 McMahan et al.  
D767,459 S 9/2016 Kim  
D767,461 S 9/2016 Kozub et al.  
D776,021 S 1/2017 Kapitonov  
D776,581 S 1/2017 Pevovar et al.  
D778,212 S 2/2017 Kozub et al.  
D780,077 S 2/2017 Kim et al.  
D783,482 S 4/2017 Smith et al.  
D784,232 S \* 4/2017 Henstridge ..... D12/196  
D784,886 S 4/2017 Smith et al.  
D787,989 S 5/2017 Kozub et al.  
D788,001 S 5/2017 Lee

(\*\*) Term: **15 Years**

(Continued)

(21) Appl. No.: **29/776,682**

**OTHER PUBLICATIONS**

(22) Filed: **Mar. 31, 2021**

Tailgates (Design—© Questel) orbit.com. [Online PDF compilation of references] 47 pgs. Print Dates Range Nov. 1, 2021-Nov. 3, 2021 [Retrieved Sep. 16, 2022].\*

(51) **LOC (13) Cl.** ..... **12-16**

(52) **U.S. Cl.**  
USPC ..... **D12/196**

(Continued)

(58) **Field of Classification Search**  
USPC ..... D12/86, 90, 91, 92, 93, 163, 169, 196;  
D21/424, 433, 434; D25/48.1, 48.4, 48.5,  
D25/199  
CPC .... B62D 25/08; B62D 33/0273; B62D 33/03;  
B62D 33/037; B62D 33/023; B62D  
33/033

*Primary Examiner* — George D. Kirschbaum  
*Assistant Examiner* — Suzanne E Tisdell

See application file for complete search history.

(57) **CLAIM**

The ornamental design for a vehicle liftgate, as shown and described.

(56) **References Cited**

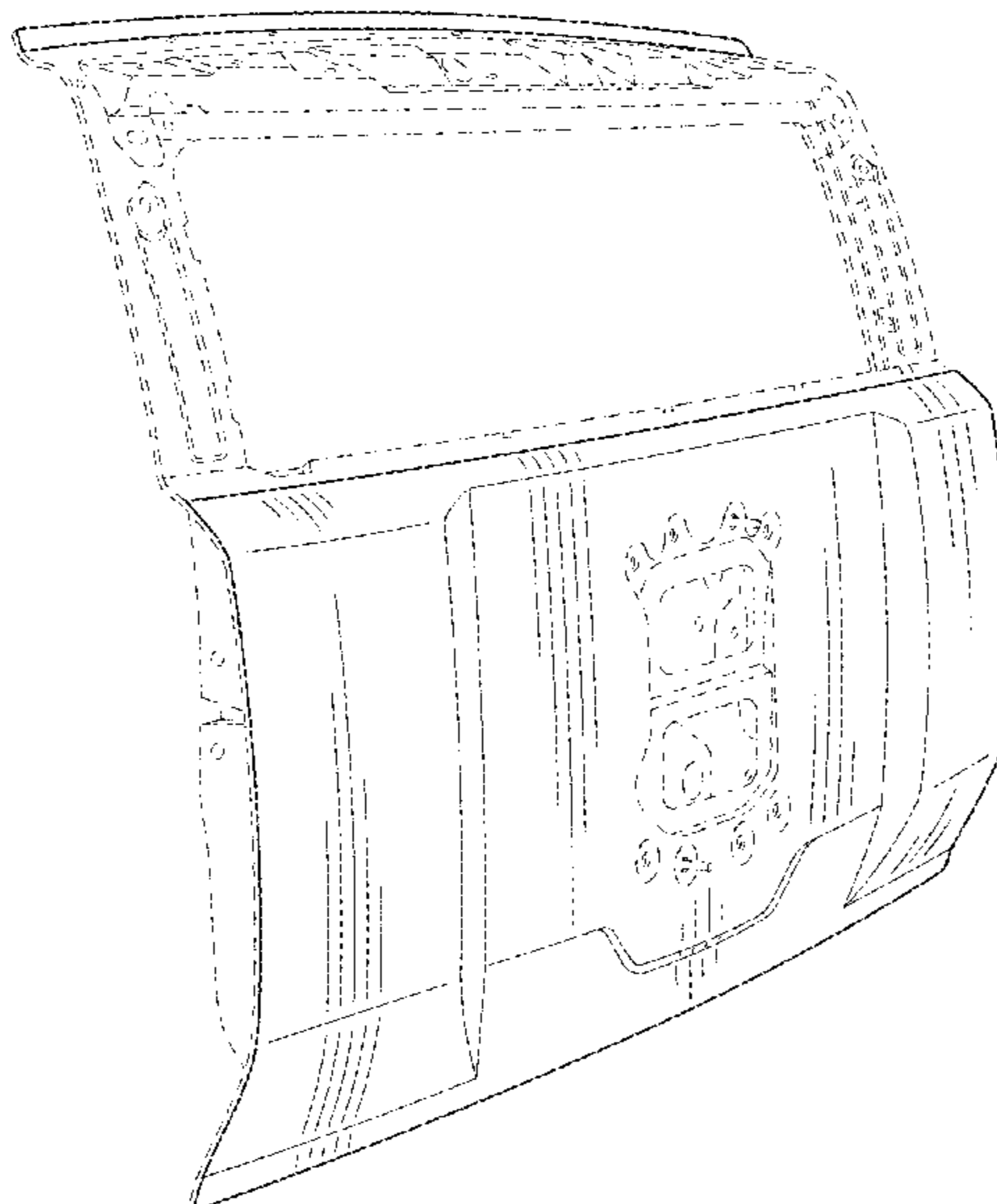
**DESCRIPTION**

**U.S. PATENT DOCUMENTS**

D704,603 S 5/2014 Munson et al.  
D708,994 S 7/2014 Thurber  
D711,294 S 8/2014 Karras et al.  
D733,018 S 6/2015 McCabe et al.  
D743,313 S 11/2015 Smith et al.  
D743,314 S 11/2015 Thole et al.  
D749,997 S 2/2016 McMahan et al.  
D753,032 S 4/2016 Smith et al.  
D753,033 S 4/2016 Thole et al.  
D753,035 S 4/2016 Boniface et al.  
D753,567 S 4/2016 Boniface et al.  
D758,271 S \* 6/2016 McMahan ..... D12/196

FIG. 1 is a front and left perspective view of a vehicle liftgate showing my new design;  
FIG. 2 is a front elevation view of the vehicle liftgate of FIG. 1;  
FIG. 3 is a left elevation view thereof;  
FIG. 4 is a right elevation view thereof;  
FIG. 5 is a top view thereof;  
FIG. 6 is a back elevation view thereof; and,  
FIG. 7 is a bottom view thereof.  
The broken lines in the drawings depict portions of the vehicle liftgate that form no part of the claimed design.

**1 Claim, 7 Drawing Sheets**



(56)

References Cited

U.S. PATENT DOCUMENTS

D789,575 S 6/2017 Willett  
 D789,849 S 6/2017 Lee  
 D792,294 S 7/2017 McCabe et al.  
 D793,294 S 8/2017 Lee  
 D793,295 S 8/2017 McCabe et al.  
 D793,299 S 8/2017 Krieg et al.  
 D793,300 S 8/2017 Krieg et al.  
 D797,616 S 9/2017 Lee  
 D797,631 S 9/2017 Pevovar et al.  
 D797,632 S 9/2017 Zipfel et al.  
 D801,236 S 10/2017 Kozub et al.  
 D801,882 S 11/2017 Kozub et al.  
 D801,889 S 11/2017 Han  
 D804,370 S 12/2017 Kozub et al.  
 D804,371 S 12/2017 Whitla et al.  
 D805,441 S 12/2017 Karras  
 D805,985 S 12/2017 Nakamura  
 D811,958 S 3/2018 Zipfel et al.  
 D811,959 S 3/2018 Perkins  
 D811,961 S 3/2018 Sullivan  
 D811,962 S 3/2018 Sullivan  
 D811,963 S 3/2018 Sullivan  
 D811,965 S 3/2018 Moffett et al.  
 D813,110 S 3/2018 Whitla et al.  
 D813,111 S 3/2018 Sullivan  
 D813,116 S 3/2018 Park  
 D813,117 S 3/2018 Sullivan  
 D813,740 S 3/2018 Park  
 D813,741 S 3/2018 Perkins  
 D813,742 S 3/2018 McMahan et al.  
 D813,743 S 3/2018 Lee  
 D813,744 S 3/2018 Whitla et al.  
 D813,748 S 3/2018 Kim  
 D813,753 S 3/2018 Loeb  
 D813,754 S 3/2018 Loeb  
 D813,755 S 3/2018 Loeb  
 D813,756 S 3/2018 Loeb  
 D815,572 S 4/2018 Perkins  
 D816,003 S 4/2018 Perkins  
 D816,563 S 5/2018 McMahan et al.  
 D816,565 S 5/2018 Kim  
 D817,836 S 5/2018 McMahan et al.  
 D818,922 S 5/2018 Whitla et al.  
 D819,519 S 6/2018 Whitla et al.  
 D822,551 S 7/2018 McMahan et al.  
 D823,762 S 7/2018 Loeb  
 D823,763 S 7/2018 Koo et al.  
 D828,246 S 9/2018 Loeb  
 D828,261 S 9/2018 Moffett et al.  
 D829,143 S 9/2018 McMahan et al.  
 D839,163 S 1/2019 Pinazzo et al.  
 D840,306 S 2/2019 Kozub  
 D841,547 S 2/2019 Zipfel et al.  
 D843,904 S 3/2019 Kim  
 D845,186 S 4/2019 Koo et al.  
 D845,188 S 4/2019 Pinazzo et al.  
 D845,189 S 4/2019 Pinazzo et al.  
 D846,457 S 4/2019 Koo et al.  
 D846,458 S 4/2019 Mack et al.  
 D847,043 S 4/2019 Kozub  
 D847,045 S 4/2019 Whitla et al.  
 D847,046 S 4/2019 Whitla et al.

D847,047 S 4/2019 Krieg et al.  
 D847,703 S 5/2019 Kozub  
 D848,909 S 5/2019 Lee  
 D848,911 S 5/2019 De Leon  
 D849,627 S 5/2019 Zipfel  
 D849,629 S 5/2019 De Leon  
 D849,630 S 5/2019 De Leon  
 D851,558 S 6/2019 Thurber et al.  
 D851,559 S 6/2019 Thurber et al.  
 D853,924 S 7/2019 Riggs et al.  
 D854,462 S 7/2019 Lee  
 D855,504 S 8/2019 Lee  
 D855,505 S 8/2019 Thurber et al.  
 D855,507 S 8/2019 Blanski et al.  
 D856,242 S 8/2019 Blanski et al.  
 D856,882 S \* 8/2019 Ninov ..... D12/196  
 D857,260 S 8/2019 Kil et al.  
 D858,377 S 9/2019 Riggs et al.  
 D859,237 S 9/2019 Koo et al.  
 D859,238 S 9/2019 Smith et al.  
 D859,239 S 9/2019 Sullivan et al.  
 D859,252 S 9/2019 Krieg  
 D859,253 S 9/2019 Izard  
 D859,254 S \* 9/2019 Izard ..... D12/196  
 D860,077 S 9/2019 Riggs et al.  
 D860,079 S 9/2019 Sullivan et al.  
 D863,142 S 10/2019 Zipfel  
 D863,169 S 10/2019 Whitla et al.  
 D864,821 S \* 10/2019 Thogersen ..... D12/196  
 D867,949 S 11/2019 Thurber et al.  
 D868,660 S 12/2019 De Leon  
 D873,751 S 1/2020 De Leon  
 D877,005 S 3/2020 Luke et al.  
 D877,006 S 3/2020 Luke et al.  
 D881,087 S 4/2020 Luke et al.  
 D890,054 S \* 7/2020 Platto ..... D12/196  
 D890,055 S \* 7/2020 Platto ..... D12/196  
 D897,255 S \* 9/2020 Zipfel ..... D12/196  
 D897,919 S 10/2020 Choi et al.  
 D902,800 S 11/2020 Gay  
 D902,801 S 11/2020 Gay  
 D903,568 S 12/2020 Choi et al.  
 D908,572 S \* 1/2021 Langhals ..... D12/196  
 D930,539 S \* 9/2021 Matsuoka ..... D12/196  
 D960,803 S \* 8/2022 Kaoud ..... D12/196  
 D960,805 S \* 8/2022 Ruiz ..... D12/196  
 D961,475 S \* 8/2022 Kaoud ..... D12/196

OTHER PUBLICATIONS

Anderson, Brad. This 2021 GMC Yukon Was Delivered With A Mismatched Liftgate Paint Color. Sep. 10, 2020. Carscoops. <https://www.carscoops.com/2020/09/this-2021-gmc-yukon-was-delivered-with-a-mismatched-liftgate-paint-color/>.\*

Chevy Tahoe Oem Trunk Hatch Liftgate Assembly. 2008. eBay. [https://www.ebay.com/itm/155082267544?chn=ps&\\_trkparms=ispr%3D1&amdata=enc%3A1w87By7NgSbKZWdEr6ZeoLg11&norover=1&mkevt=1&mkrid=711-117182-37290-0&mkcid=2&itemid=155082267544&targetid=1644837436043&device=c&mktype=&googleloc=9059726&poi=&campaignid=16743](https://www.ebay.com/itm/155082267544?chn=ps&_trkparms=ispr%3D1&amdata=enc%3A1w87By7NgSbKZWdEr6ZeoLg11&norover=1&mkevt=1&mkrid=711-117182-37290-0&mkcid=2&itemid=155082267544&targetid=1644837436043&device=c&mktype=&googleloc=9059726&poi=&campaignid=16743).\*

2018 Chevrolet Tahoe Pictures & Photos. 2018. CarsDirect. <https://www.carsdirect.com/2018/chevrolet/tahoe/pictures>.\*

\* cited by examiner



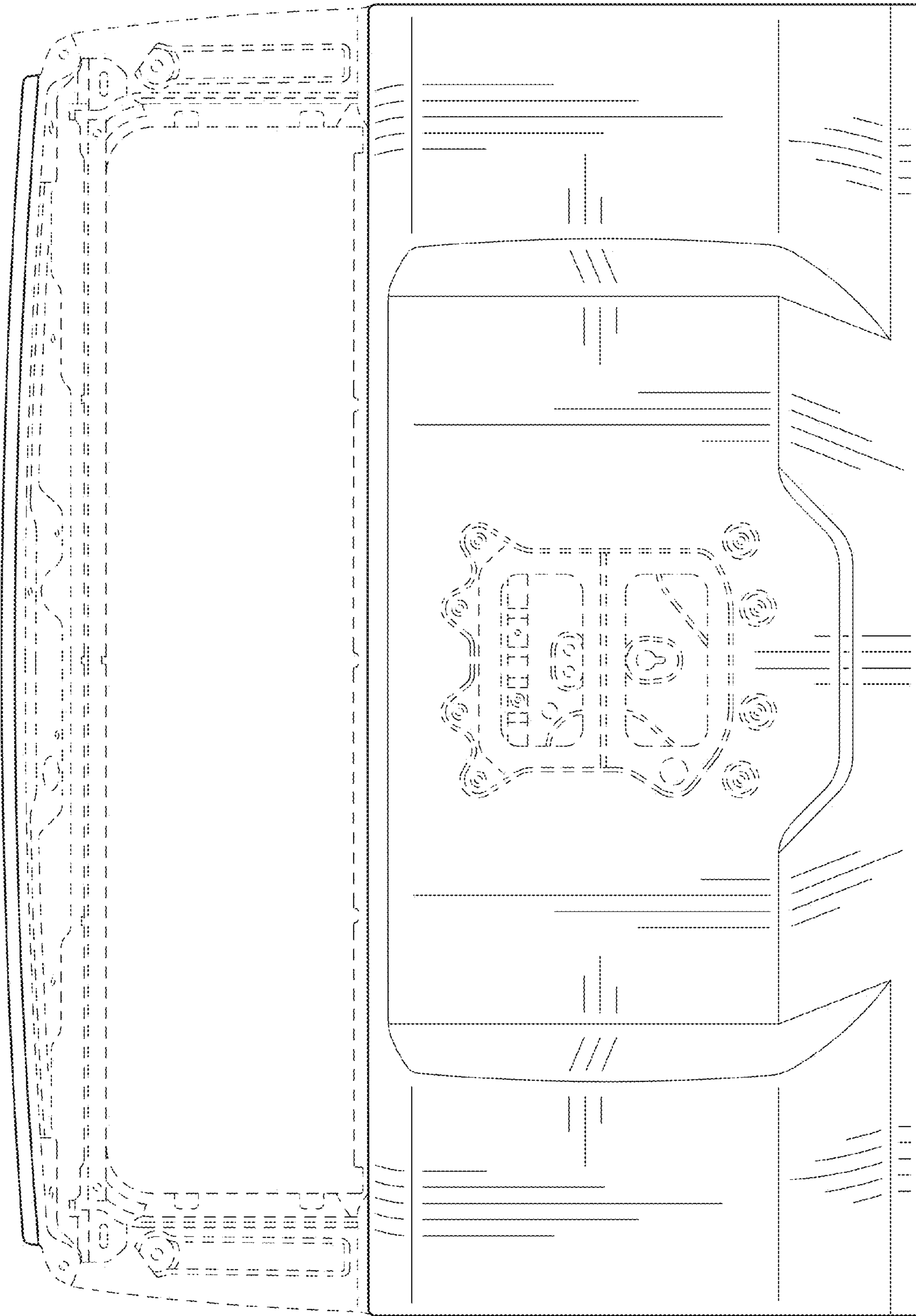


FIG. 2

FIG. 3

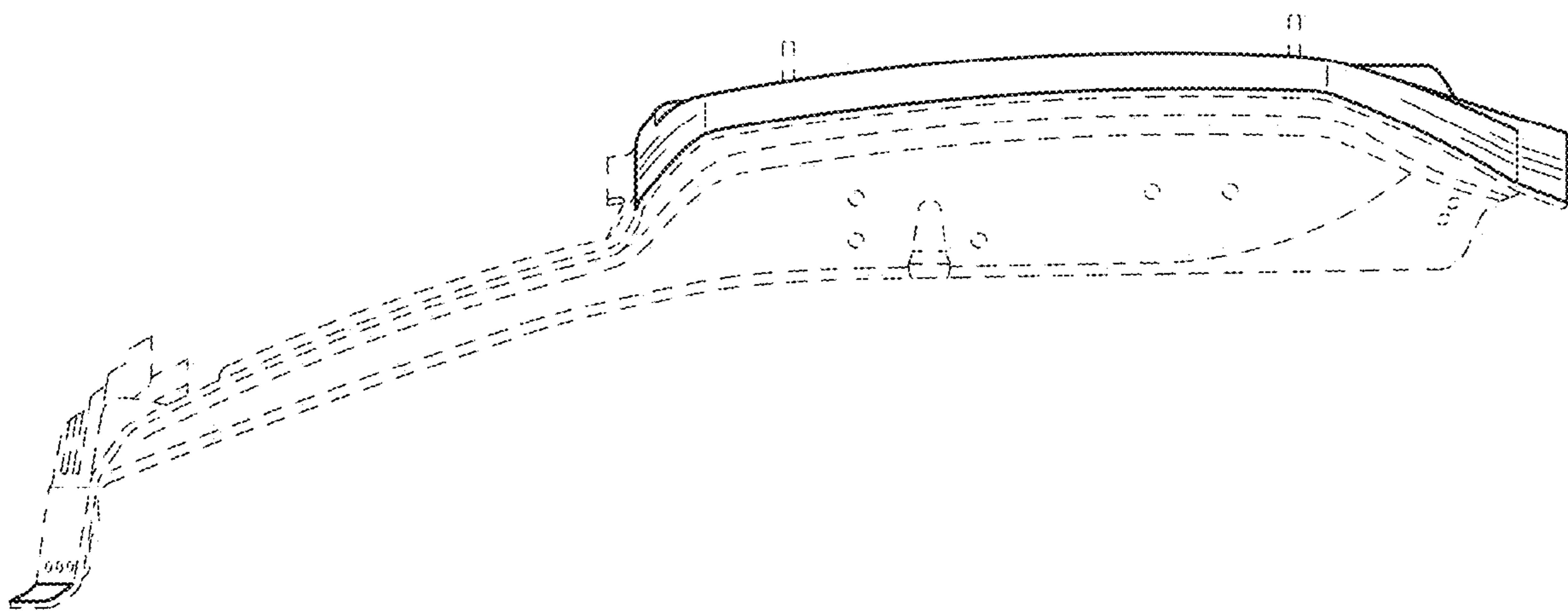
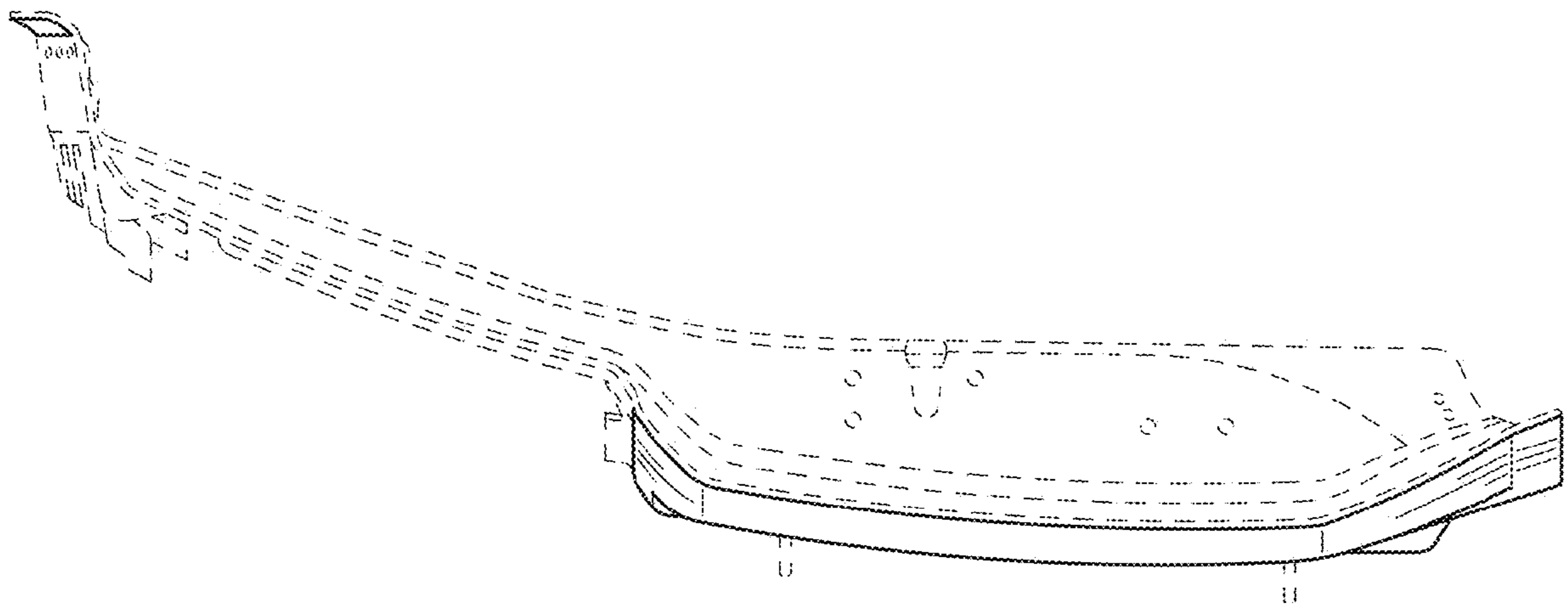


FIG. 4



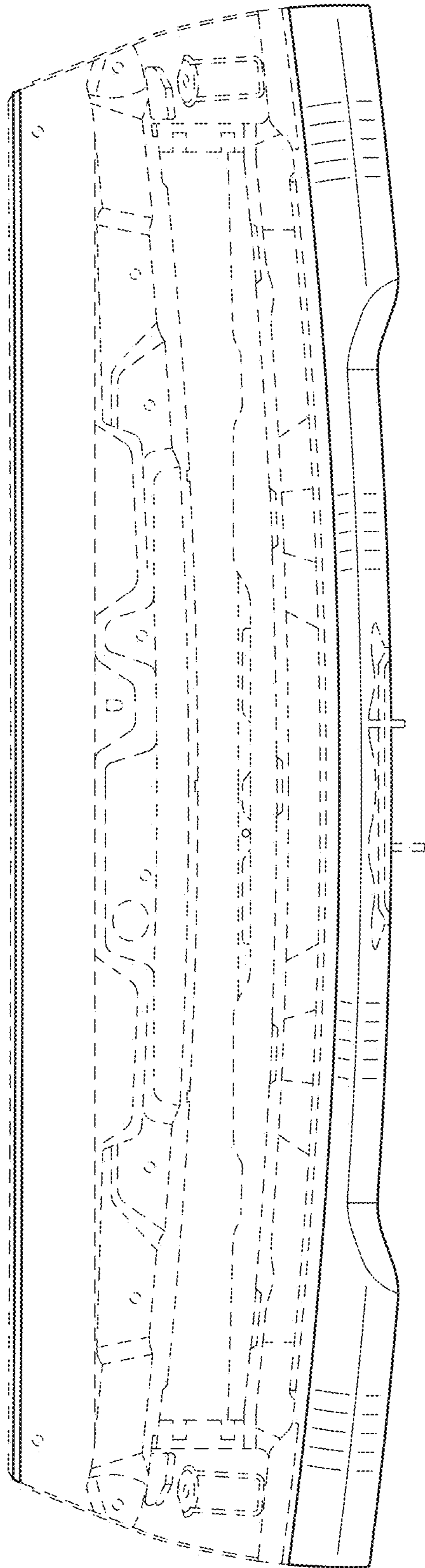


FIG. 5

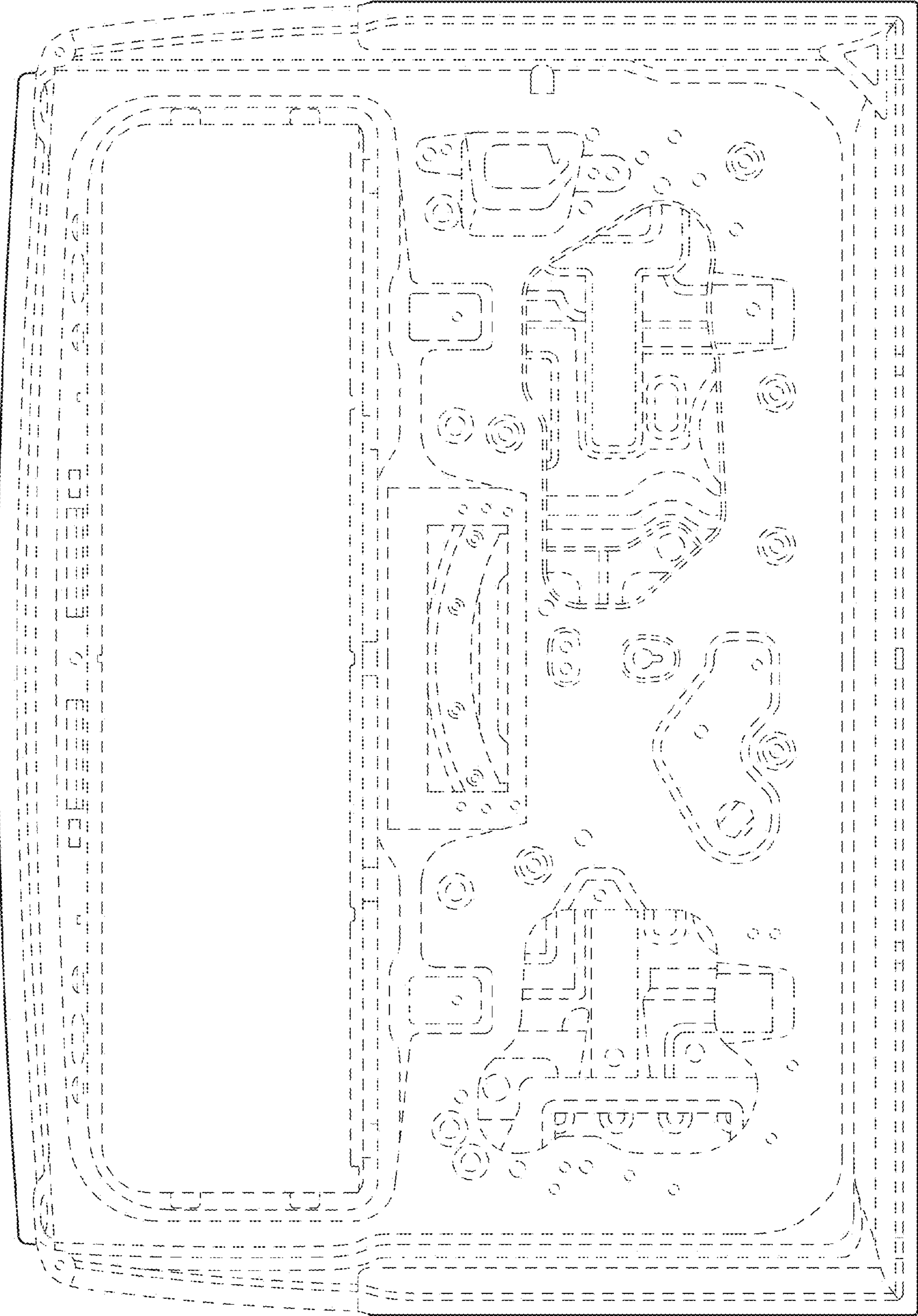


FIG. 6



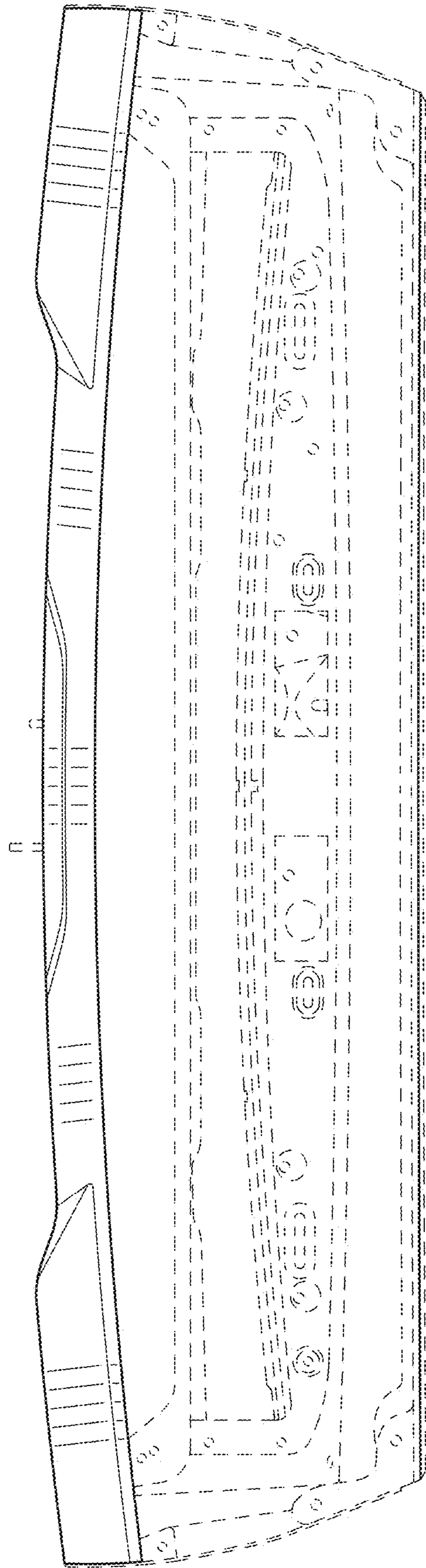


FIG. 7