

US00D969696S

(12) **United States Design Patent**  
**Martinelli**

(10) **Patent No.:** **US D969,696 S**

(45) **Date of Patent:** **\*\* Nov. 15, 2022**

- (54) **ELECTRONIC DISPLAY DEVICE**
- (71) Applicant: **TEXA SPA**, Monastier di Treviso (IT)
- (72) Inventor: **Igor Martinelli**, Monastier di Treviso (IT)
- (73) Assignee: **TEXA SPA**, Monastier di Treviso (IT)
- (\*\*) Term: **15 Years**
- (21) Appl. No.: **29/680,342**
- (22) Filed: **Feb. 15, 2019**
- (51) **LOC (13) Cl.** ..... **12-16**
- (52) **U.S. Cl.**  
USPC ..... **D12/192**
- (58) **Field of Classification Search**  
USPC ..... D12/192, 195, 193, 414, 190, 191,  
D12/319-345; D15/17, 28; D10/46, 98,  
D10/102-103; D8/302-303  
CPC ..... B60J 5/04; B64C 1/062; B64C 39/024;  
B64D 11/003; B64D 11/00  
See application file for complete search history.

- D932,419 S \* 10/2021 Manzoni ..... D12/195
- D948,563 S \* 4/2022 Higgs ..... D14/489
- 2015/0234580 A1\* 8/2015 Secord ..... G06F 3/04847  
715/771
- 2017/0106628 A1\* 4/2017 Hattori ..... B60R 13/02
- 2017/0162168 A1\* 6/2017 Lopez ..... B60K 37/02

\* cited by examiner

*Primary Examiner* — Katrina A Betton

(74) *Attorney, Agent, or Firm* — Mark M. Friedman

(57) **CLAIM**

The ornamental design for an electronic display device, as shown and described.

**DESCRIPTION**

FIG. 1 is a rear view of the electronic display device showing my design;  
 FIG. 2 is a left side view thereof;  
 FIG. 3 is a top view thereof;  
 FIG. 4 is a right side view thereof;  
 FIG. 5 is a front view thereof;  
 FIG. 6 is a bottom view thereof;  
 FIG. 7 is a top perspective view thereof;  
 FIG. 8 is a left side view of a second embodiment of an electronic display device showing my design;  
 FIG. 9 is a top view of the second embodiment;  
 FIG. 10 is a right side view of the second embodiment;  
 FIG. 11 is a front view of the second embodiment;  
 FIG. 12 is a bottom view of the second embodiment;  
 FIG. 13 is a rear view of the second embodiment; and,  
 FIG. 14 is a top perspective view of the second embodiment.

**1 Claim, 14 Drawing Sheets**

(56) **References Cited**

**U.S. PATENT DOCUMENTS**

- D654,415 S \* 2/2012 Mizuno ..... D12/192
- D730,935 S \* 6/2015 Franganillo ..... B60W 30/146  
D14/492
- D792,908 S \* 7/2017 Barajas ..... D14/492
- D858,574 S \* 9/2019 Brinker ..... D14/491
- D915,966 S \* 4/2021 Ahn ..... D12/192
- D921,548 S \* 6/2021 Franganillo ..... D14/491



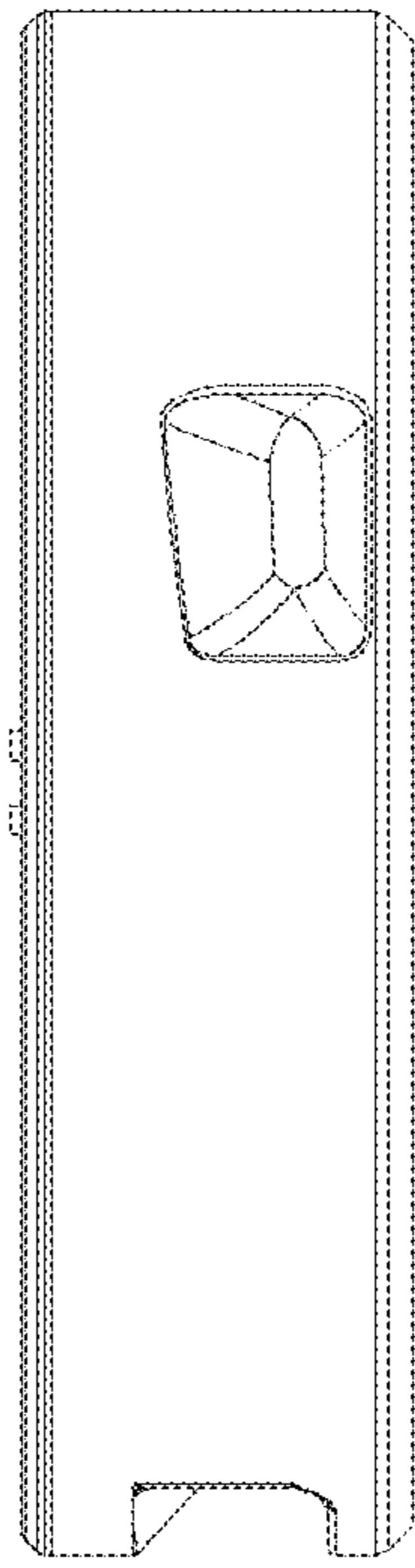


Fig. 1

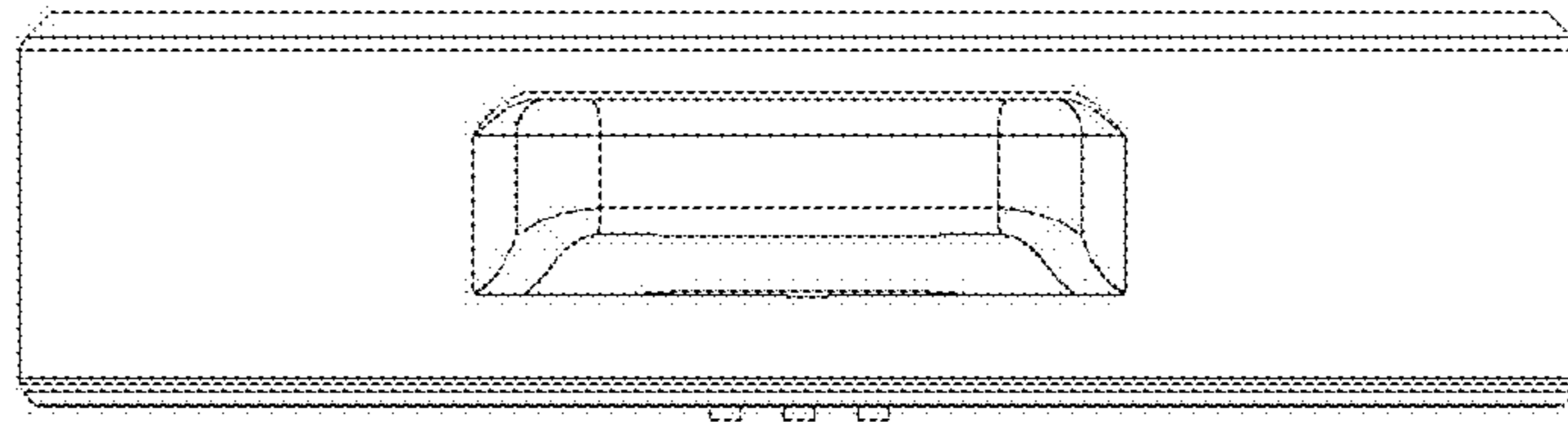


Fig. 2

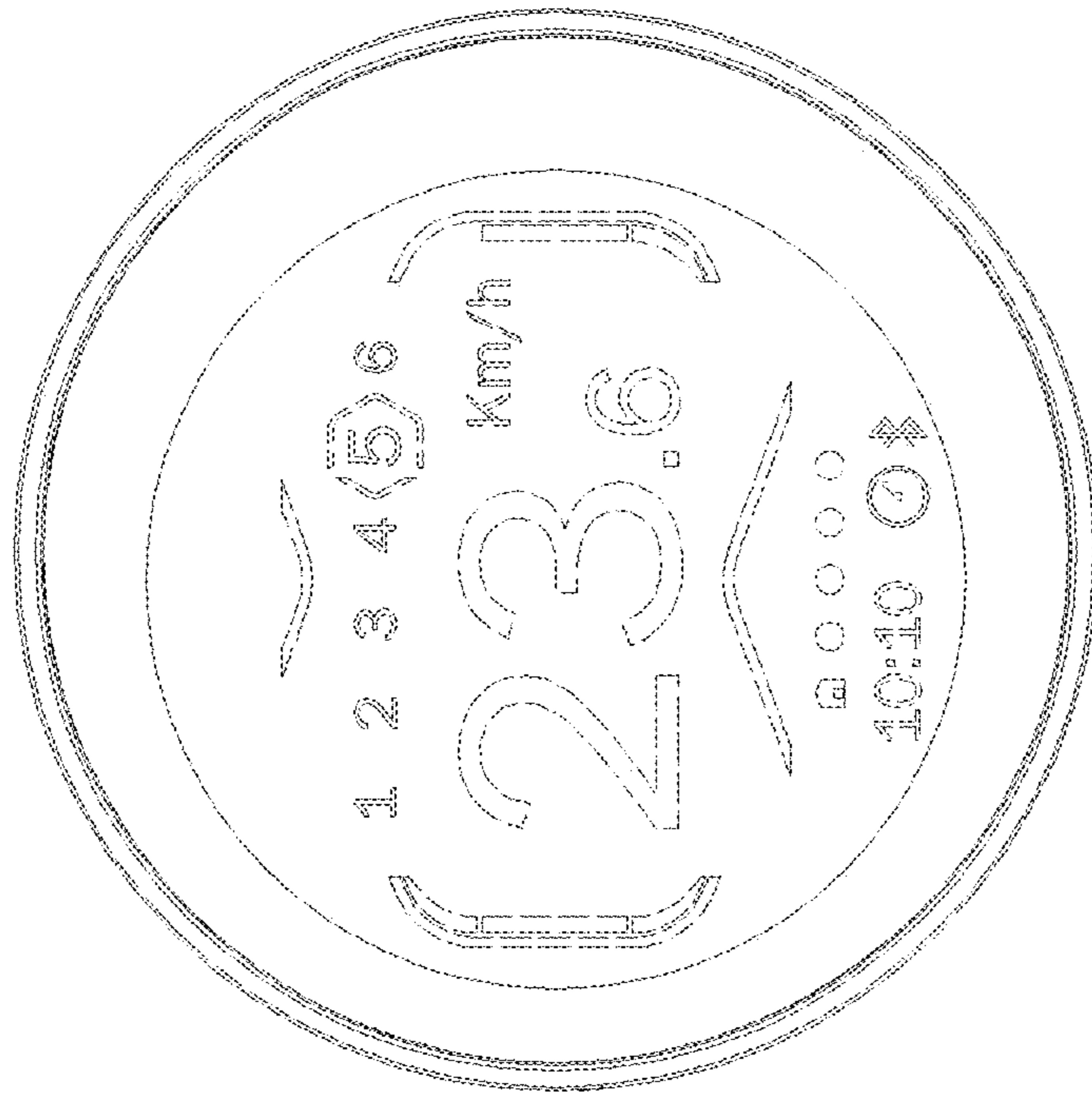


Fig. 3

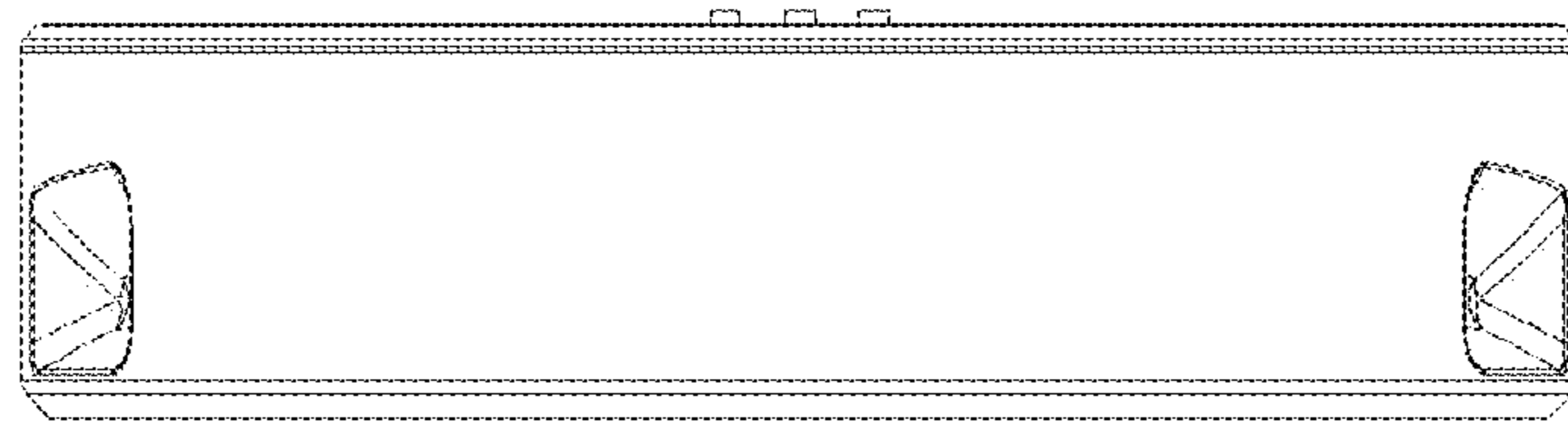


Fig. 4

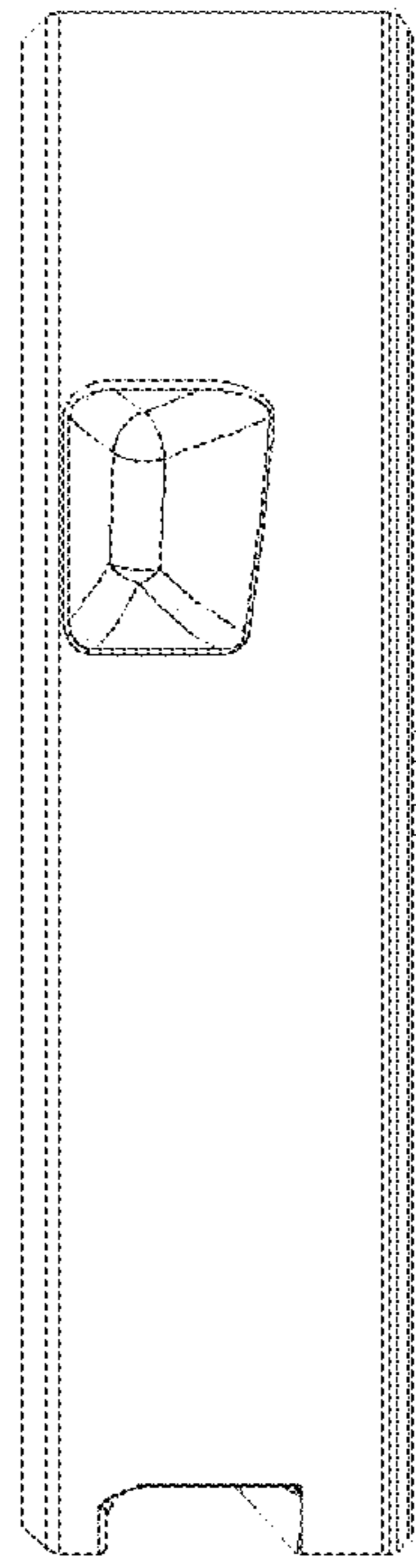


Fig. 5

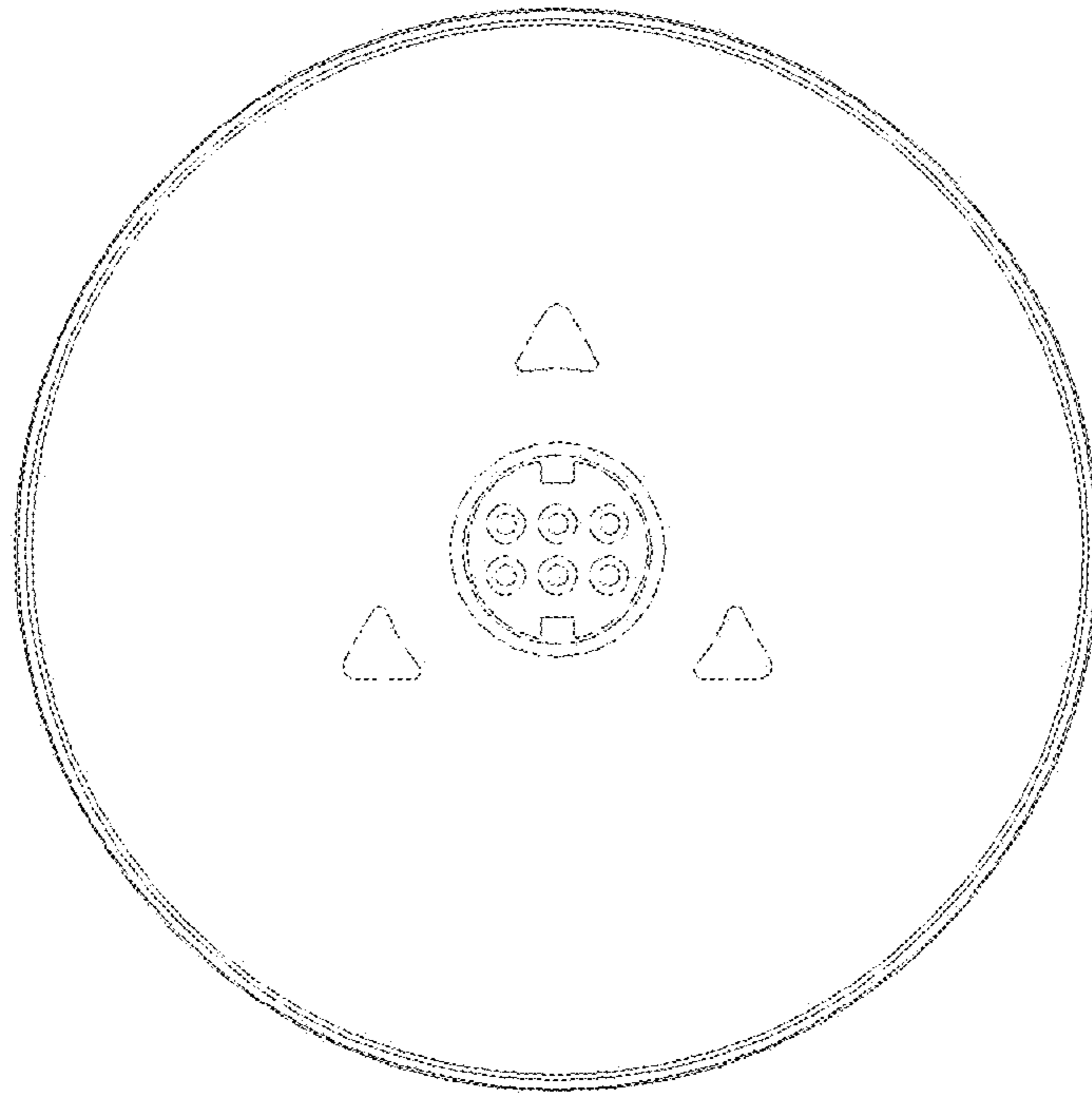


Fig. 6

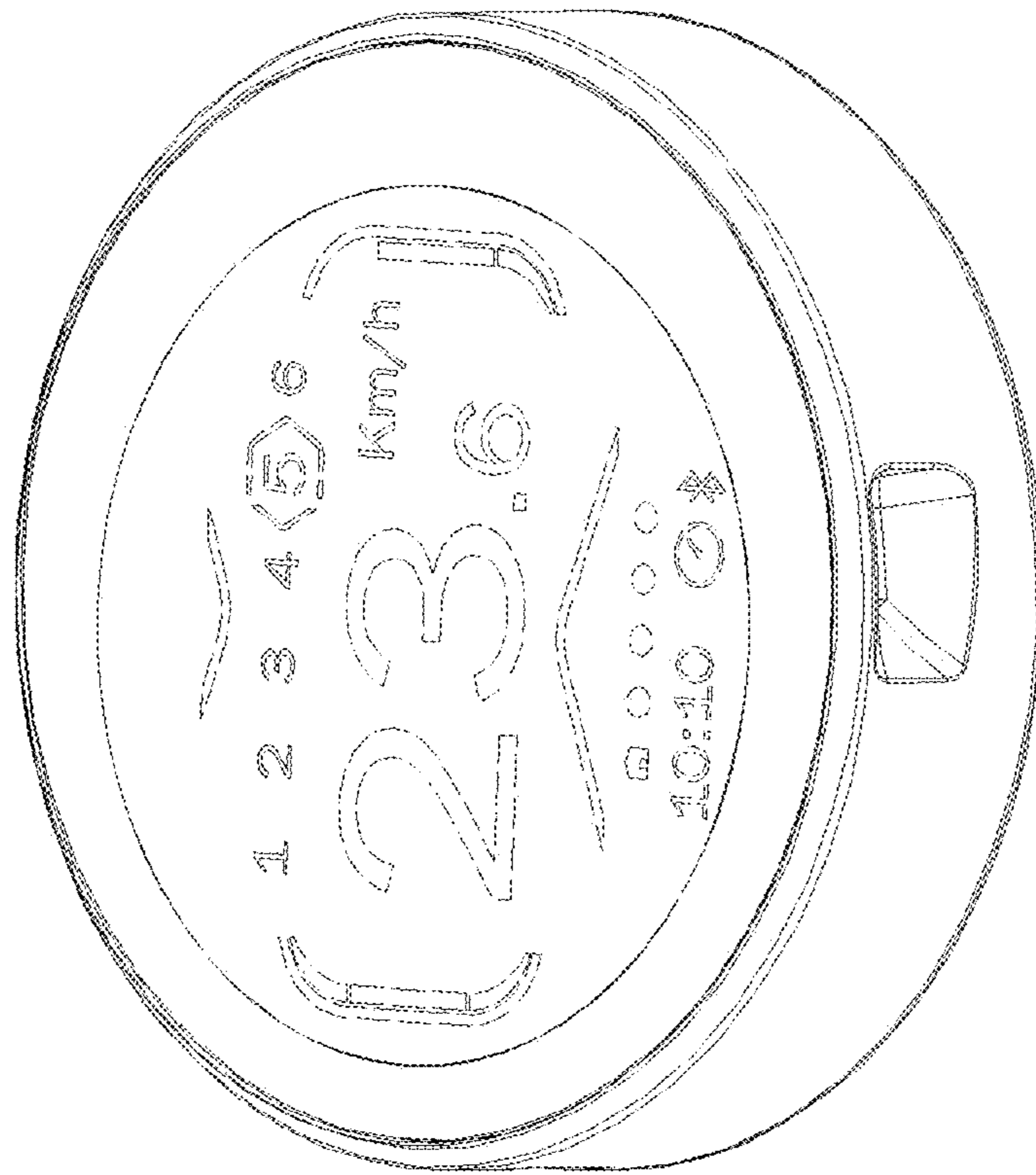


Fig. 7



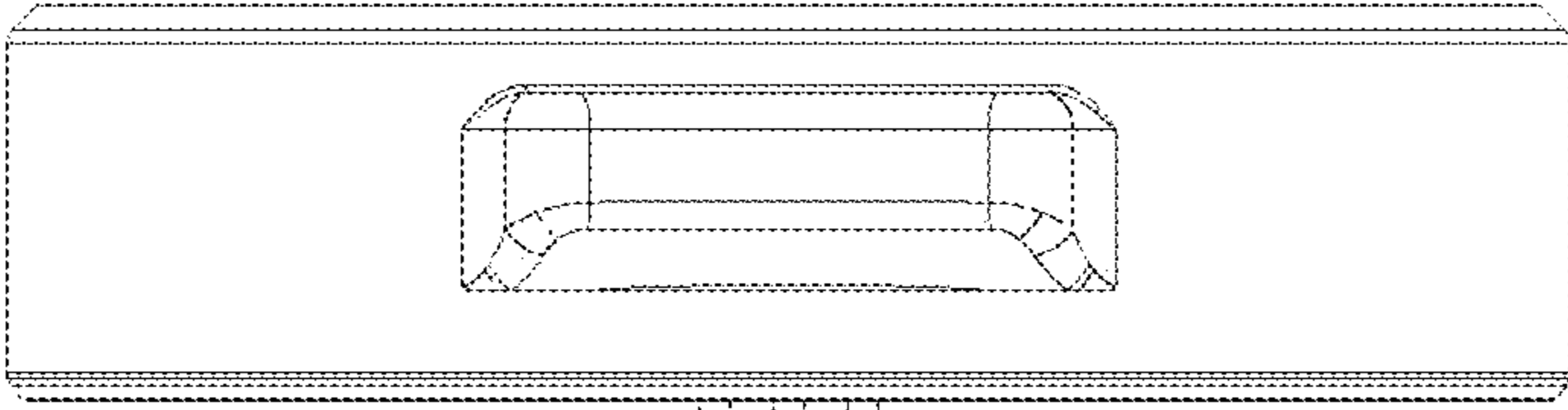


Fig. 8

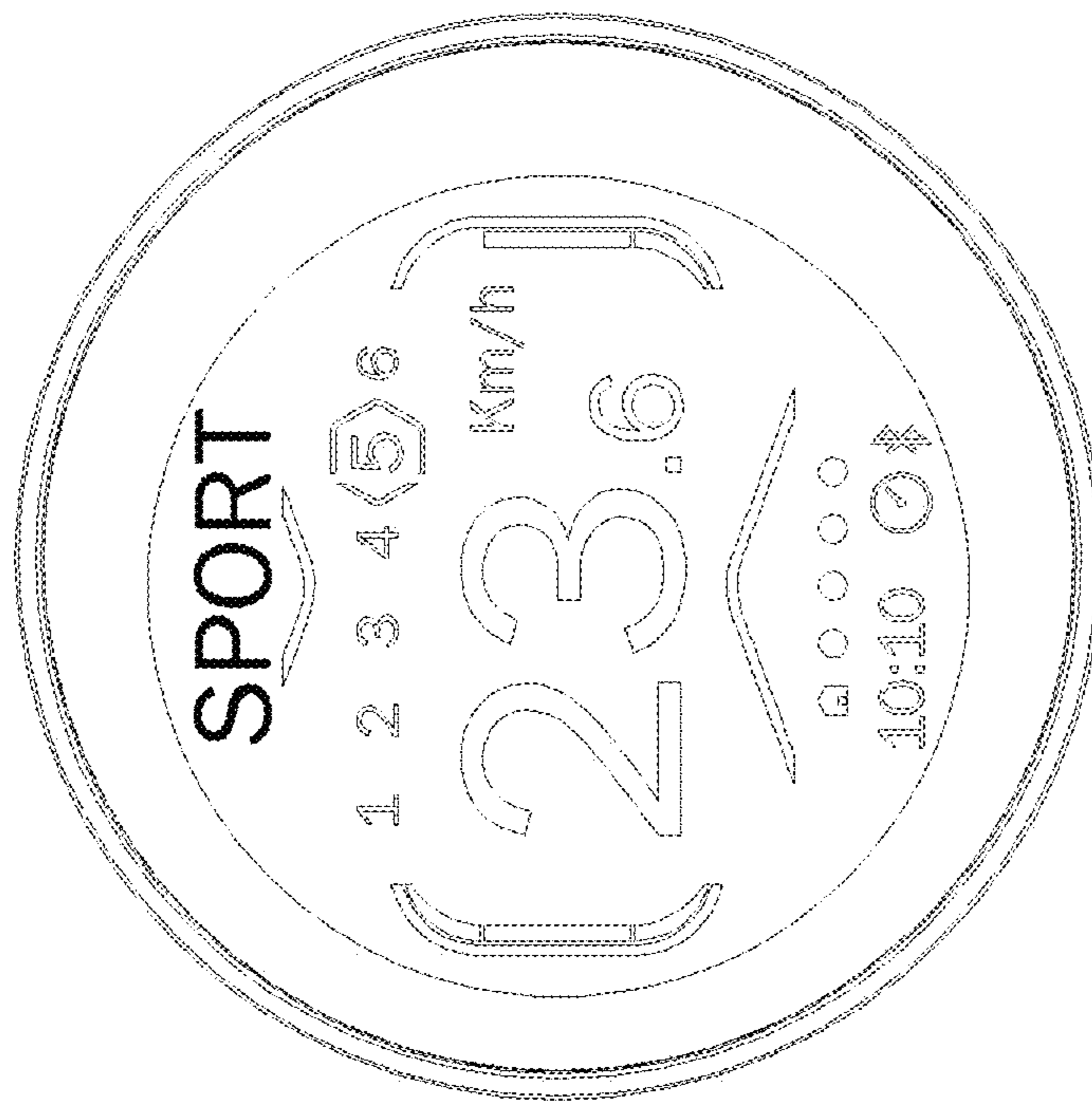


Fig. 9



Fig. 10

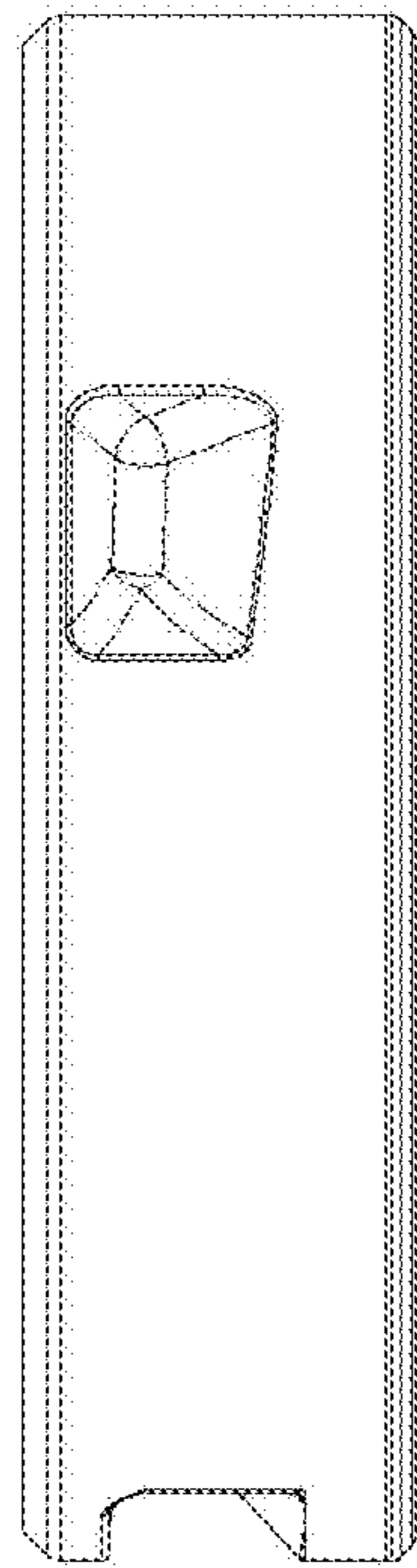


Fig. 11

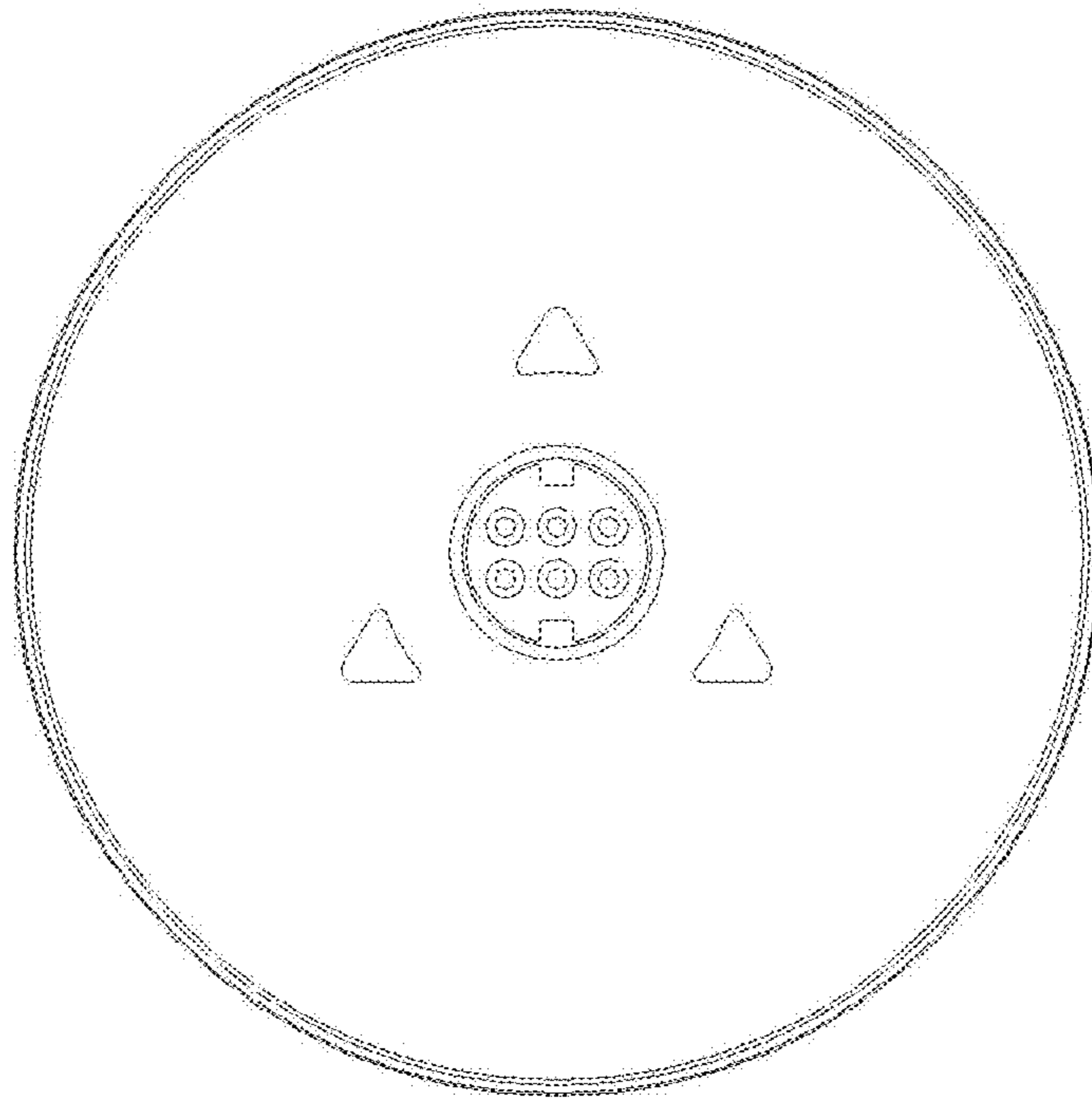


Fig. 12

Fig. 13

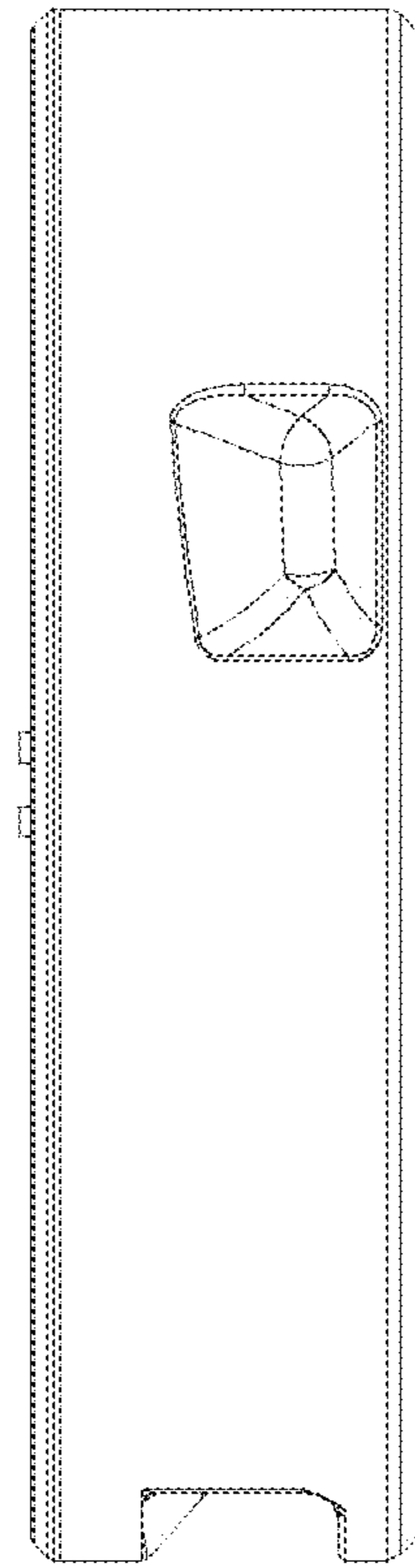


Fig. 14

