



US00D969689S

(12) **United States Design Patent** (10) **Patent No.:** **US D969,689 S**
Vakili (45) **Date of Patent:** **** Nov. 15, 2022**

(54) **STEERING WHEEL OF MOTOR VEHICLE**

(71) Applicant: **Dr. Ing. h.c. F. Porsche**
Aktiengesellschaft, Stuttgart (DE)

(72) Inventor: **Salar Vakili, Stuttgart (DE)**

(73) Assignee: **Dr. Ing. h.c. F. Porsche**
Aktiengesellschaft

(**) Term: **15 Years**

(21) Appl. No.: **29/776,183**

(22) Filed: **Mar. 29, 2021**

(30) **Foreign Application Priority Data**

Oct. 7, 2020 (EM) 8197412-0009

(51) **LOC (13) Cl.** **12-16**

(52) **U.S. Cl.**
USPC **D12/175**

(58) **Field of Classification Search**
USPC D12/175, 176, 177; D14/388, 389, 390,
D14/412, 413, 414, 415, 416, 417, 454,
D14/455; D21/324, 333
CPC A63F 13/20; A63F 13/24; A63F 13/245;
A63F 13/98

See application file for complete search history.

(56) **References Cited**

U.S. PATENT DOCUMENTS

| | | | | |
|--------------|---------|-------------|-------|---------|
| D797,620 S * | 9/2017 | LeFranc | | D12/176 |
| D813,123 S * | 3/2018 | Allison | | D12/175 |
| D839,802 S * | 2/2019 | Hilton | | D12/175 |
| D867,237 S * | 11/2019 | Resta | | D12/175 |
| D870,004 S * | 12/2019 | Hill | | D12/175 |
| D893,369 S * | 8/2020 | Kafantaris | | D12/175 |
| D911,447 S * | 2/2021 | Conrad | | D21/333 |
| D931,167 S * | 9/2021 | Kim | | D12/175 |
| D936,538 S * | 11/2021 | Resta | | D12/175 |
| D944,149 S * | 2/2022 | Diboine | | D12/176 |
| D946,478 S * | 3/2022 | Park | | D12/176 |
| D954,840 S * | 6/2022 | Jackermeier | | D21/333 |
| D955,489 S * | 6/2022 | Conrad | | D21/333 |

OTHER PUBLICATIONS

Steering Wheels. (Design—© Questel) orbit.com. [Online PDF compilation of references] 44 pgs. Print Dates Range Apr. 25, 2022-Apr. 18, 2022 [Retrieved Aug. 24, 2022].*

Greimel, Hans. How Lexus one-upped Tesla on its new yoke steering system. Jul. 8, 2022. Automotive News. <https://www.autonews.com/cars-concepts/how-lexus-one-upped-tesla-its-new-yoke-steering-system>.*

Loveday, Steven. Refreshed Tesla Model S & X Steering Yoke Approved In The Netherlands. Feb. 3, 2021. Inside EVs. <https://insideevs.com/news/485626/tesla-model-s-x-refresh-steering-yoke-approved-netherlands/>.*

Toberer, Nadine. Porsche Vision Gran Turismo—the virtual racing car of the future. Jun. 12, 2021. Newsroom. <https://newsroom.porsche.com/en/2021/products/porsche-vision-gran-turismo-virtual-racing-car-visionary-concept-car-world-premiere-26694.html>.*

* cited by examiner

Primary Examiner — George D. Kirschbaum

Assistant Examiner — Suzanne E Tisdell

(74) *Attorney, Agent, or Firm* — RatnerPrestia

(57) **CLAIM**

The ornamental design for a steering wheel of motor vehicle, as shown and described.

DESCRIPTION

FIG. 1 is a perspective view of a steering wheel of motor vehicle;

FIG. 2 is a front view thereof;

FIG. 3 is a rear view thereof;

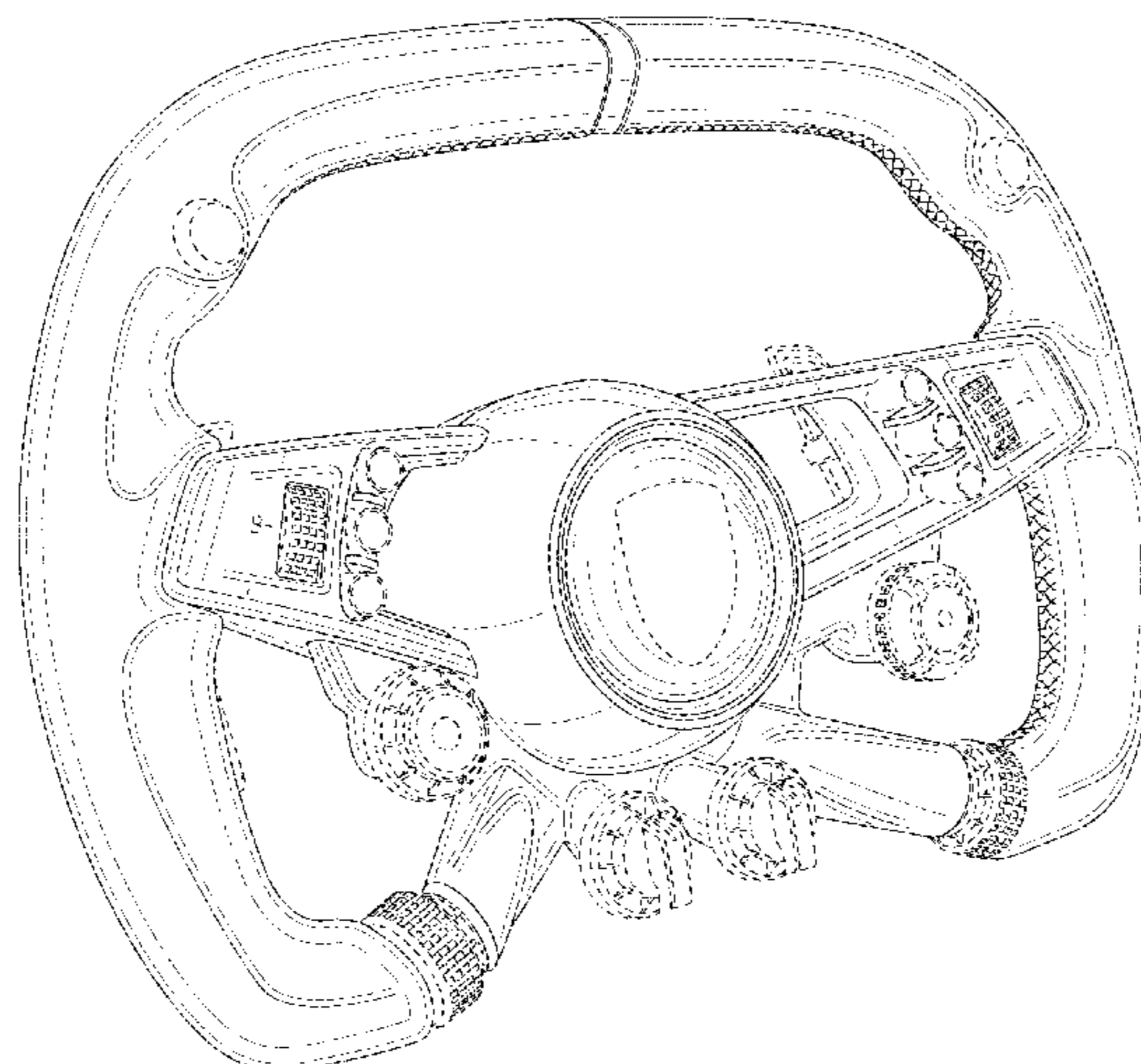
FIG. 4 is a right side view thereof, the left side being a mirror image thereof;

FIG. 5 is a top plan view thereof; and,

FIG. 6 is a bottom plan view thereof.

The broken line showing is included for the purpose of illustrating features and environment and forms no part of the claimed design.

1 Claim, 6 Drawing Sheets



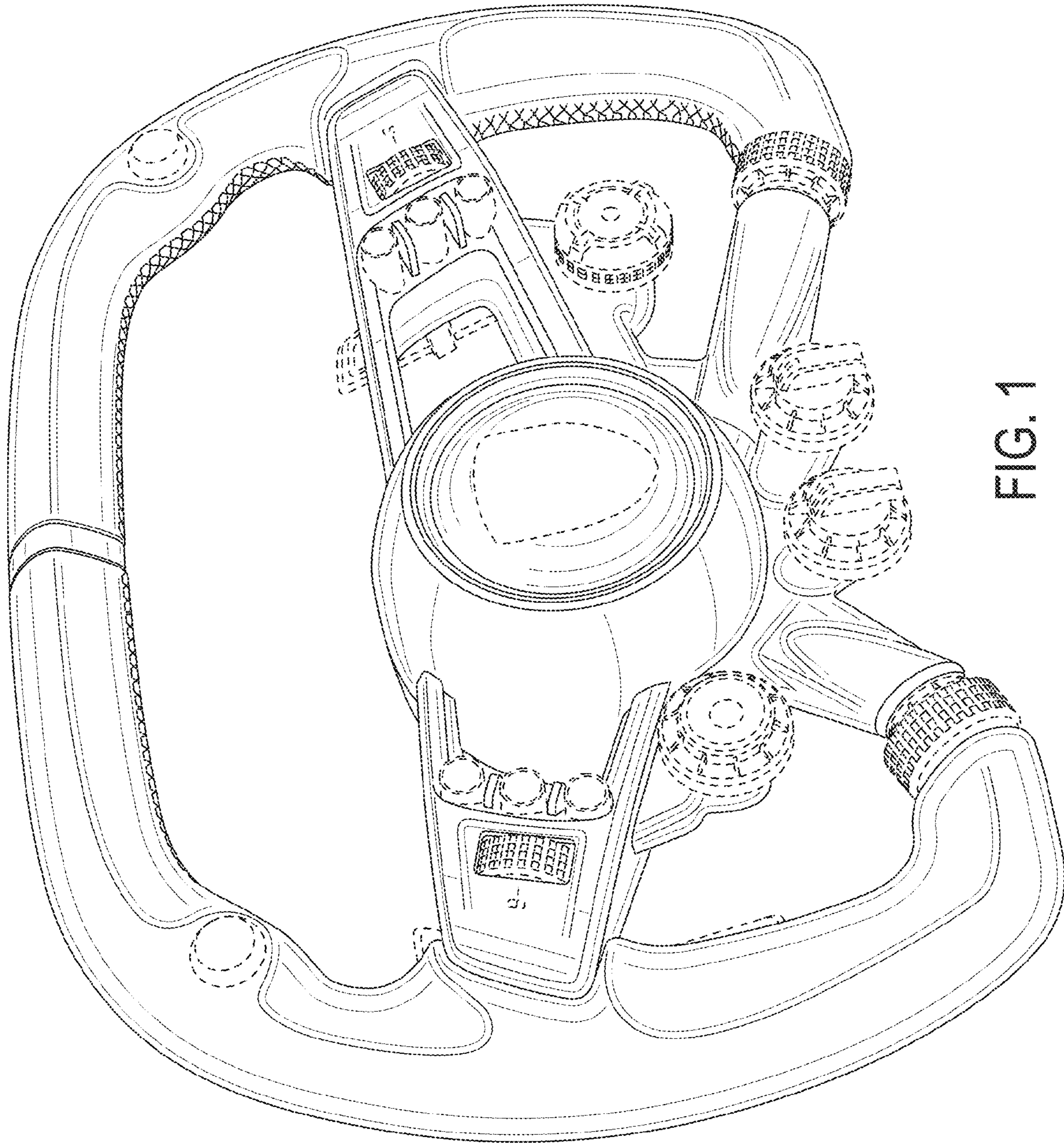


FIG. 1

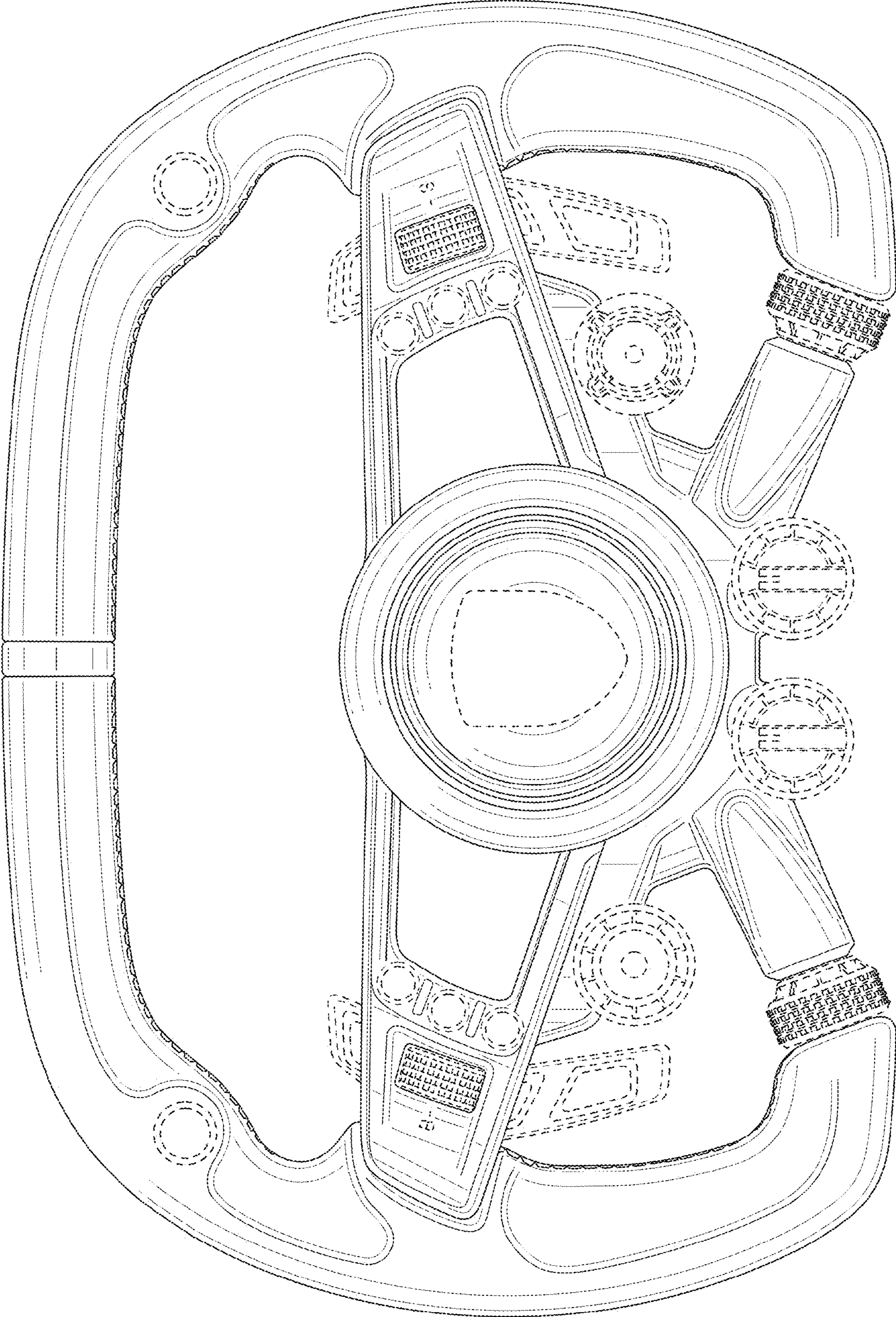


FIG. 2

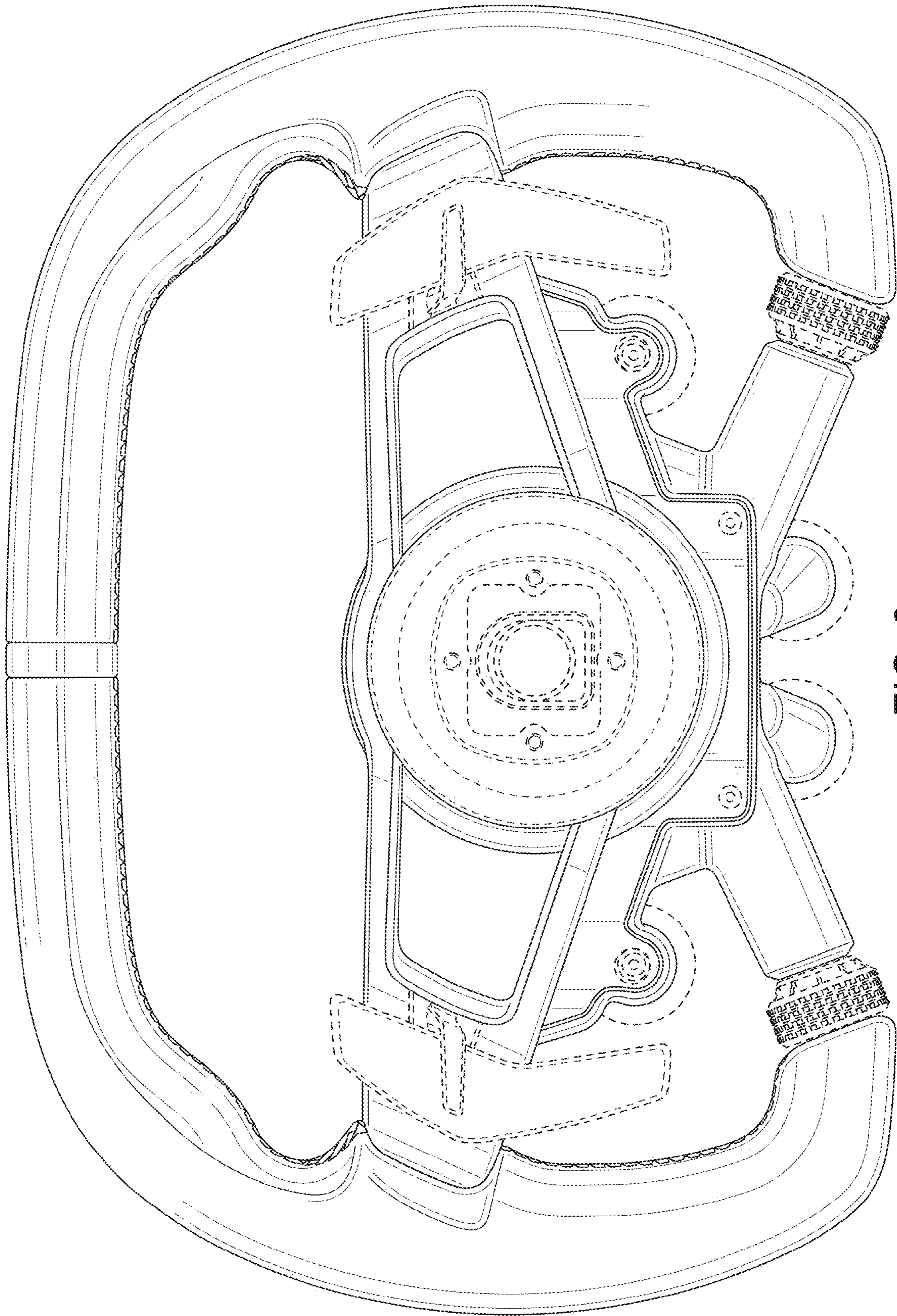


FIG. 3

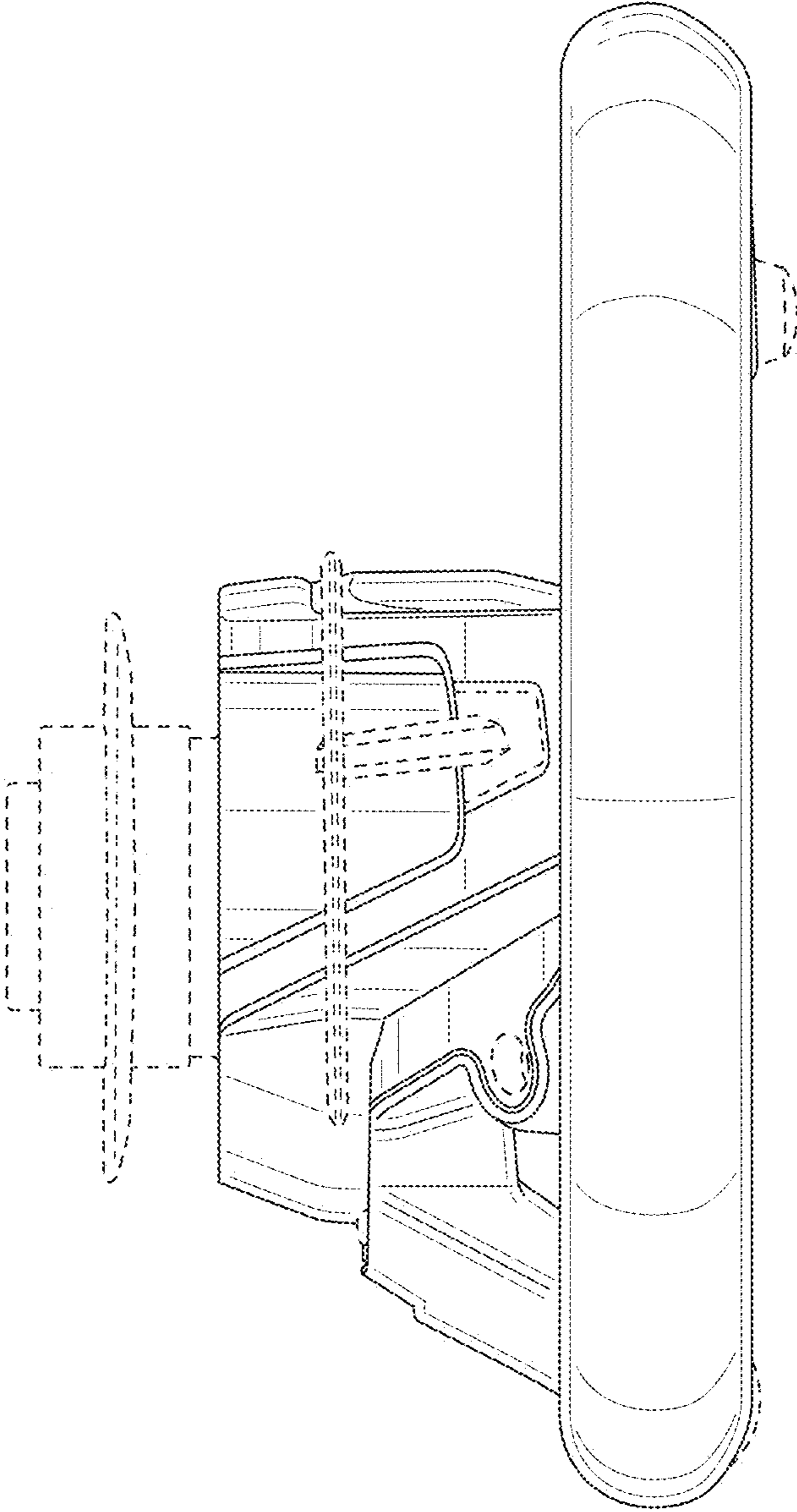


FIG. 4

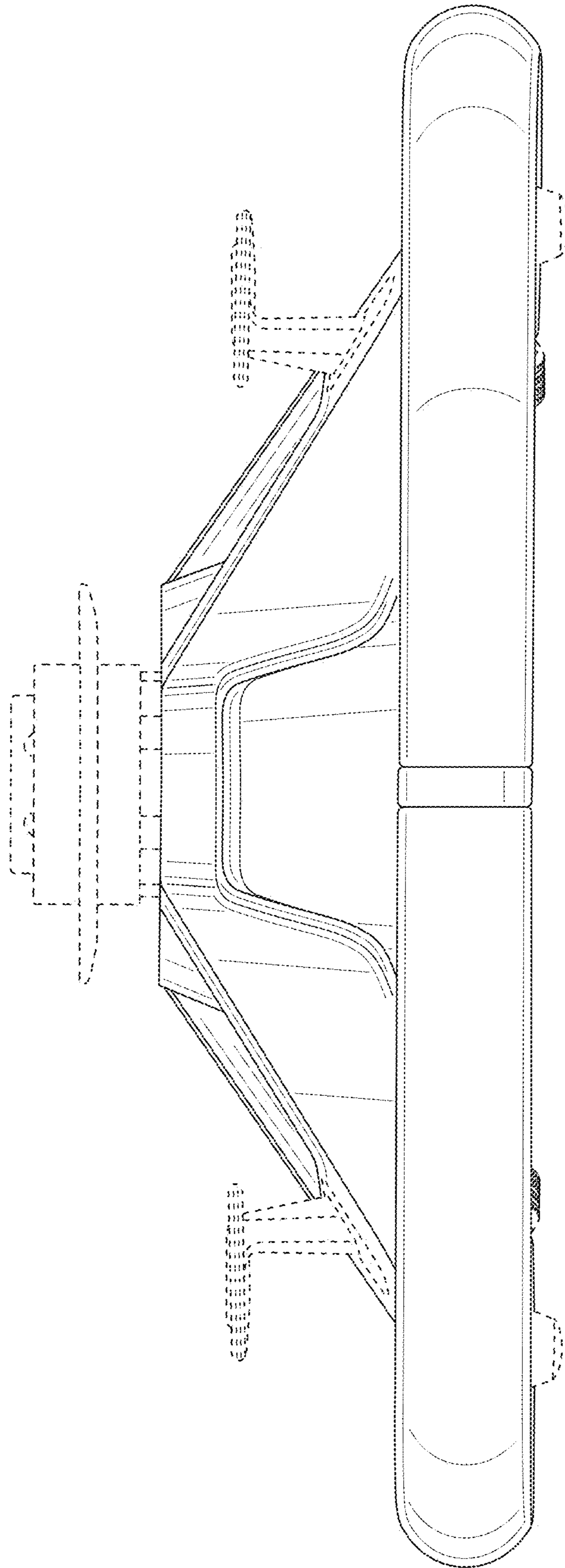


FIG. 5

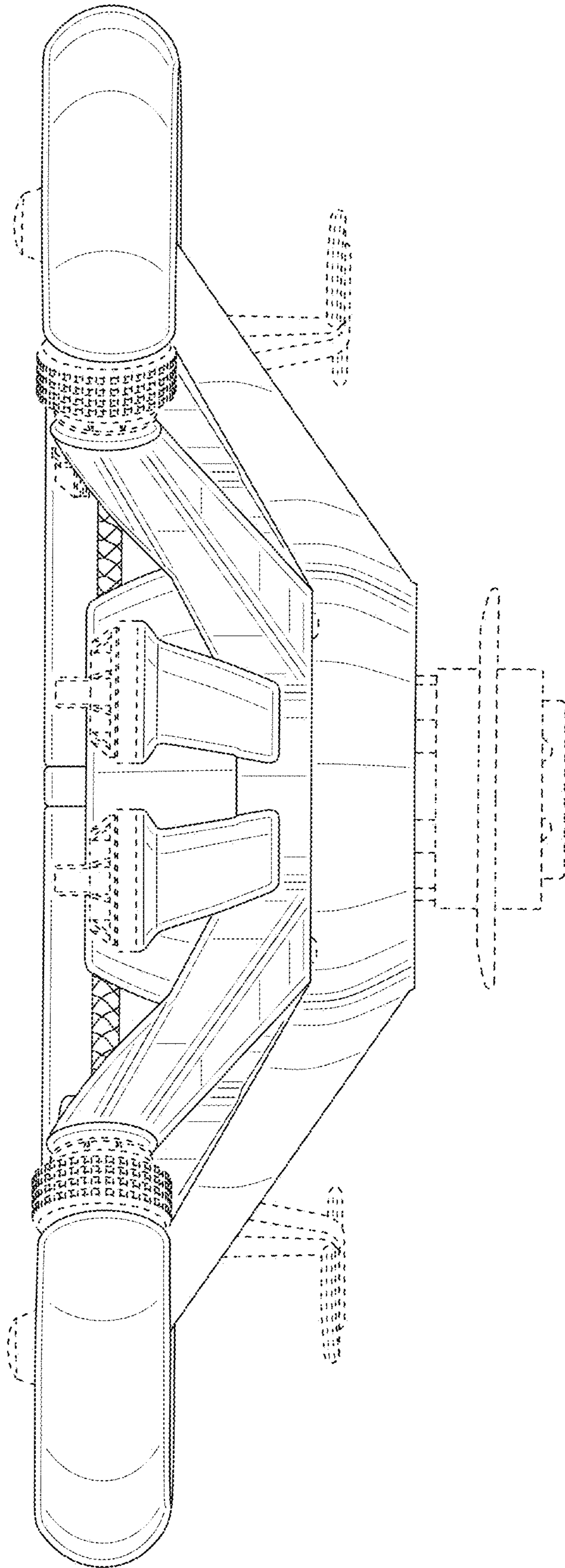


FIG. 6