



US00D969682S

(12) **United States Design Patent** (10) **Patent No.:** **US D969,682 S**
Ruiz (45) **Date of Patent:** **** Nov. 15, 2022**

(54) **VEHICLE FRONT CORNER BUMPER**
(71) Applicant: **GM GLOBAL TECHNOLOGY OPERATIONS LLC**, Detroit, MI (US)
(72) Inventor: **Gary W. Ruiz**, Royal Oak, MI (US)
(73) Assignee: **GM Global Technology Operations LLC**, Detroit, MI (US)

D776,583 S 1/2017 Scheer et al.
D786,149 S 5/2017 Pevovar et al.
D787,990 S 5/2017 Kozub et al.
D792,293 S 7/2017 McCabe et al.
D792,295 S 7/2017 McCabe et al.
D792,815 S 7/2017 Kozub
D792,816 S 7/2017 Kozub

(Continued)

(**) Term: **15 Years**

(21) Appl. No.: **29/771,473**

(22) Filed: **Feb. 23, 2021**

(51) **LOC (13) Cl.** **12-16**

(52) **U.S. Cl.**
USPC **D12/169**

(58) **Field of Classification Search**
USPC D12/86, 90, 91, 92, 93, 96, 97, 163, 169,
D12/171, 172, 173, 196, 216
CPC B60R 19/02; B60R 19/04; B62D 25/08
See application file for complete search history.

(56) **References Cited**

U.S. PATENT DOCUMENTS

D614,105 S * 4/2010 Elliott D12/169
D681,516 S * 5/2013 Jara D12/196
D717,703 S 11/2014 Munson et al.
D720,668 S 1/2015 Pevovar et al.
D745,837 S 12/2015 Smith et al.
D749,021 S 2/2016 Boniface et al.
D751,007 S * 3/2016 Curie D12/196
D753,034 S 4/2016 Thole et al.
D753,559 S 4/2016 McMahan et al.
D753,560 S 4/2016 McMahan et al.
D771,532 S 11/2016 Kapitonov
D771,533 S 11/2016 Kapitonov
D771,538 S * 11/2016 Brzustowicz D12/172
D772,766 S 11/2016 Kozub et al.
D772,767 S 11/2016 Kim
D775,007 S 12/2016 Thole et al.
D775,010 S 12/2016 Kim et al.

OTHER PUBLICATIONS

Bumpers. (Design—© Questel) orbit.com. [Online PDF compilation of references] 48 pgs. Print Dates Range May 27, 2022-Feb. 23, 2022 [Retrieved Sep. 7, 2022].*

(Continued)

Primary Examiner — George D. Kirschbaum
Assistant Examiner — Suzanne E Tisdell

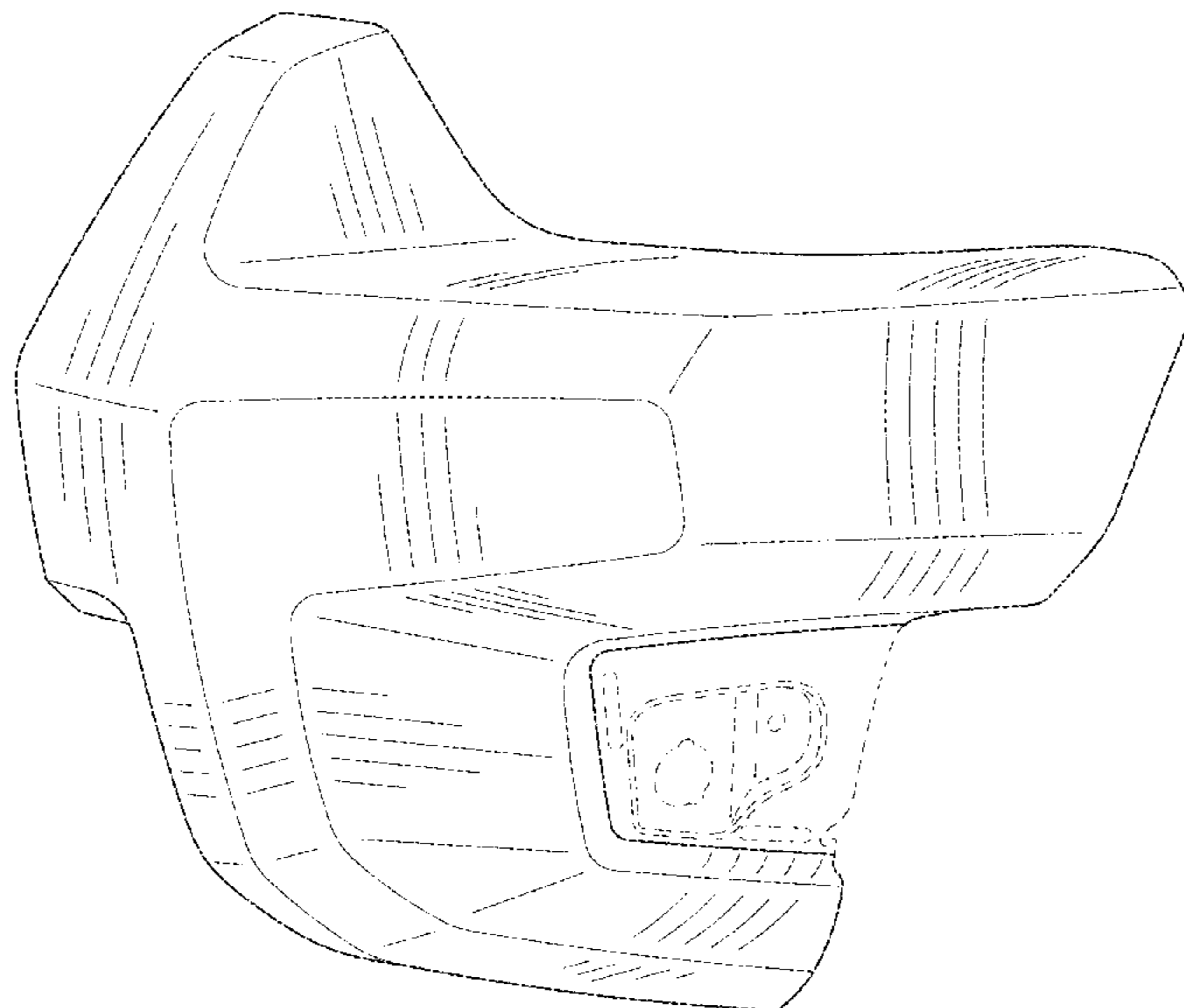
(57) **CLAIM**

The ornamental design for a vehicle front corner bumper, as shown and described.

DESCRIPTION

FIG. 1 is a front and left perspective view of a vehicle front corner bumper showing my new design; a vehicle front corner bumper that is substantially the mirror image of FIG. 1 without an engine heater chord opening is also claimed, but not shown;
FIG. 2 is a front elevation view of the vehicle front corner bumper of FIG. 1;
FIG. 3 is a left elevation view thereof;
FIG. 4 is a right elevation view thereof;
FIG. 5 is a top view thereof;
FIG. 6 is a back elevation view thereof; and,
FIG. 7 is a bottom view thereof.
The broken lines in the drawings depict portions of the vehicle front corner bumper that form no part of the claimed design.

1 Claim, 7 Drawing Sheets



(56)

References Cited

U.S. PATENT DOCUMENTS

D793,292 S 8/2017 Lee
 D793,293 S 8/2017 Lee et al.
 D793,296 S 8/2017 Smith et al.
 D793,297 S 8/2017 Smith et al.
 D793,301 S 8/2017 Kozub
 D793,302 S 8/2017 Kozub
 D798,204 S 9/2017 Mainville
 D802,496 S 11/2017 Mainville
 D811,957 S 3/2018 Whitla et al.
 D811,960 S 3/2018 Nakamura
 D811,964 S 3/2018 Perkins
 D812,526 S 3/2018 Zipfel et al.
 D812,527 S 3/2018 Perkins
 D812,528 S 3/2018 Nakamura
 D813,109 S 3/2018 Zipfel et al.
 D813,734 S 3/2018 Nakamura
 D814,369 S 4/2018 Loeb
 D816,558 S 5/2018 McMahan et al.
 D816,559 S 5/2018 McMahan et al.
 D816,561 S 5/2018 McMahan
 D816,562 S 5/2018 Whitla et al.
 D816,564 S 5/2018 Kim
 D816,566 S 5/2018 Loeb
 D818,406 S 5/2018 McMahan et al.
 D820,173 S 6/2018 McMahan
 D820,174 S 6/2018 Whitla et al.
 D821,941 S 7/2018 Mack et al.
 D821,950 S 7/2018 Kozub
 D822,550 S 7/2018 Wassell et al.
 D826,114 S 8/2018 Smith et al.
 D826,803 S 8/2018 Smith et al.
 D837,109 S 1/2019 Kozub et al.
 D840,293 S 2/2019 Koo et al.
 D841,532 S 2/2019 Koo et al.
 D843,275 S 3/2019 Koo et al.
 D845,187 S 4/2019 Pinazzo et al.
 D845,190 S 4/2019 Zipfel
 D845,196 S 4/2019 Kozub
 D847,042 S 4/2019 Pinazzo et al.
 D847,044 S 4/2019 Zipfel
 D847,704 S 5/2019 Zipfel
 D847,705 S 5/2019 Zipfel
 D847,707 S 5/2019 Park Cheng et al.
 D847,714 S 5/2019 Mack et al.
 D848,318 S 5/2019 McMahan et al.
 D848,322 S 5/2019 Mack et al.
 D848,323 S 5/2019 Mack et al.
 D848,324 S 5/2019 Thurber et al.
 D848,325 S 5/2019 Thurber et al.
 D850,989 S 6/2019 Kozub
 D851,555 S 6/2019 Whitla et al.
 D851,556 S 6/2019 Thurber et al.
 D851,557 S 6/2019 Thurber et al.
 D851,560 S 6/2019 Yong et al.
 D851,561 S 6/2019 Yong et al.
 D853,904 S 7/2019 Koo et al.
 D854,979 S 7/2019 Krieg et al.
 D855,508 S 8/2019 Wilkins et al.
 D855,509 S 8/2019 Wilkins
 D856,204 S 8/2019 Kapitonov
 D856,206 S 8/2019 De Leon
 D856,864 S 8/2019 Kapitonov

D856,874 S 8/2019 Kozub
 D856,875 S 8/2019 Kozub
 D860,075 S 9/2019 Riggs et al.
 D860,076 S 9/2019 Bartels et al.
 D860,078 S 9/2019 O'Donnell et al.
 D862,337 S 10/2019 Pinazzo et al.
 D863,140 S 10/2019 Wilkins et al.
 D863,147 S 10/2019 Zipfel
 D863,149 S 10/2019 Luke et al.
 D863,150 S 10/2019 Krieg et al.
 D863,152 S 10/2019 Kozub
 D864,057 S 10/2019 Krieg et al.
 D867,232 S 11/2019 Izard
 D868,639 S 12/2019 Wilkins et al.
 D868,650 S 12/2019 Gifford
 D868,651 S 12/2019 Gifford
 D868,656 S 12/2019 De Leon
 D870,619 S 12/2019 Gifford
 D873,733 S 1/2020 Kozub
 D874,362 S 2/2020 Izard
 D877,001 S 3/2020 Izard
 D877,002 S 3/2020 Izard
 D877,003 S 3/2020 Izard
 D877,004 S 3/2020 Wilkins et al.
 D877,007 S 3/2020 Zipfel
 D877,009 S 3/2020 Luke et al.
 D881,083 S 4/2020 Blanski et al.
 D882,466 S 4/2020 Yong et al.
 D885,265 S 5/2020 Zipfel
 D887,323 S 6/2020 Zipfel
 D889,331 S 7/2020 O'Donnell et al.
 D892,003 S 8/2020 Zipfel
 D894,060 S 8/2020 Izard
 D894,061 S 8/2020 Zipfel
 D902,802 S 11/2020 Choi et al.
 D902,803 S 11/2020 Choi et al.
 D902,817 S 11/2020 Choi et al.
 D902,818 S 11/2020 Choi et al.
 D903,567 S 12/2020 Choi et al.
 D927,372 S * 8/2021 Phan D12/169
 D930,521 S * 9/2021 Choi D12/169
 D933,551 S * 10/2021 Wraith D12/169
 D937,151 S * 11/2021 Wraith D12/169
 D937,156 S * 11/2021 Kaoud D12/169
 D945,331 S * 3/2022 Koo D12/169
 D954,615 S * 6/2022 Hamilton D12/169
 D955,940 S * 6/2022 Buller D12/169
 D960,058 S * 8/2022 Phan D12/169

OTHER PUBLICATIONS

Replacement 2017 Ford Escape—Bumper End. 2017. Car Parts. https://www.carparts.com/details/Ford/Escape/Replacement/Bumper_End/2017/RF76110004Q.html?TID=gglpla&origin=&utm_source=google&utm_medium=pla&utm_campaign=12175862315&gclid=EAAlQobChMI3u3j1f6D-glVFhmtBh0N9Ar4EAKYAiABEgL7FvD_BwE&gclsrc=aw.ds.*
 Ford Transit Custom Rear Bumper Corner. OI Media. https://www.oimedia.com/index.php?main_page=product_info&products_id=795125.*
 Buick Enclave Rear Bumper. 2018. eBay. https://www.ebay.com/itm/363633086168.*

* cited by examiner

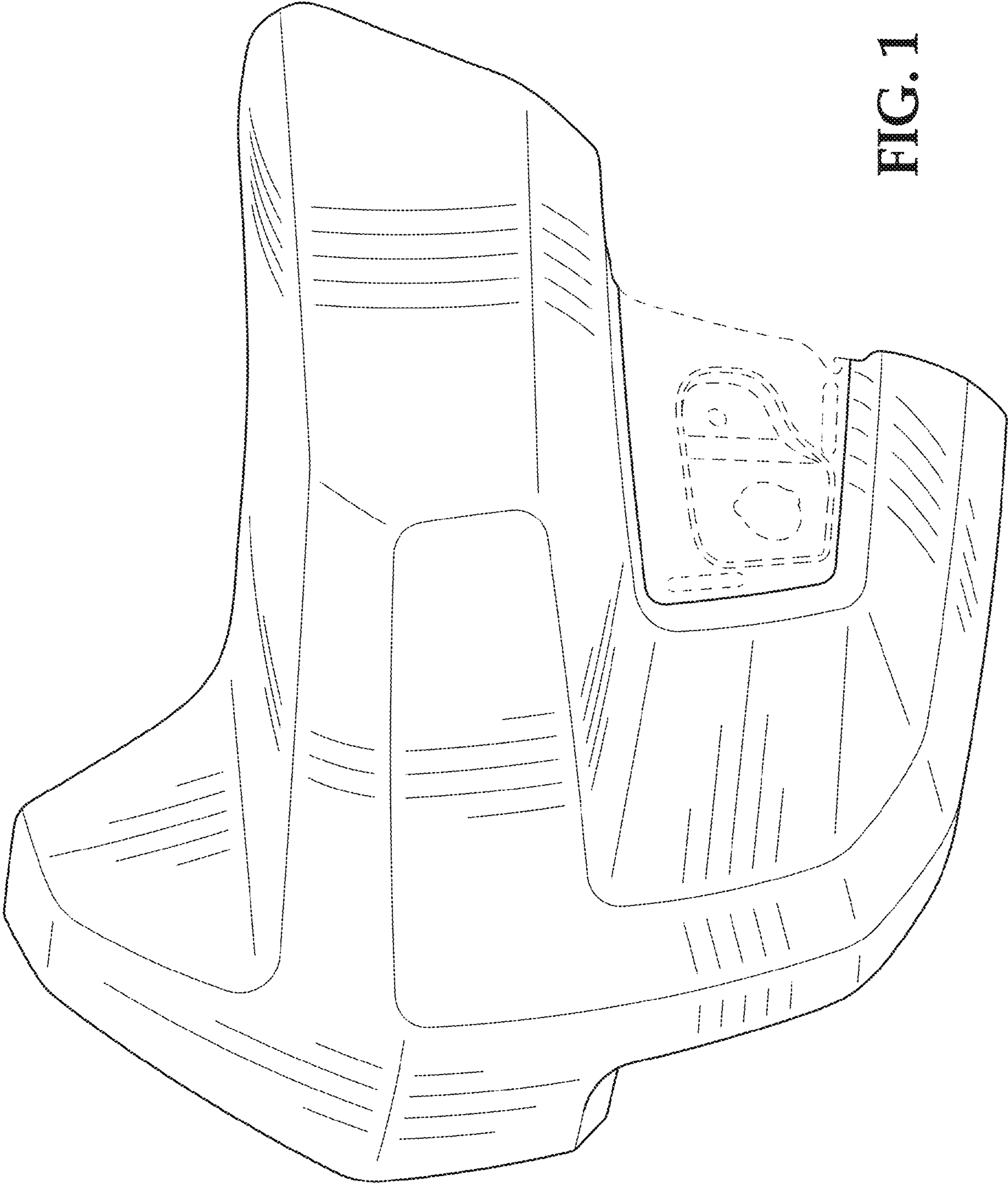


FIG. 1

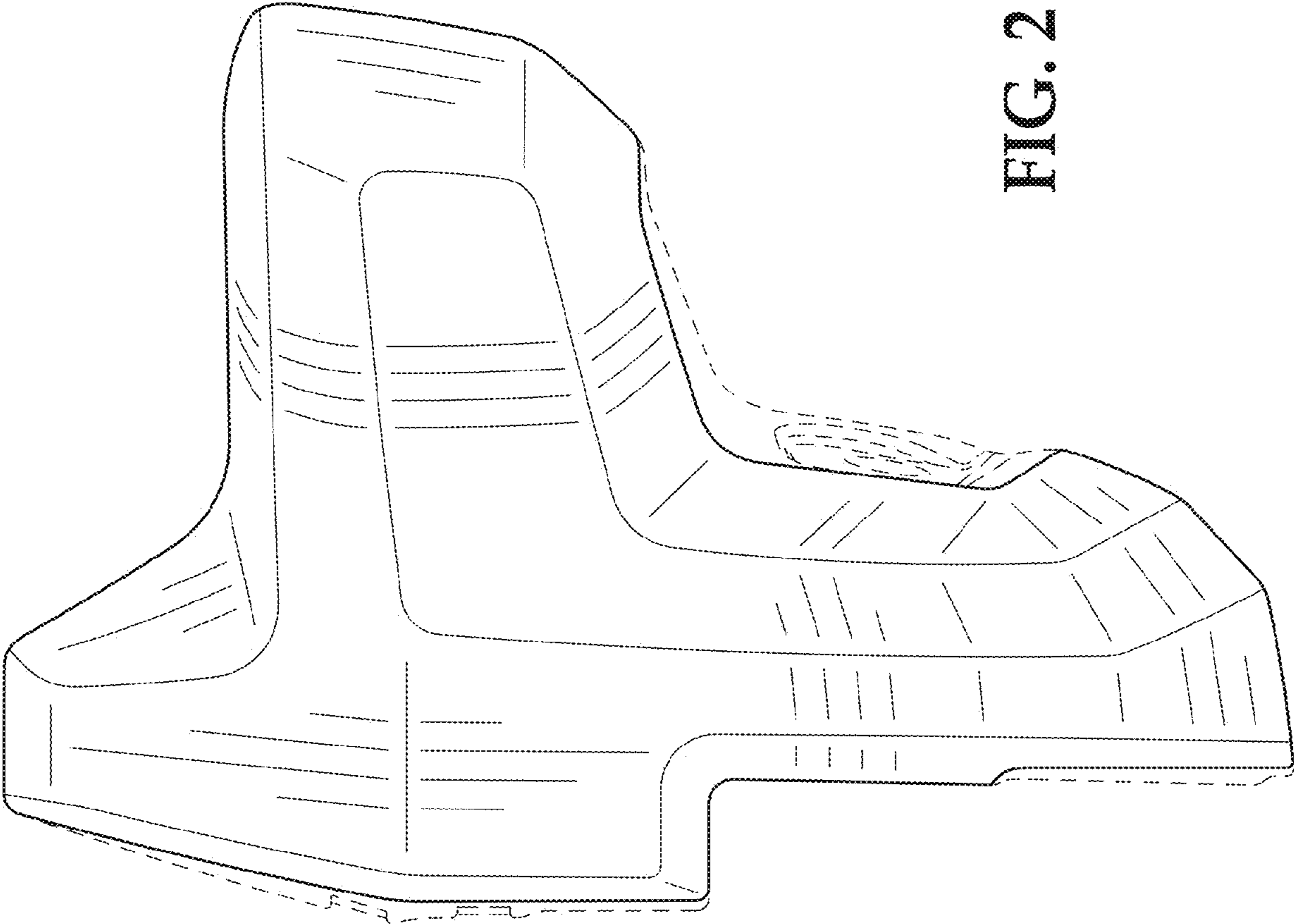


FIG. 2

FIG. 3

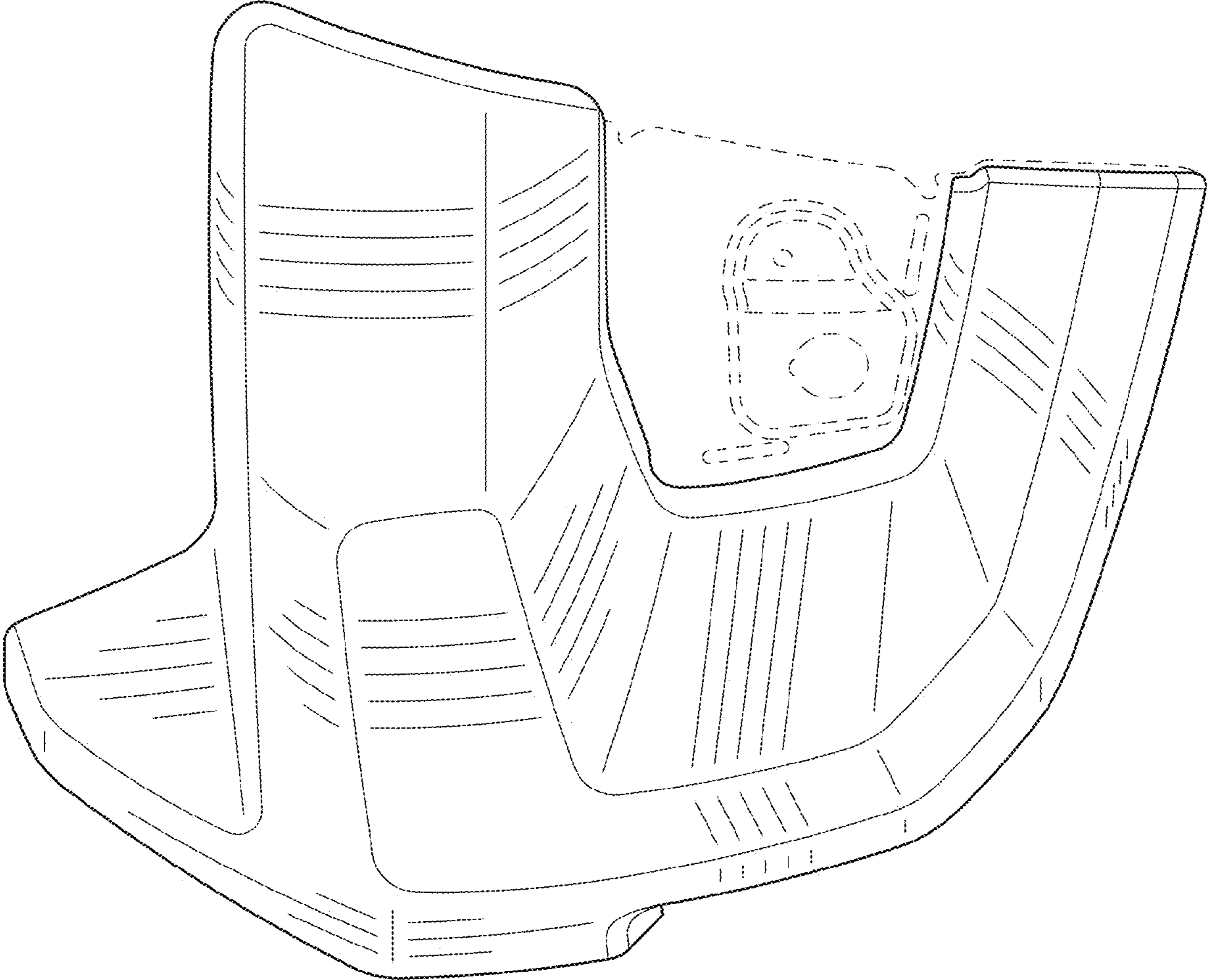
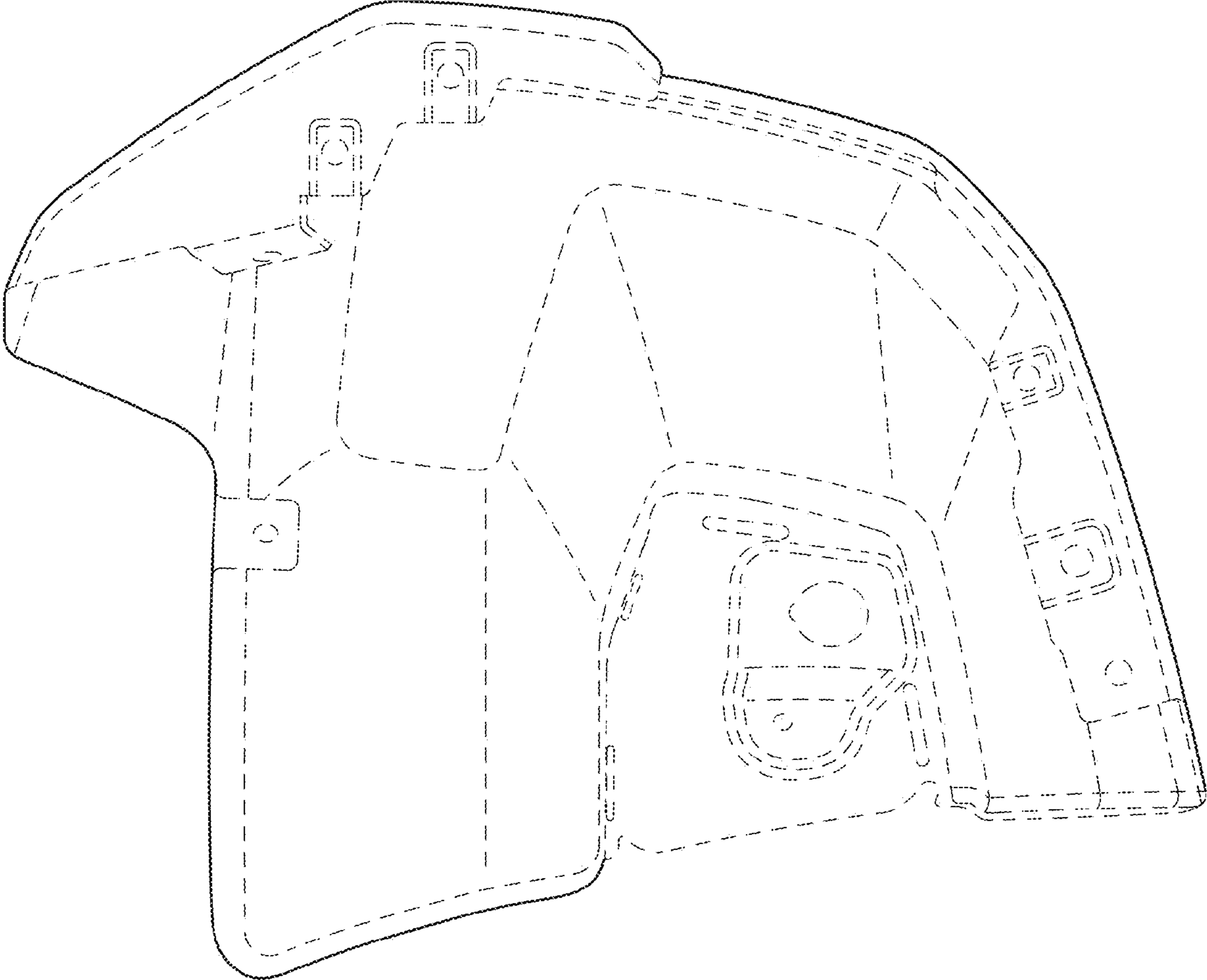


FIG. 4



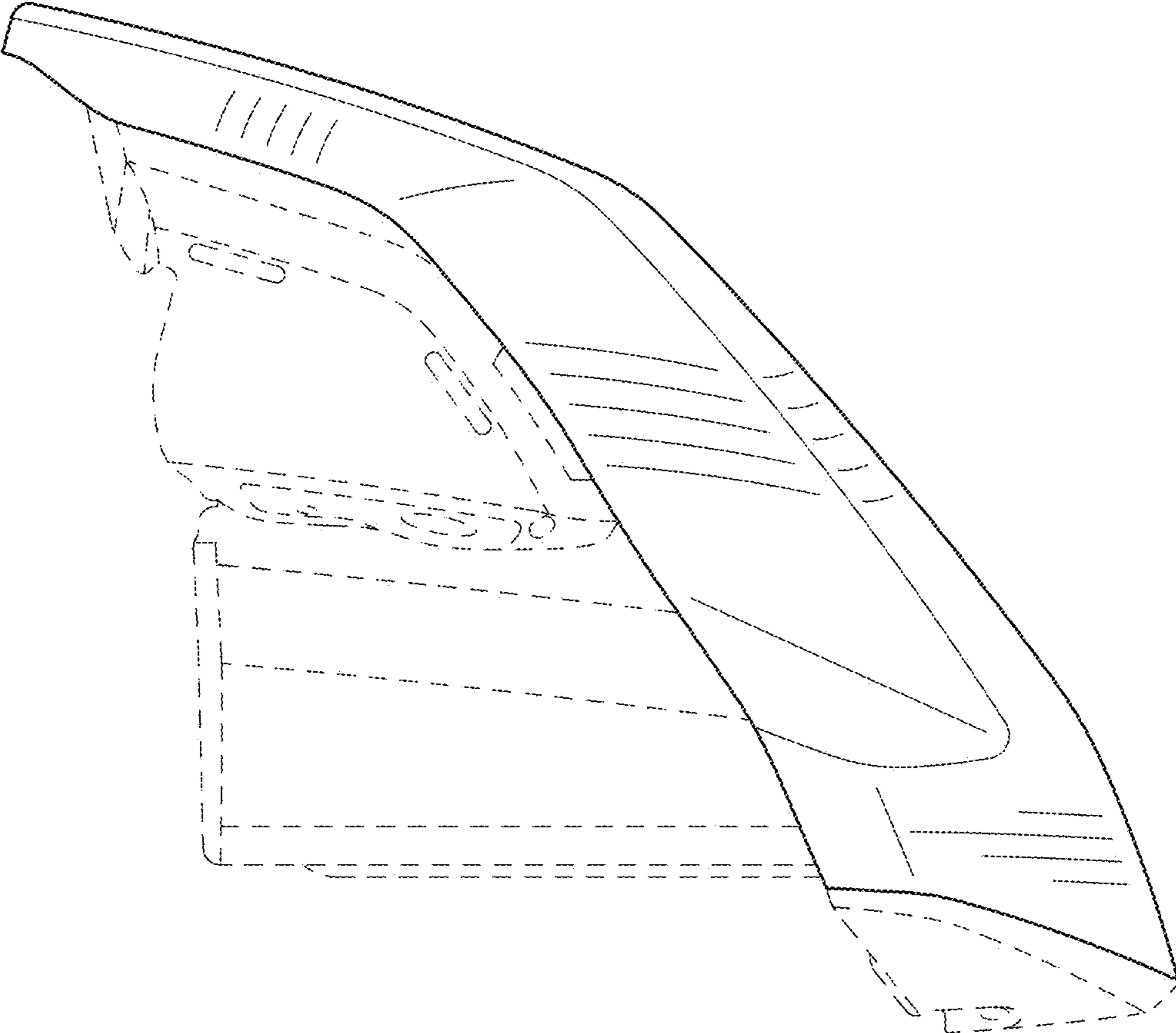


FIG. 5

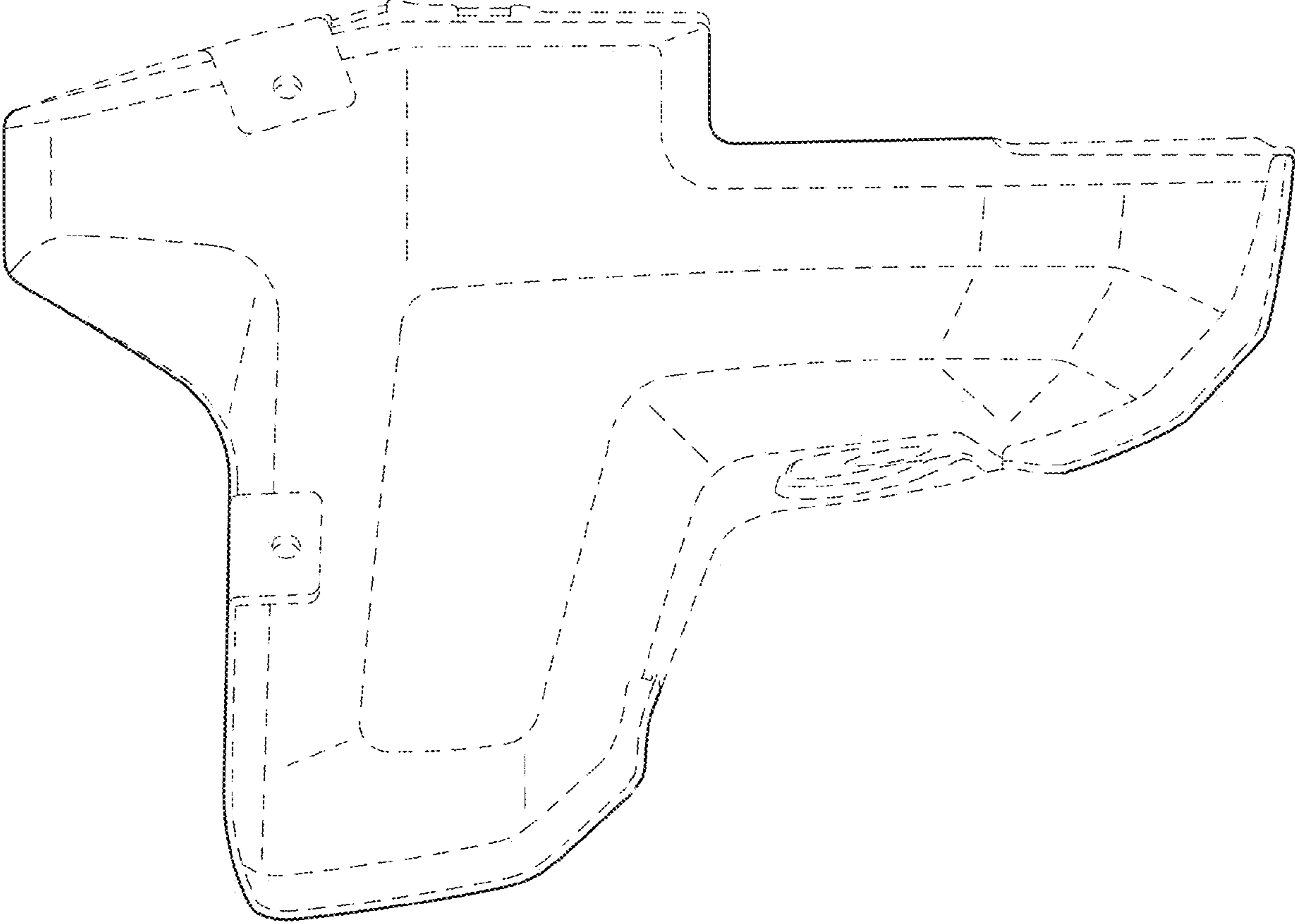


FIG. 6

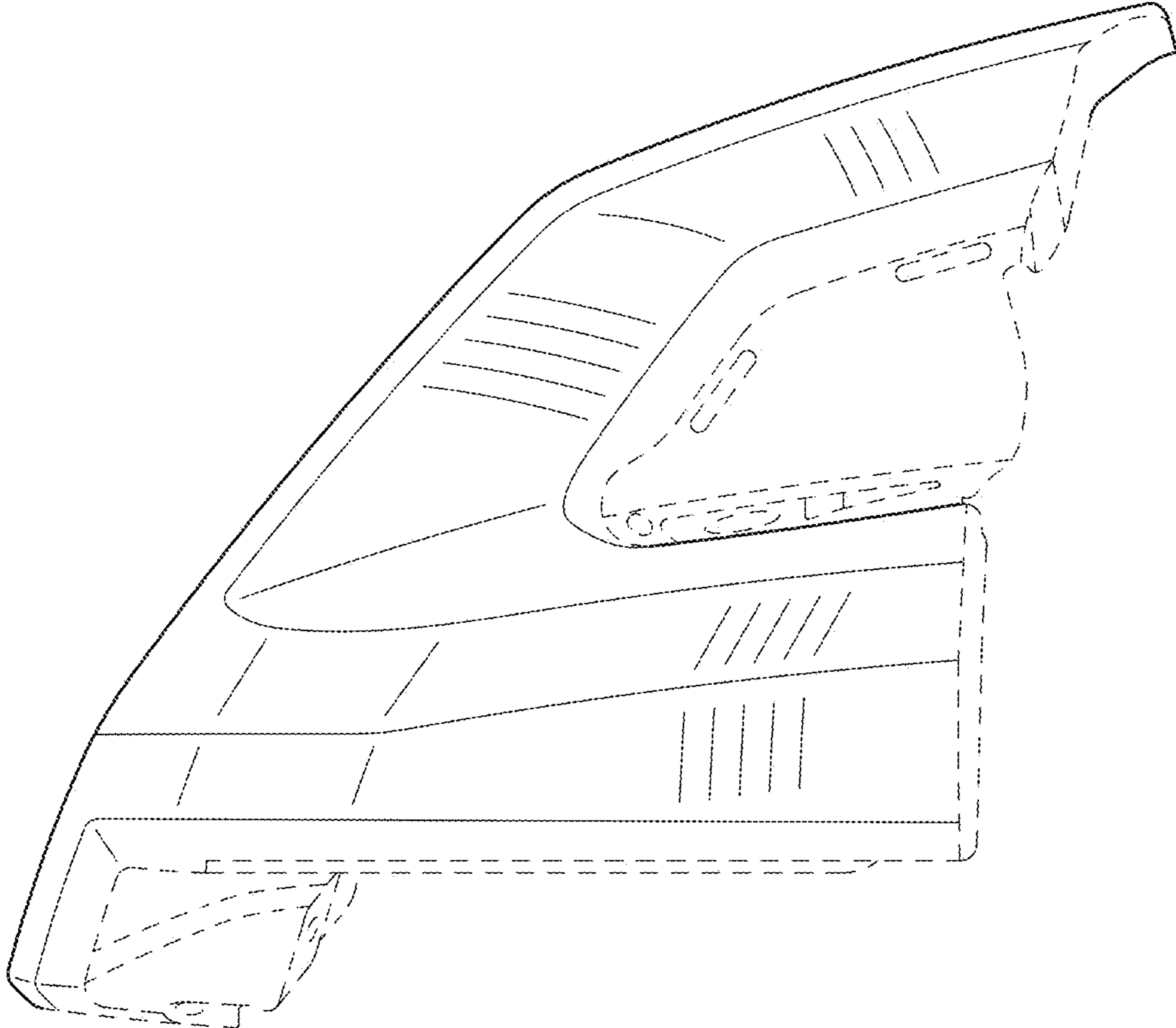


FIG. 7