



US00D969681S

(12) **United States Design Patent** (10) **Patent No.:** **US D969,681 S**  
**Ruiz** (45) **Date of Patent:** **\*\* Nov. 15, 2022**

(54) **VEHICLE FRONT CENTER BUMPER**  
(71) Applicant: **GM GLOBAL TECHNOLOGY OPERATIONS LLC**, Detroit, MI (US)  
(72) Inventor: **Gary W. Ruiz**, Royal Oak, MI (US)  
(73) Assignee: **GM Global Technology Operations LLC**, Detroit, MI (US)  
(\*\*) Term: **15 Years**  
(21) Appl. No.: **29/771,470**  
(22) Filed: **Feb. 23, 2021**  
(51) **LOC (13) Cl.** ..... **12-16**  
(52) **U.S. Cl.**  
USPC ..... **D12/169**  
(58) **Field of Classification Search**  
USPC ..... D12/169, 196, 86, 90-92, 163, 190, 98,  
D12/164; 293/102, 113, 115, 117, 120,  
293/193.11; 296/180.1, 180.2  
CPC ..... B60R 19/02; B60R 19/04; B62D 25/08  
See application file for complete search history.

D786,149 S 5/2017 Pevovar et al.  
D787,990 S 5/2017 Kozub et al.  
D792,293 S 7/2017 McCabe et al.  
D792,295 S 7/2017 McCabe et al.  
D792,815 S 7/2017 Kozub  
D792,816 S 7/2017 Kozub  
D793,292 S 8/2017 Lee  
D793,293 S 8/2017 Lee et al.  
D793,296 S 8/2017 Smith et al.  
D793,297 S 8/2017 Smith et al.  
D793,301 S 8/2017 Kozub  
D793,302 S 8/2017 Kozub  
D798,204 S 9/2017 Mainville  
D802,496 S 11/2017 Mainville  
D811,957 S 3/2018 Whitla et al.  
D811,960 S 3/2018 Nakamura  
D811,964 S 3/2018 Perkins  
D812,526 S 3/2018 Zipfel et al.  
D812,527 S 3/2018 Perkins  
D812,528 S 3/2018 Nakamura  
D813,109 S 3/2018 Zipfel et al.

(Continued)

Primary Examiner — Melody N Brown

(57) **CLAIM**

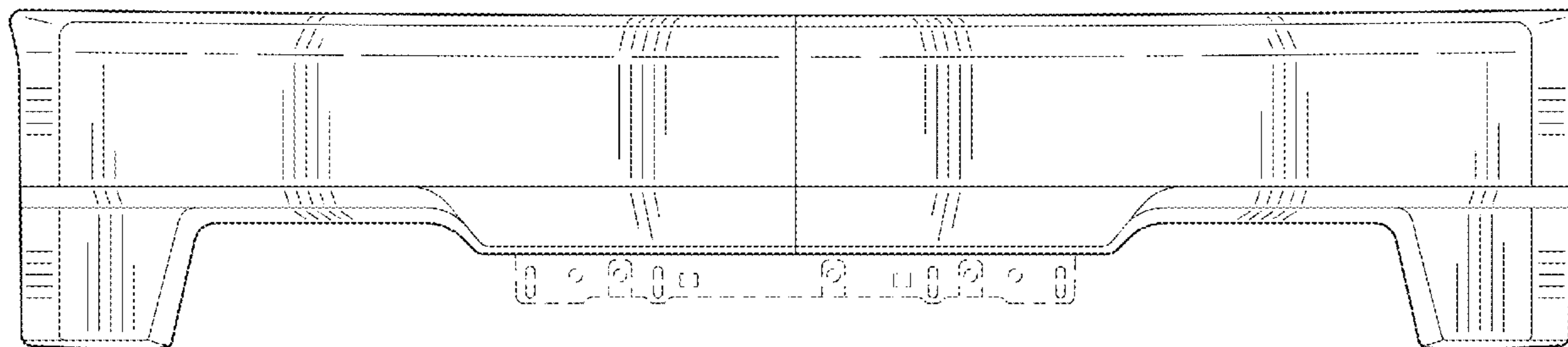
The ornamental design for a vehicle front center bumper, as shown and described.

**DESCRIPTION**

FIG. 1 is a front and left side perspective view of a vehicle front center bumper showing my new design; FIG. 2 is a front elevation view thereof; FIG. 3 is a left side elevation view thereof; FIG. 4 is a right side elevation view thereof; FIG. 5 is a top plan view thereof; FIG. 6 is a rear elevation view thereof; and, FIG. 7 is a bottom plan view thereof. The broken lines in the drawings depict portions of the vehicle front center bumper that form no part of the claimed design.

**1 Claim, 7 Drawing Sheets**

(56) **References Cited**  
U.S. PATENT DOCUMENTS  
D717,703 S 11/2014 Munson et al.  
D720,668 S 1/2015 Pevovar et al.  
D745,837 S 12/2015 Smith et al.  
D749,021 S 2/2016 Boniface et al.  
D753,034 S 4/2016 Thole et al.  
D753,559 S 4/2016 McMahan et al.  
D753,560 S 4/2016 McMahan et al.  
D771,532 S 11/2016 Kapitonov  
D771,533 S 11/2016 Kapitonov  
D772,766 S 11/2016 Kozub et al.  
D772,767 S 11/2016 Kim  
D775,007 S 12/2016 Thole et al.  
D775,010 S 12/2016 Kim et al.  
D776,583 S 1/2017 Scheer et al.



(56)

References Cited

U.S. PATENT DOCUMENTS

D813,734 S	3/2018	Nakamura	D855,509 S	8/2019	Wilkins
D814,369 S	4/2018	Loeb	D856,204 S	8/2019	Kapitonov
D816,558 S	5/2018	McMahan et al.	D856,206 S	8/2019	De Leon
D816,559 S	5/2018	McMahan et al.	D856,864 S	8/2019	Kapitonov
D816,561 S	5/2018	McMahan	D856,874 S	8/2019	Kozub
D816,562 S	5/2018	Whitla et al.	D856,875 S	8/2019	Kozub
D816,564 S	5/2018	Kim	D860,075 S	9/2019	Riggs et al.
D816,566 S	5/2018	Loeb	D860,076 S	9/2019	Bartels et al.
D818,406 S	5/2018	McMahan et al.	D860,078 S	9/2019	O'Donnell et al.
D820,173 S	6/2018	McMahan	D862,337 S	10/2019	Pinazzo et al.
D820,174 S	6/2018	Whitla et al.	D863,140 S	10/2019	Wilkins et al.
D821,941 S	7/2018	Mack et al.	D863,147 S	10/2019	Zipfel
D821,950 S	7/2018	Kozub	D863,149 S	10/2019	Luke et al.
D822,550 S	7/2018	Wassell et al.	D863,150 S	10/2019	Krieg et al.
D826,114 S	8/2018	Smith et al.	D863,152 S	10/2019	Kozub
D826,803 S	8/2018	Smith et al.	D864,057 S	10/2019	Krieg et al.
D837,109 S	1/2019	Kozub et al.	D867,232 S	11/2019	Izard
D840,293 S	2/2019	Koo et al.	D868,639 S	12/2019	Wilkins et al.
D841,532 S	2/2019	Koo et al.	D868,650 S	12/2019	Gifford
D843,275 S	3/2019	Koo et al.	D868,651 S	12/2019	Gifford
D845,187 S	4/2019	Pinazzo et al.	D868,656 S	12/2019	De Leon
D845,190 S	4/2019	Zipfel	D870,619 S	12/2019	Gifford
D845,196 S	4/2019	Kozub	D873,733 S	1/2020	Kozub
D847,042 S	4/2019	Pinazzo et al.	D874,362 S	2/2020	Izard
D847,044 S	4/2019	Zipfel	D877,001 S	3/2020	Izard
D847,704 S	5/2019	Zipfel	D877,002 S	3/2020	Izard
D847,705 S	5/2019	Zipfel	D877,003 S	3/2020	Izard
D847,707 S	5/2019	Park Cheng et al.	D877,004 S	3/2020	Wilkins et al.
D847,714 S	5/2019	Mack et al.	D877,007 S	3/2020	Zipfel
D848,318 S	5/2019	McMahan et al.	D877,009 S	3/2020	Luke et al.
D848,322 S	5/2019	Mack et al.	D881,083 S	4/2020	Blanski et al.
D848,323 S	5/2019	Mack et al.	D882,466 S	4/2020	Yong et al.
D848,324 S	5/2019	Thurber et al.	D885,265 S	5/2020	Zipfel
D848,325 S	5/2019	Thurber et al.	D887,323 S	6/2020	Zipfel
D850,989 S	6/2019	Kozub	D889,331 S	7/2020	O'Donnell et al.
D851,555 S	6/2019	Whitla et al.	D892,003 S	8/2020	Zipfel
D851,556 S	6/2019	Thurber et al.	D894,060 S	8/2020	Izard
D851,557 S	6/2019	Thurber et al.	D894,061 S	8/2020	Zipfel
D851,560 S	6/2019	Yong et al.	D902,802 S	11/2020	Choi et al.
D851,561 S	6/2019	Yong et al.	D902,803 S	11/2020	Choi et al.
D853,904 S	7/2019	Koo et al.	D902,817 S	11/2020	Choi et al.
D854,979 S	7/2019	Krieg et al.	D902,818 S	11/2020	Choi et al.
D855,508 S	8/2019	Wilkins et al.	D903,567 S	12/2020	Choi et al.
			D925,412 S *	7/2021	Ponomarenko ..... D12/169
			D930,525 S *	9/2021	Lee ..... D12/169

\* cited by examiner

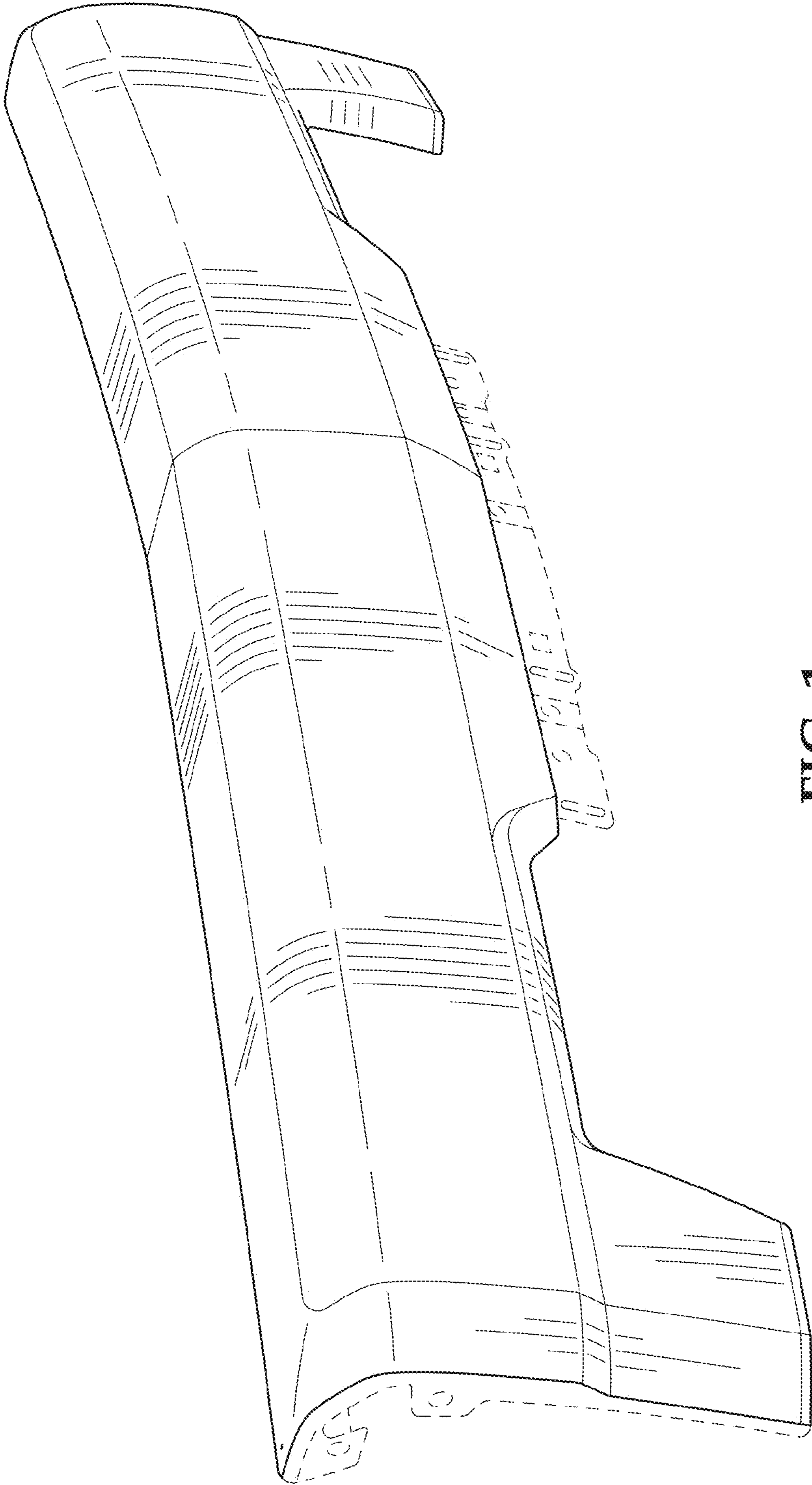


FIG. 1

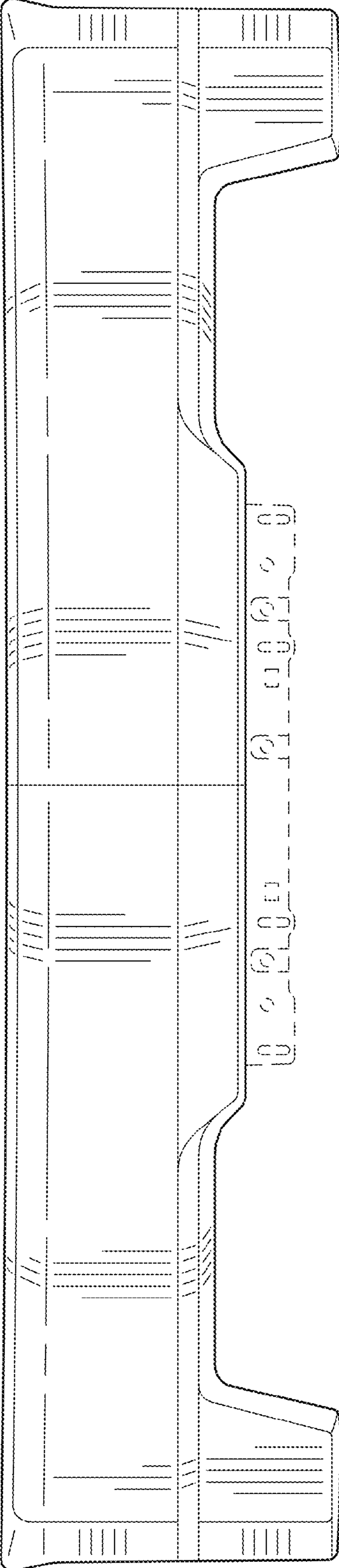


FIG. 2

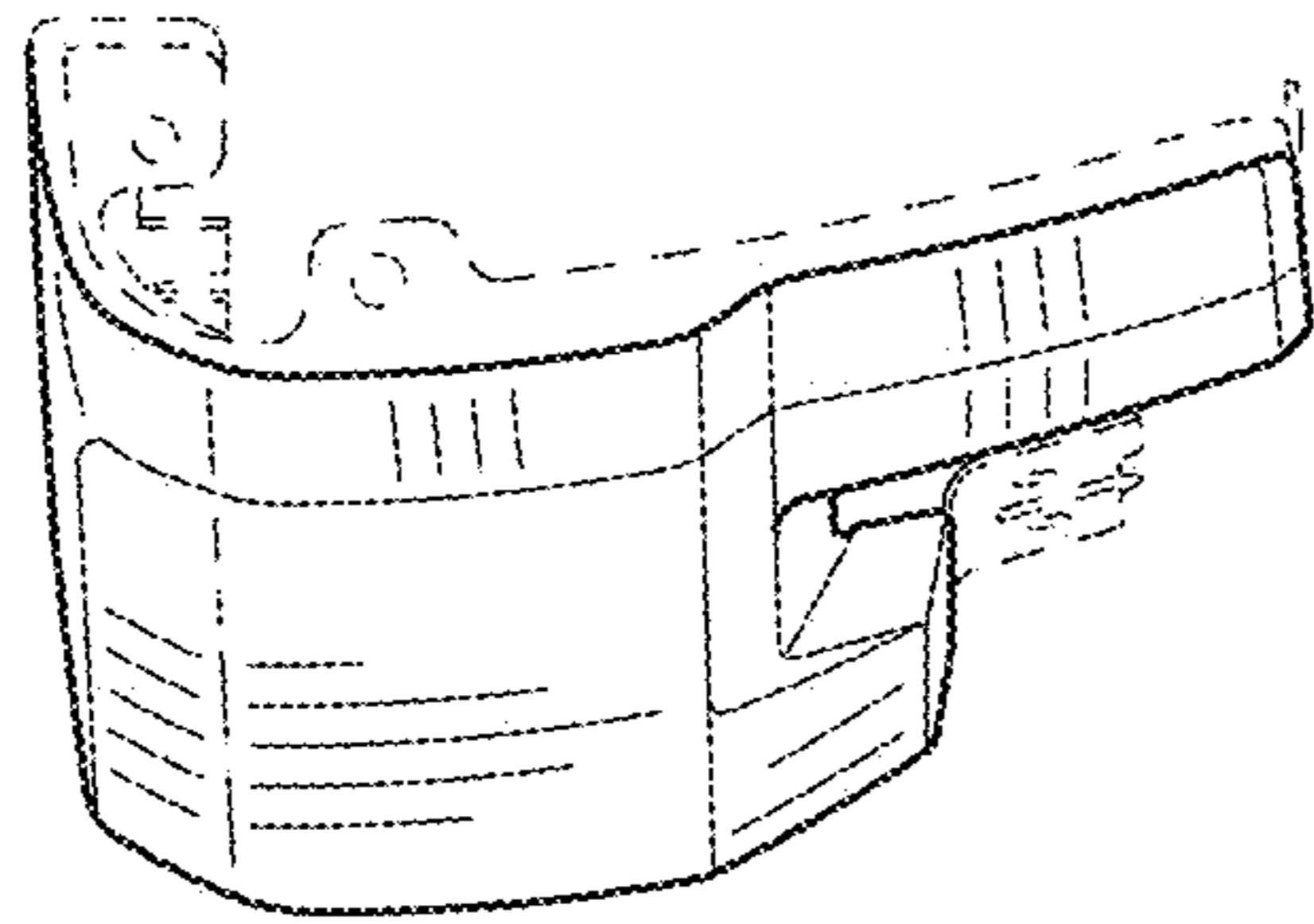


FIG. 3

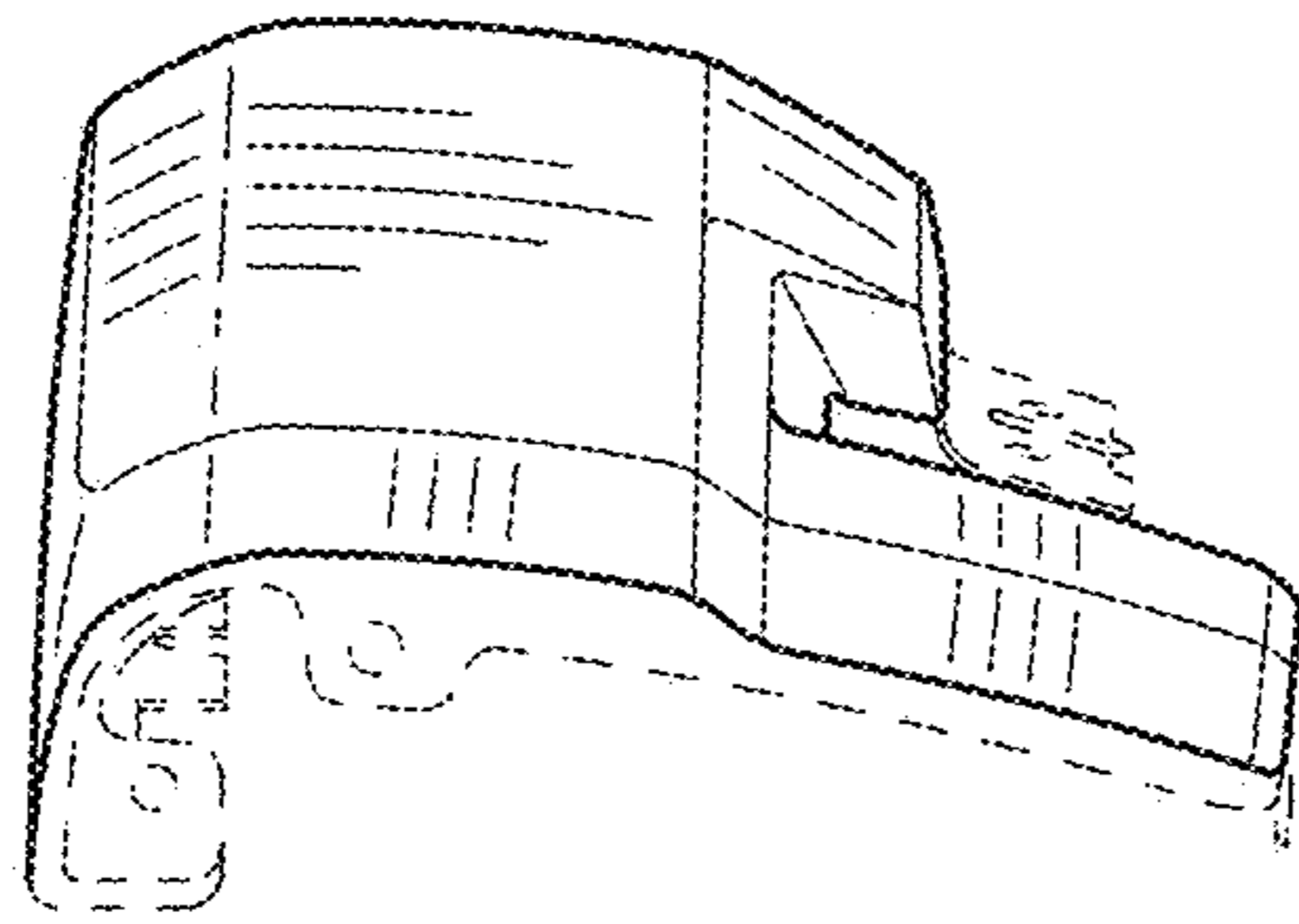


FIG. 4

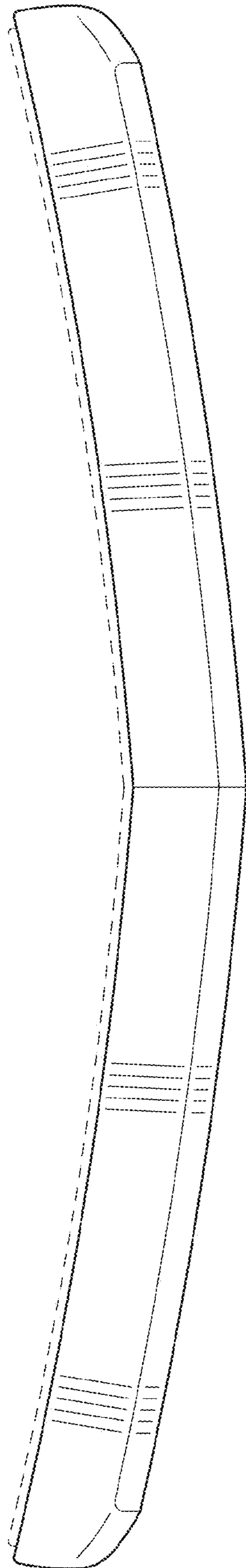


FIG. 5

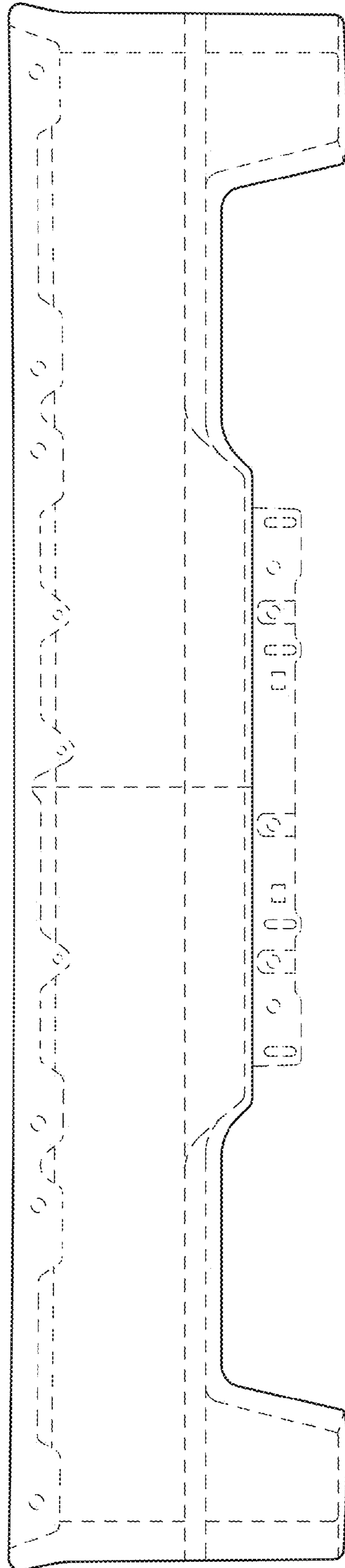


FIG. 6



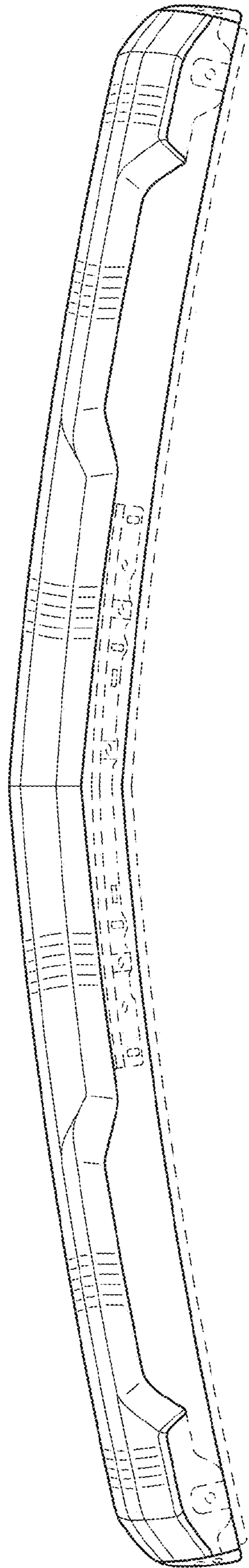


FIG. 7