

US00D969677S

(12) **United States Design Patent** (10) **Patent No.:** **US D969,677 S**  
**Smith** (45) **Date of Patent:** **\*\* Nov. 15, 2022**

(54) **MOUNTING BRACKET**  
(71) Applicant: **Firestone Industrial Products Company, LLC**, Nashville, TN (US)  
(72) Inventor: **Scott A. Smith**, Brownsburg, IN (US)  
(73) Assignee: **FIRESTONE INDUSTRIAL PRODUCTS COMPANY, LLC**, Nashville, MA (US)  
(\*\*) Term: **15 Years**

D523,803 S \* 6/2006 Smith ..... D12/223  
D557,117 S \* 12/2007 Cannaverde ..... D8/354  
D579,402 S \* 10/2008 Ball ..... D12/223  
D605,102 S \* 12/2009 Peschmann ..... D12/223  
D611,887 S \* 3/2010 Peschmann ..... D12/223  
D649,016 S \* 11/2011 Rasmussen ..... D8/354  
D659,522 S \* 5/2012 Noturno ..... F16B 5/0028  
D8/382  
D663,612 S \* 7/2012 Pelc ..... D8/382  
D671,816 S \* 12/2012 Stone ..... D8/349  
D700,832 S \* 3/2014 Ng ..... D8/380  
D700,833 S \* 3/2014 Ng ..... D8/380  
D737,124 S \* 8/2015 Sasanecki ..... D8/366

(Continued)

(21) Appl. No.: **29/712,053**  
(22) Filed: **Nov. 5, 2019**  
(51) **LOC (13) Cl.** ..... **12-16**  
(52) **U.S. Cl.**  
USPC ..... **D12/159**; D12/223; D8/382; D8/366  
(58) **Field of Classification Search**  
USPC ..... D8/366, 382, 349, 354, 371, 380, 381,  
D8/373; D12/223, 159, 160  
CPC .... B60G 11/28; B60G 15/14; B60G 2206/40;  
F16F 2230/0005; F16F 2230/32; F16F  
2230/36; F16F 9/54  
See application file for complete search history.

FOREIGN PATENT DOCUMENTS

EP 3482978 A2 \* 5/2019 ..... B60G 5/005

*Primary Examiner* — Sheryl Lane  
*Assistant Examiner* — Ieisha N Price  
(74) *Attorney, Agent, or Firm* — Thomas R. Kingsbury;  
Dugan Law Office, LLC

(57) **CLAIM**

The ornamental design for a mounting bracket, as shown and described.

(56) **References Cited**

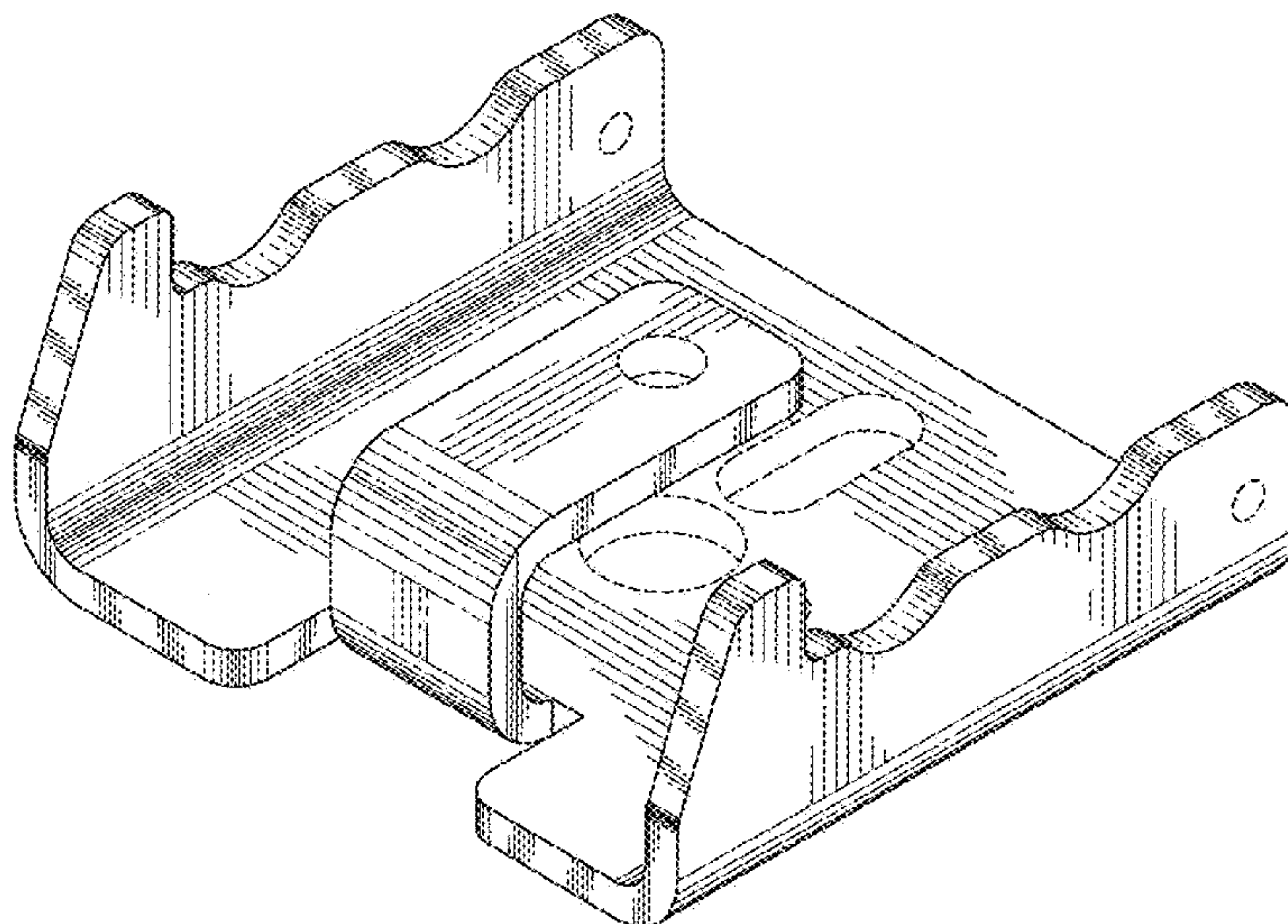
U.S. PATENT DOCUMENTS

D57,851 S \* 5/1921 Naumann ..... D12/159  
3,897,163 A \* 7/1975 Holmes ..... F16G 11/046  
24/130  
4,117,644 A \* 10/1978 Weinar ..... E04F 13/0844  
52/363  
4,498,272 A \* 2/1985 Adams ..... E04F 13/0844  
52/363  
4,831,808 A \* 5/1989 Wynar ..... E04B 9/245  
52/281  
4,844,651 A \* 7/1989 Partridge ..... E04B 5/12  
403/386  
4,991,373 A \* 2/1991 Shaub ..... E04B 9/241  
411/459  
D398,219 S \* 9/1998 Campman ..... D8/363

**DESCRIPTION**

FIG. 1 is a top perspective view of a mounting bracket showing my new design;  
FIG. 2 is a bottom perspective view thereof;  
FIG. 3 is a front elevation view thereof;  
FIG. 4 is a rear elevation view thereof;  
FIG. 5 is a top plan view thereof;  
FIG. 6 is a bottom plan view thereof;  
FIG. 7 is a left side elevation view thereof; and,  
FIG. 8 is a right side elevation view thereof.  
The broken lines in the drawings illustrate portions of the mounting bracket and form no part of the claimed design.

**1 Claim, 8 Drawing Sheets**



(56)

**References Cited**

U.S. PATENT DOCUMENTS

D738,197 S \* 9/2015 Schaffert ..... D8/366  
D758,174 S \* 6/2016 Lee ..... D8/382  
D768,466 S \* 10/2016 Simmons ..... D8/354  
D782,292 S \* 3/2017 Wessel ..... D8/382  
D787,916 S \* 5/2017 Yuan ..... D8/354  
D829,537 S \* 10/2018 Smith ..... D8/366  
D861,468 S \* 10/2019 Bowser ..... D8/382  
10,801,537 B2 \* 10/2020 Getsiv ..... F16B 7/0473  
D902,701 S \* 11/2020 Smith ..... D8/366  
D902,702 S \* 11/2020 Smith ..... D8/366  
D917,370 S \* 4/2021 Harriton ..... D12/223  
D917,371 S \* 4/2021 Harriton ..... D12/223  
D928,595 S \* 8/2021 Smith ..... D8/366  
2010/0205895 A1 \* 8/2010 Orchard ..... E04F 15/02  
52/712  
2015/0152903 A1 \* 6/2015 Lin ..... H05K 7/183  
248/213.2  
2021/0094375 A1 \* 4/2021 Smith ..... B60G 11/27

\* cited by examiner

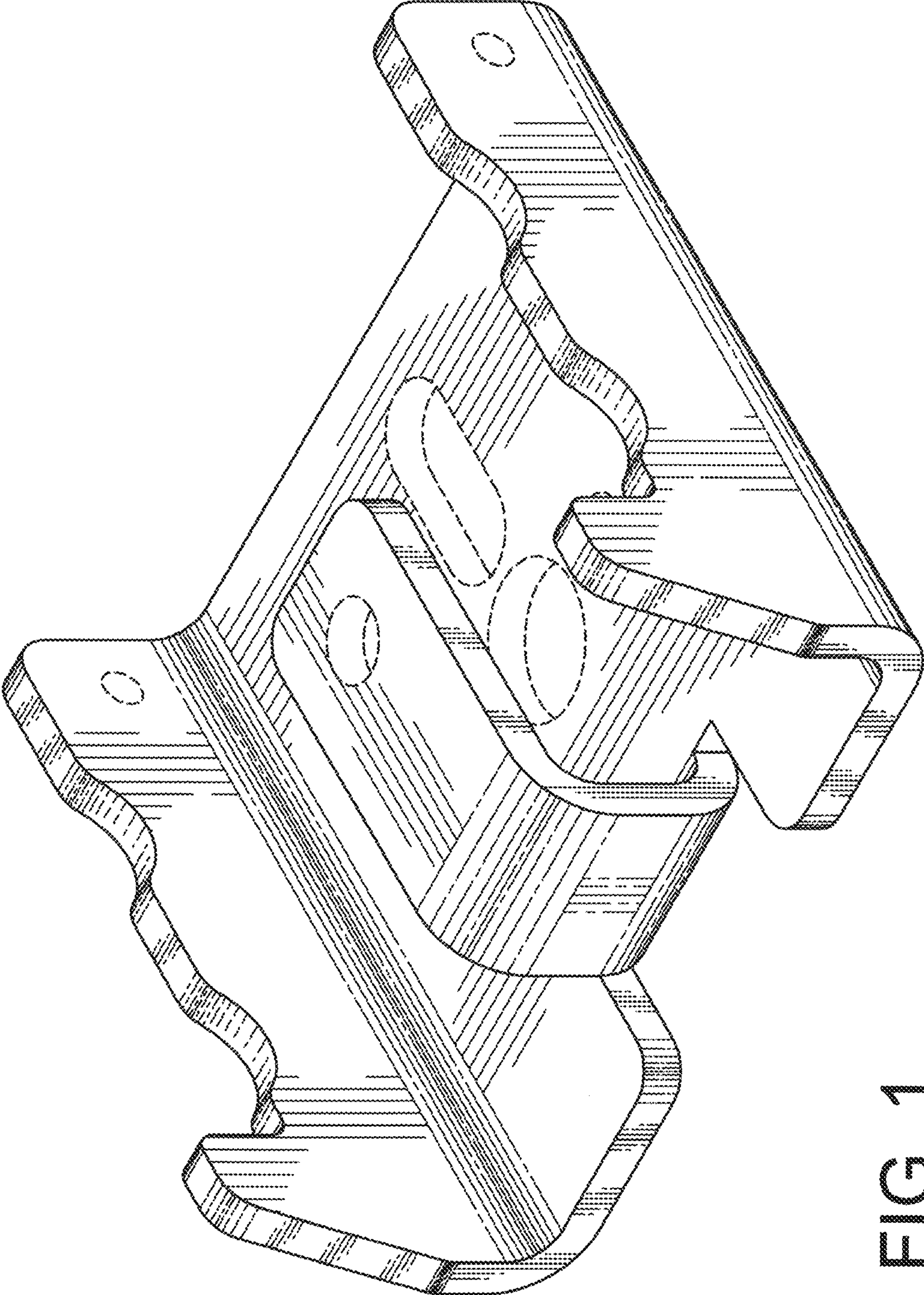


FIG. 1



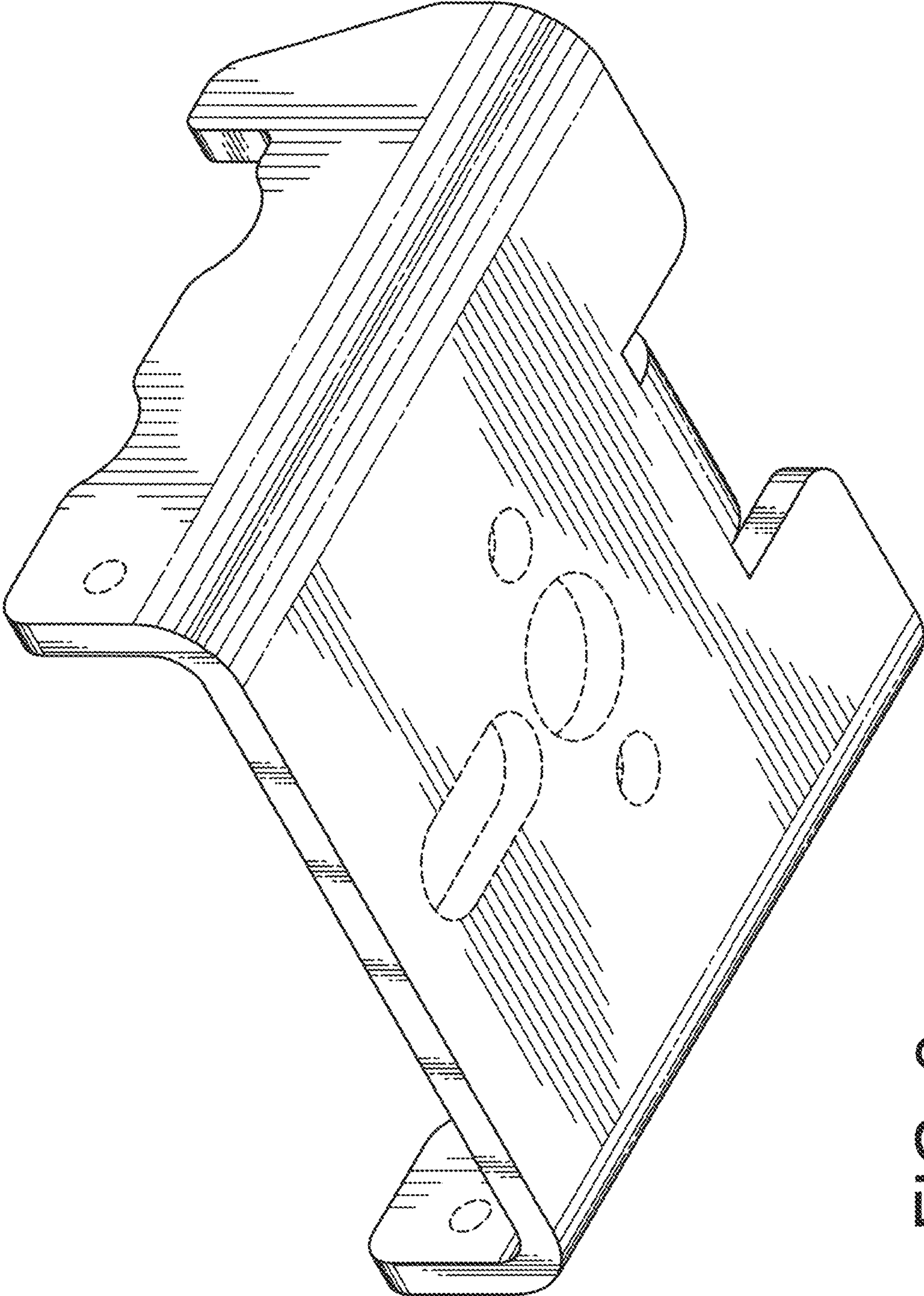


FIG. 2

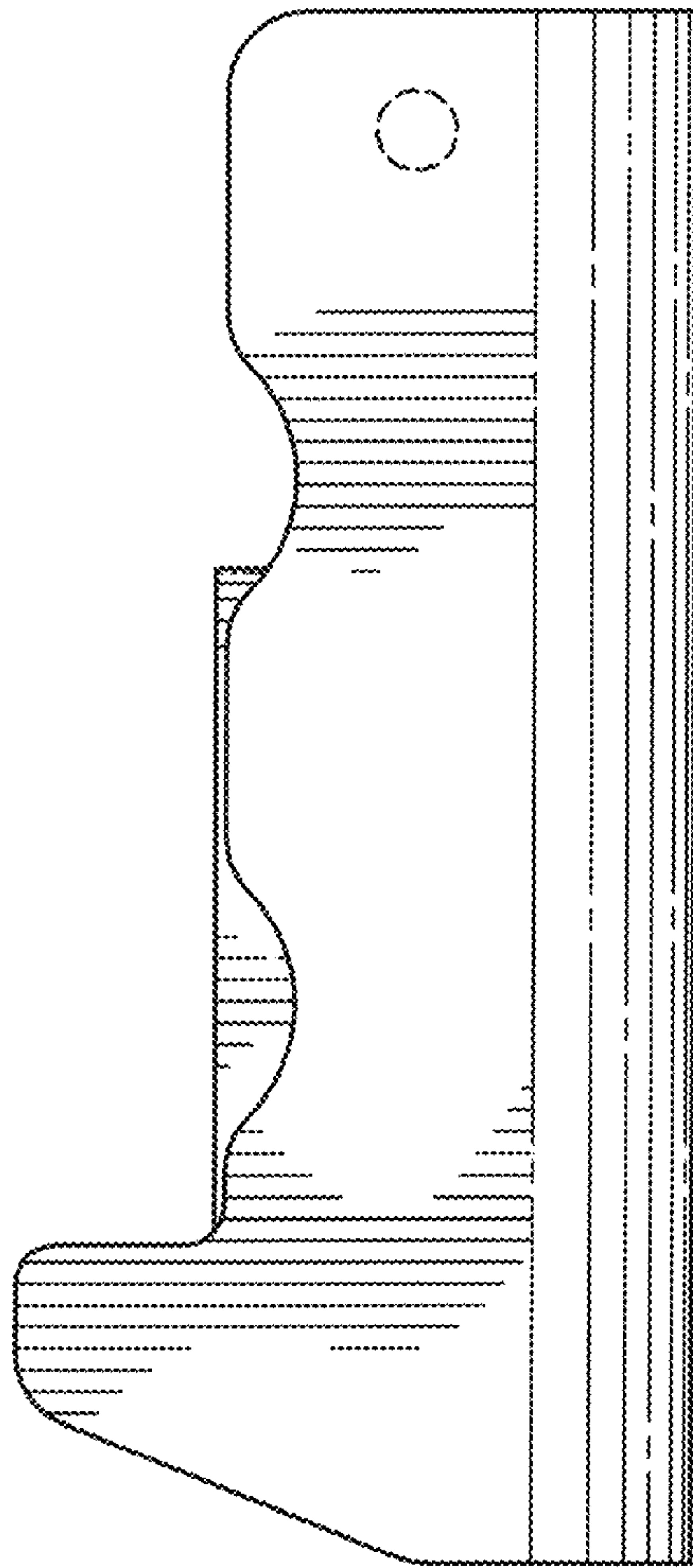


FIG. 3

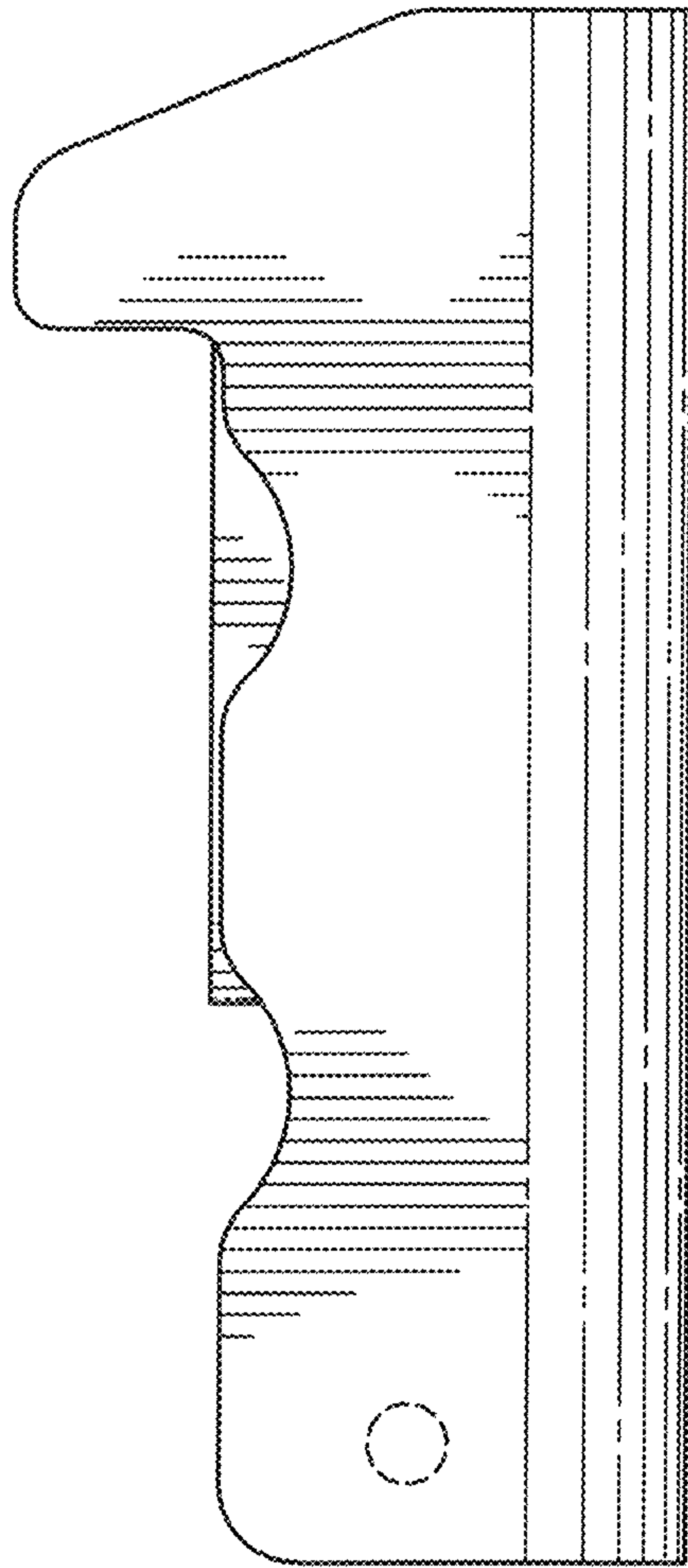


FIG. 4

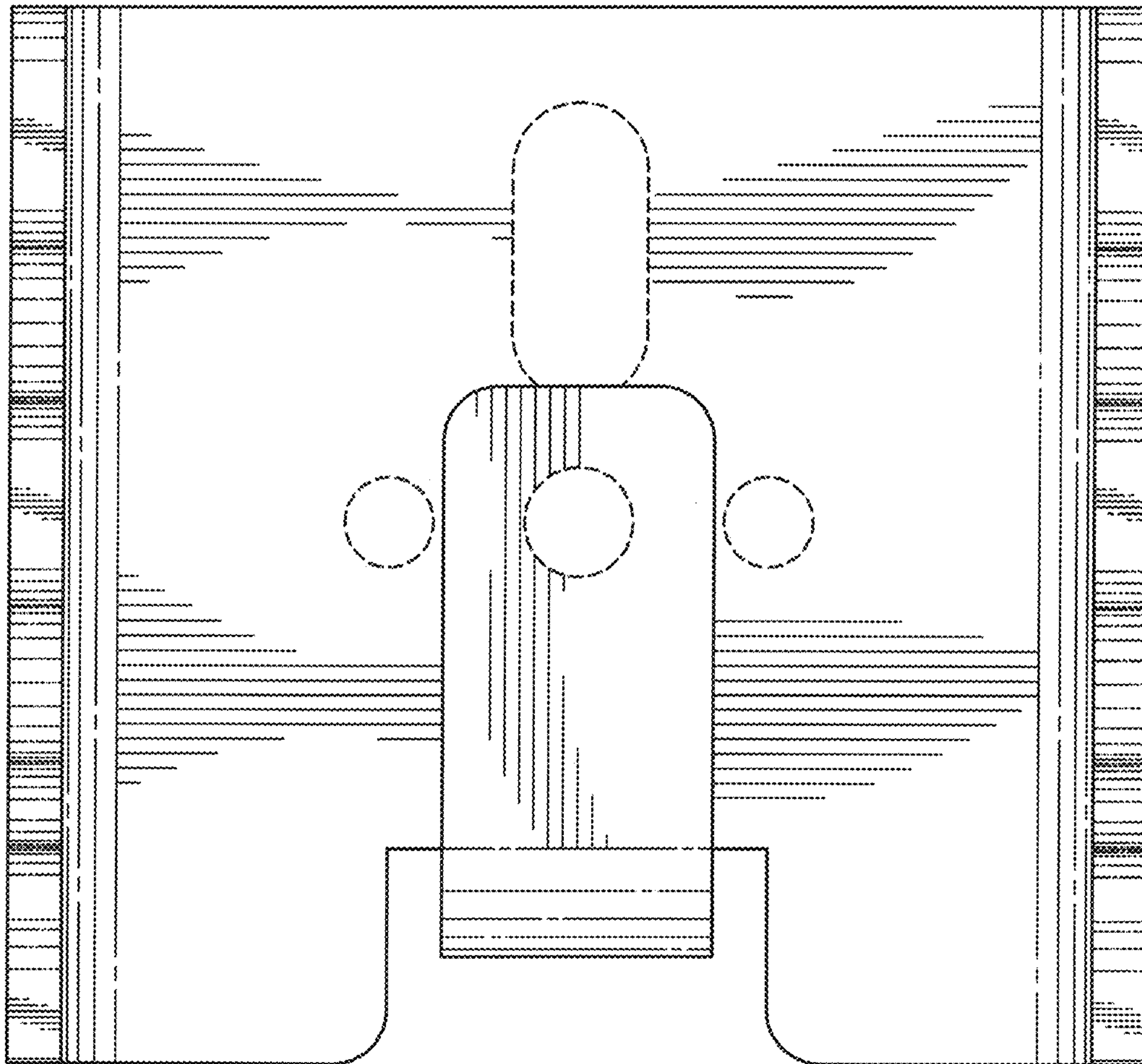


FIG. 5



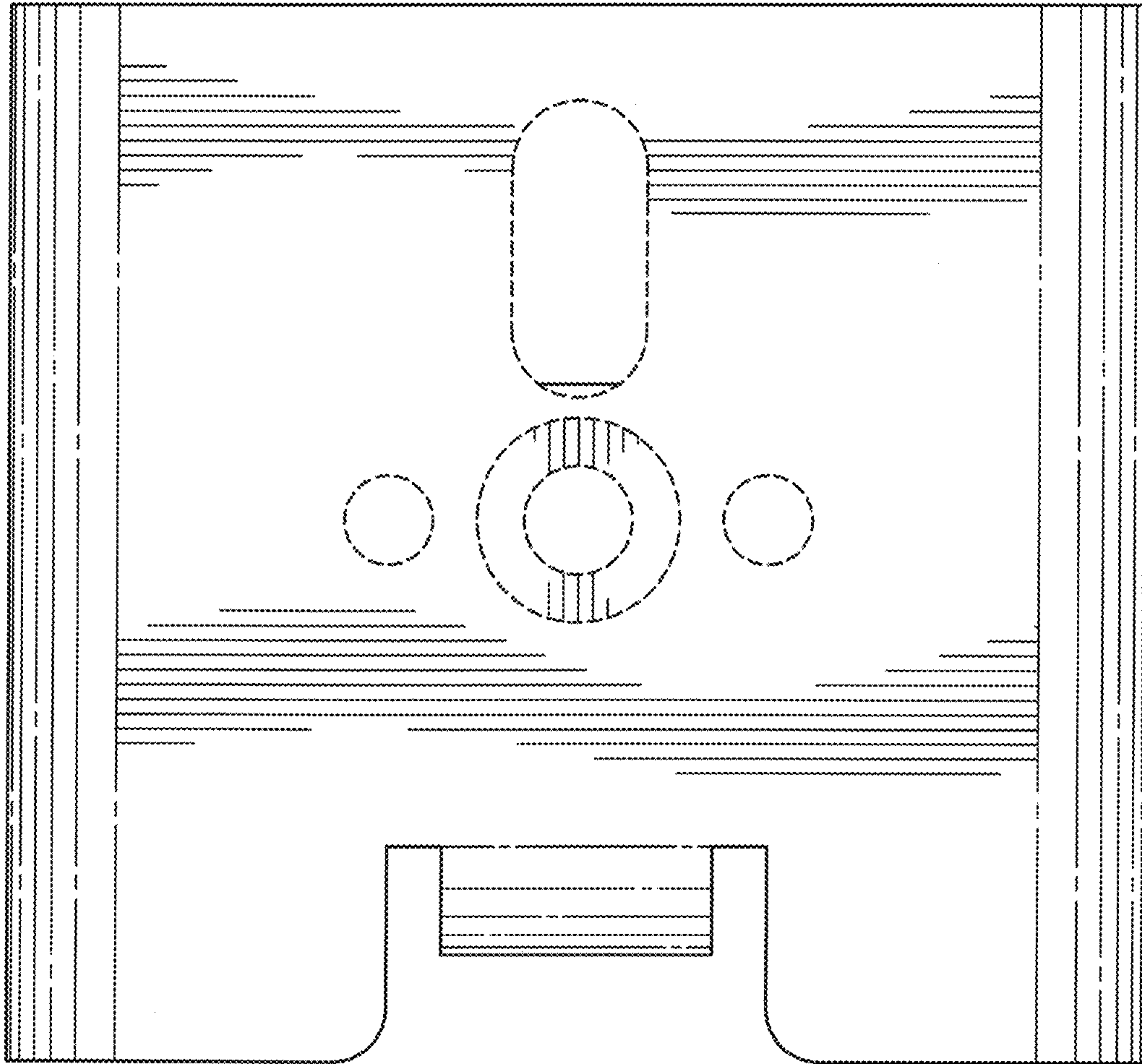


FIG. 6



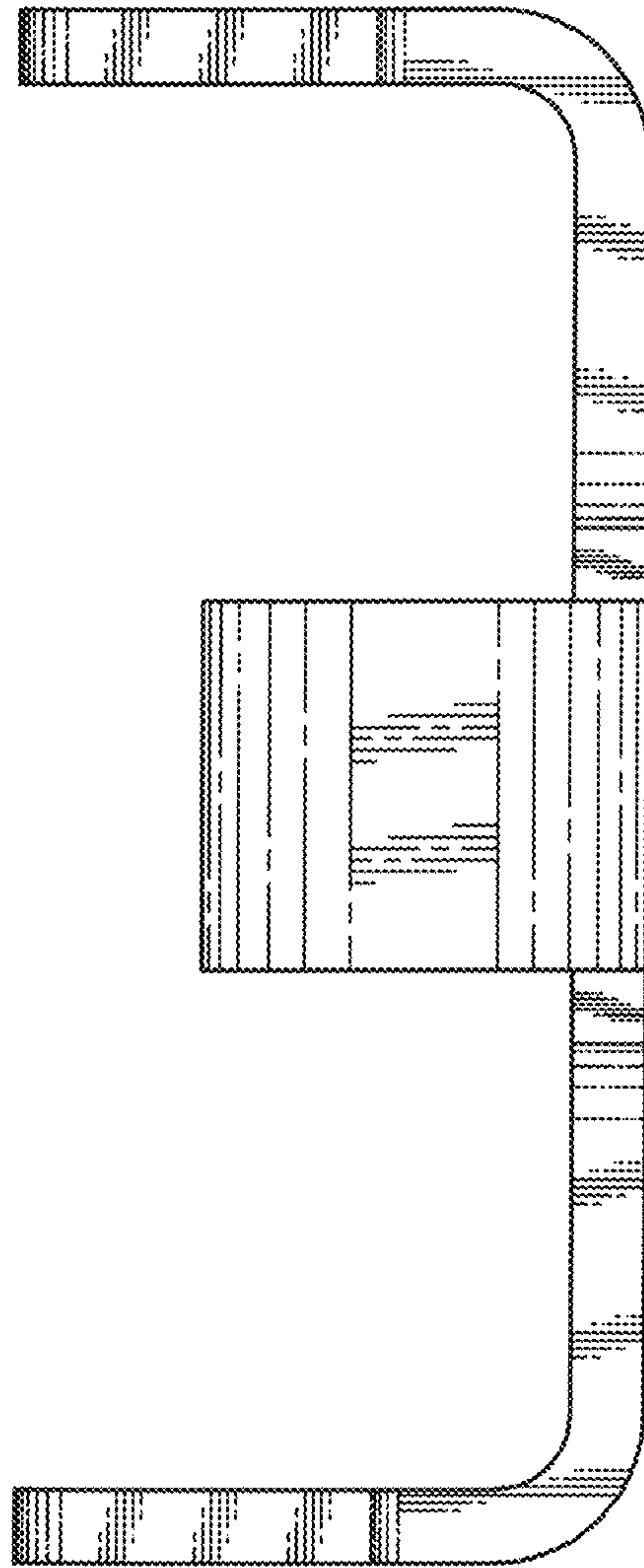


FIG. 7

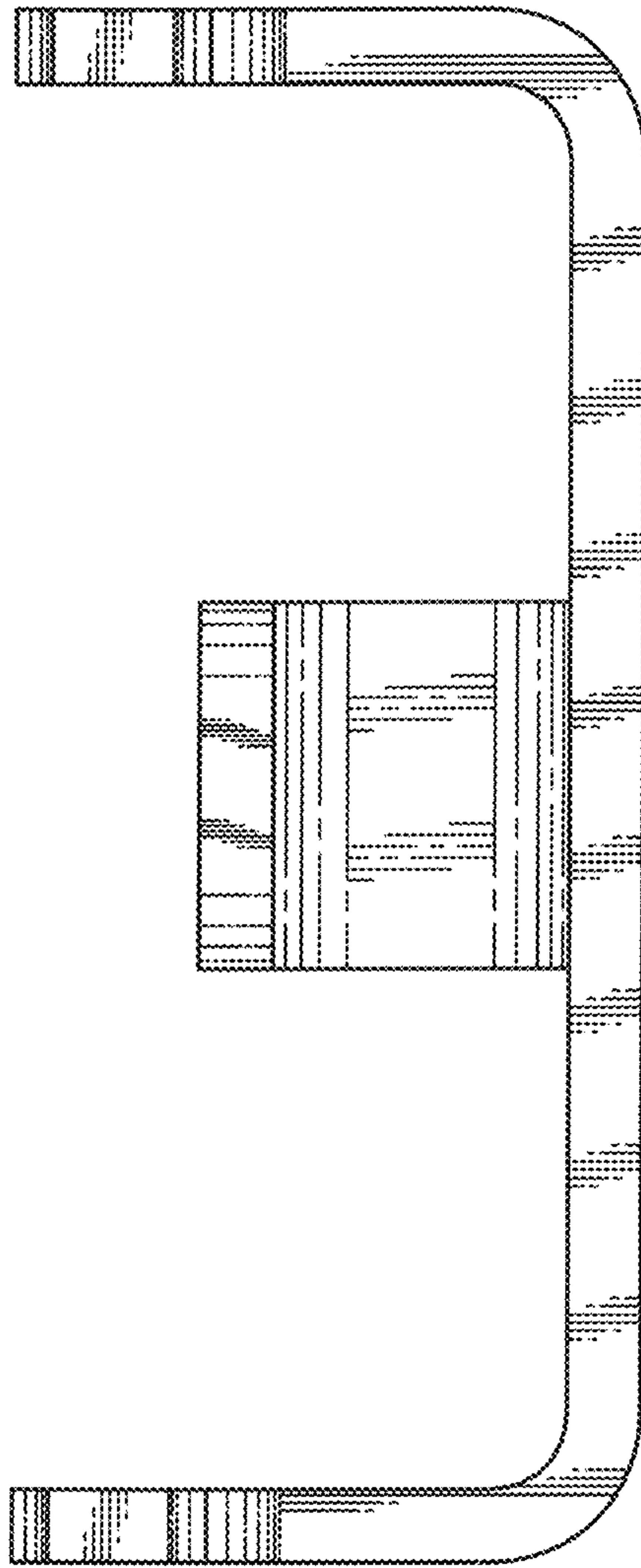


FIG. 8